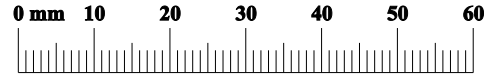
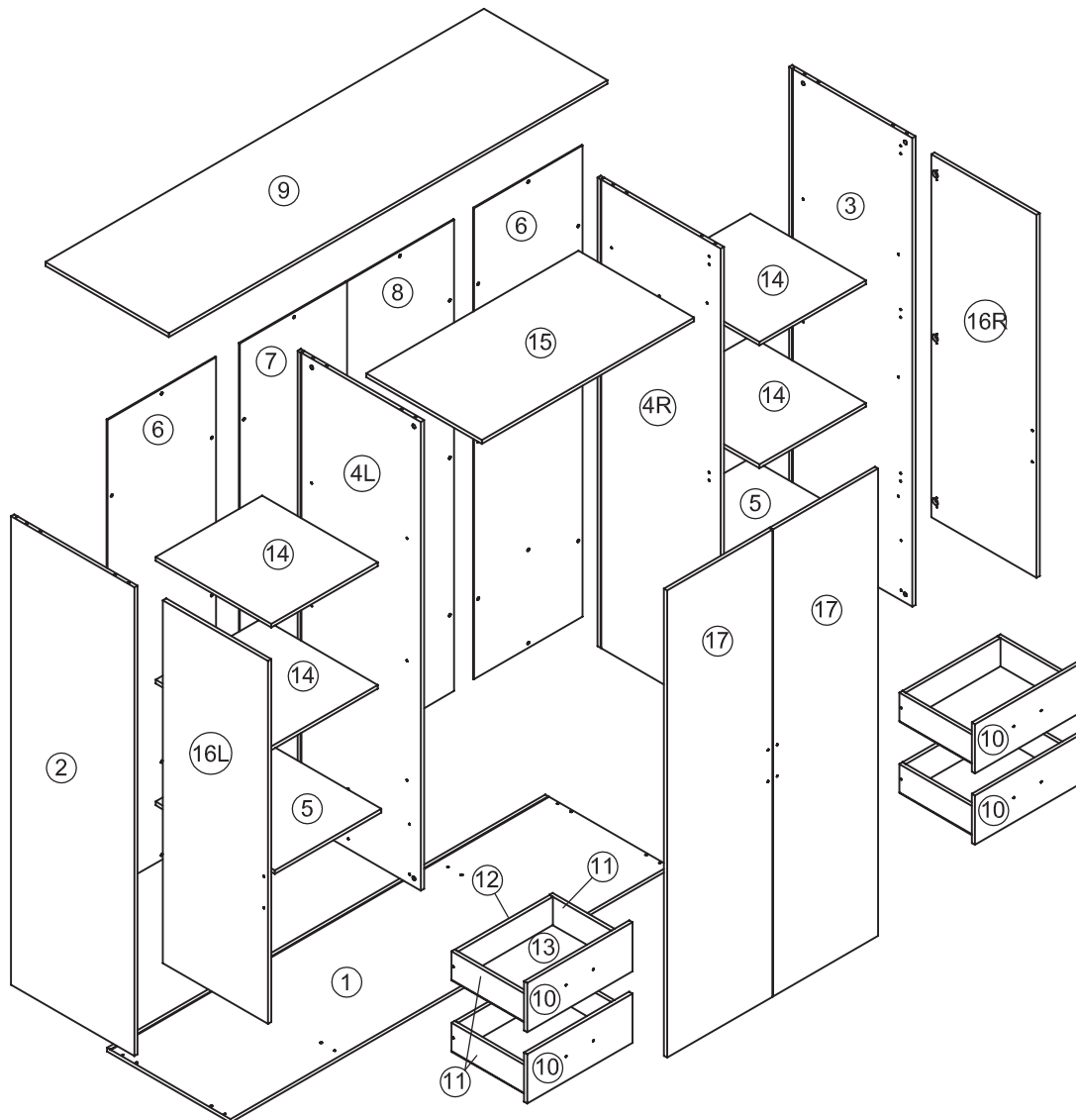


1/4

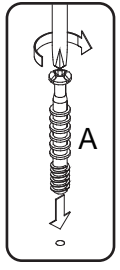
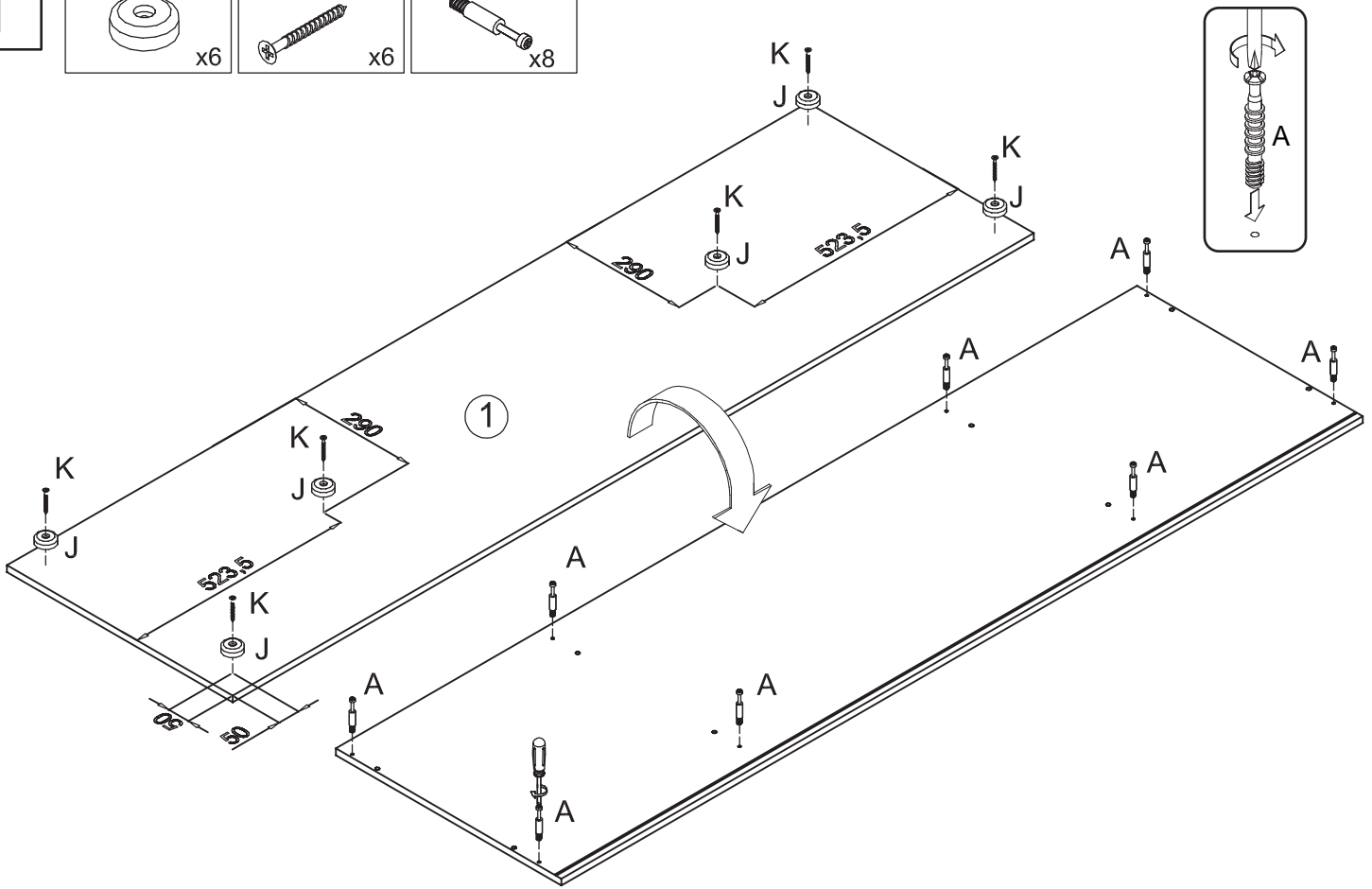
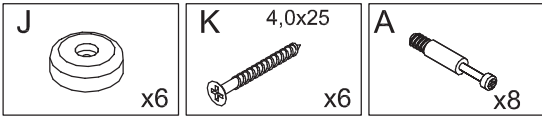


Nr	Ausmaß	Stücke	Colli
1	1544x580x15	1	4/4
2	1905x579x15	1	3/4
3	1905x579x15	1	3/4
4L,4R	1905x579x15	2	2/4
5	500x560x15	2	2/4
6	1915x510x3	2	4/4
7	1915x503x3	1	4/4
8	1915x503x3	1	4/4
9	1544x580x15	1	4/4

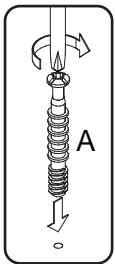
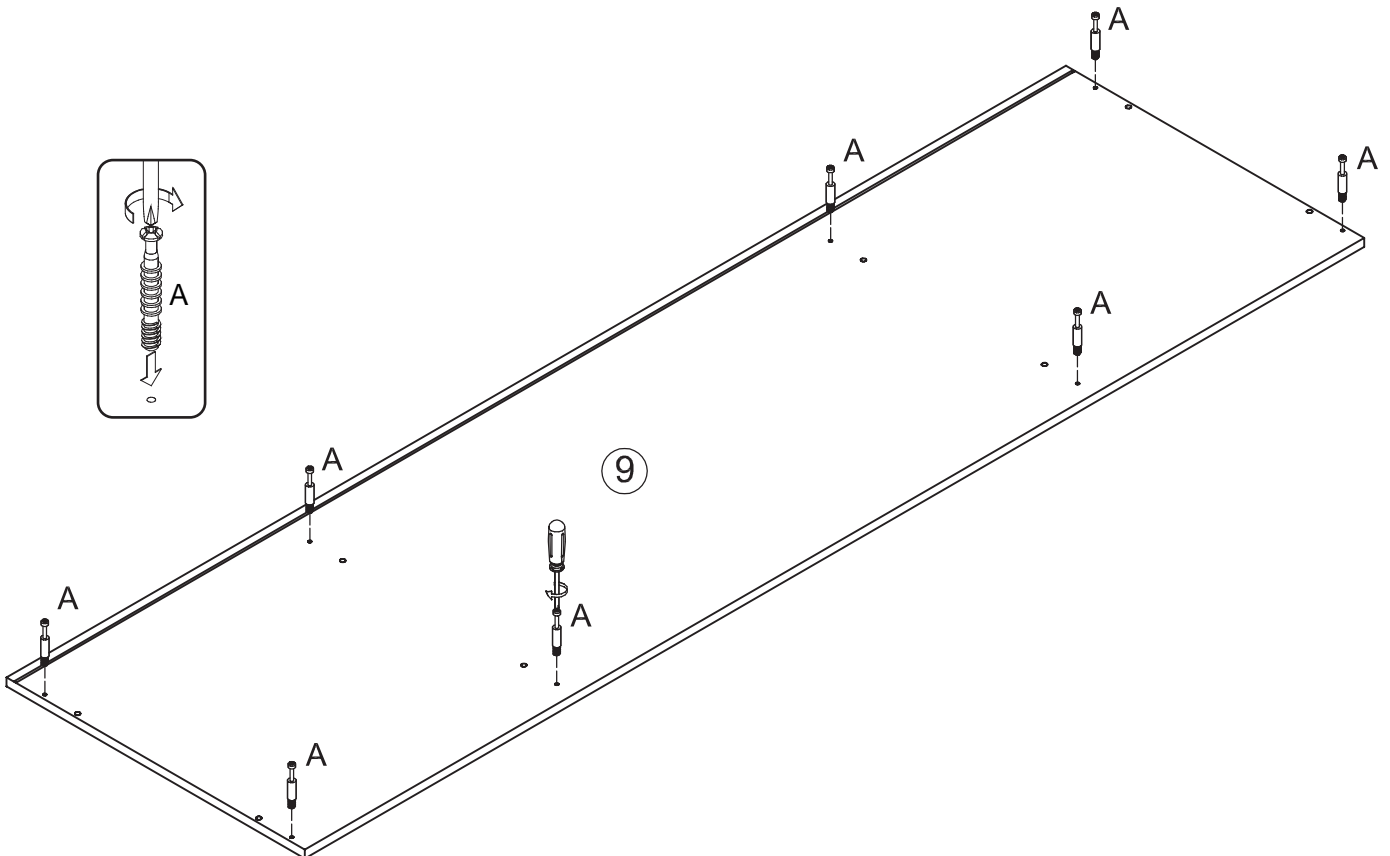
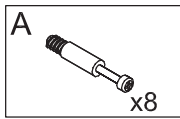
Nr	Ausmaß	Stücke	Colli
10	494x200x15	4	1/4
11	350x115x15	8	3/4
12	445x115x15	4	3/4
13	473x356x3	4	1/4
14	500x543x15	1	1/4
14	500x543x15	3	3/4
15	997x543x15	1	2/4
16L,16R	1475x494x15	2	1/4
17	1899x494x15	2	1/4



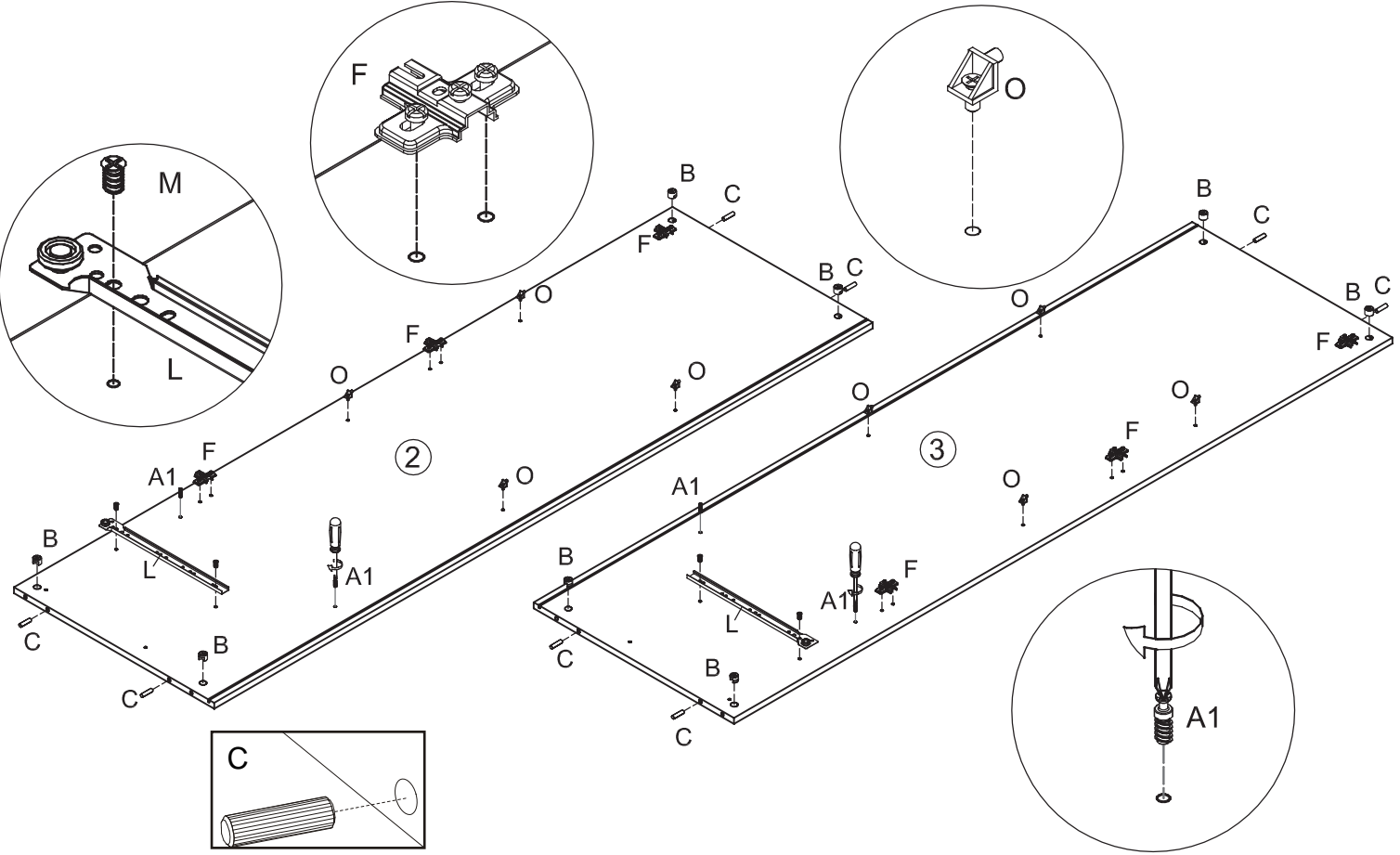
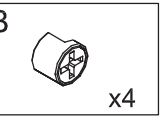
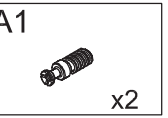
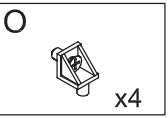
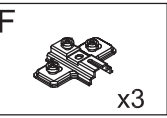
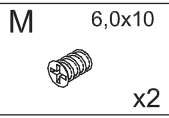
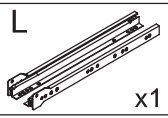
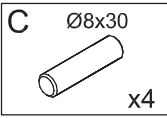
1



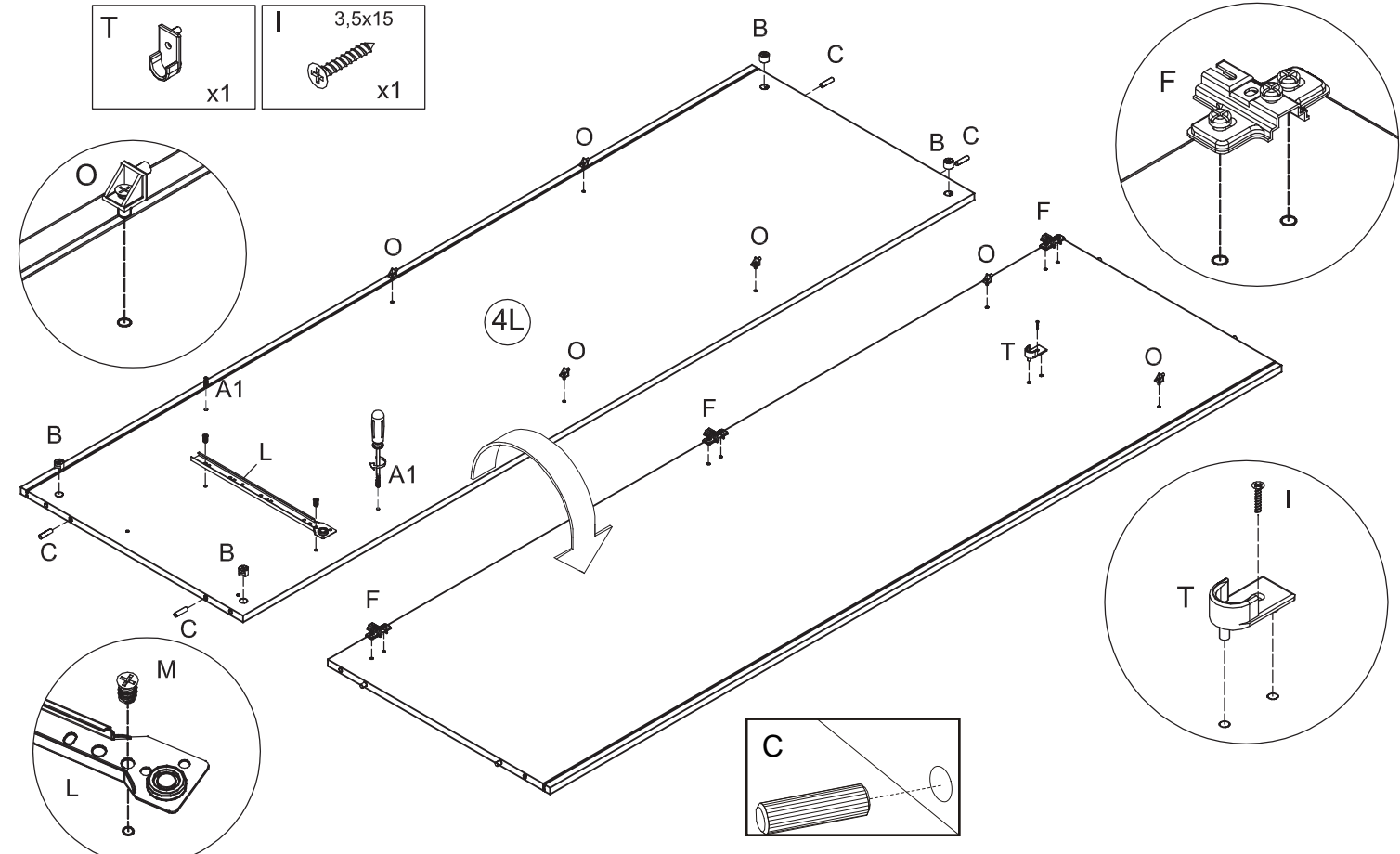
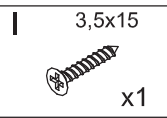
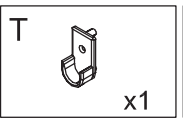
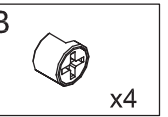
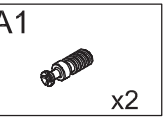
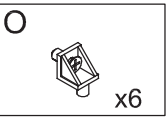
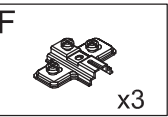
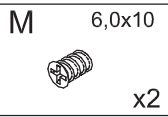
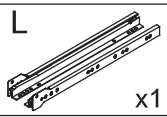
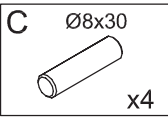
2



3

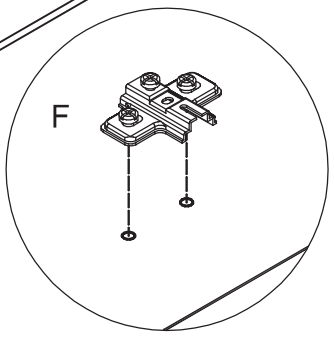
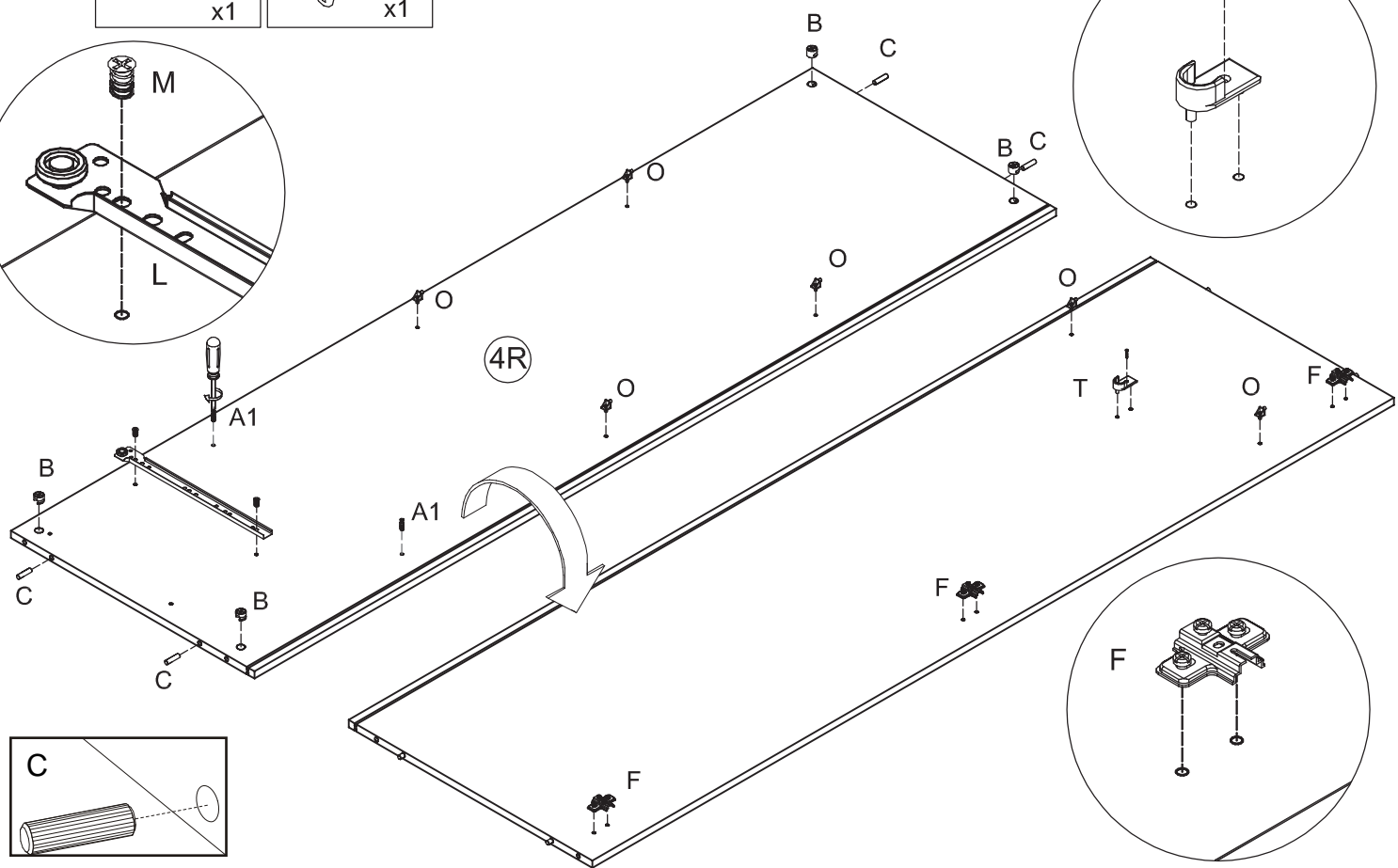
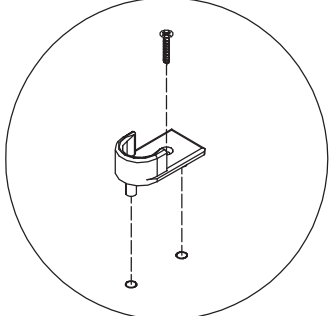
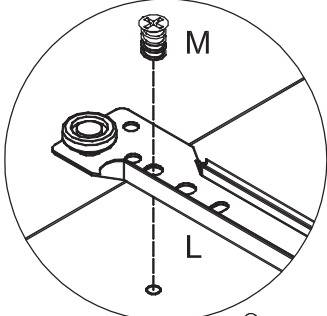


4



5

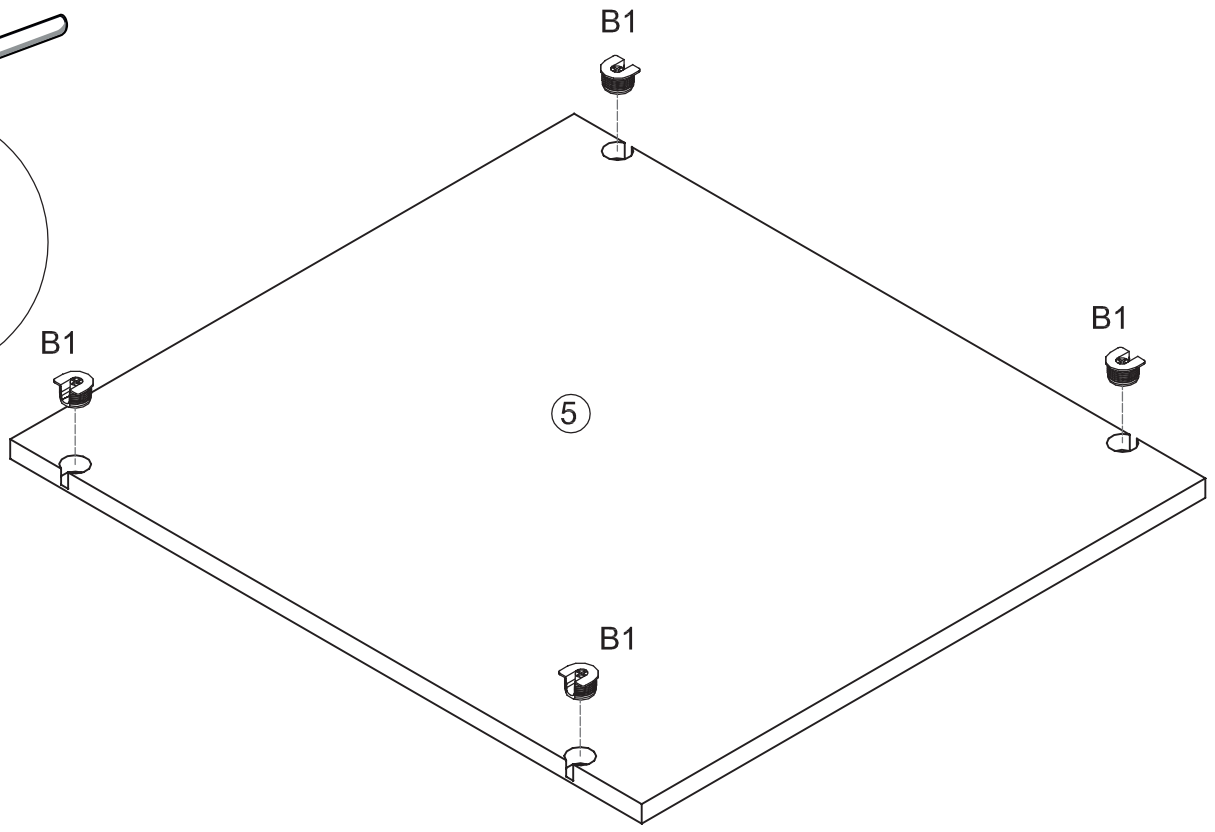
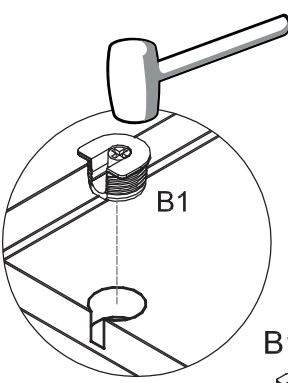
- C $\varnothing 8 \times 30$
x4
- L
x1
- M 6,0x10
x2
- F
x3
- O
x6
- A1
x2
- B
x4
- T
x1
- I 3,5x15
x1



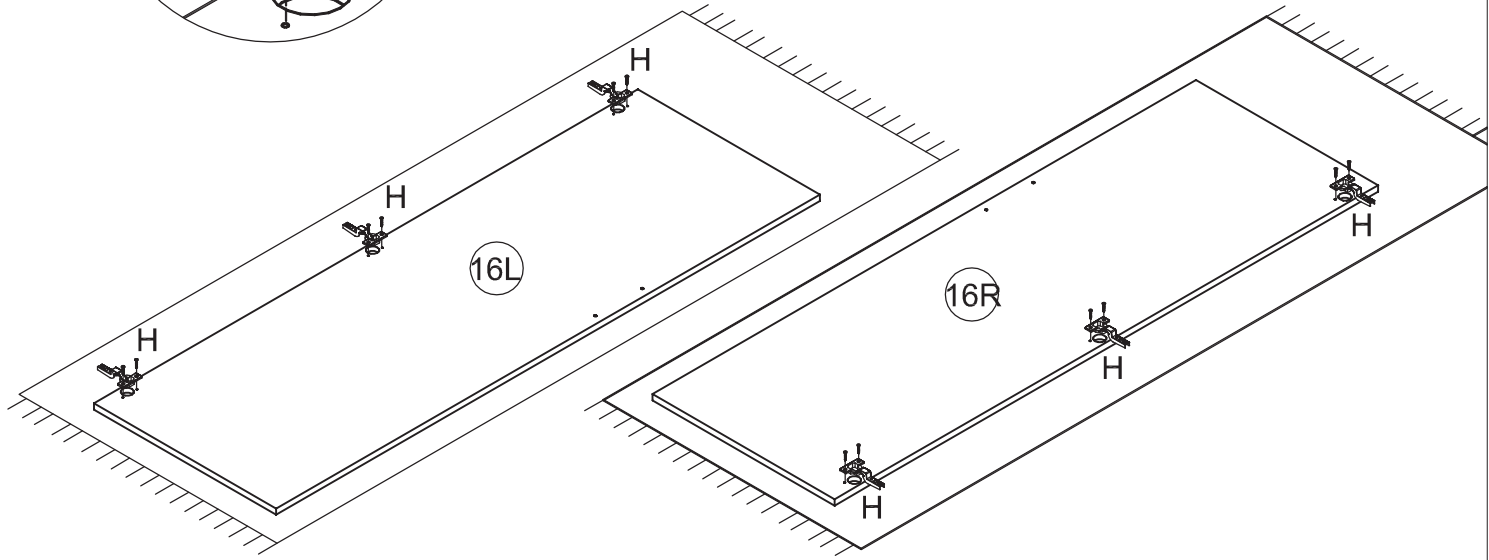
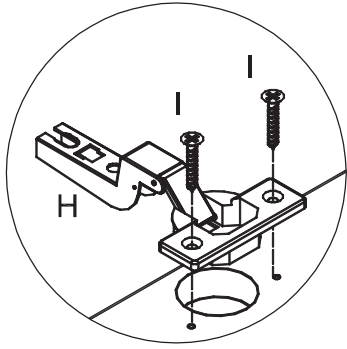
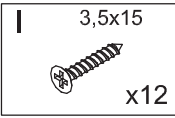
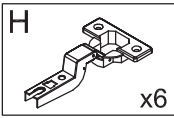
6

- B1
x8

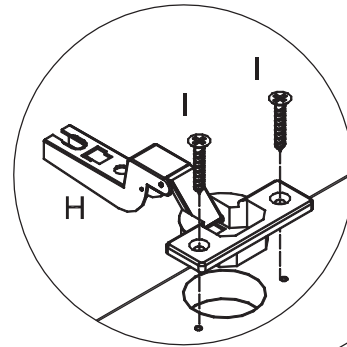
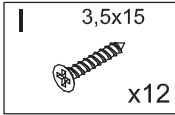
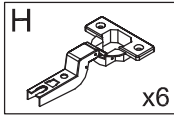
x2



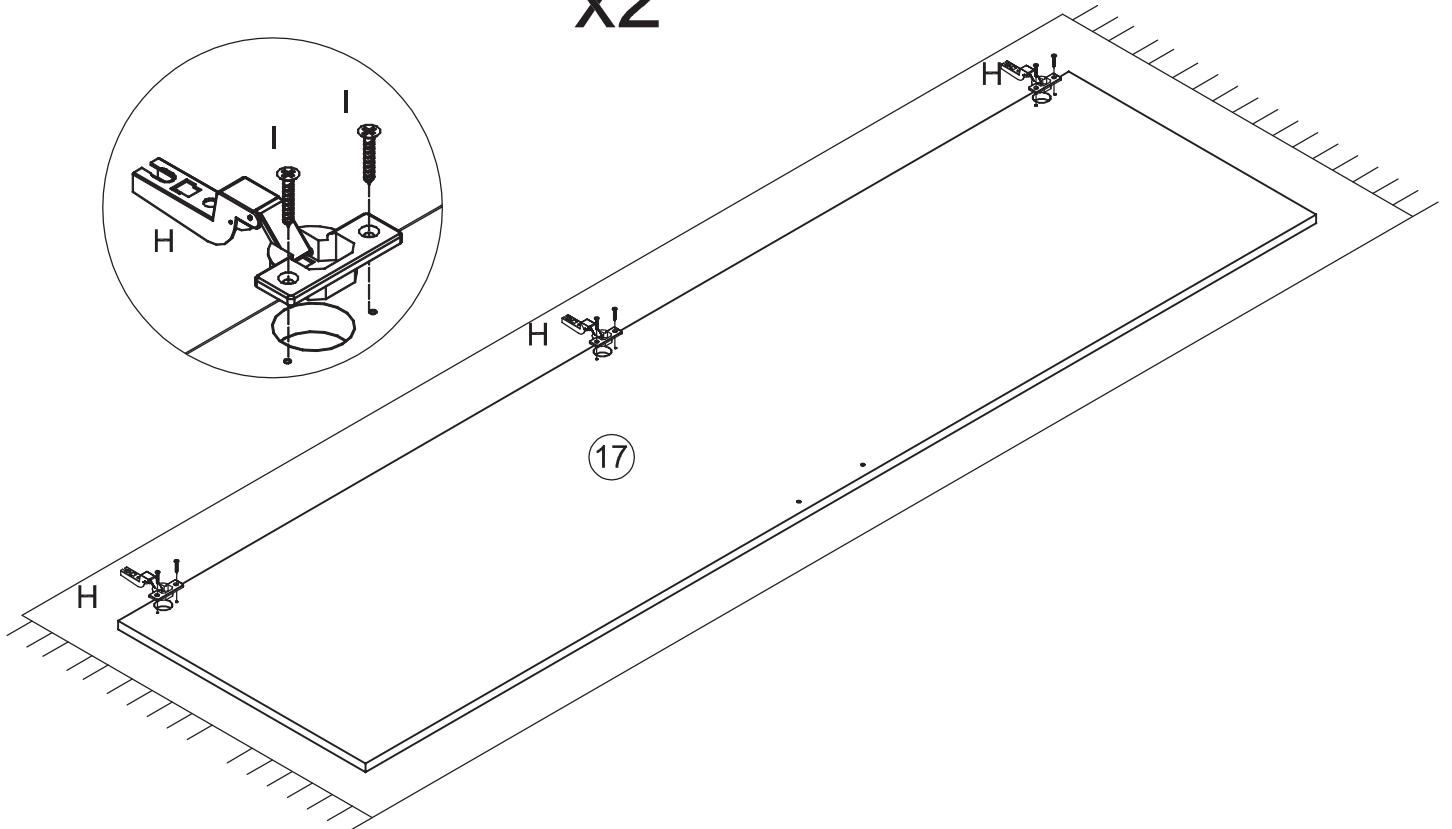
7



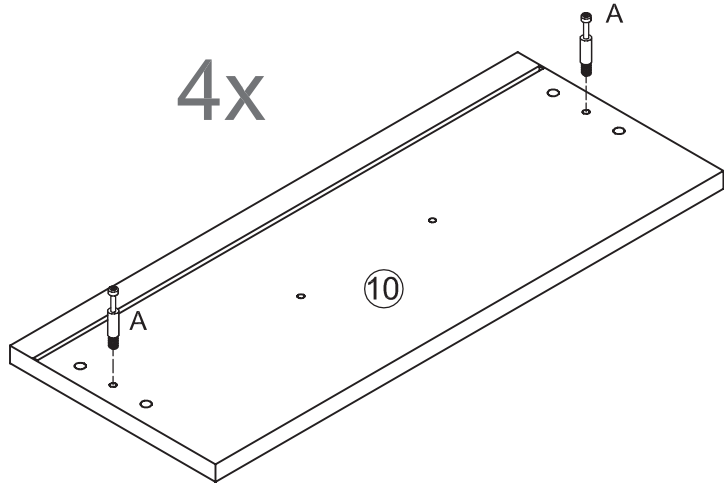
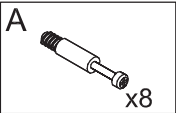
8



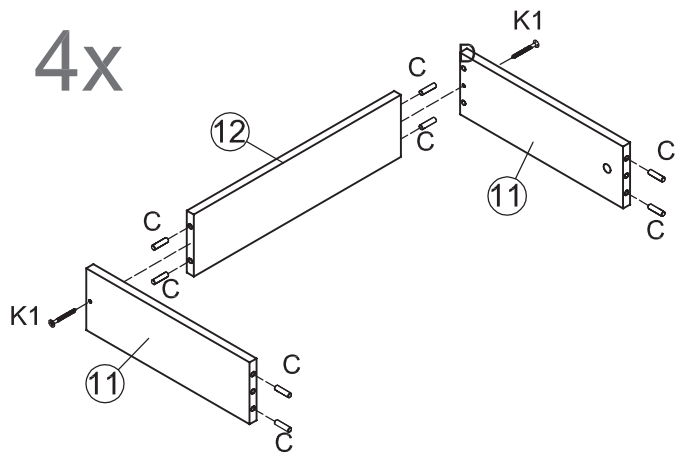
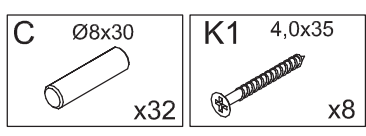
x2



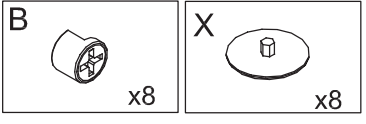
9a



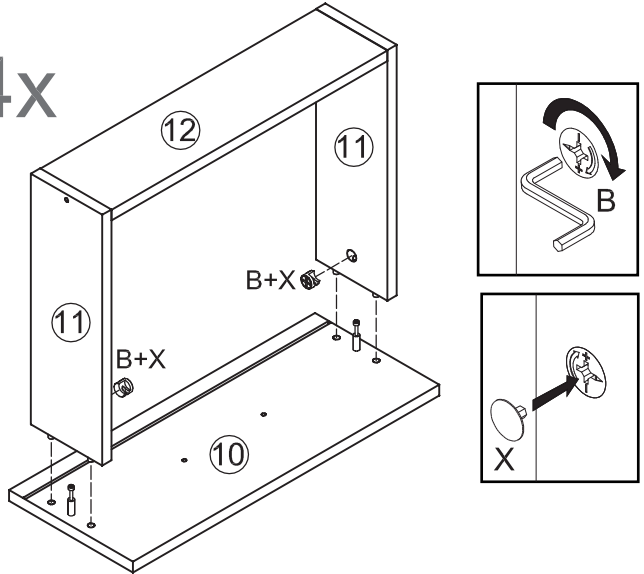
9b



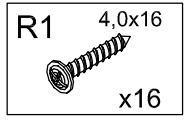
9c



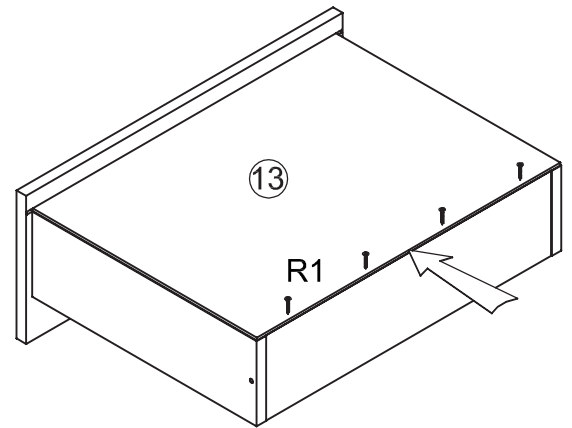
4x



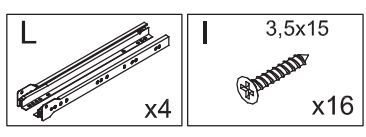
9d



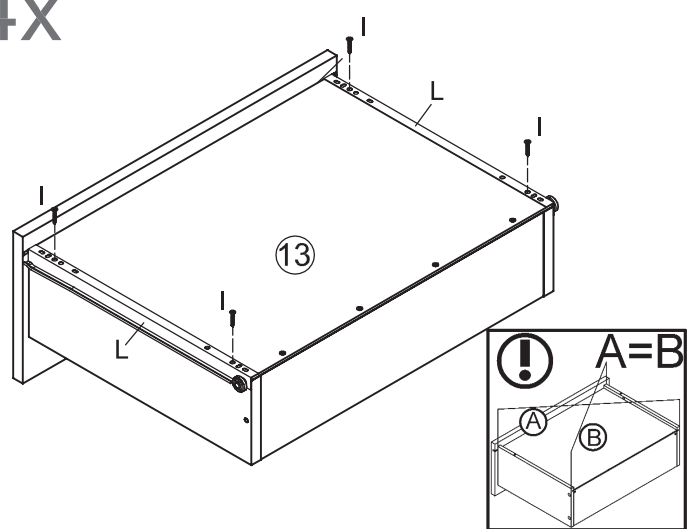
4x



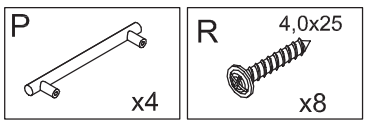
9e



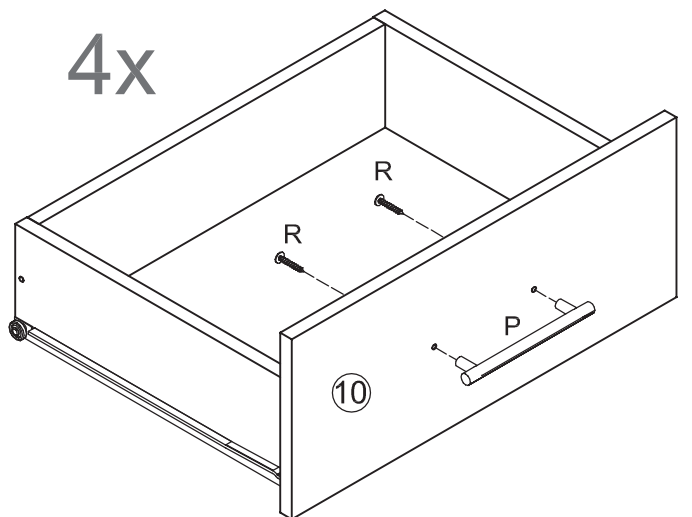
4x



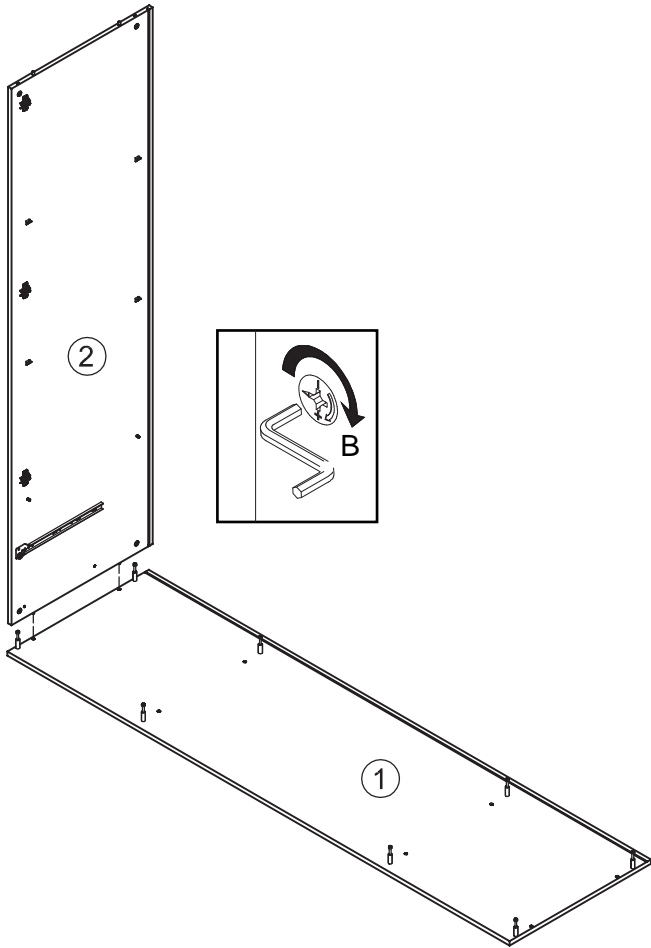
9f



4x



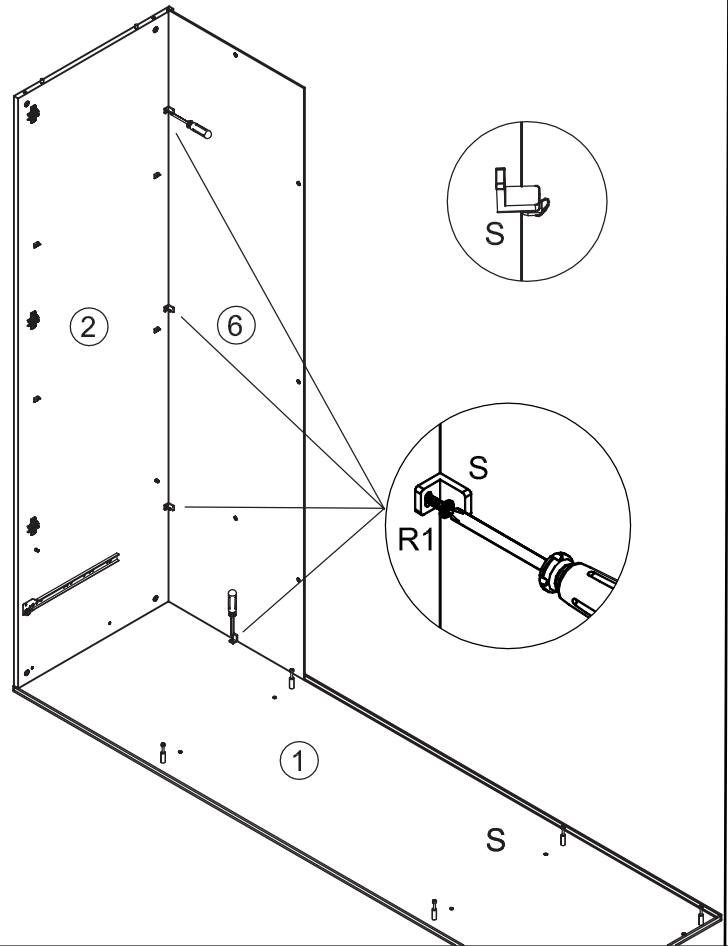
10



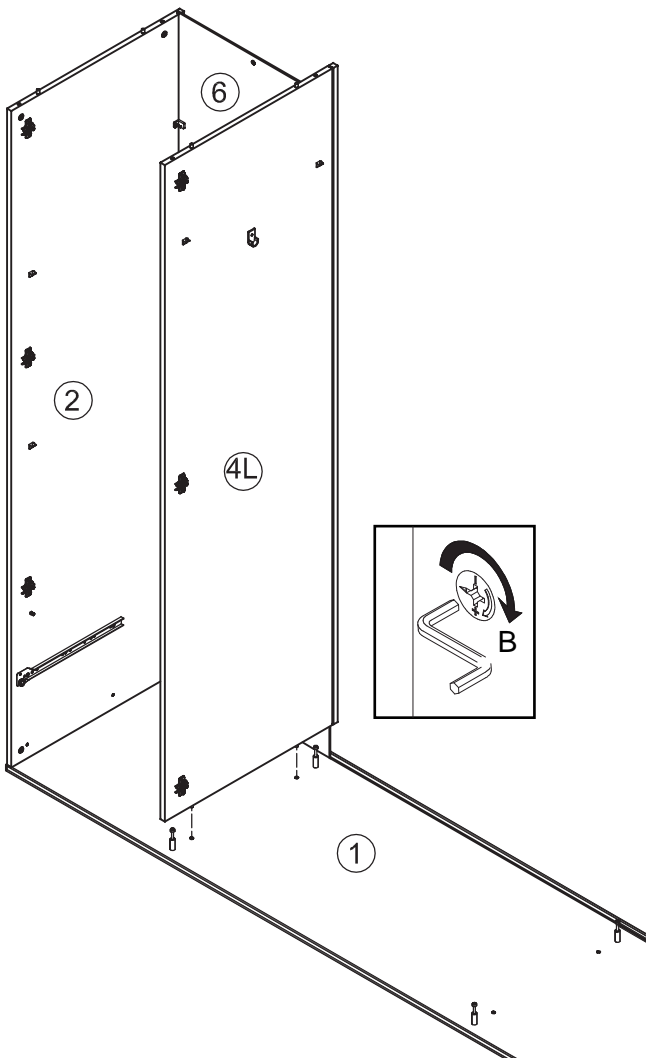
11

S x4

R1 4,0x16 x4



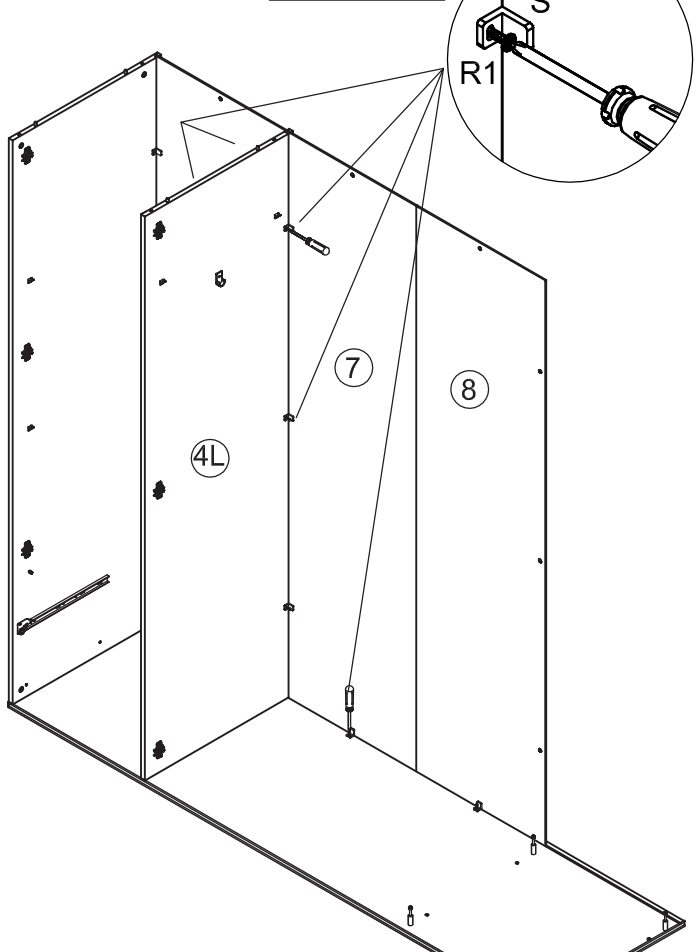
12



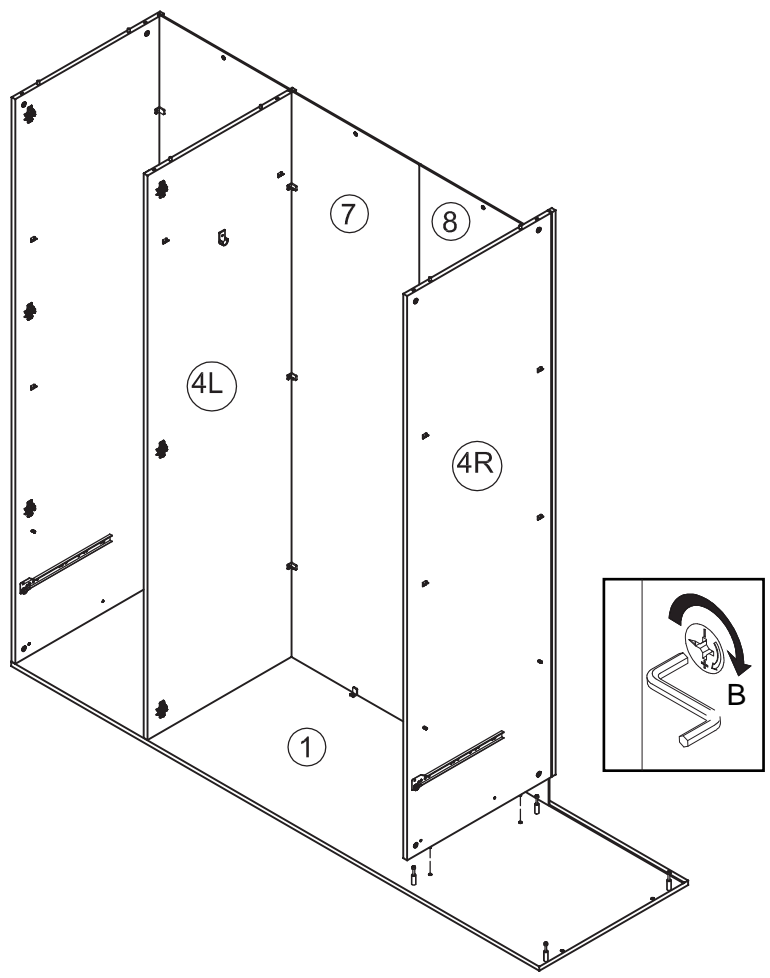
13

S x8



R1 4,0x16 x8

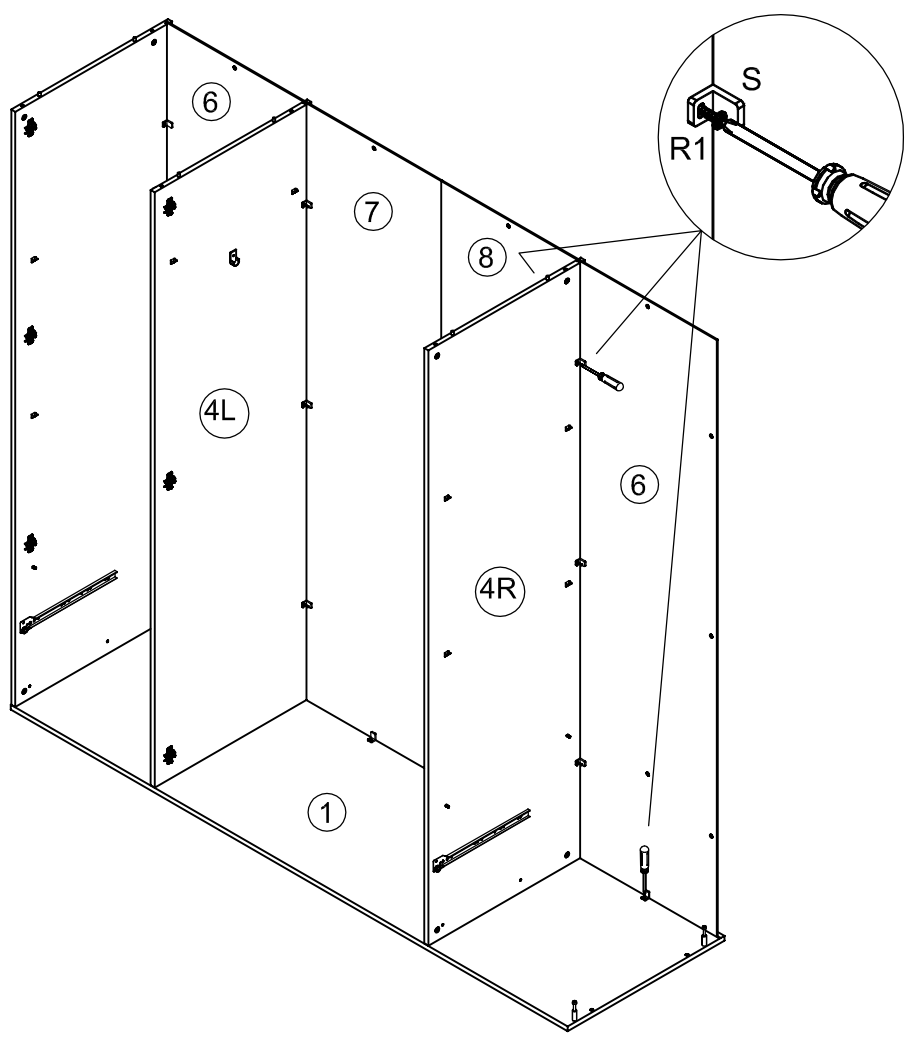


14

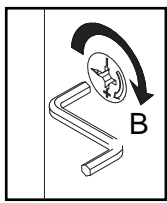
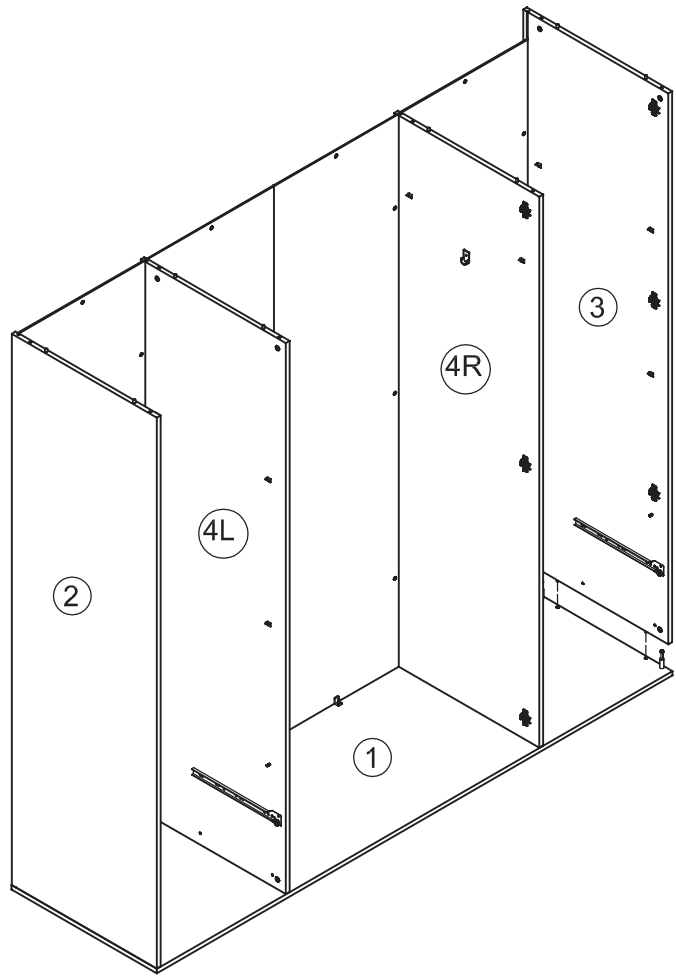


15



- S  x7
- R1 4,0x16  x7

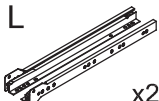



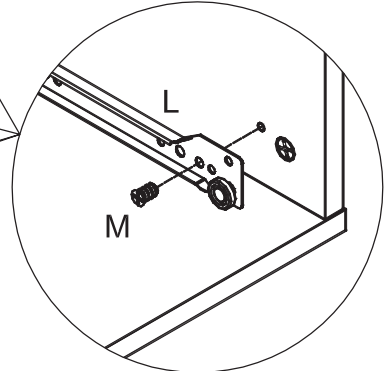
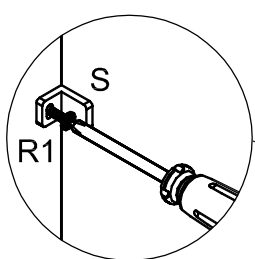
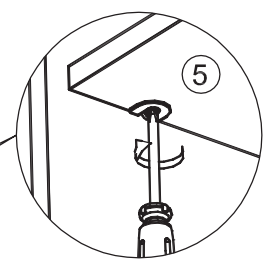
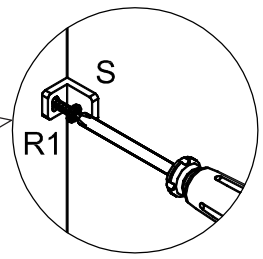
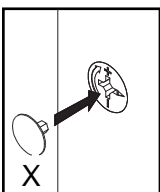
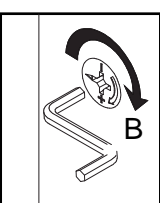
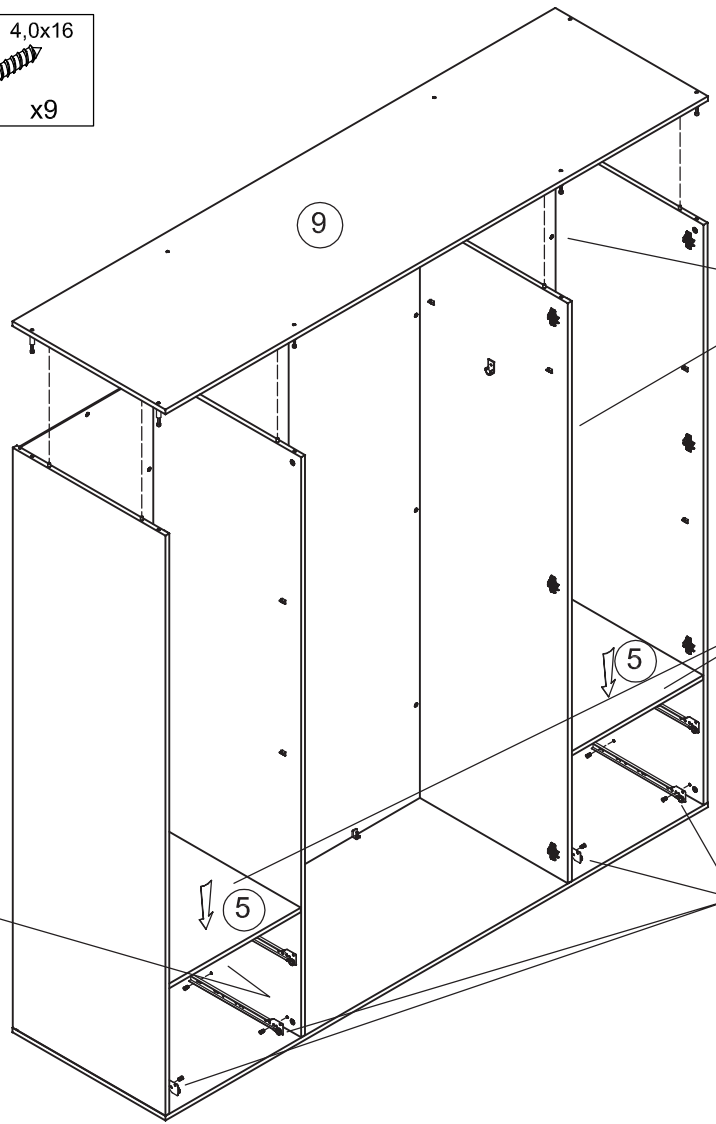
16

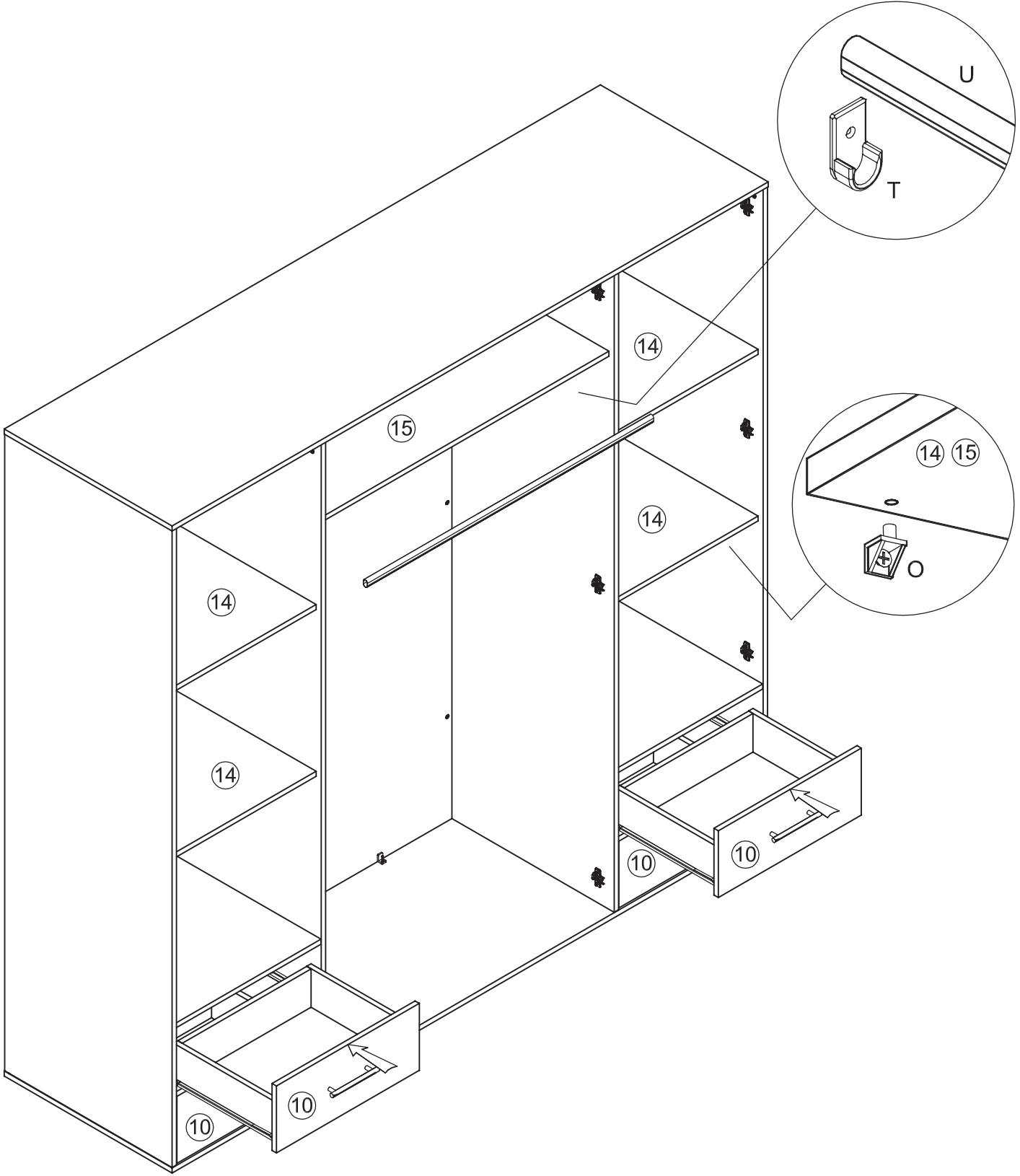
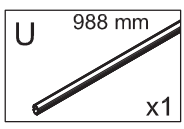


17

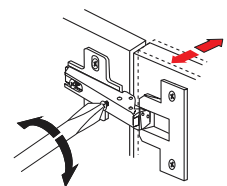
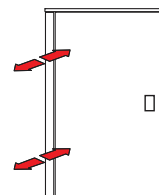
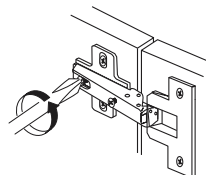
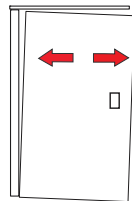
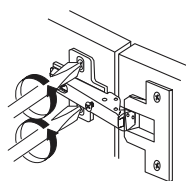
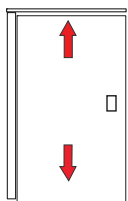
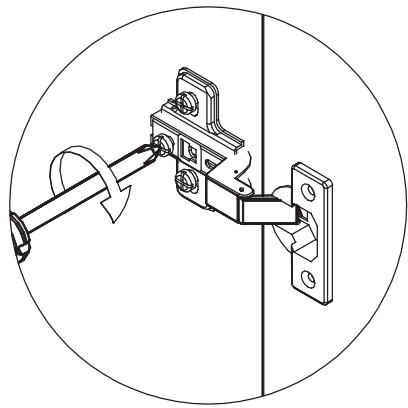
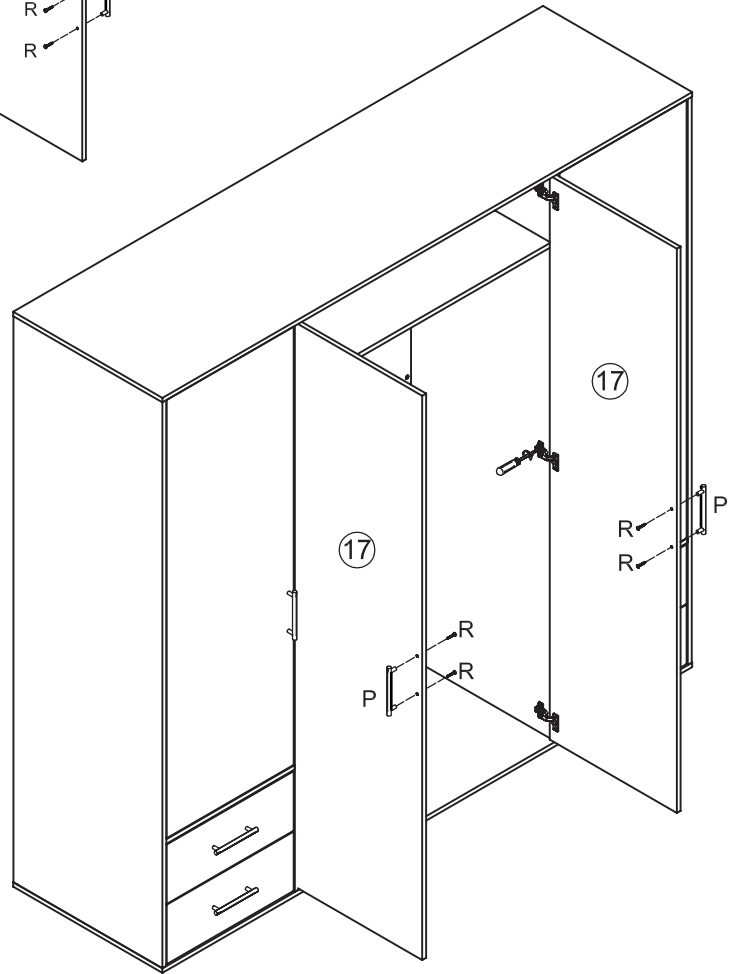
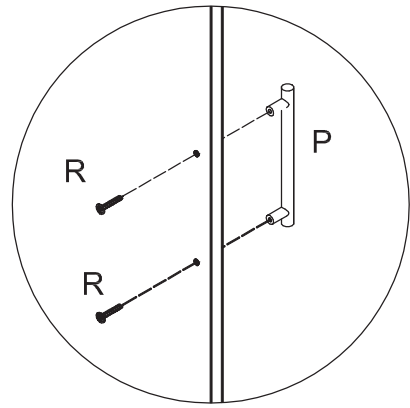
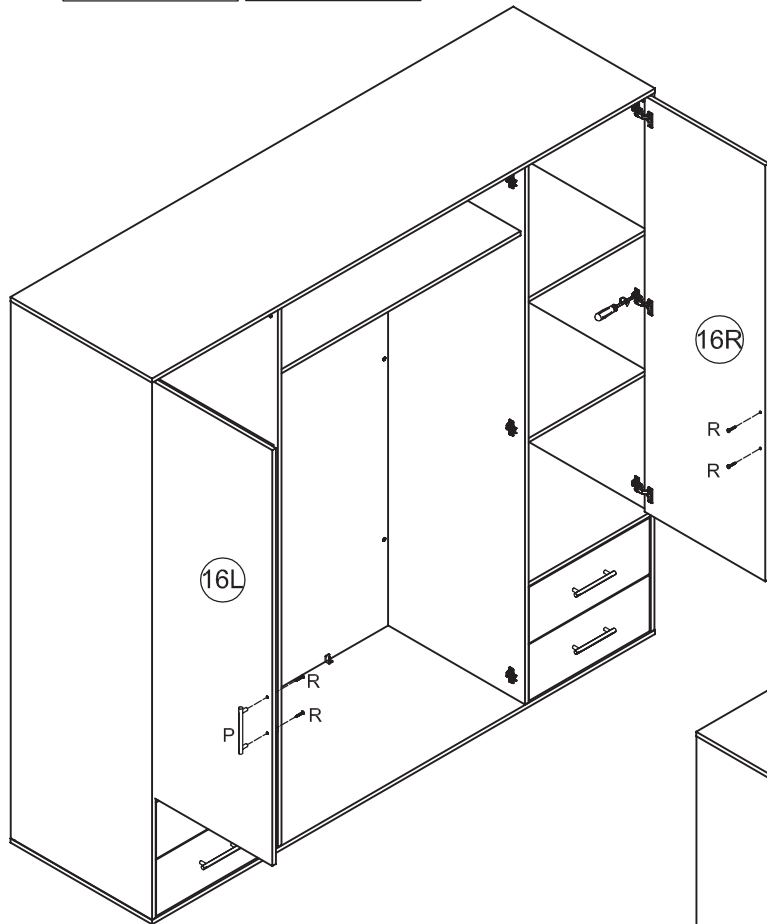
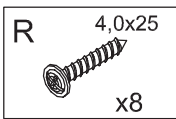
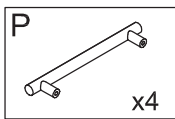
- S  x9
- R1  4,0x16 x9

- L  x2
- M  6,0x10 x8





19



20

