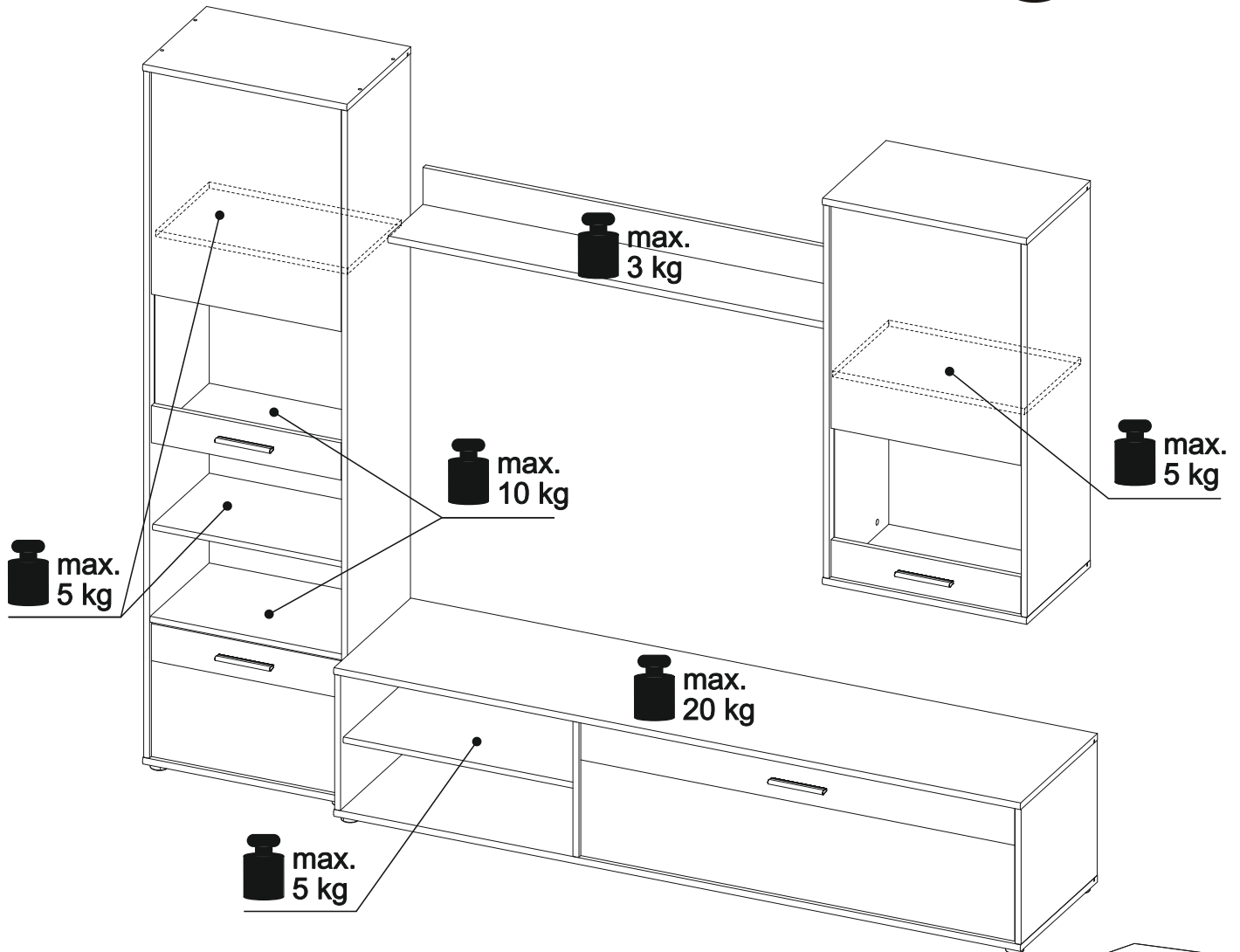


1803

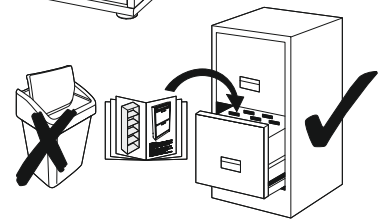
CASH



- 120 min.



- | | | | | |
|--------|--------|--------|--------|--------|
| ① - C2 | ⑧ - C3 | ⑮ - C1 | ⑳ - C3 | ㉑ - C2 |
| ② - C2 | ⑨ - C1 | ⑯ - C1 | ㉒ - C3 | ⑳ - C3 |
| ③ - C1 | ⑩ - C3 | ⑰ - C1 | ㉓ - C1 | ㉔ - C3 |
| ④ - C1 | ⑪ - C1 | ⑱ - C2 | ㉔ - C1 | ㉕ - C1 |
| ⑤ - C1 | ⑫ - C1 | ⑲ - C3 | ㉕ - C1 | ㉖ - C3 |
| ⑥ - C1 | ⑬ - C3 | ⑳ - C2 | ㉖ - C1 | |
| ⑦ - C1 | ⑭ - C3 | ㉑ - C3 | ㉗ - C3 | |



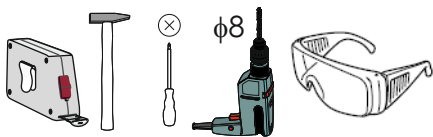
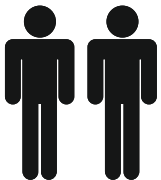
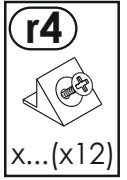
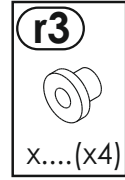
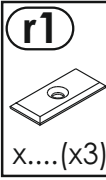
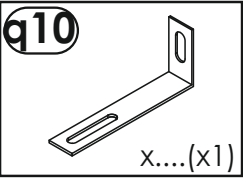
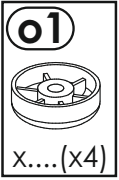
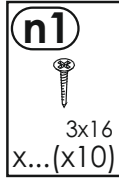
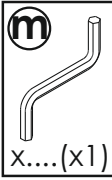
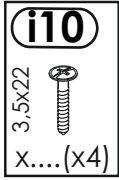
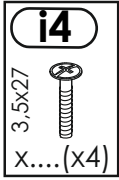
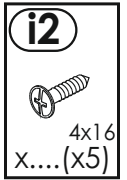
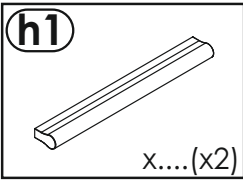
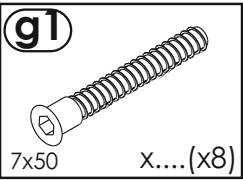
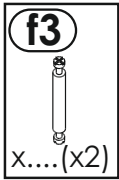
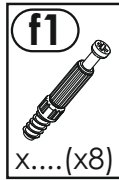
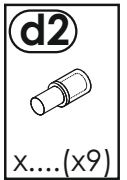
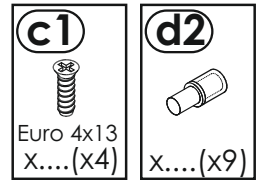
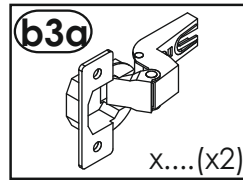
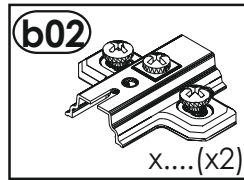
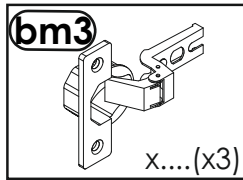
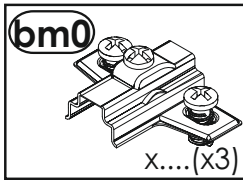
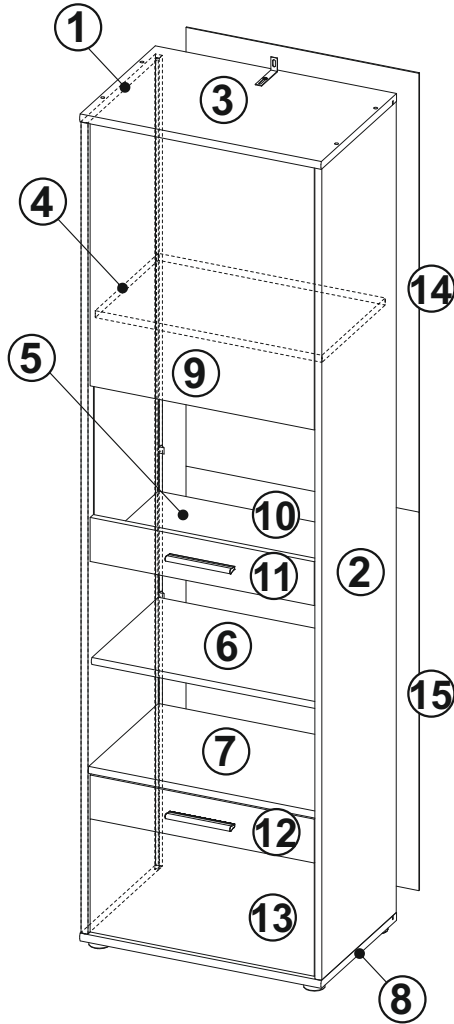
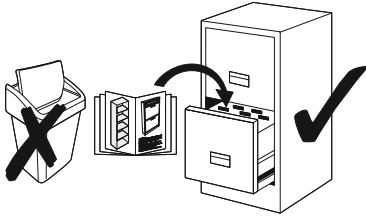
C1 1/3

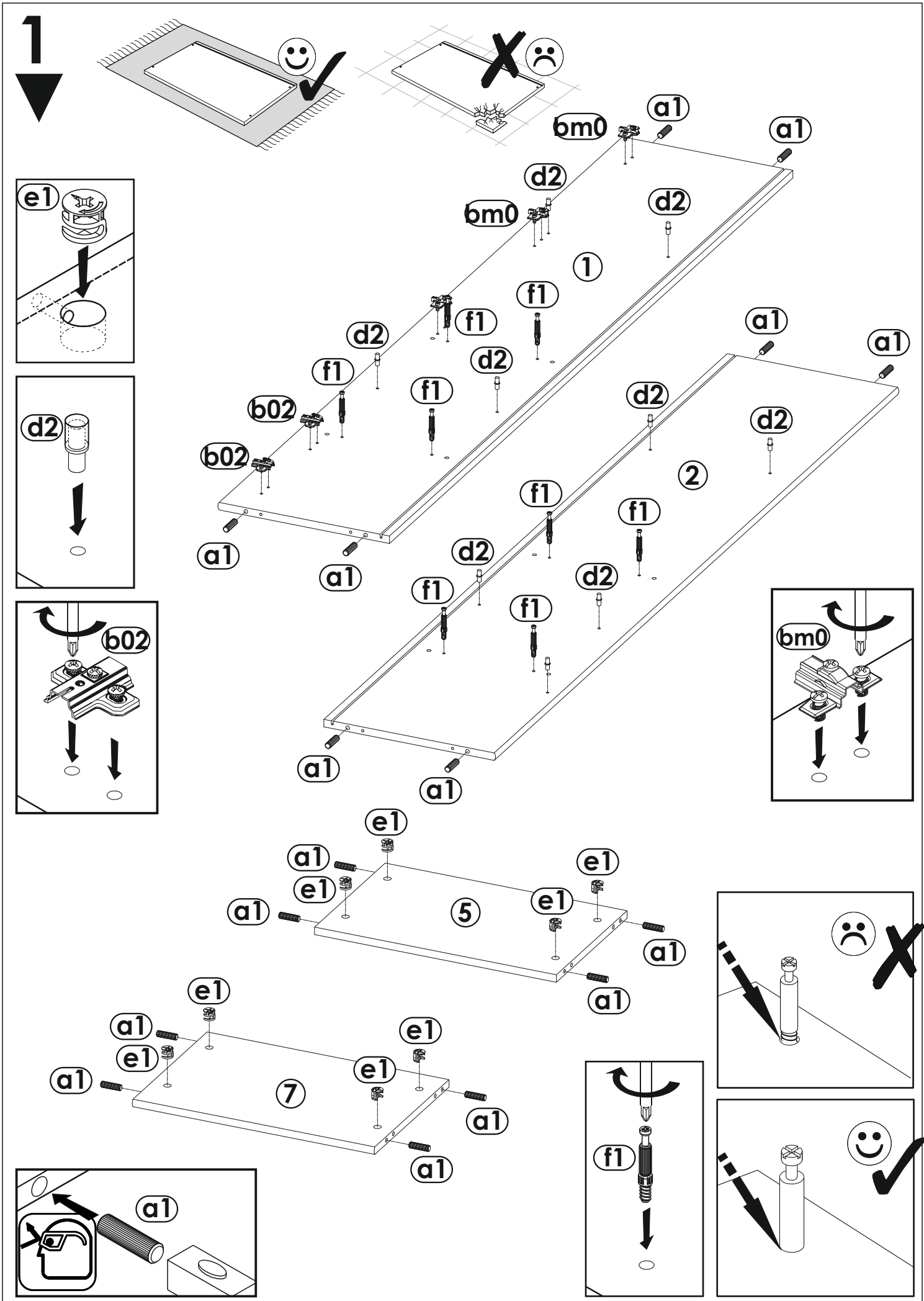
C2 2/3

C3 3/3

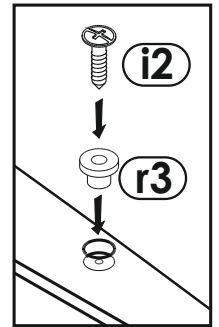
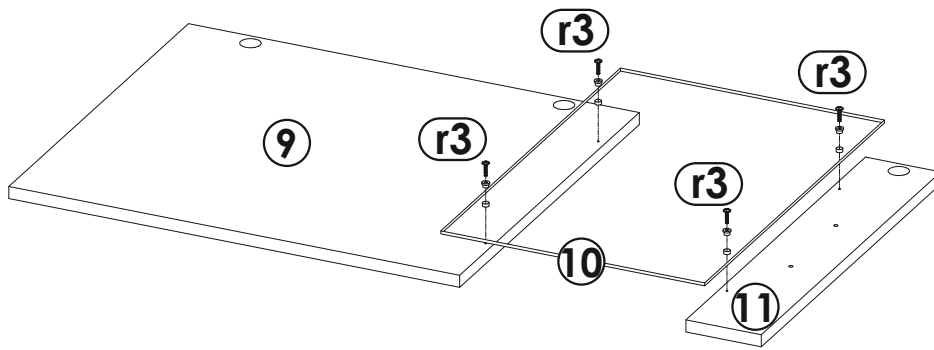
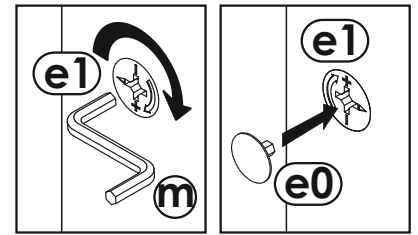
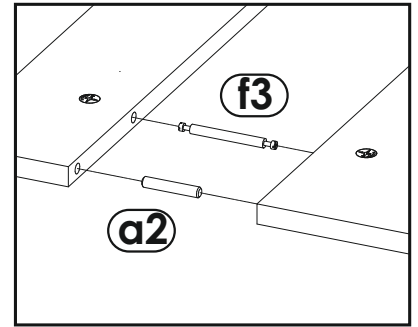
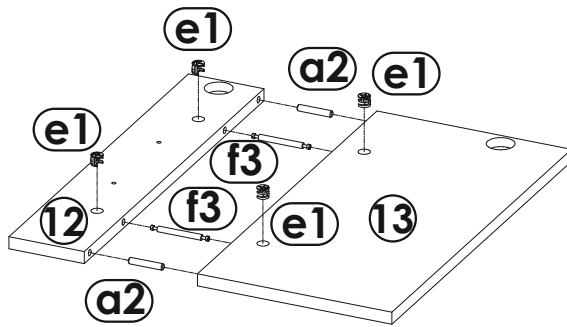
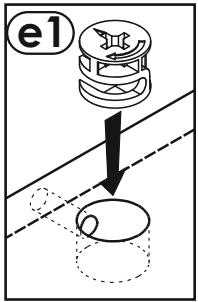
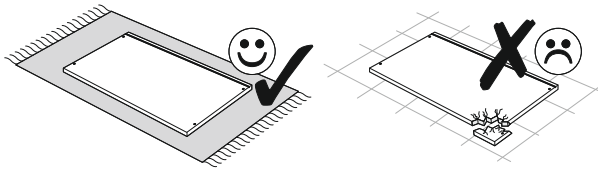
CASH

T1

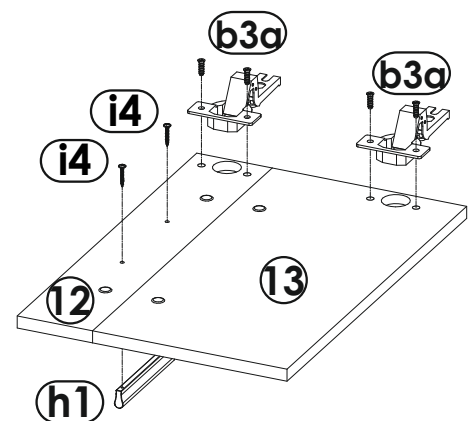
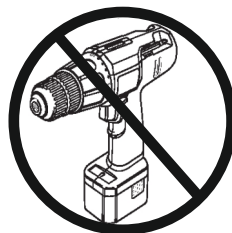
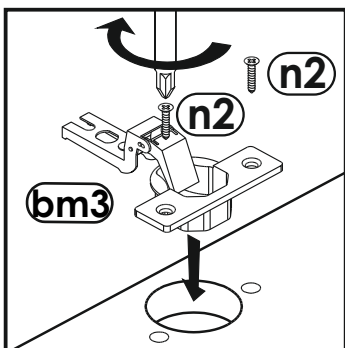
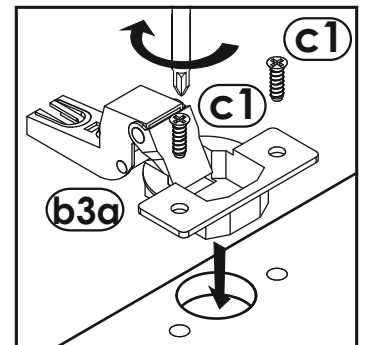
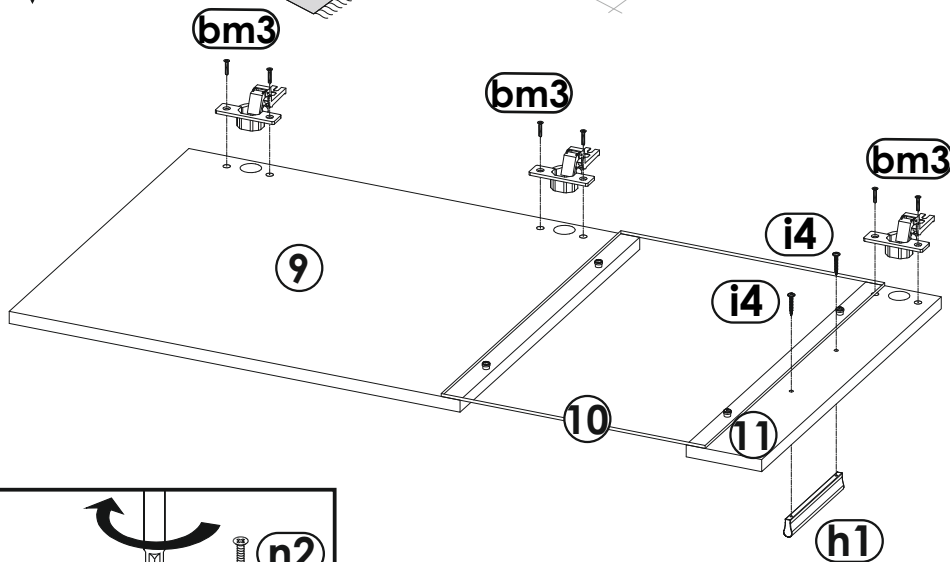
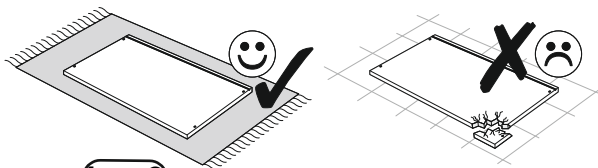




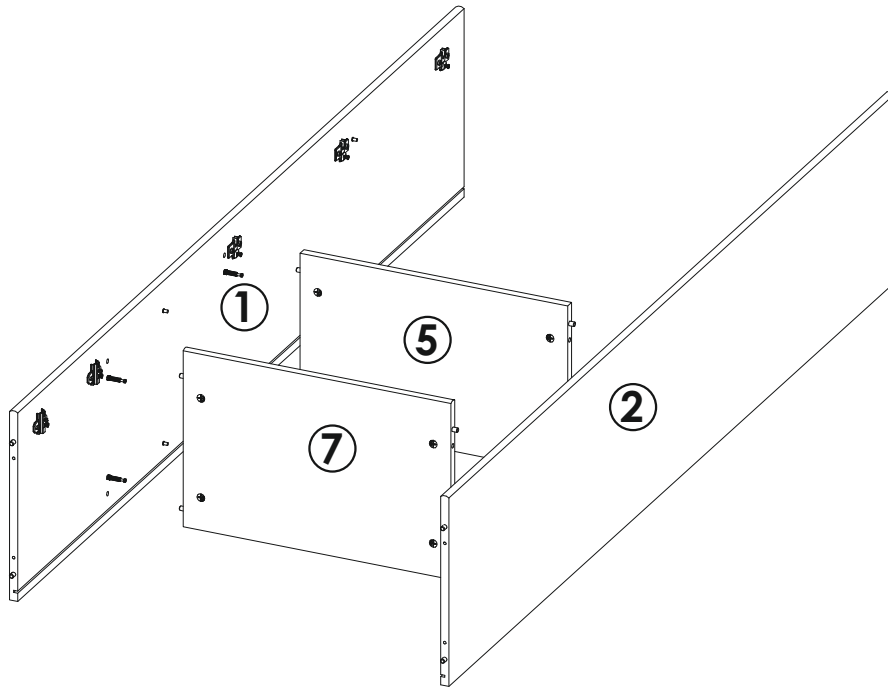
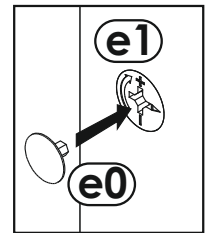
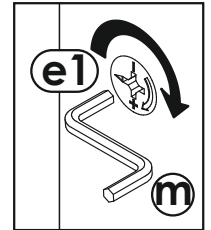
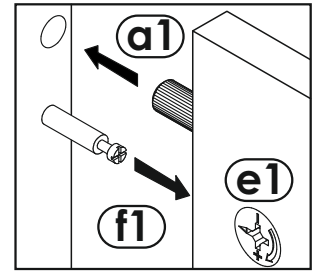
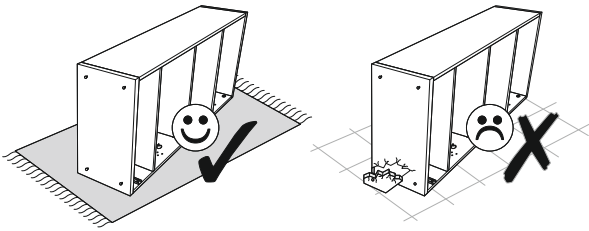
2



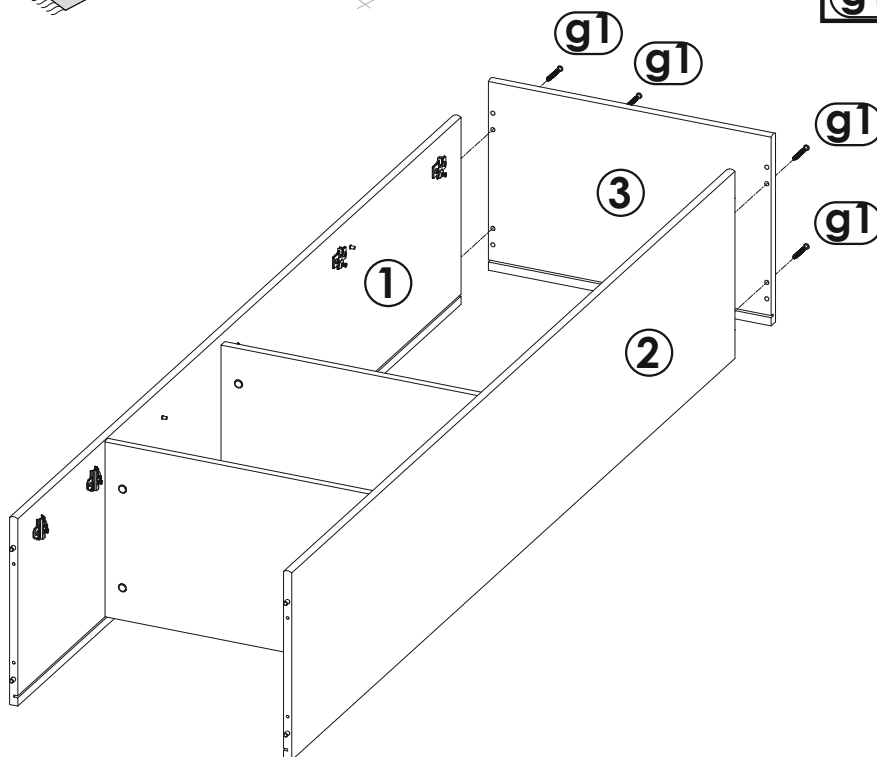
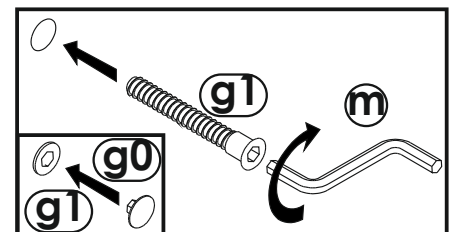
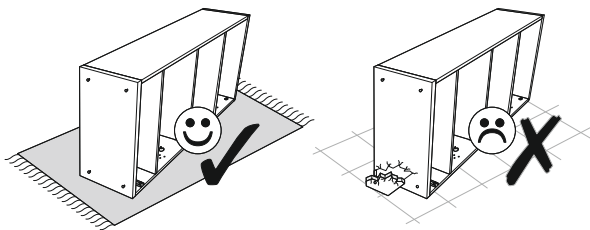
3



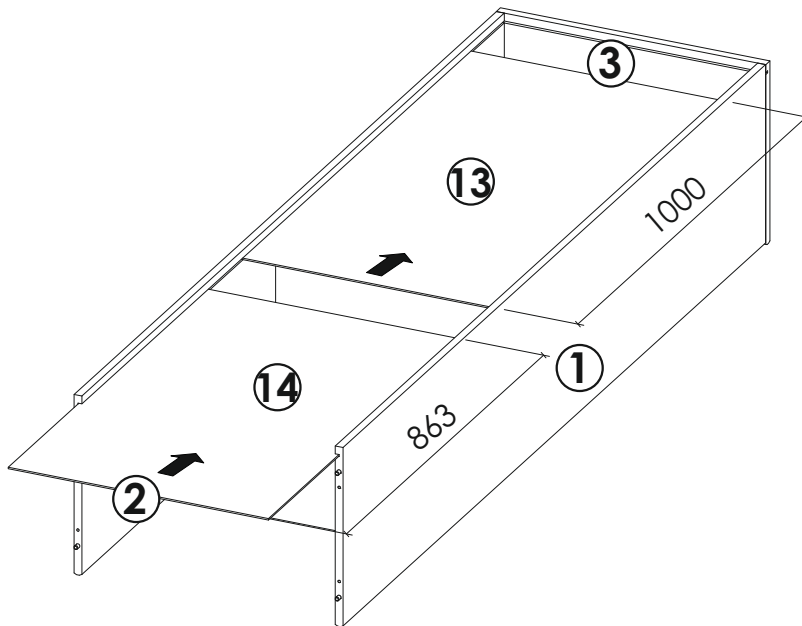
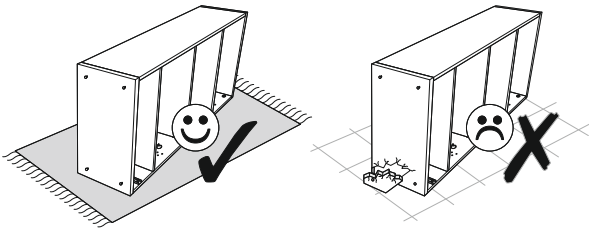
4
▼



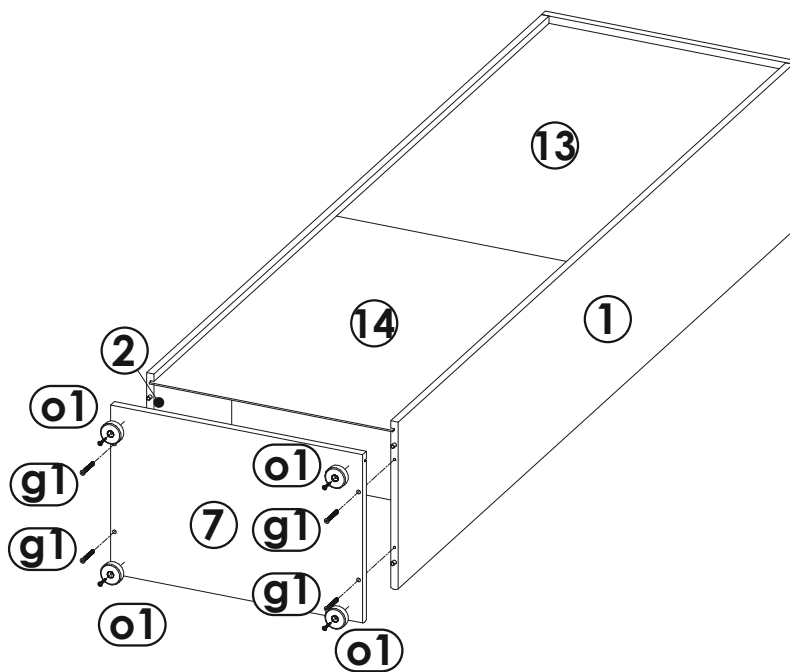
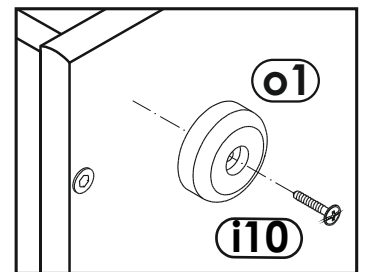
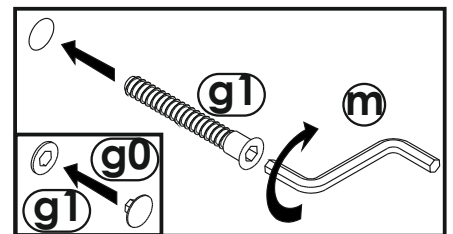
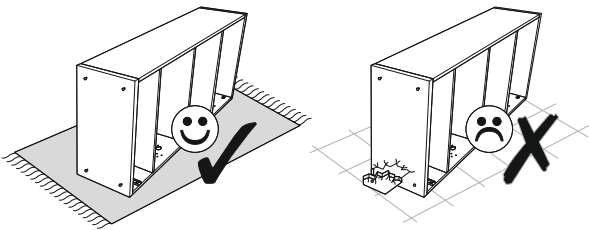
5
▼



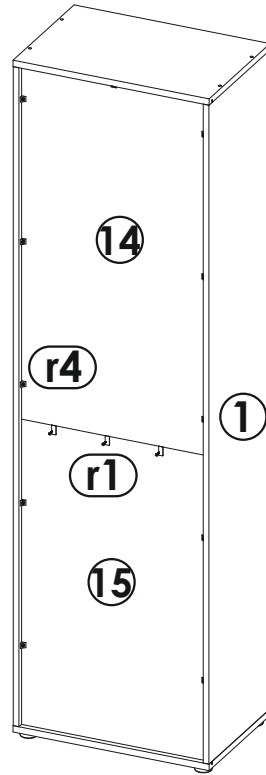
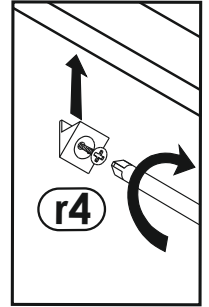
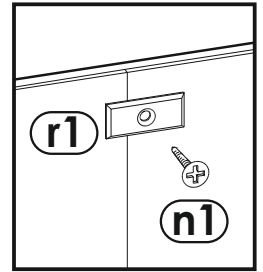
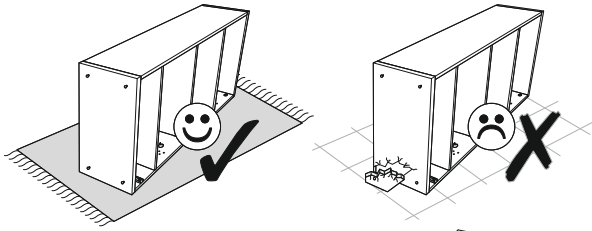
6
▼



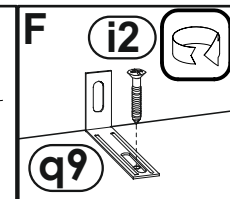
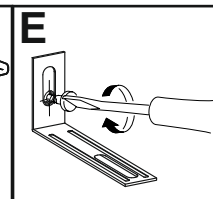
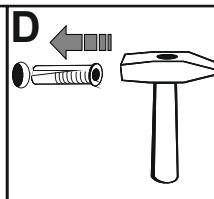
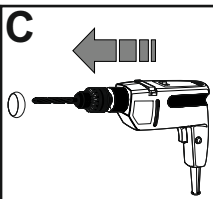
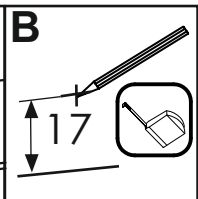
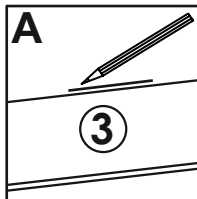
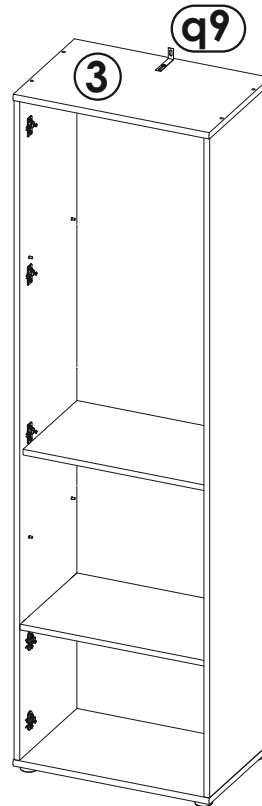
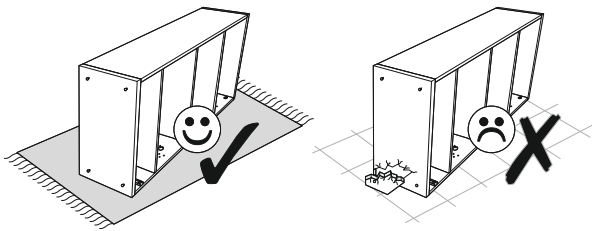
7
▼



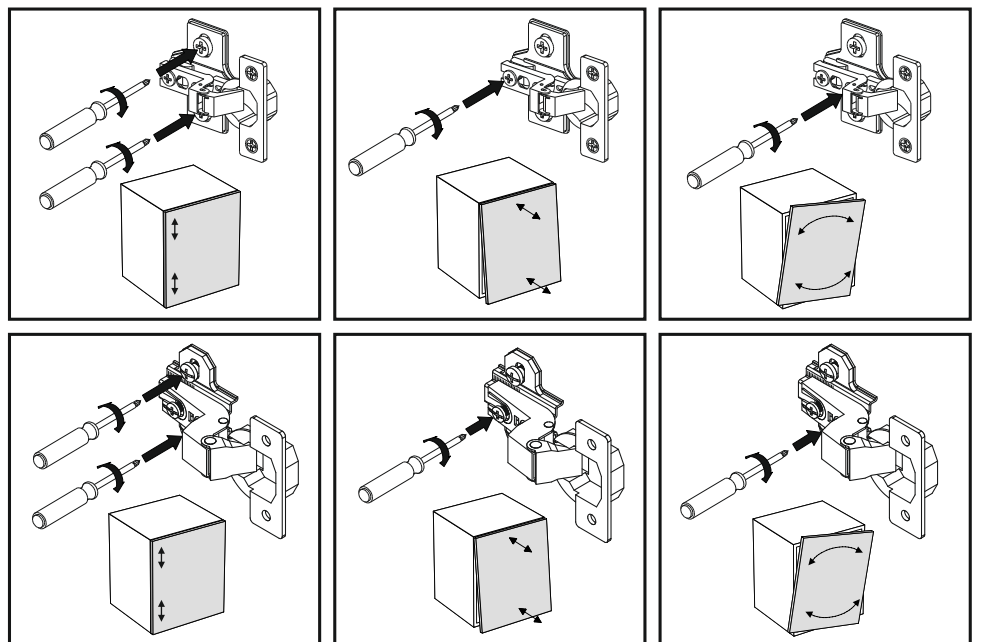
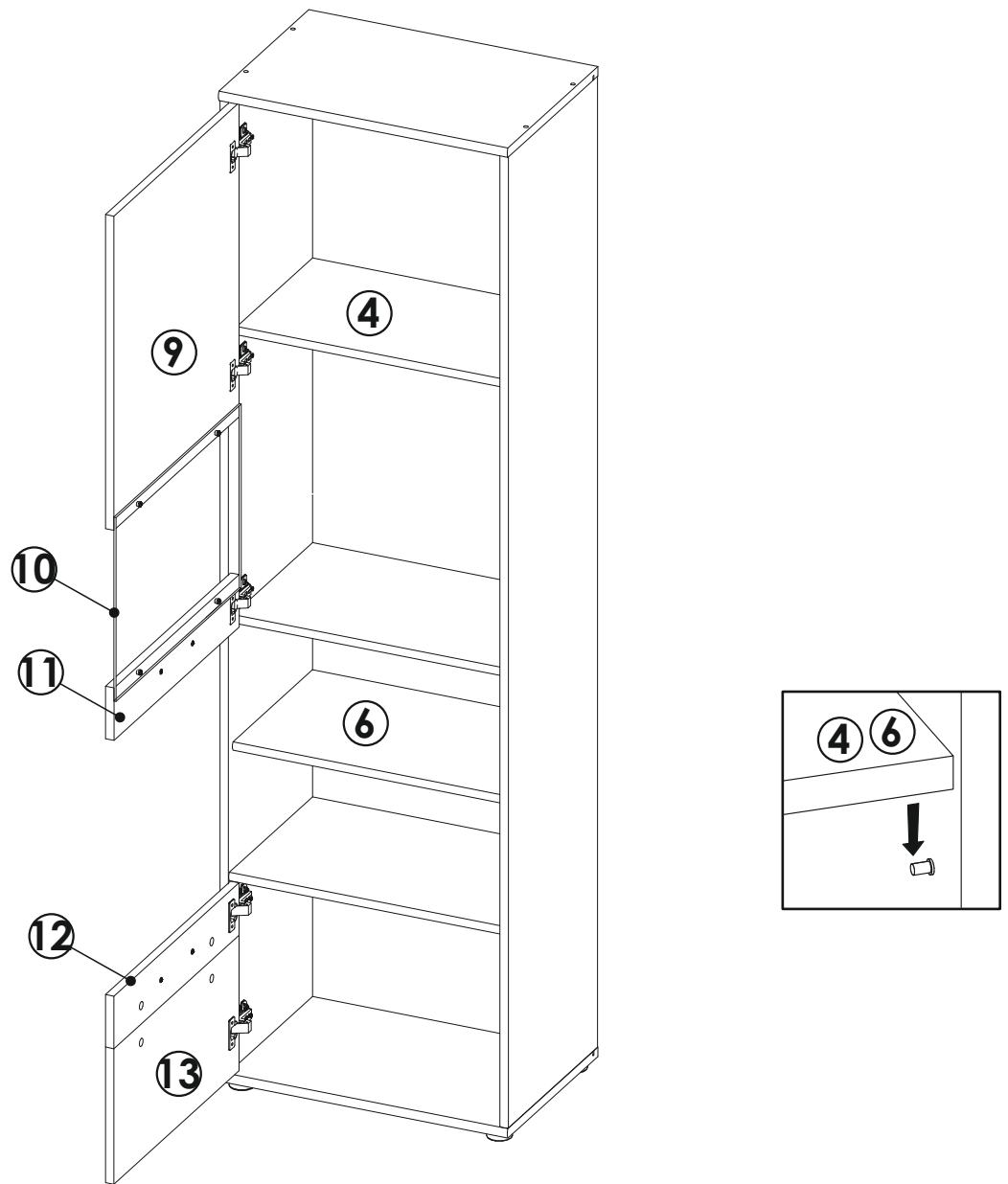
8
▼



9
▼



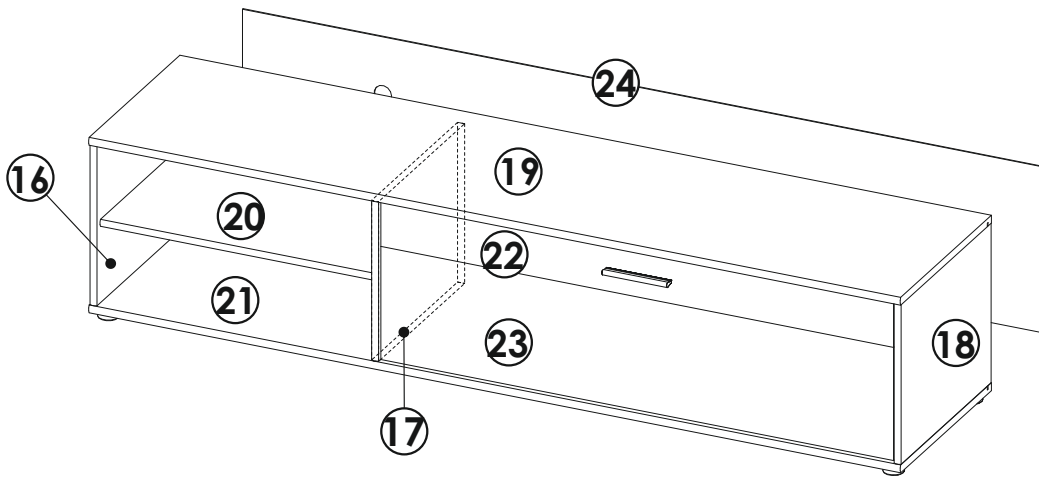
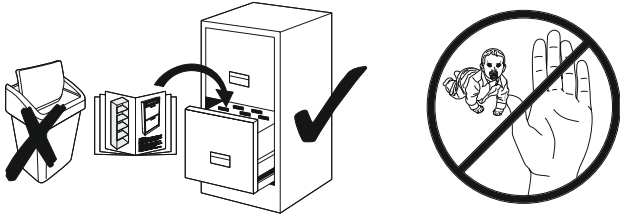
10



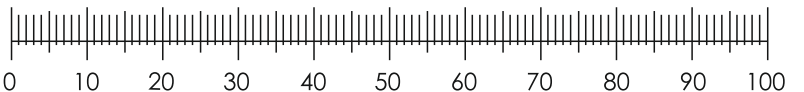
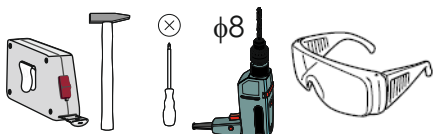
1803

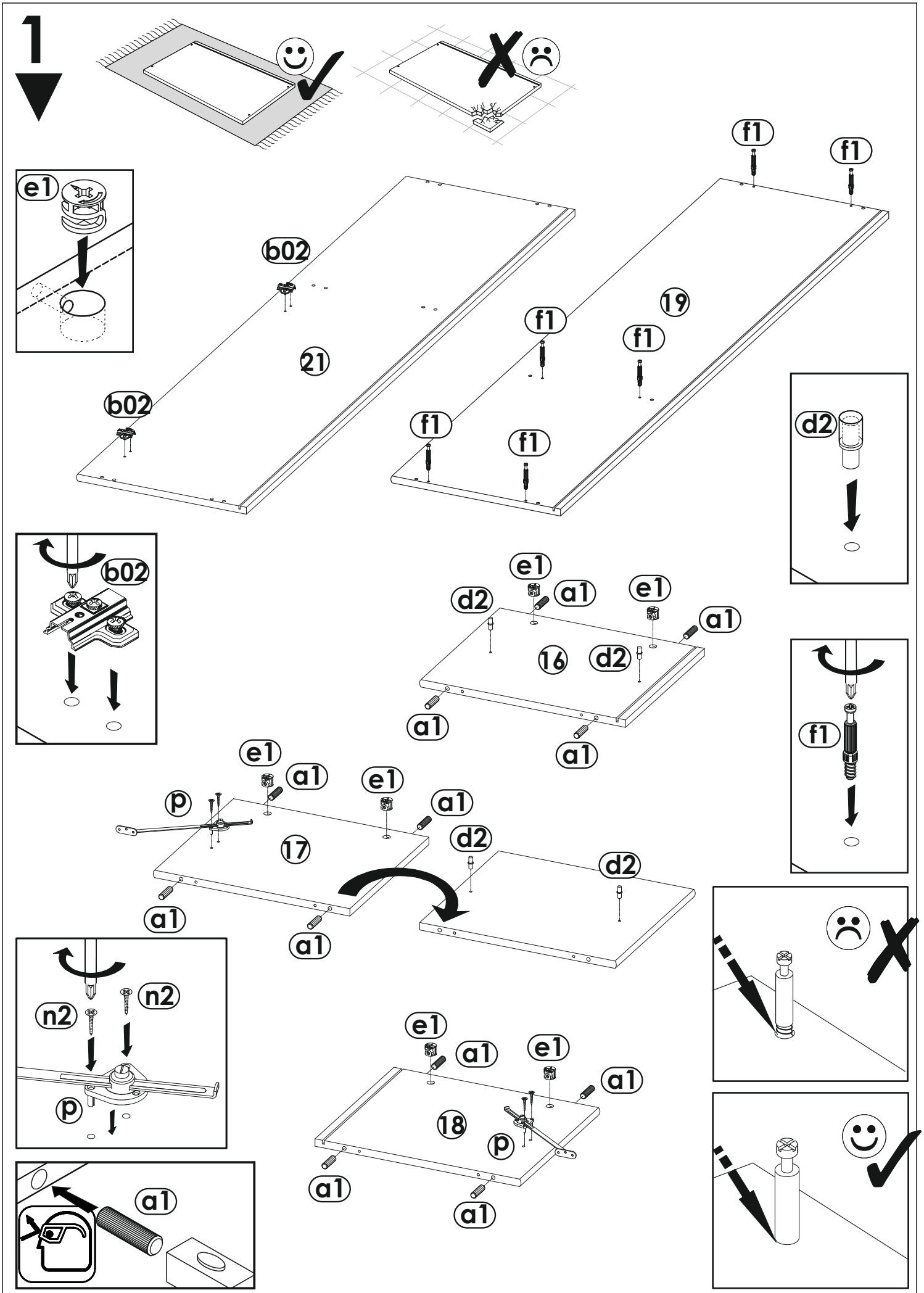
CASH

T2

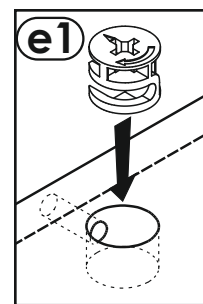
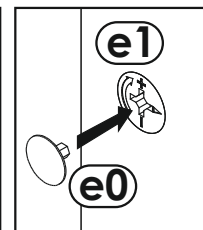
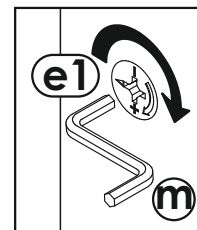
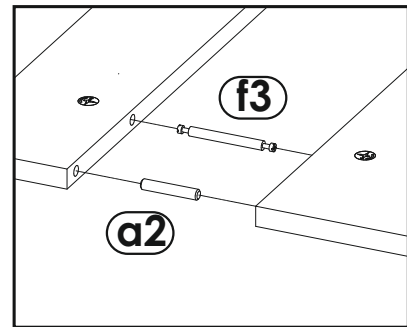
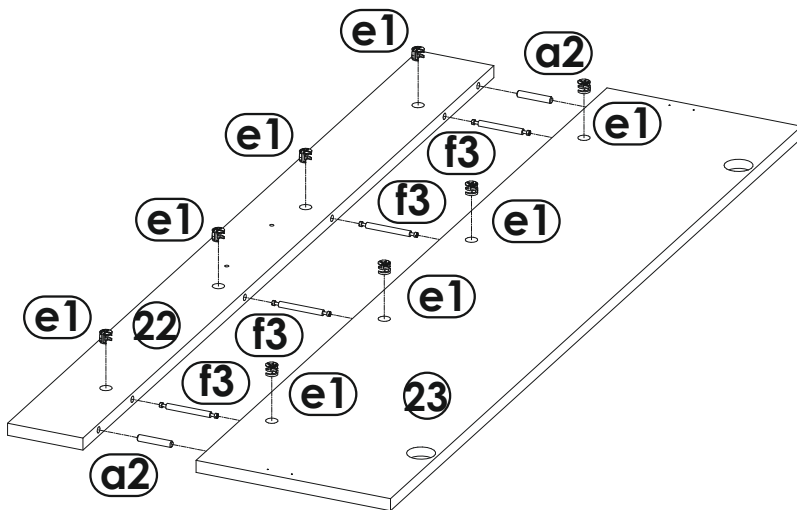
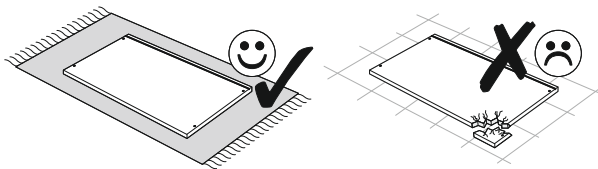


a1 8x35 x...(x12)	a2 8x45 x...(x2)	b02 x...(x2)	b3a x...(x2)	c1 Euro 4x13 x...(x4)	d2 x...(x4)
e0 MARBELLA x...(x10)	e0 WEISS x...(x4)	e1 x...(x14)	f1 3x16 x...(x6)	f3 3,5x16 x...(x4)	g0 x...(x6)
g1 7x50 x...(x6)	h1 x...(x1)	i4 3,5x27 x...(x2)	i10 3,5x22 x...(x5)	m x...(x1)	n1 3x16 x...(x10)
n2 3,5x16 x...(x6)	o1 x...(x5)	p x...(x2)	p5 x...(x2)	r4 x...(x12)	

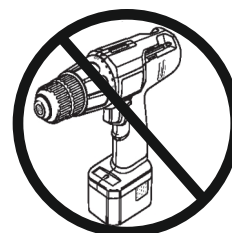
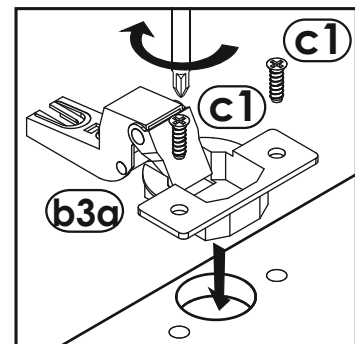
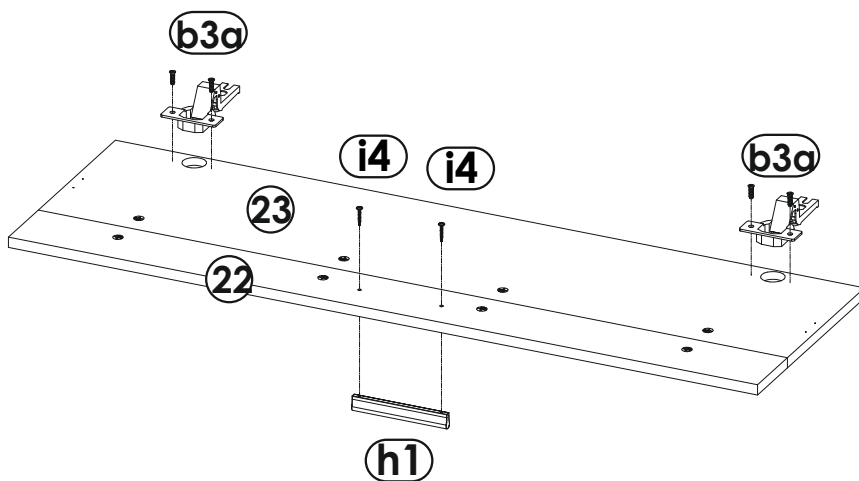
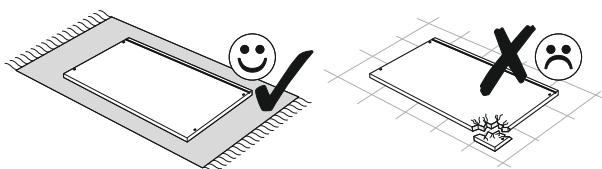




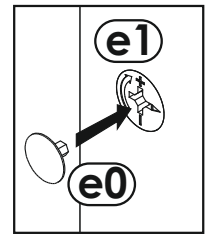
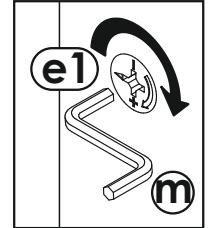
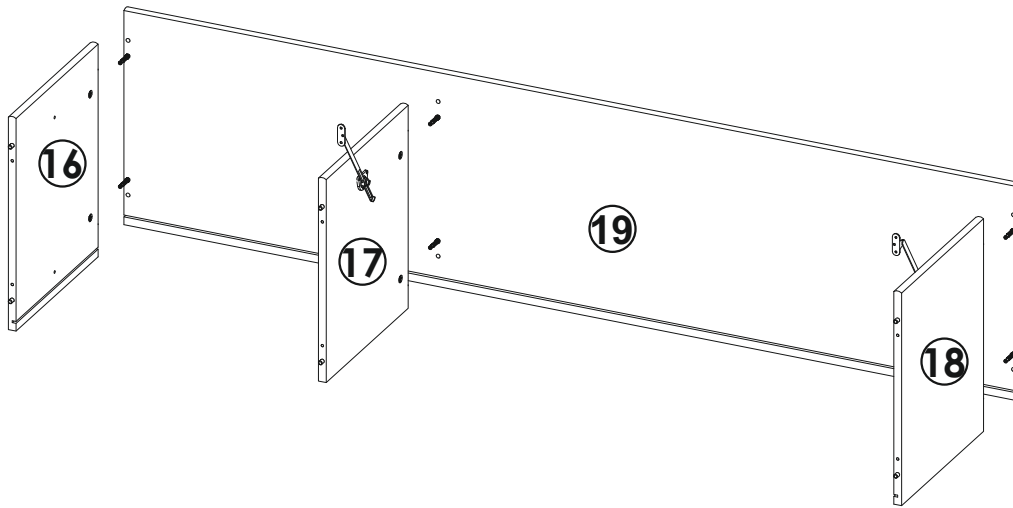
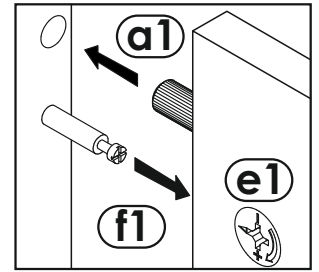
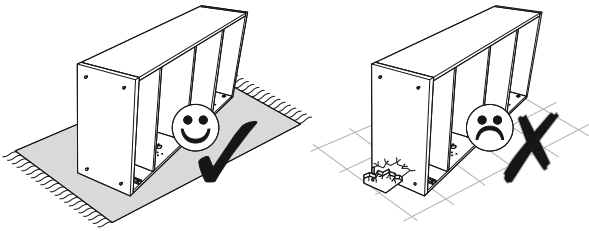
2



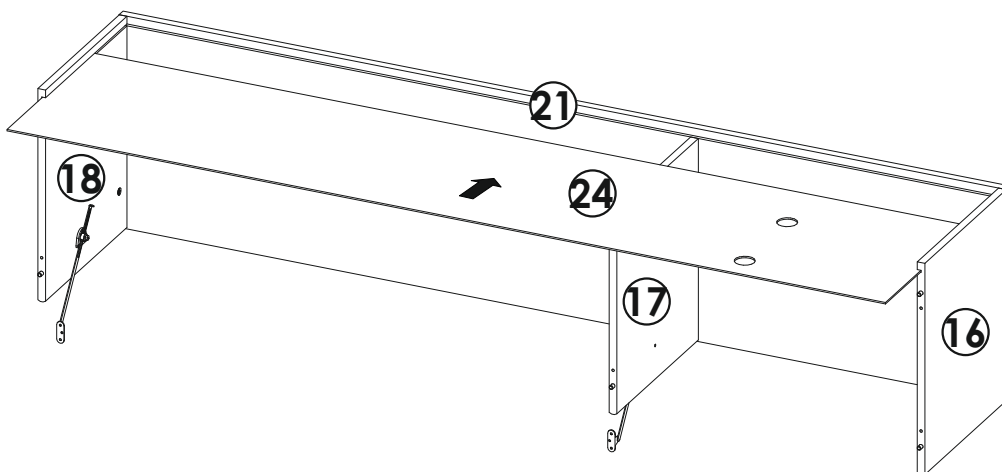
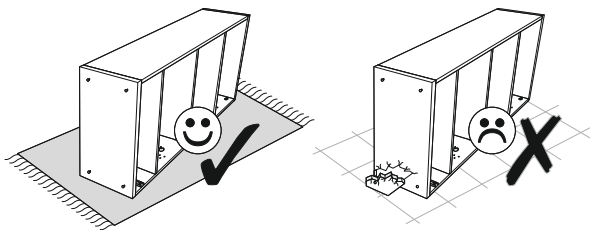
3



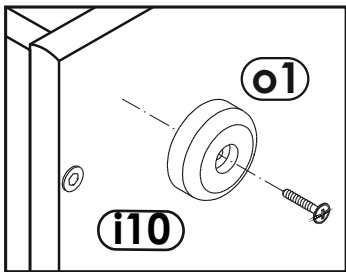
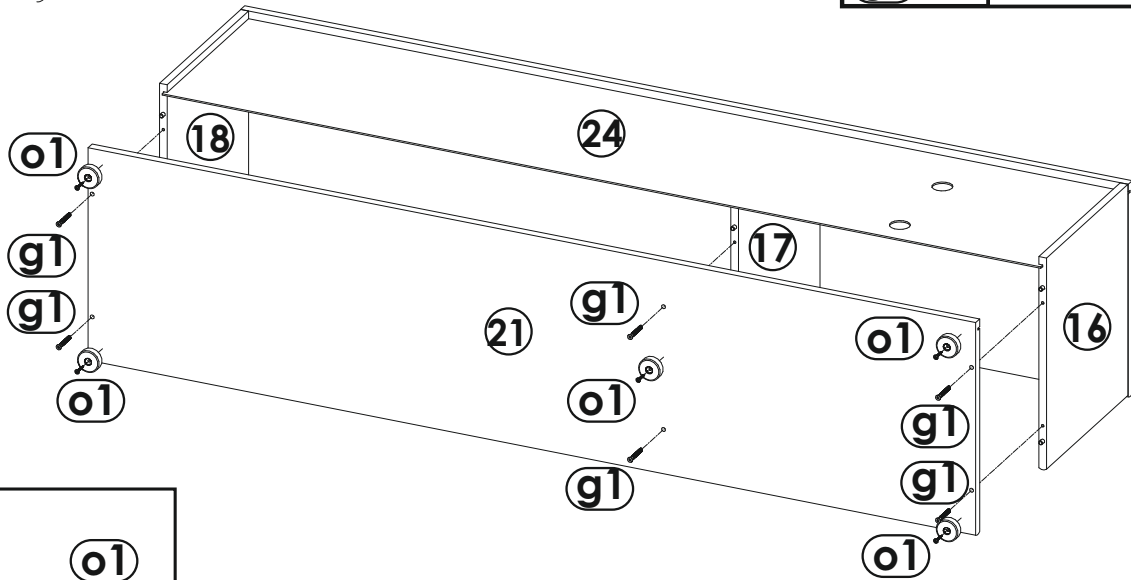
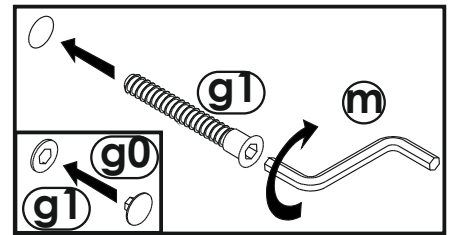
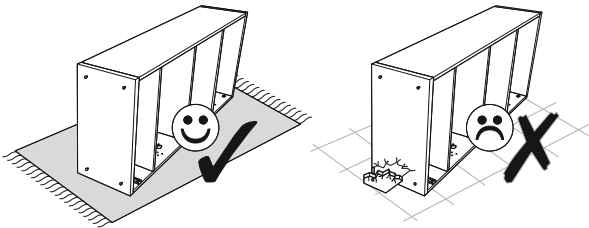
4
▼



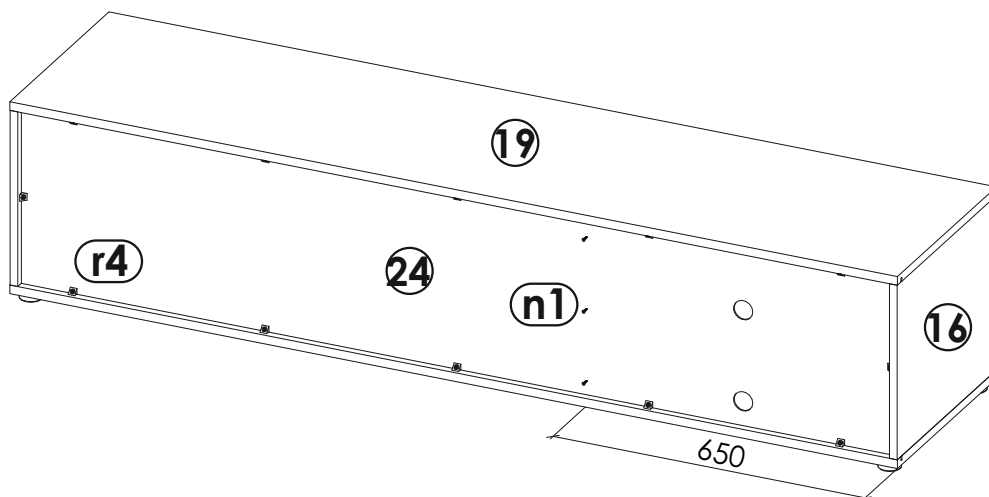
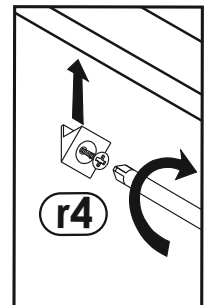
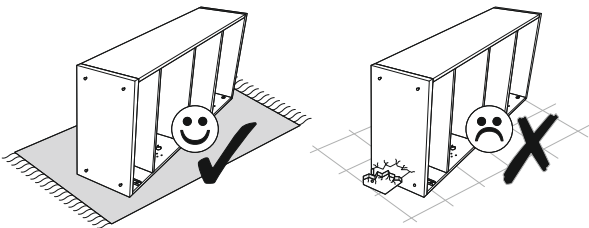
5
▼



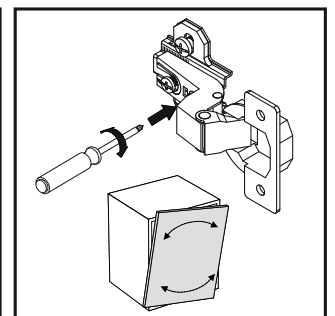
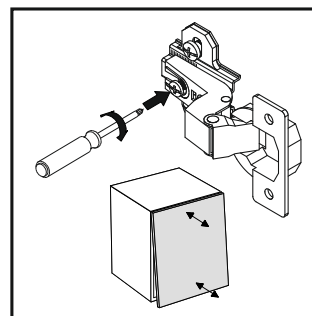
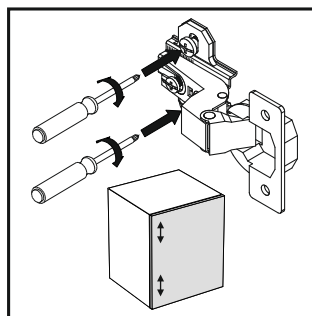
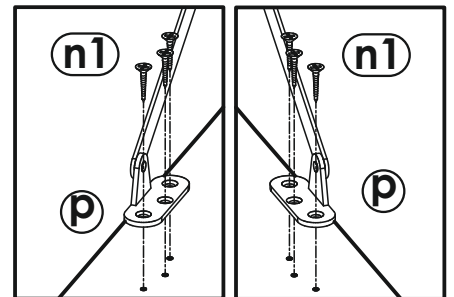
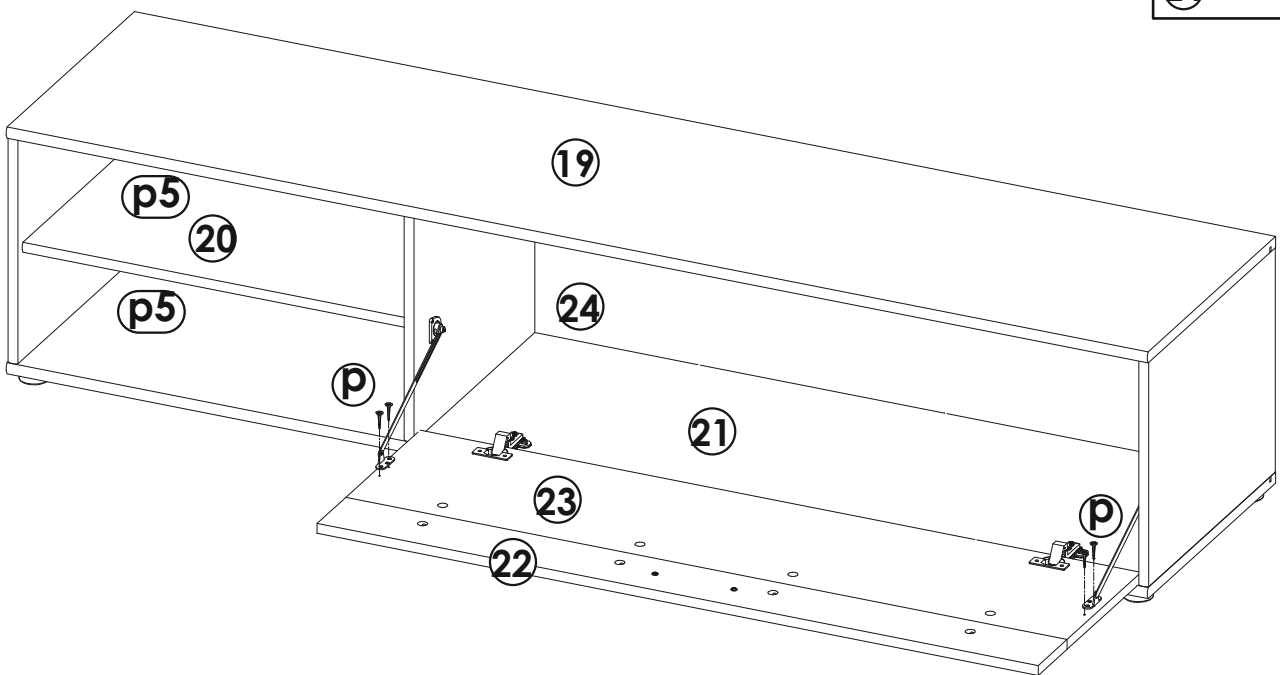
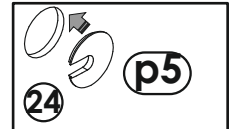
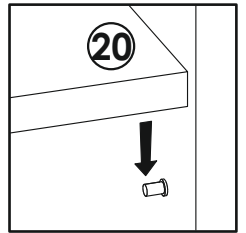
6
▼



7
▼



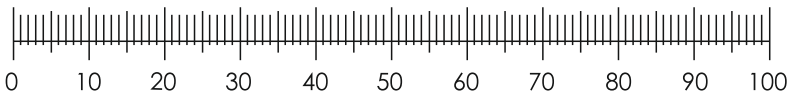
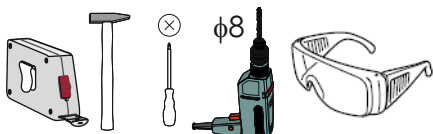
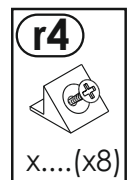
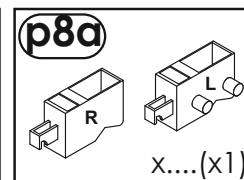
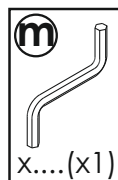
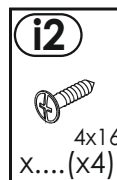
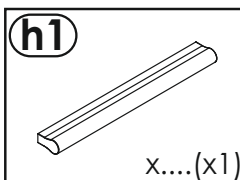
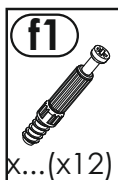
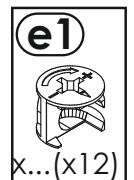
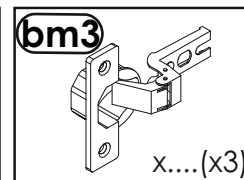
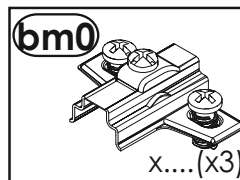
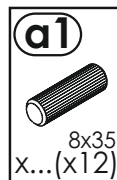
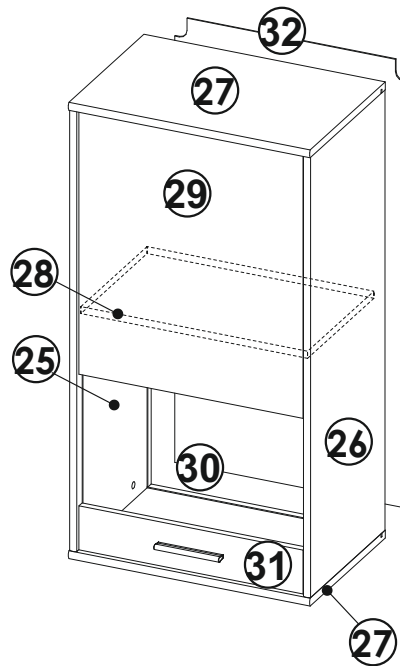
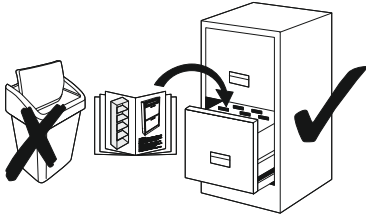
8



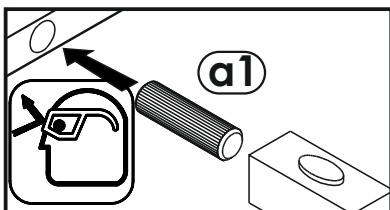
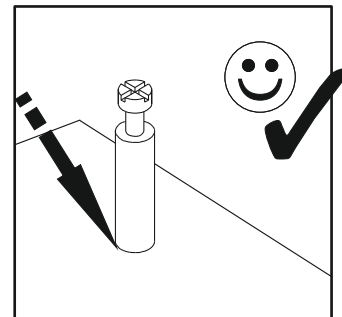
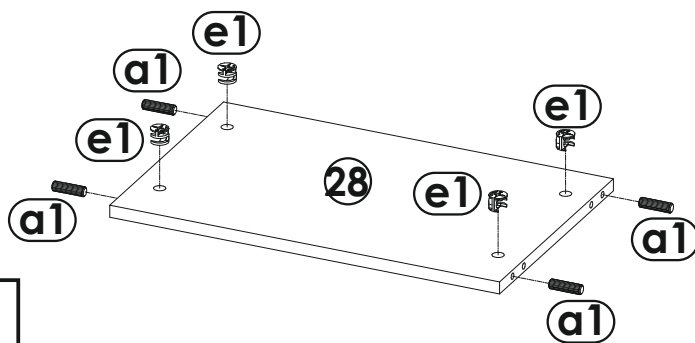
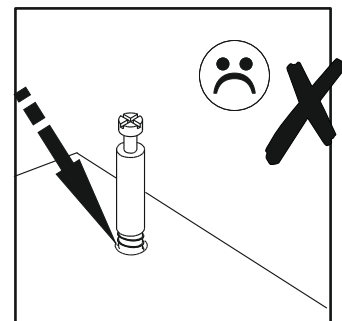
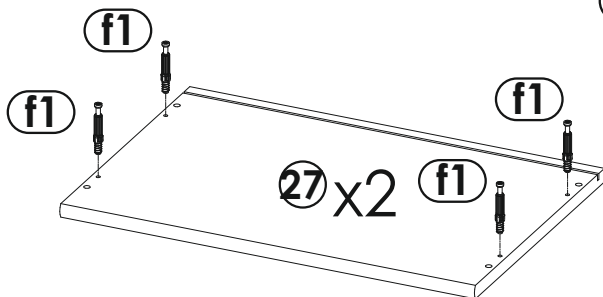
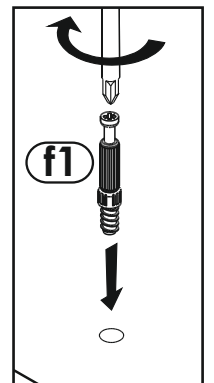
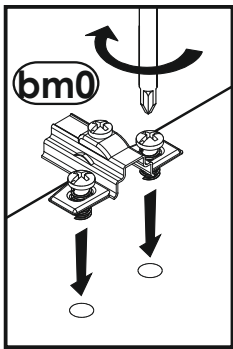
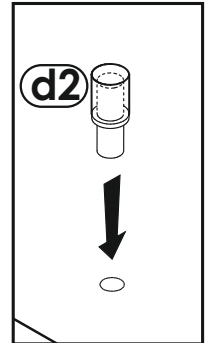
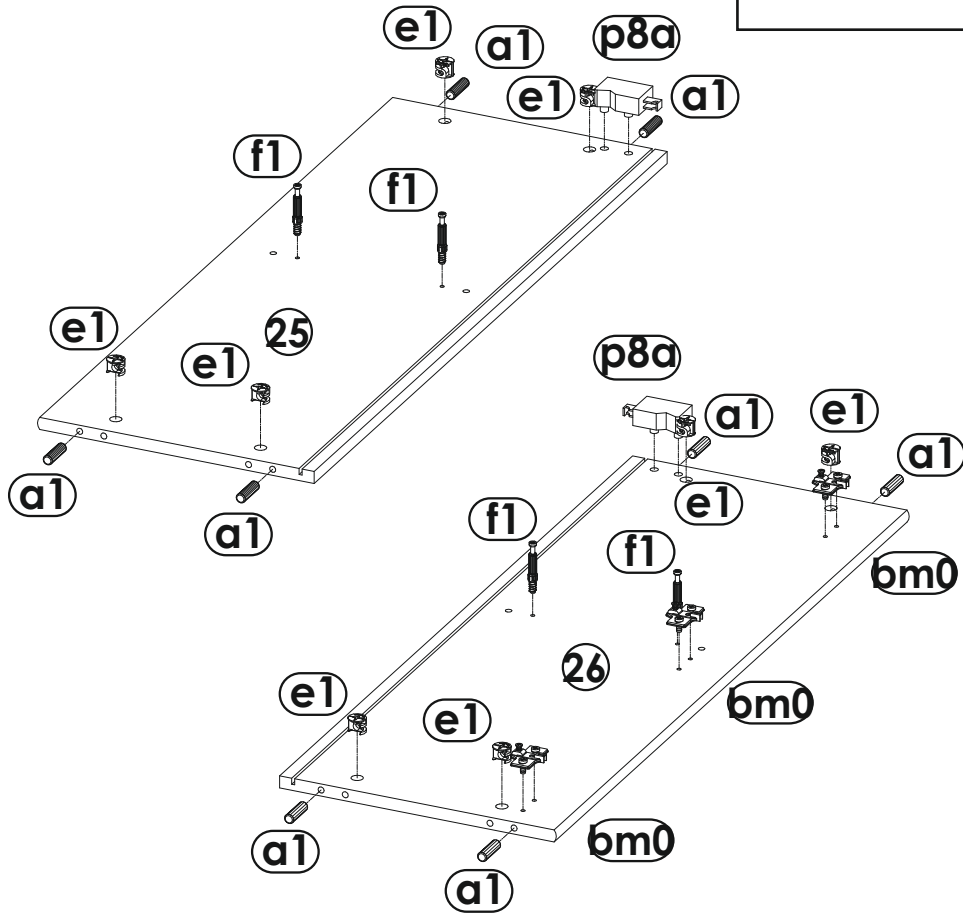
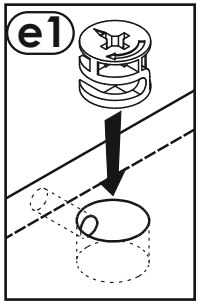
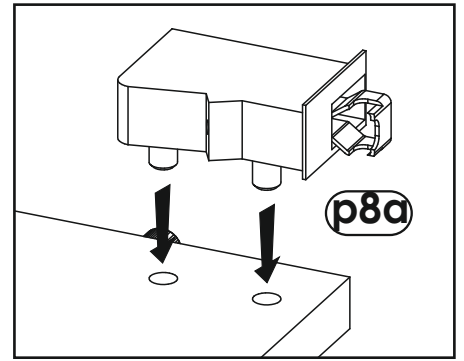
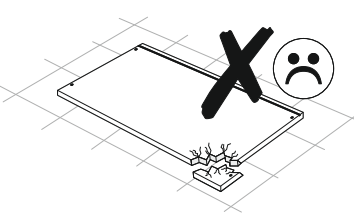
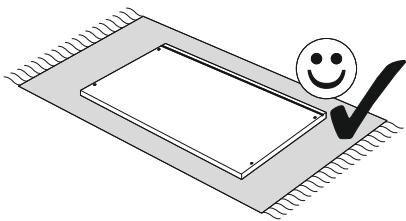
1803

CASH

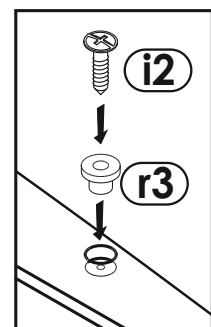
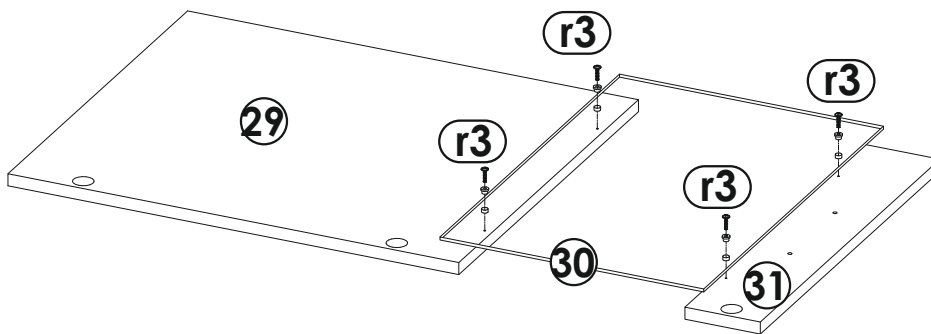
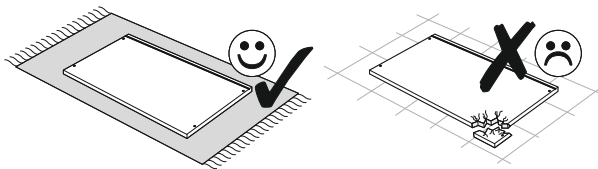
T3



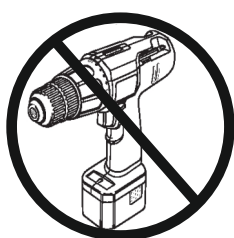
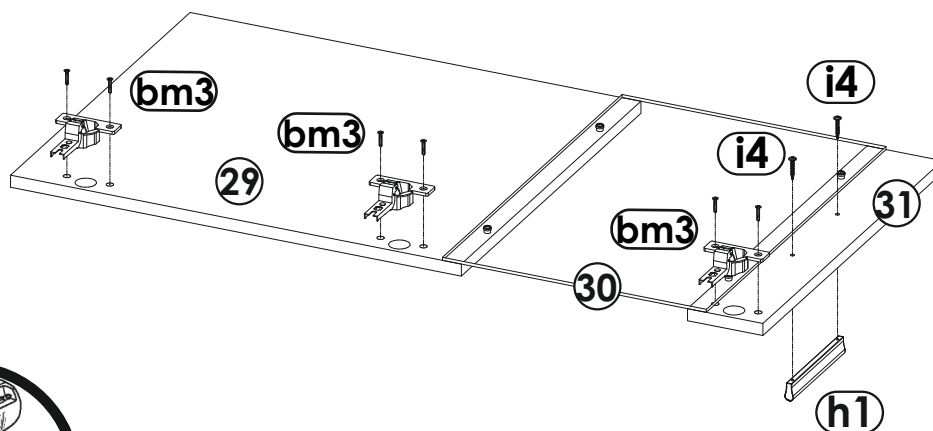
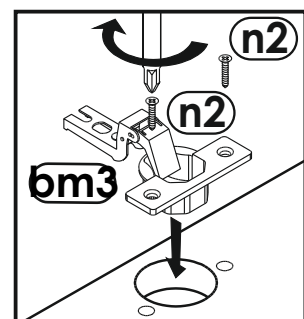
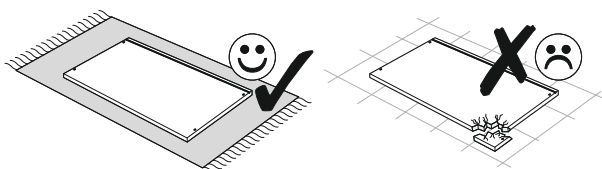
1
▼



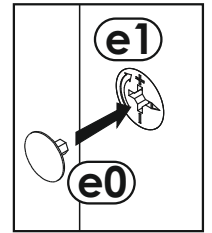
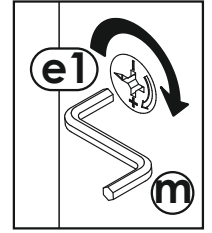
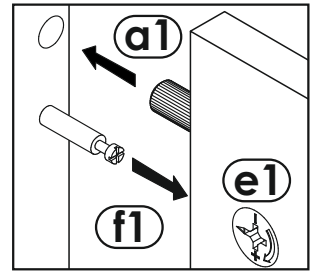
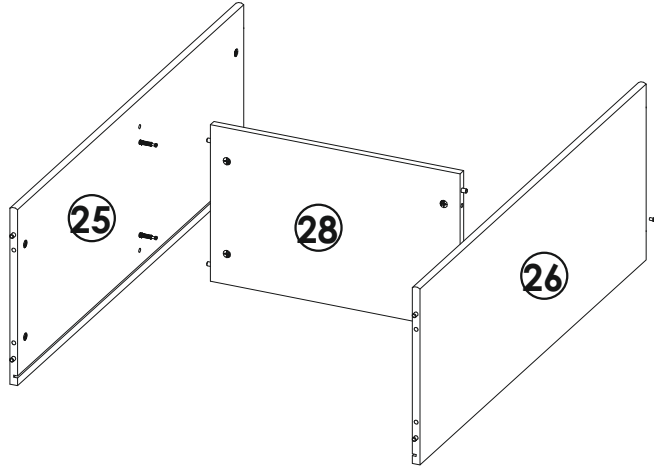
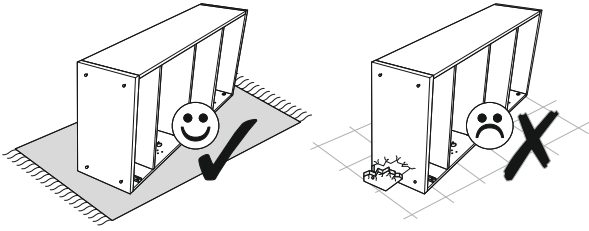
2
▼



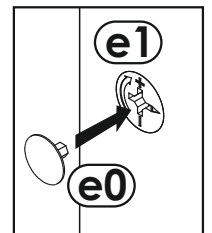
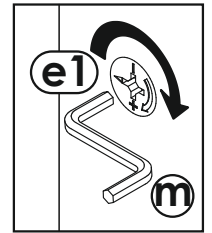
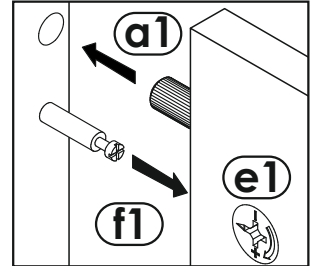
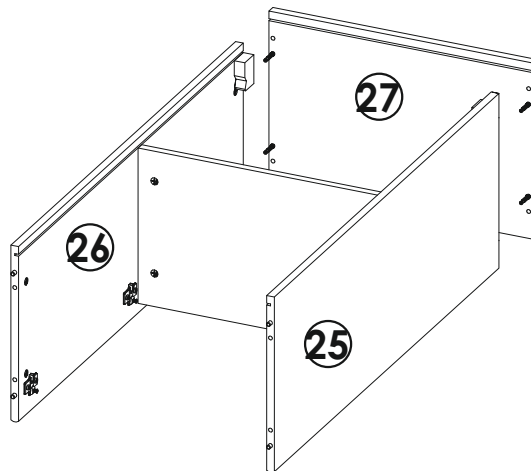
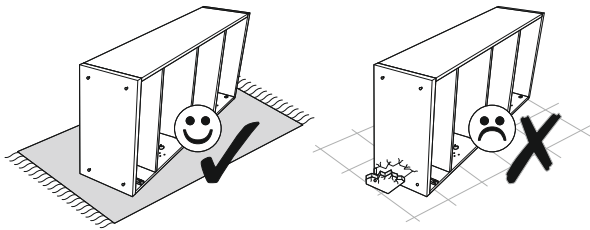
3
▼



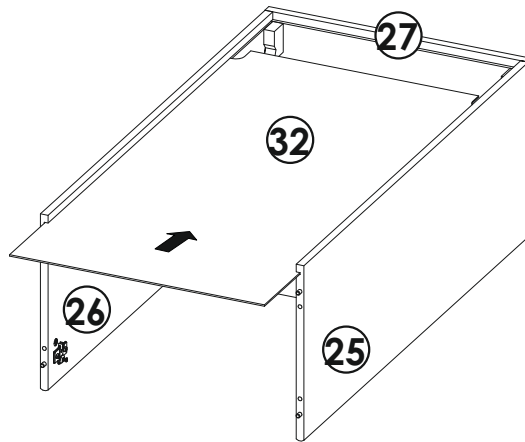
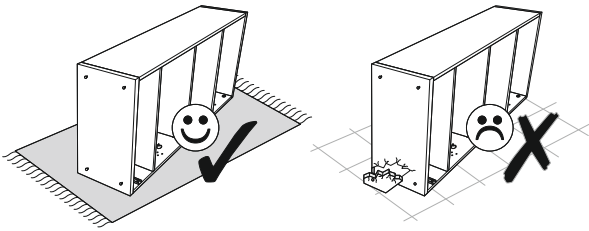
4
▼



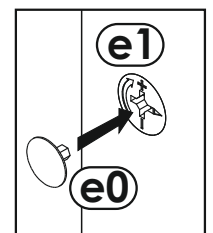
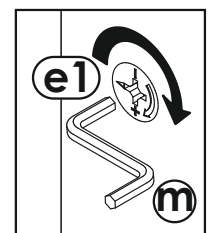
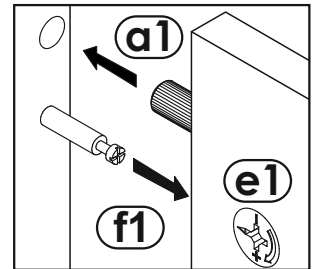
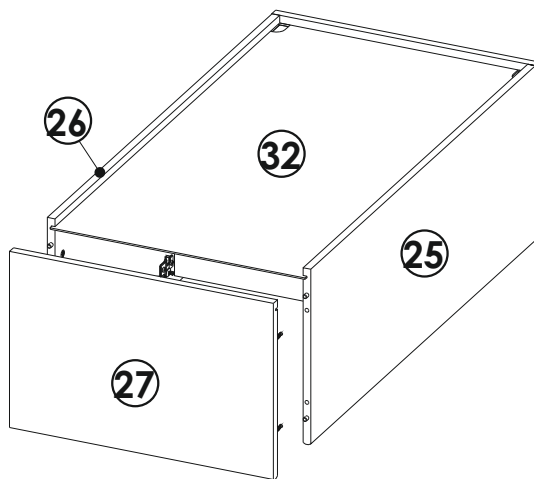
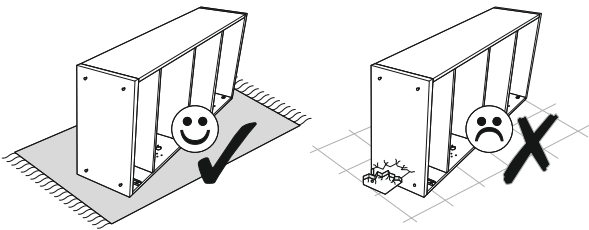
5
▼

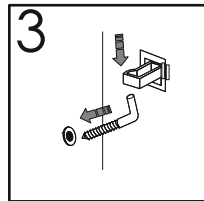
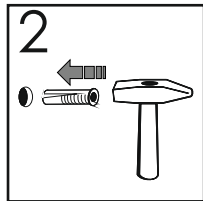
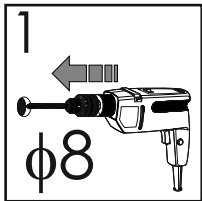
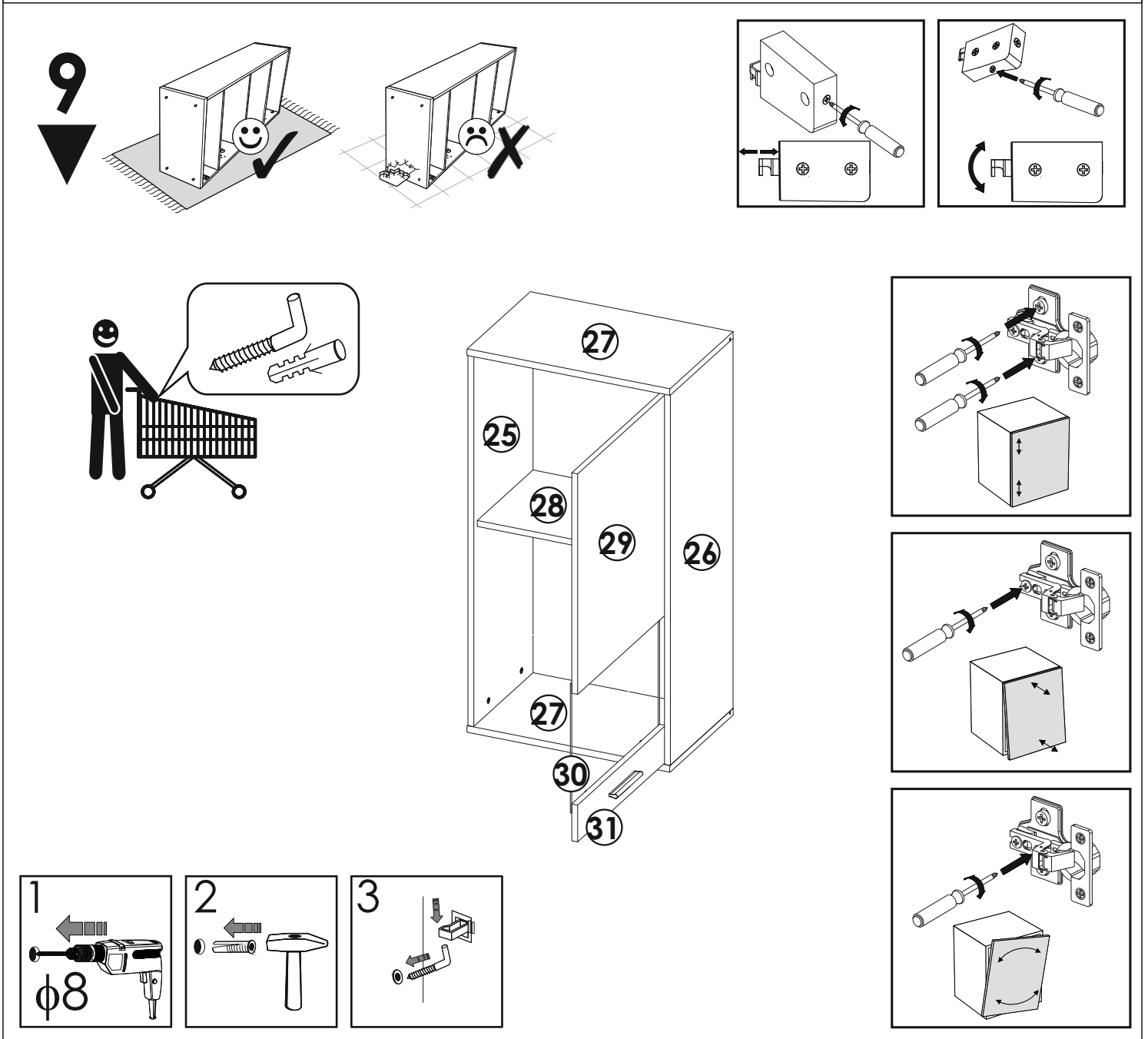
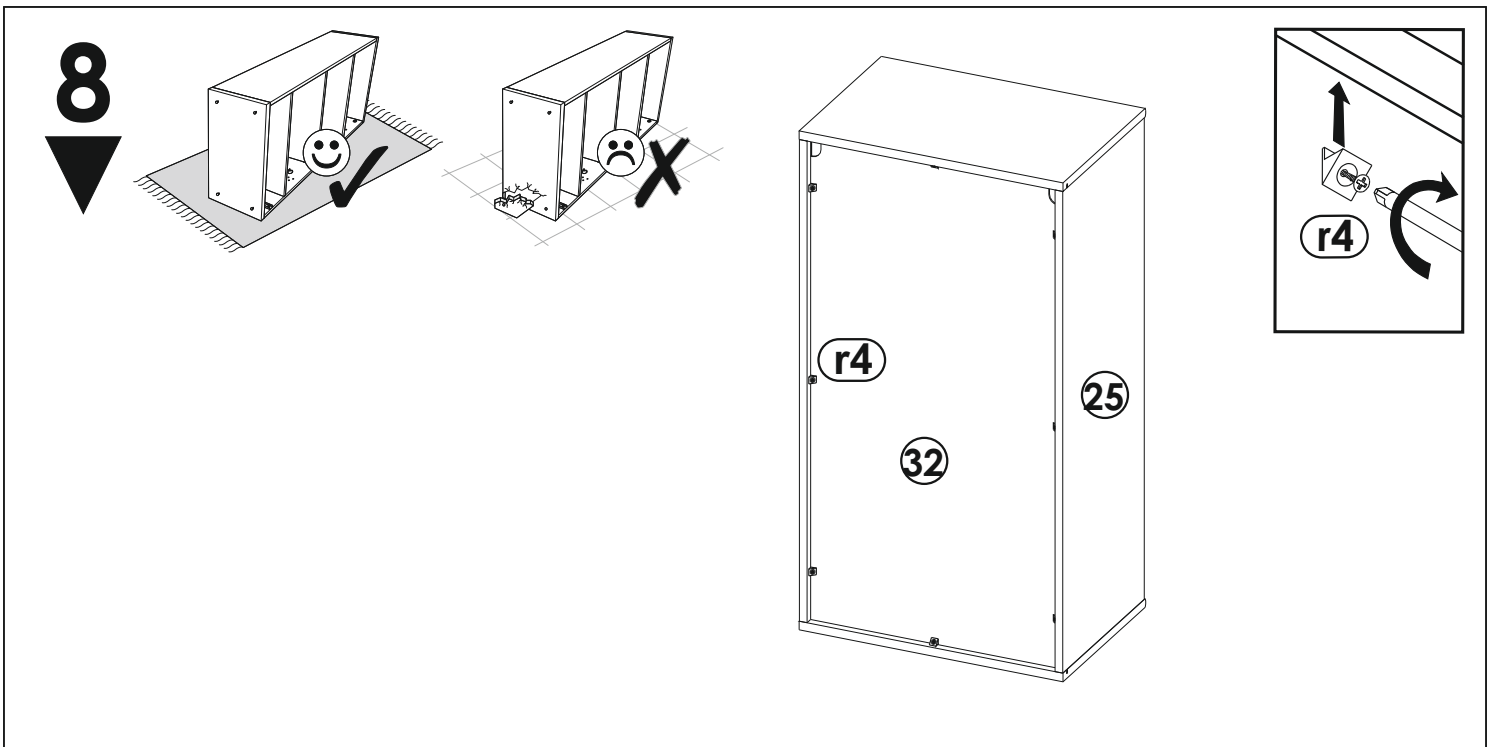


6
▼



7
▼

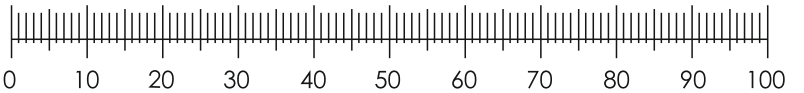
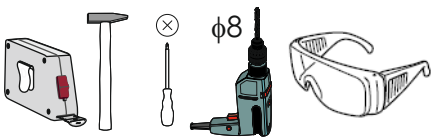
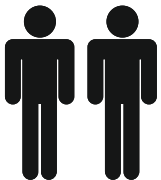
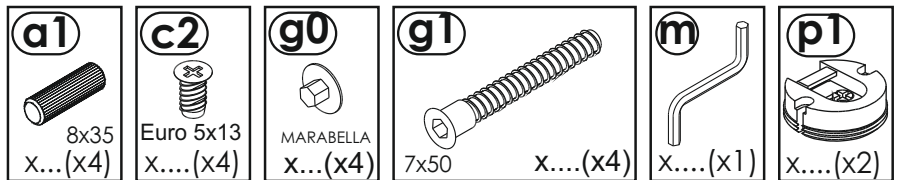
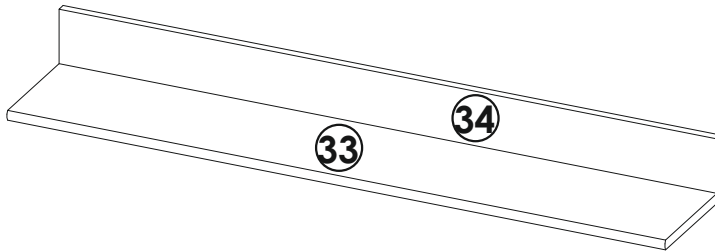
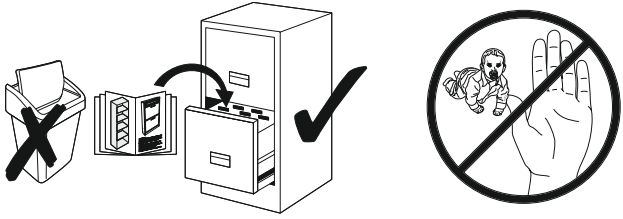




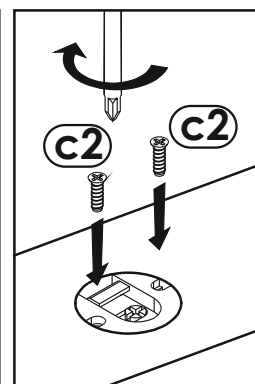
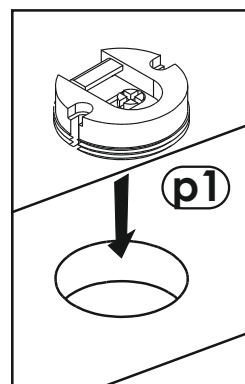
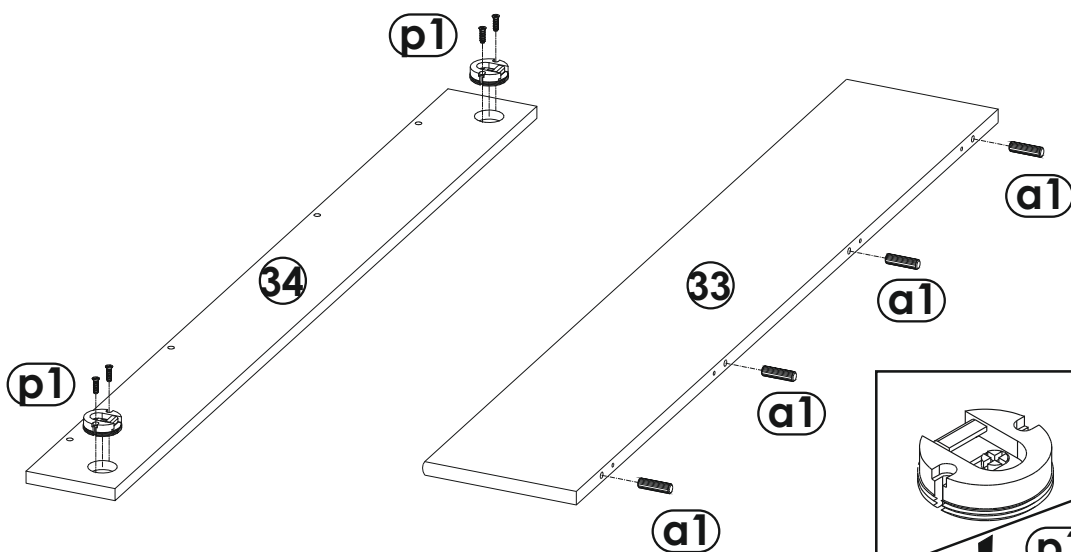
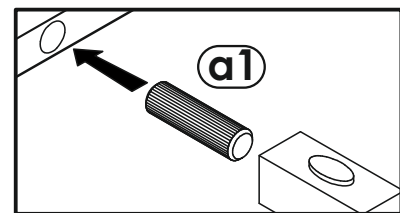
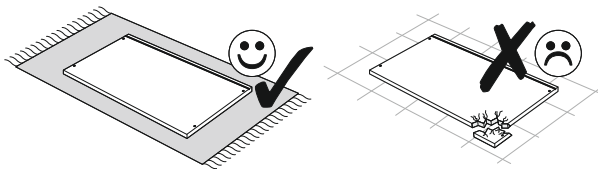
1803

CASH

T4



2



3

