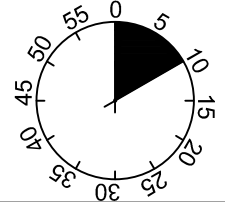
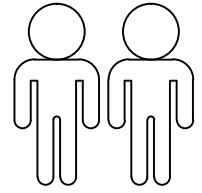
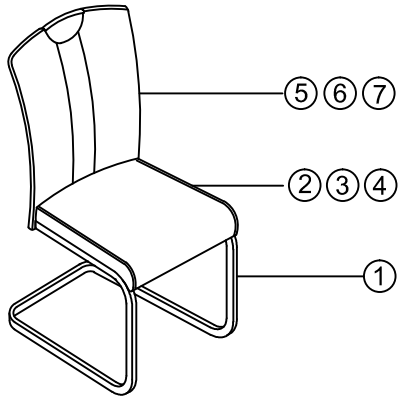
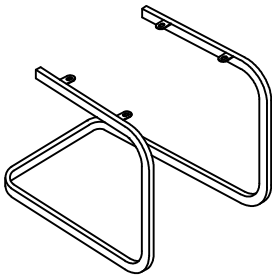


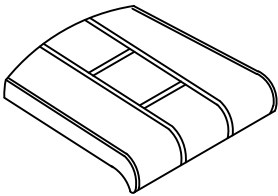
# Amber



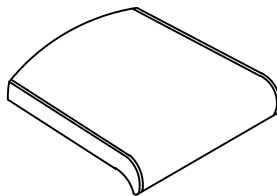
1



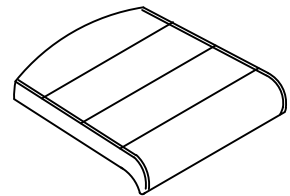
2



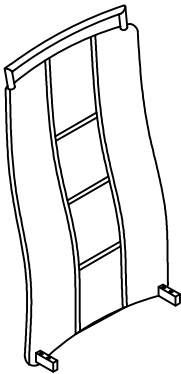
3



4



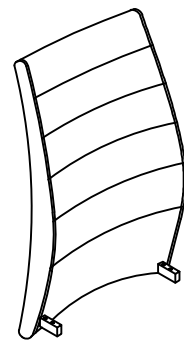
5







6



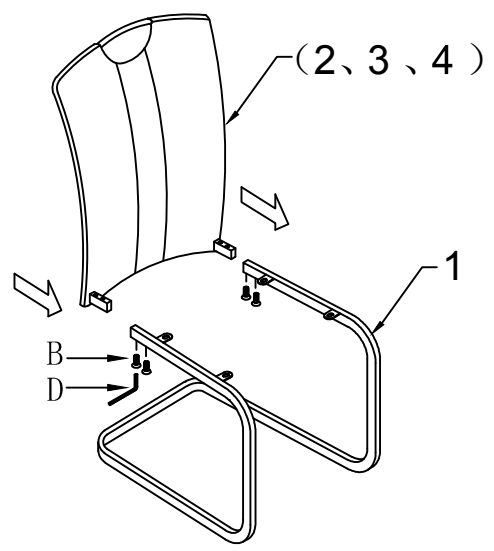
7



A	M6X20	B	M6X12	C	Ø18xØ6x1.5	D	4MM
	4x		4x		4x		1x

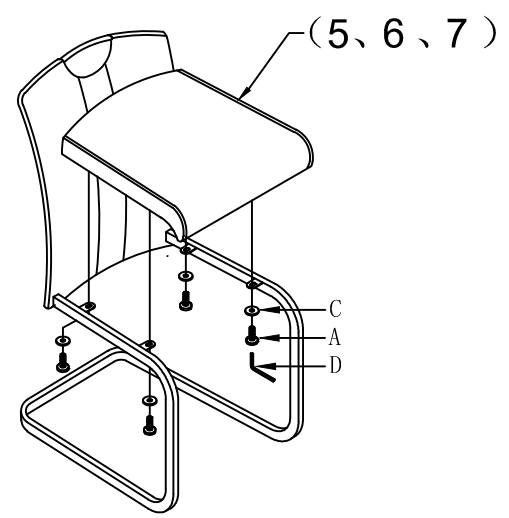
I.

1



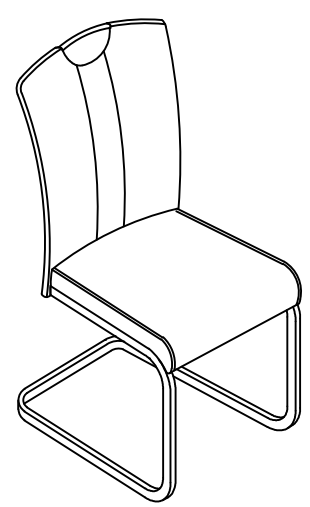
B	M6x12
	4x
D	4MM
	1x

2



A	M6X20
	4x
C	Ø18xØ6x1.5
	4x
D	4MM
	1x

3



D	4MM
	1x

