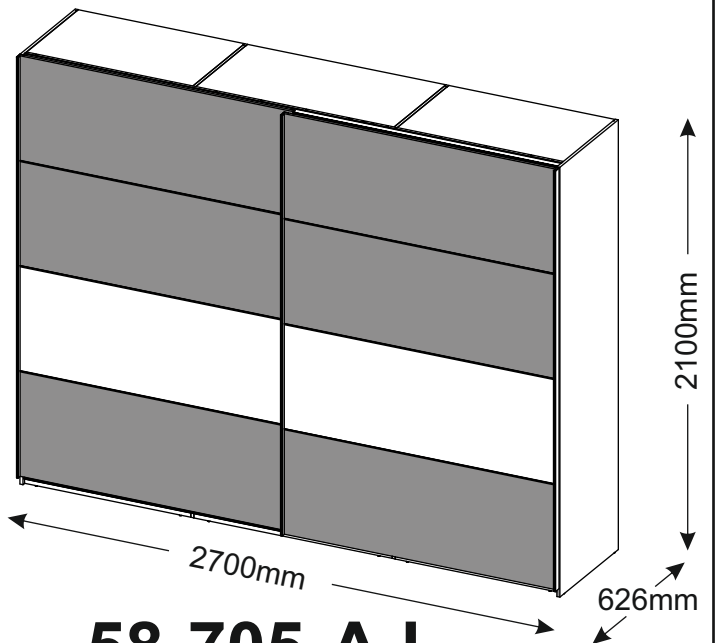
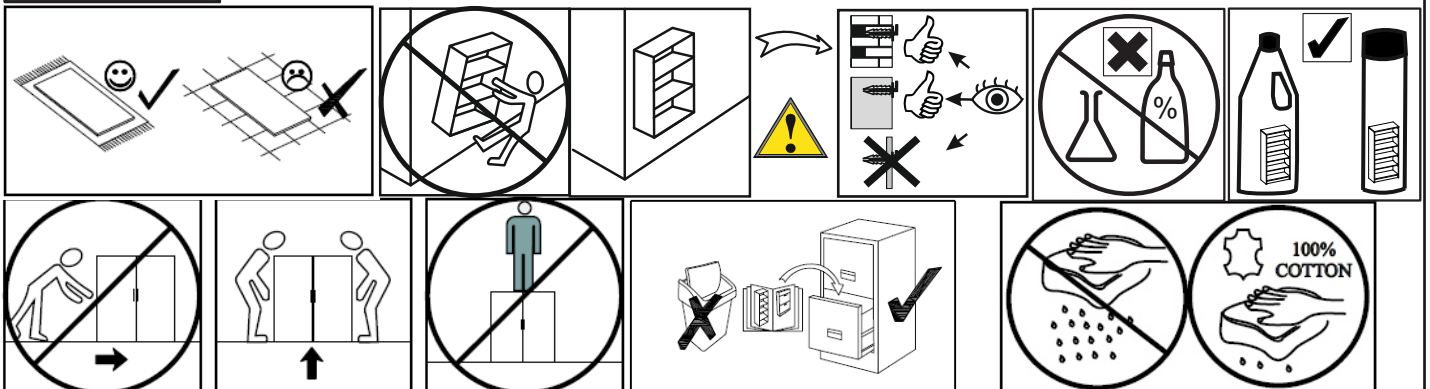
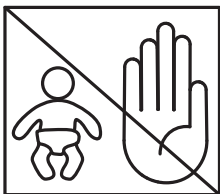
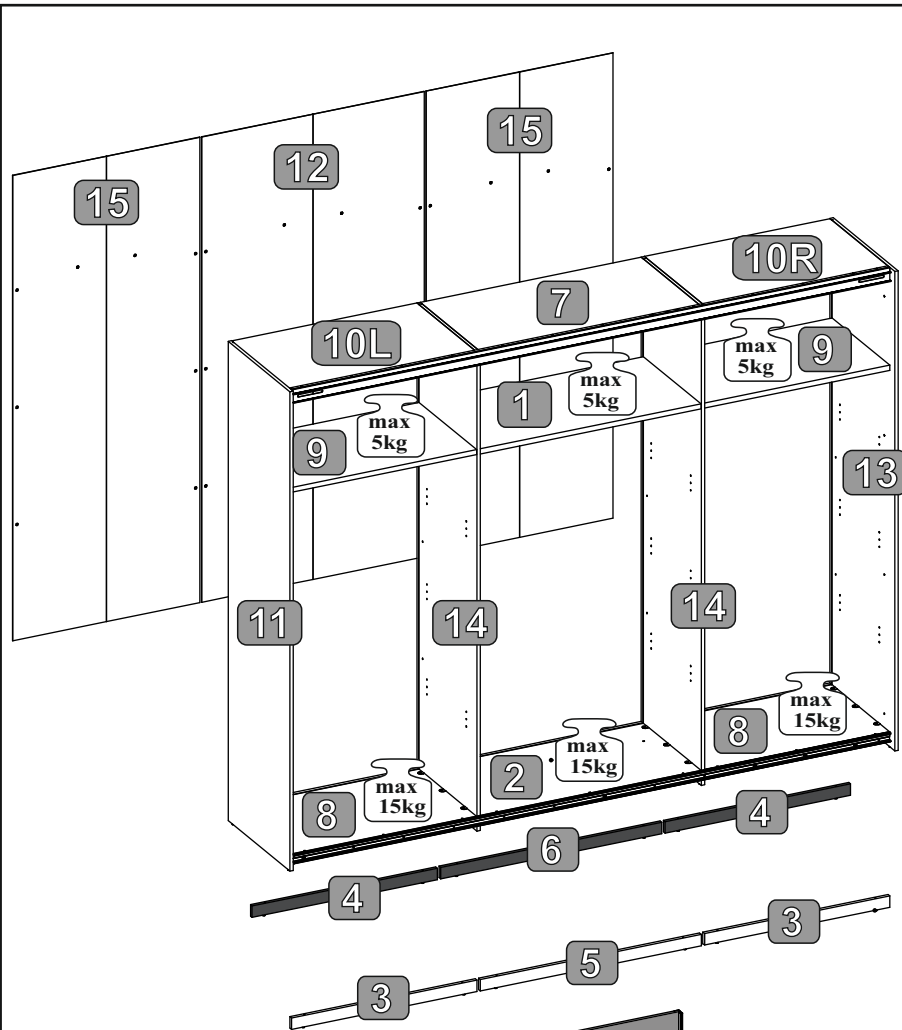


58-705-L0

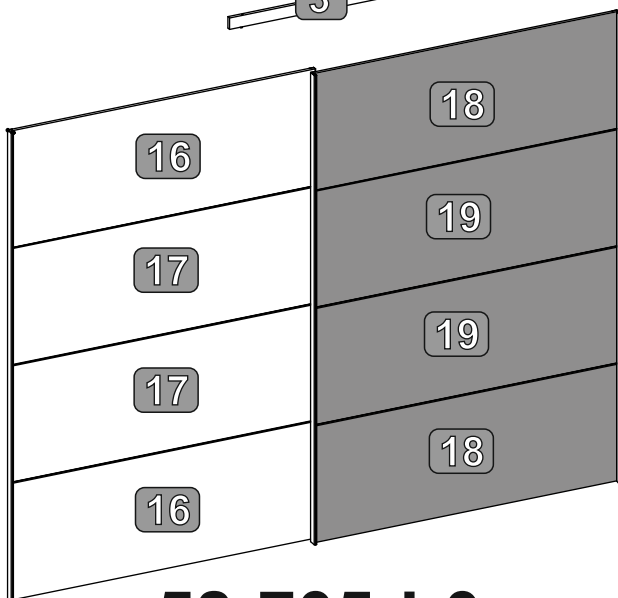


58-705-AJ

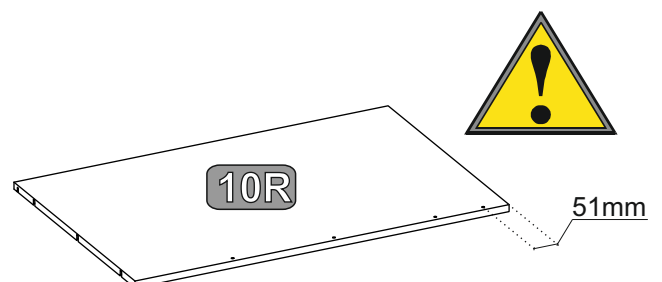
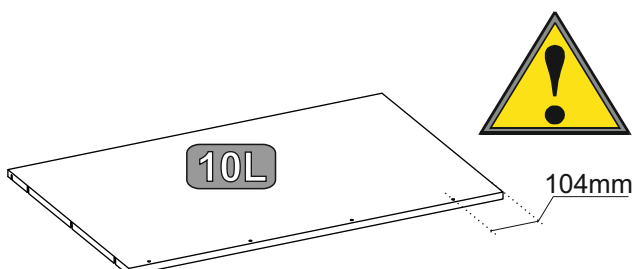


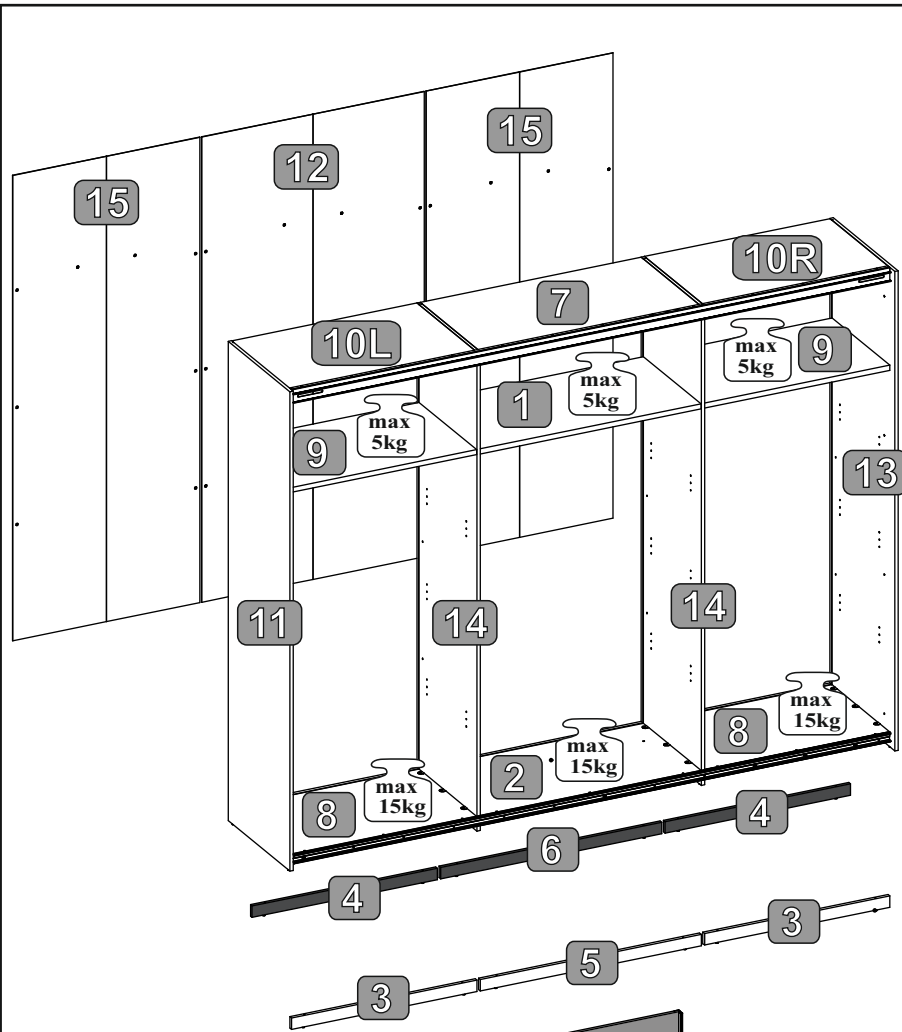


NR	DIM	QTE	COLLI
1	986x515x22	1	1/7
2	986x535x15	1	1/7
3	827x50x15	2	1/7
4	827x50x15	2	1/7
5	986x50x15	1	1/7
6	986x50x15	1	1/7
7	986x535x15	1	1/7
8	827x535x15	2	2/7
9	827x515x22	2	2/7
10R	827x535x15	1	2/7
10L	827x535x15	1	2/7
11	2095x551x15	1	3/7
12	2033x2x993	1	3/7
13	2095x580x15	1	3/7
14	2094x535x15	2	4/7
15	2033x834x2	2	4/7
16	1365x512,5x15	2	5/7
17	1365x512,5x15	2	5/7
18	1365x512,5x15	2	6/7
19	1365x512,5x15	2	6/7

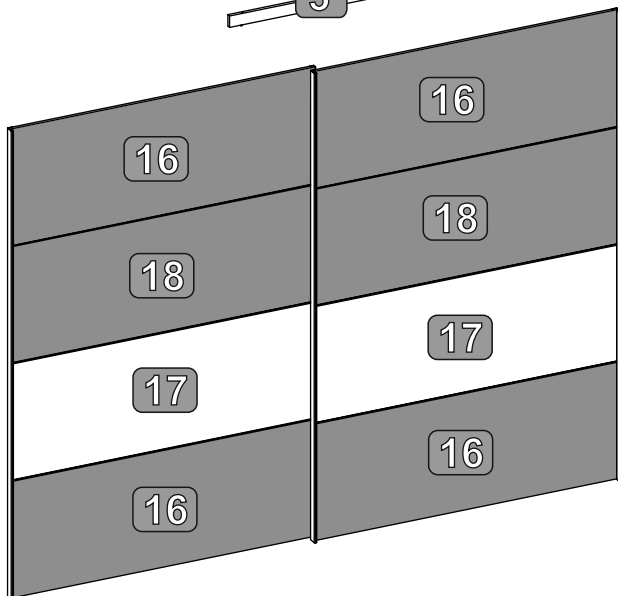


58-705-L0

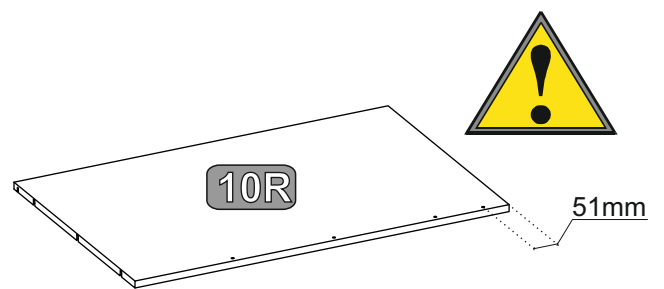
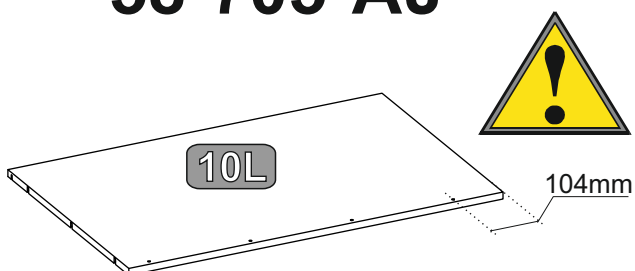


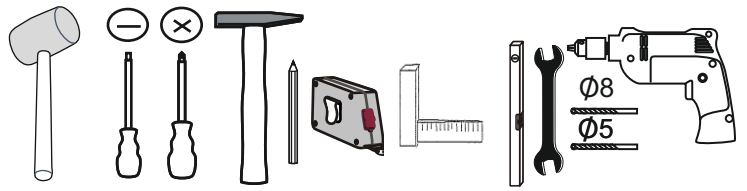
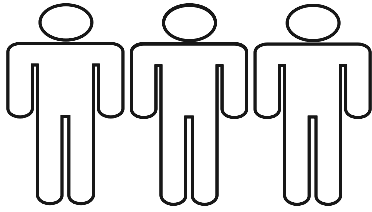


NR	DIM	QTE	COLLI
1	986x515x22	1	1/7
2	986x535x15	1	1/7
3	827x50x15	2	1/7
4	827x50x15	2	1/7
5	986x50x15	1	1/7
6	986x50x15	1	1/7
7	986x535x15	1	1/7
8	827x535x15	2	2/7
9	827x515x22	2	2/7
10R	827x535x15	1	2/7
10L	827x535x15	1	2/7
11	2095x551x15	1	3/7
12	2033x2x993	1	3/7
13	2095x580x15	1	3/7
14	2094x535x15	2	4/7
15	2033x834x2	2	4/7
16	1365x512,5x15	4	5/7;6/7
17	1365x512,5x15	2	5/7;6/7
18	1365x512,5x15	2	5/7;6/7



58-705-AJ



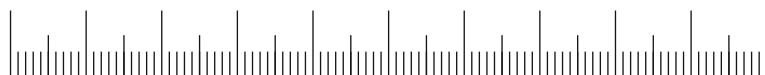


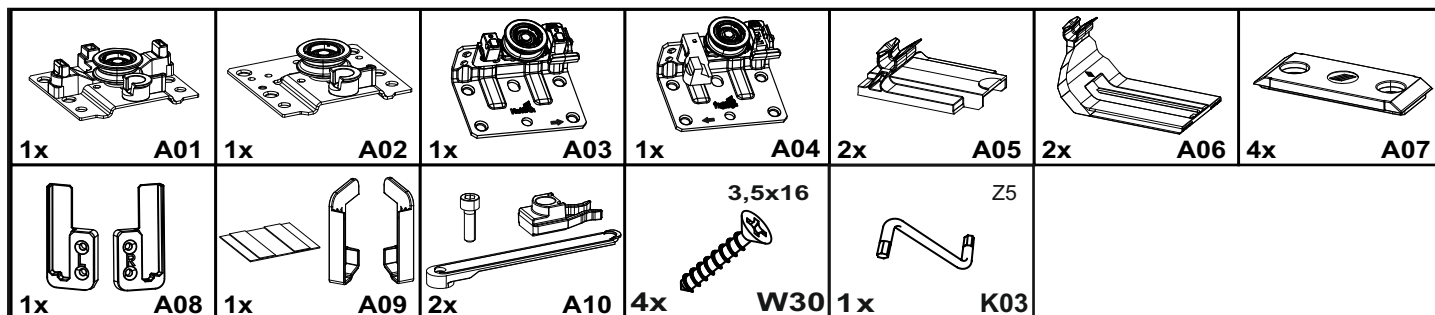
 48x T05	 48x T04	 18x W16	 18x C02	 24x R02	 24x W20	 20x S01
 6x E03	 166x W02	 24x W12	 12x W49	 18x W08	 3x Za2	 1x K02
 2x F01	 2x F11	 2x F13	 4x W07	 1x J01	 2x J02	 4x KL2

LIV'IN

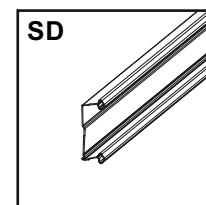
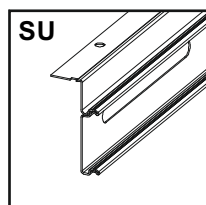
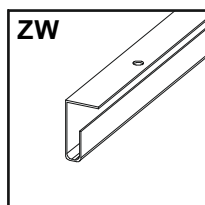
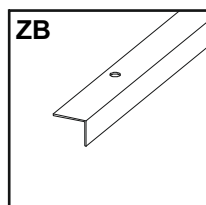
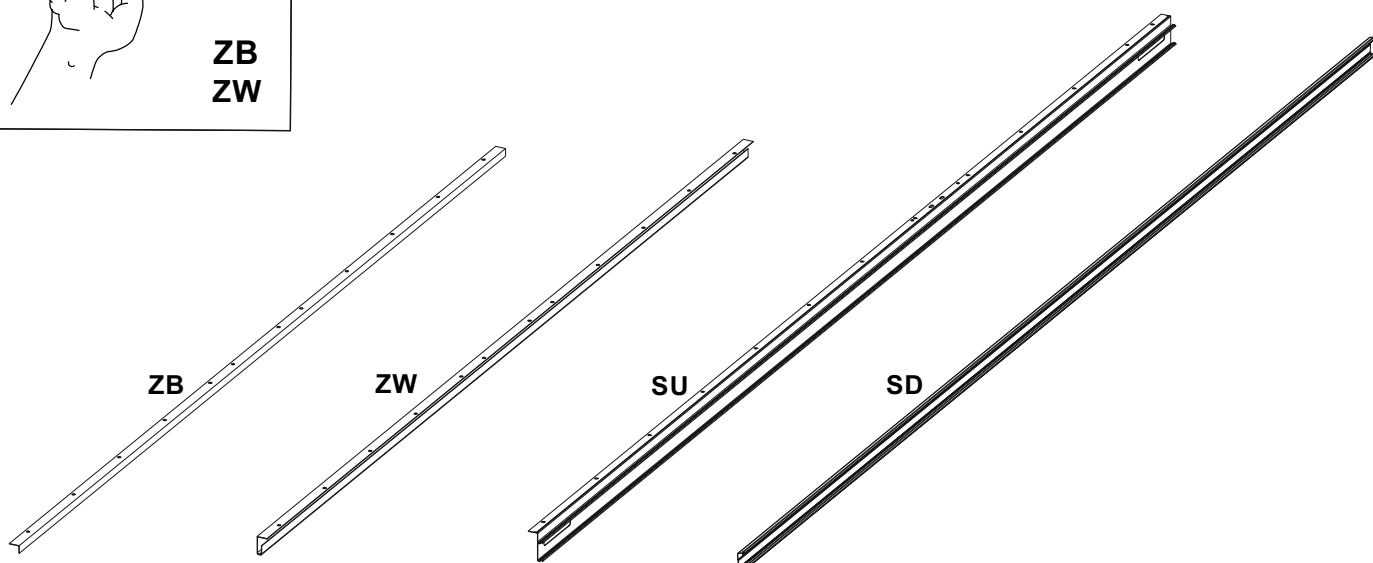
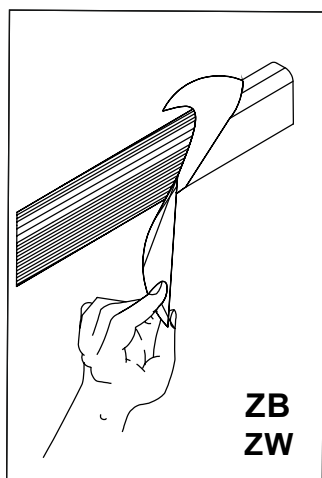
1x LIV'IN

0 10 20 30 40 50 60 70 80 90 100

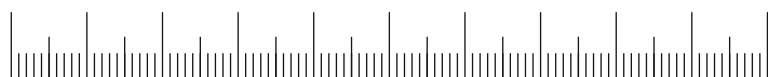




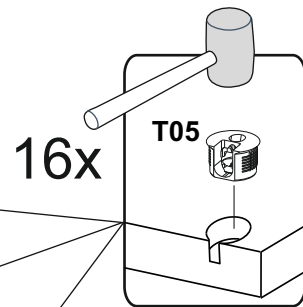
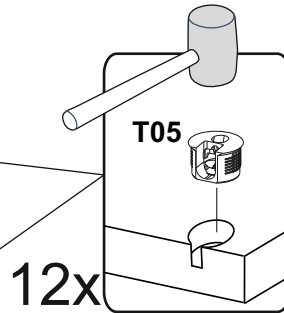
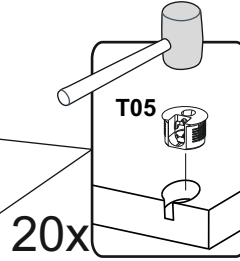
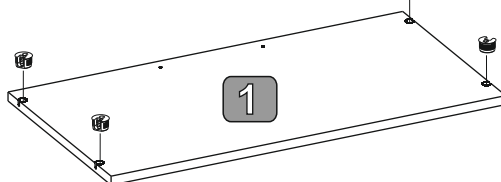
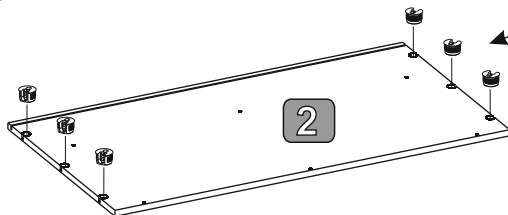
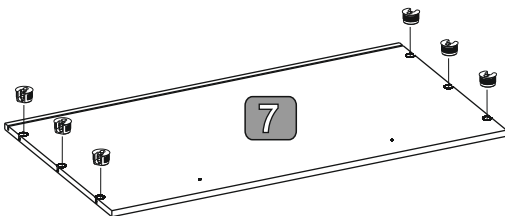
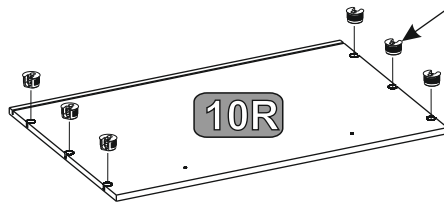
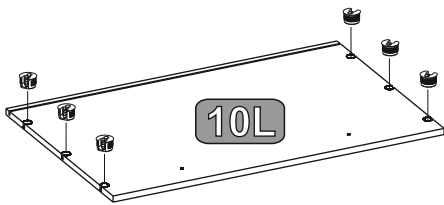
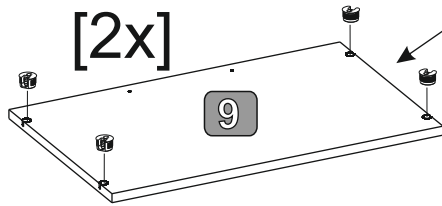
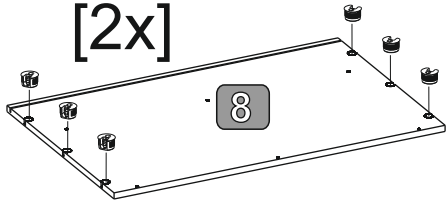
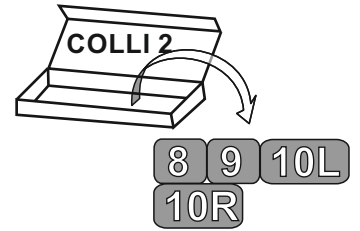
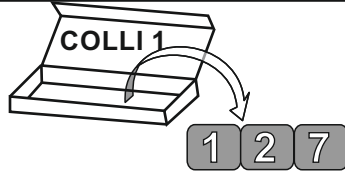
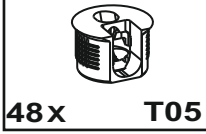
NR	DIM	QTE	COLLI
ZB	L-2050	1	7/7
ZW	L-2050 H-37	3	7/7
SU	L-2668	1	7/7
SD	L-2664	1	7/7



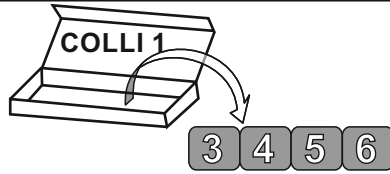
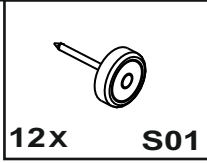
0 10 20 30 40 50 60 70 80 90 100



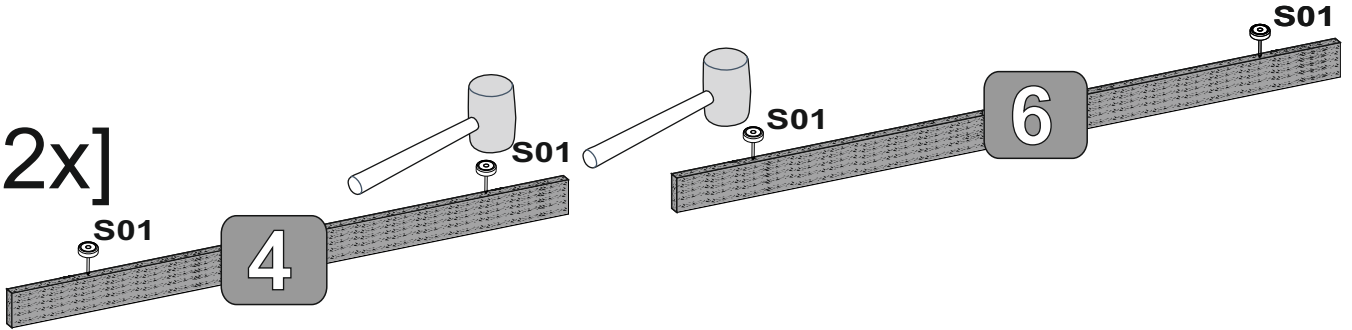
1



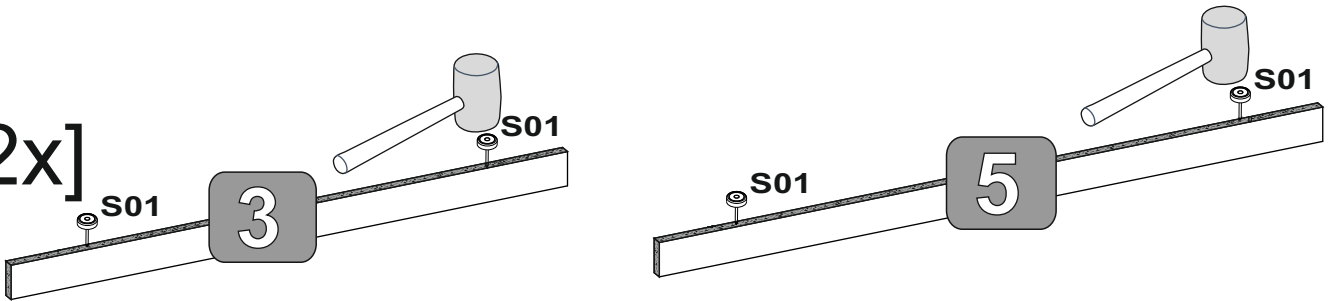
2



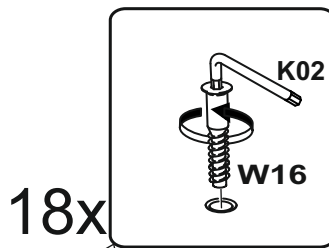
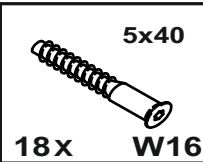
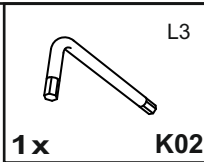
[2x]



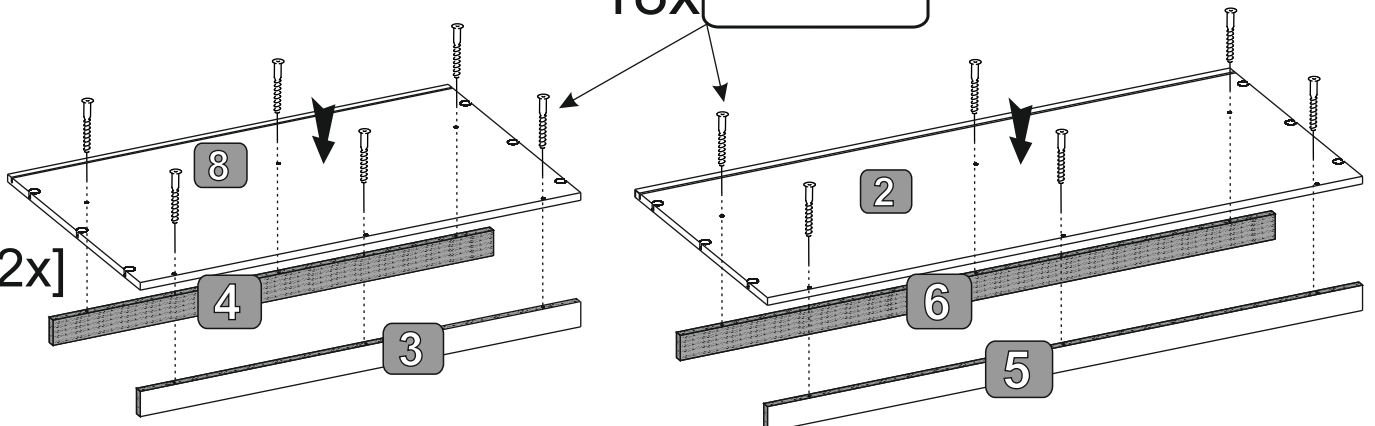
[2x]

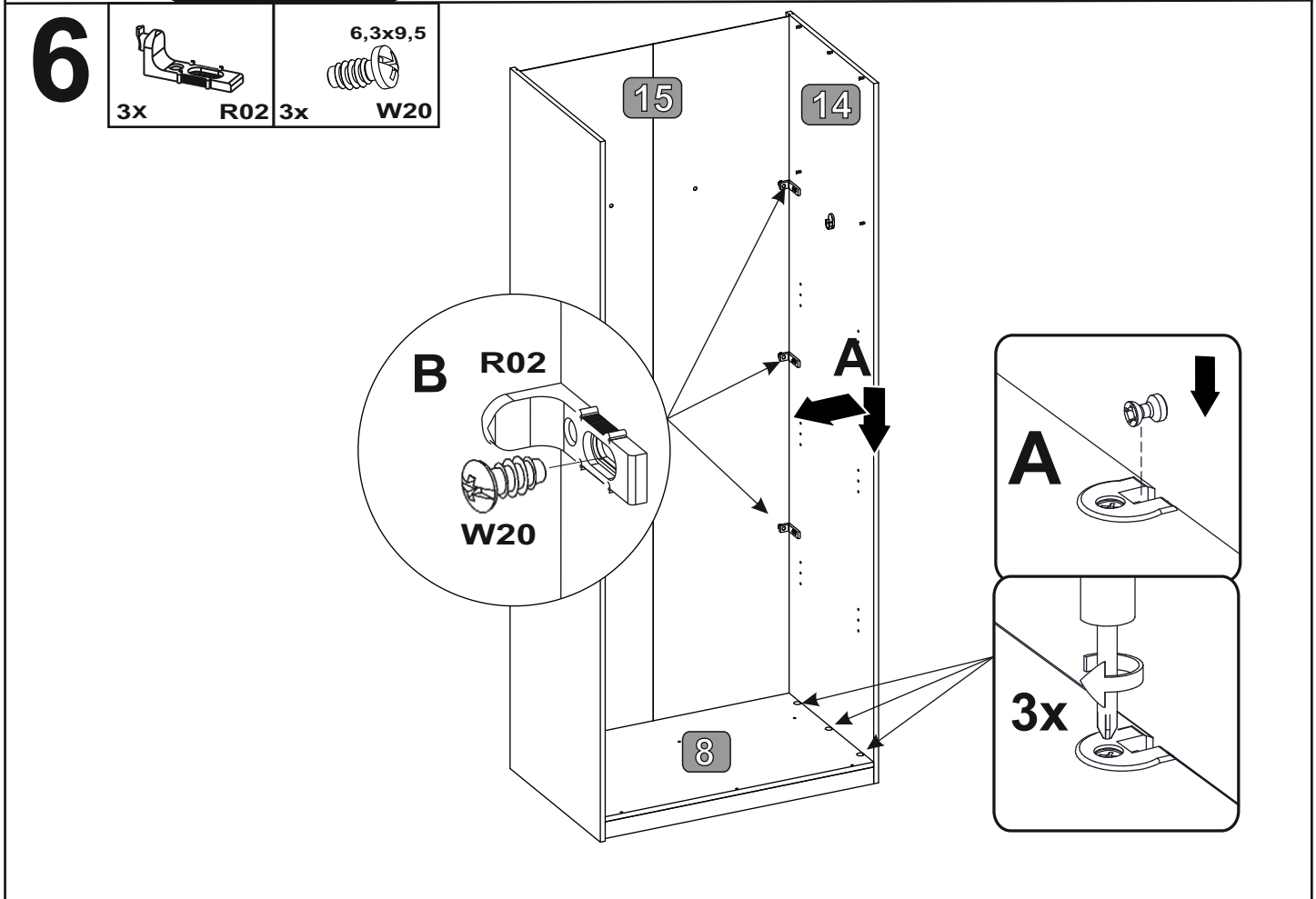
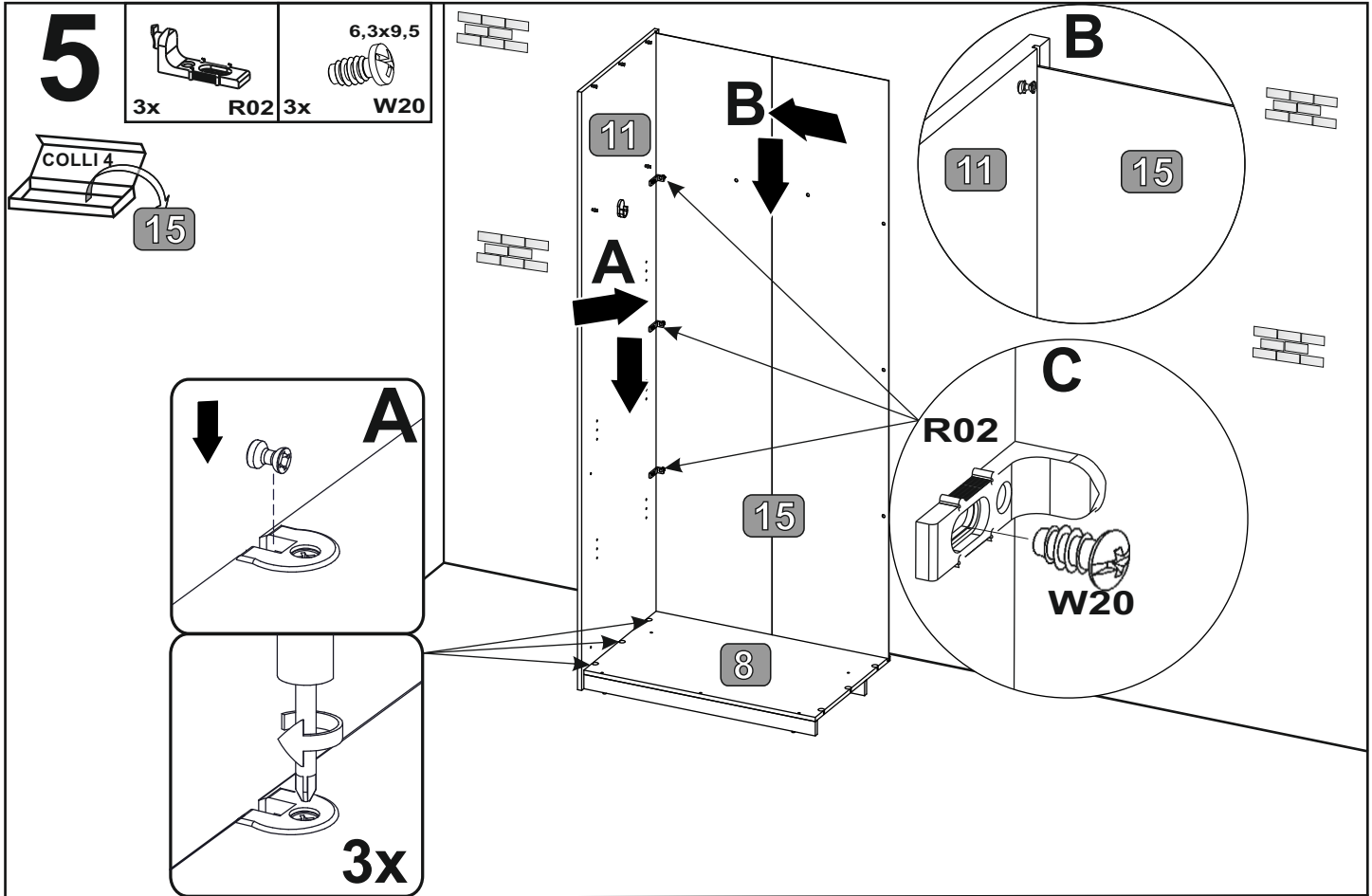


3

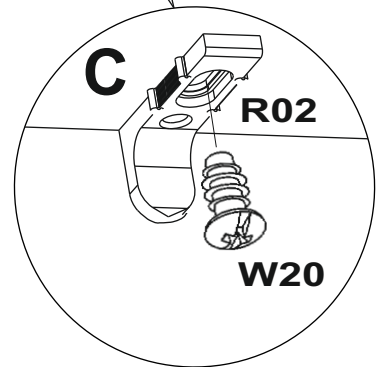
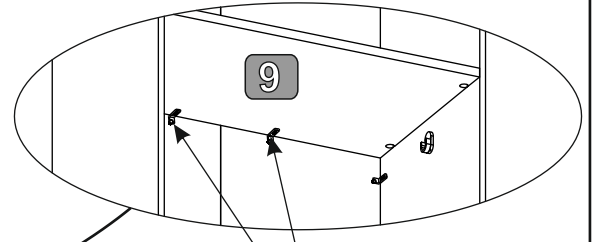
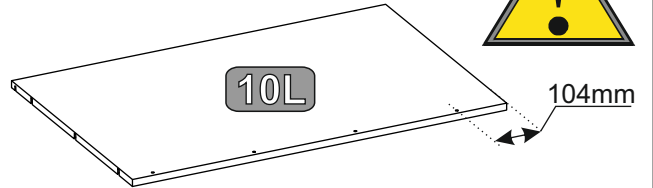
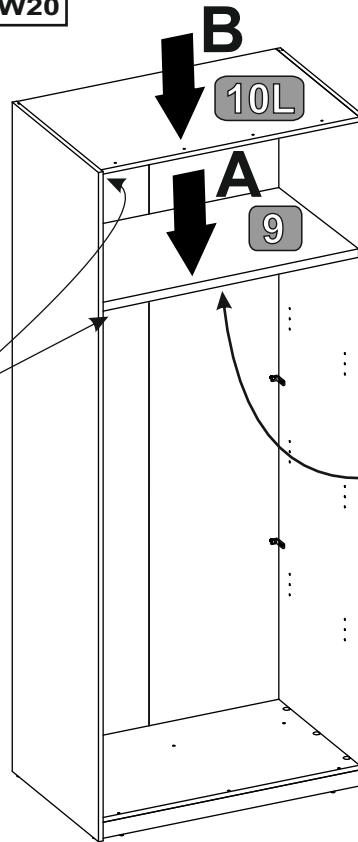
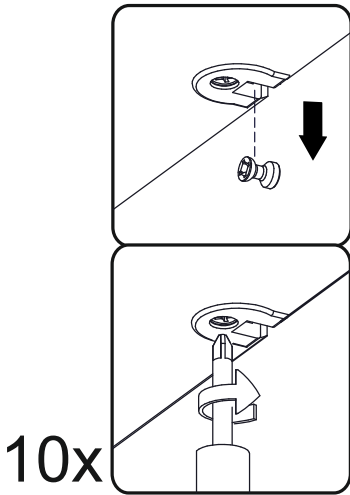
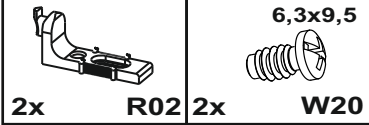


[2x]

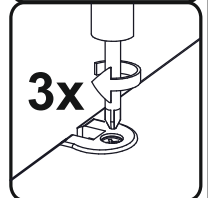
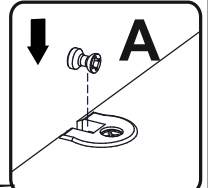
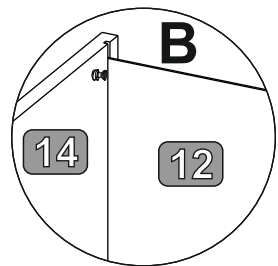
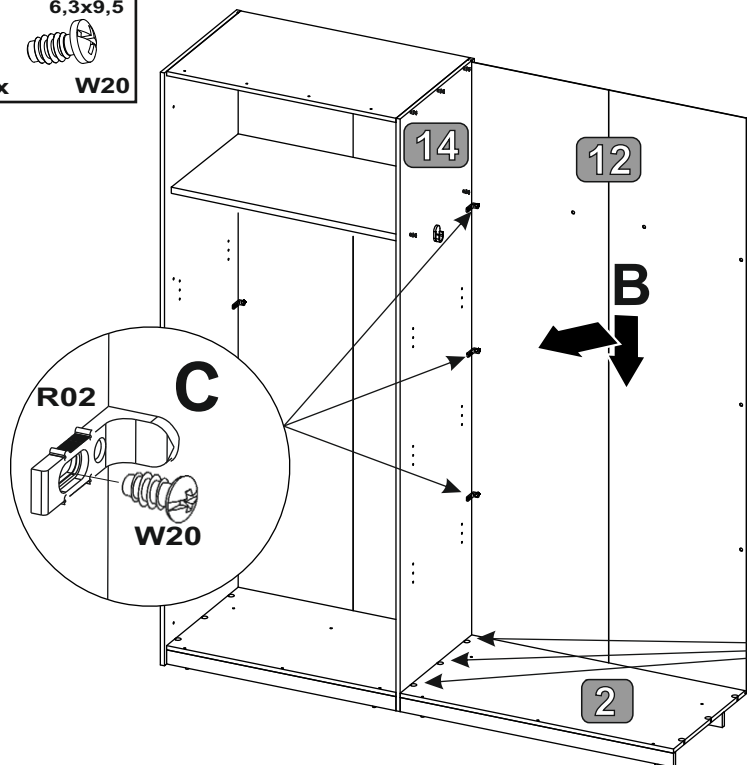
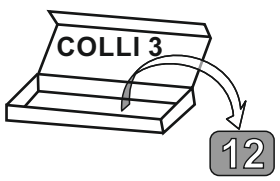
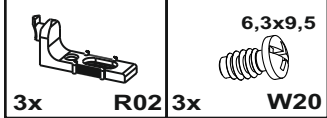




7

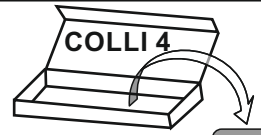
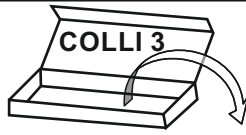


8



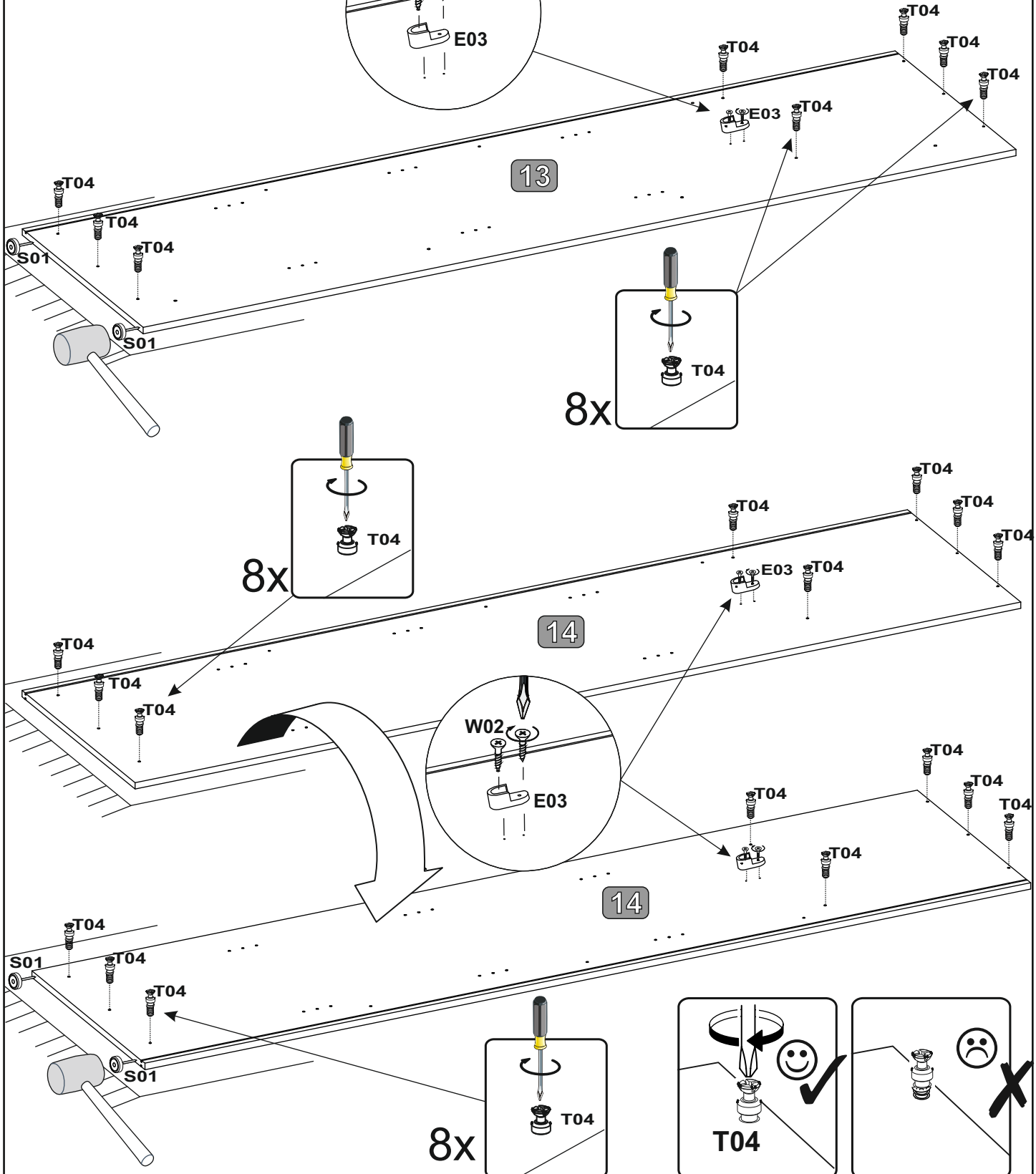
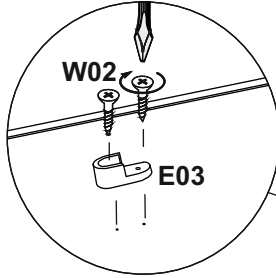
9

- 4x S01
- 24x T04
- 3x E03
- 6x W02



13

14



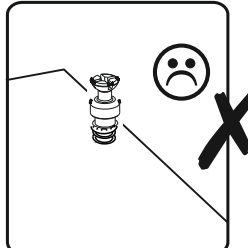
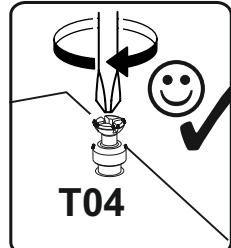
8x

8x

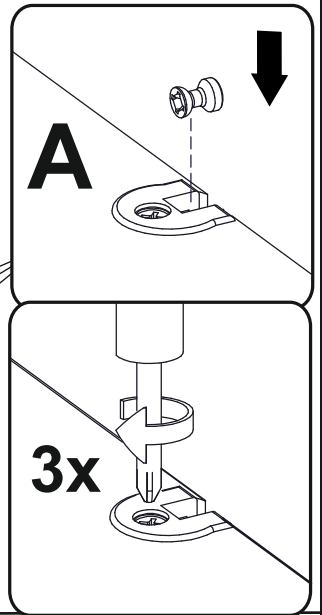
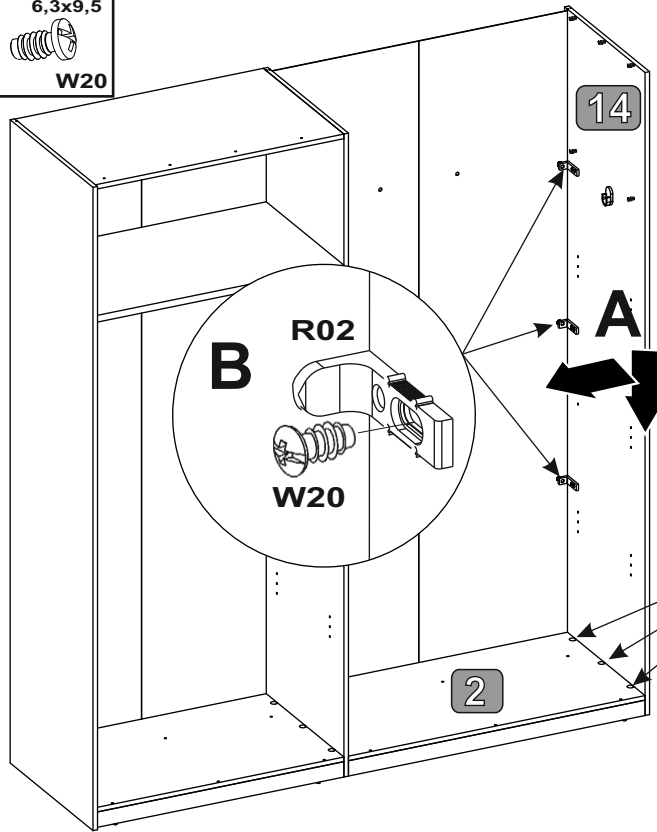
14

14

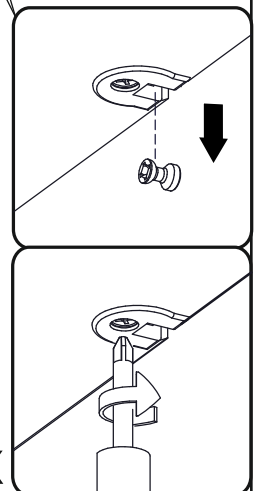
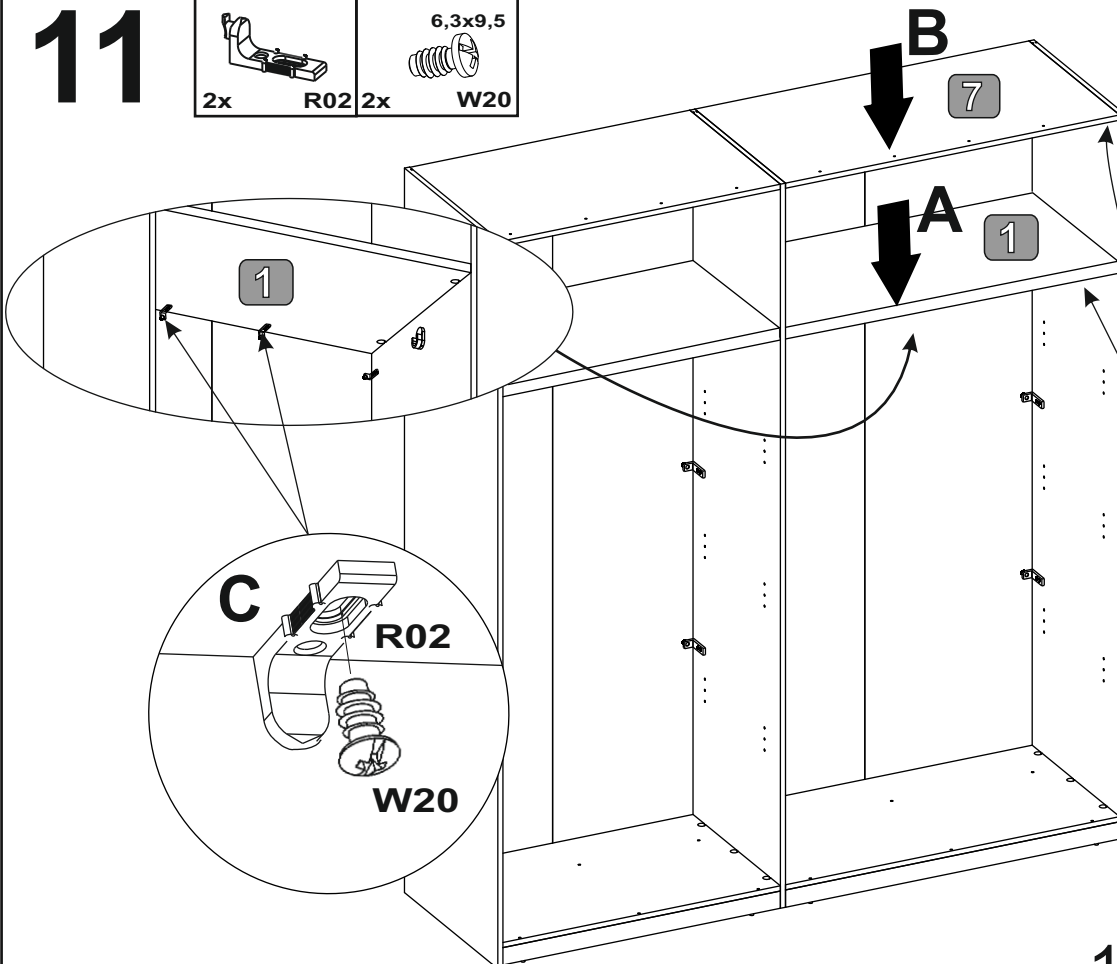
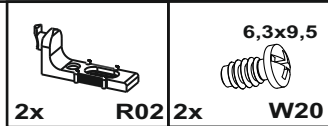
8x



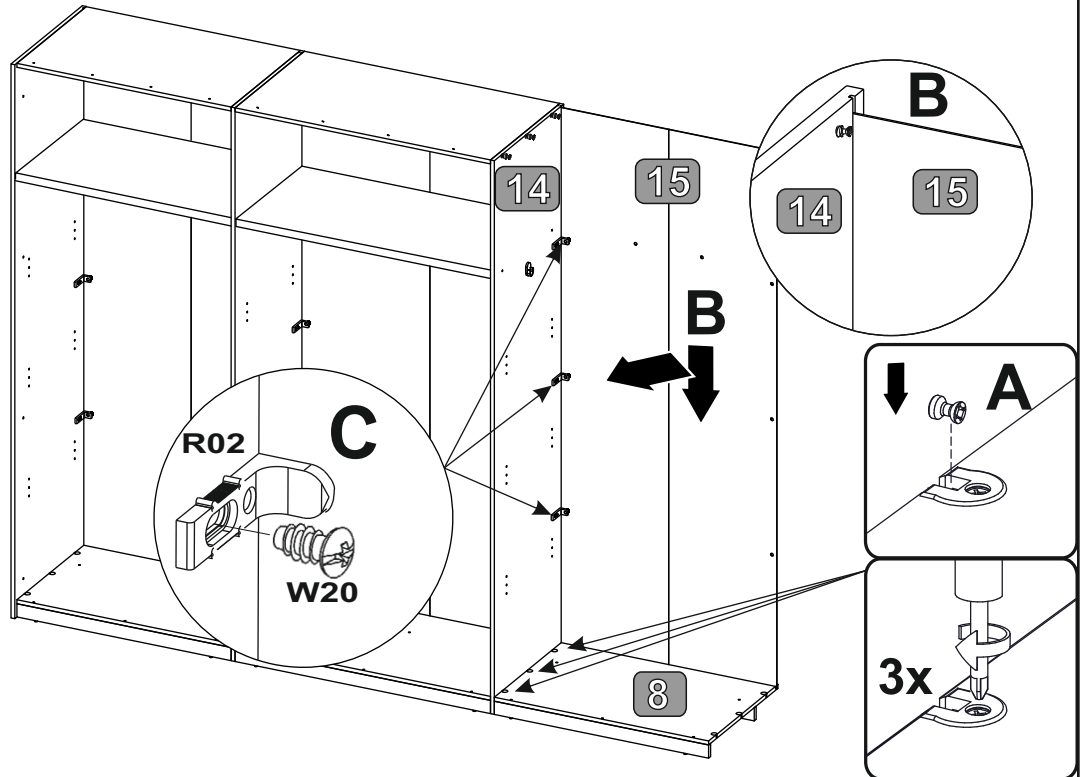
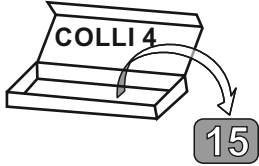
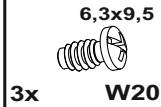
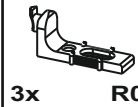
10



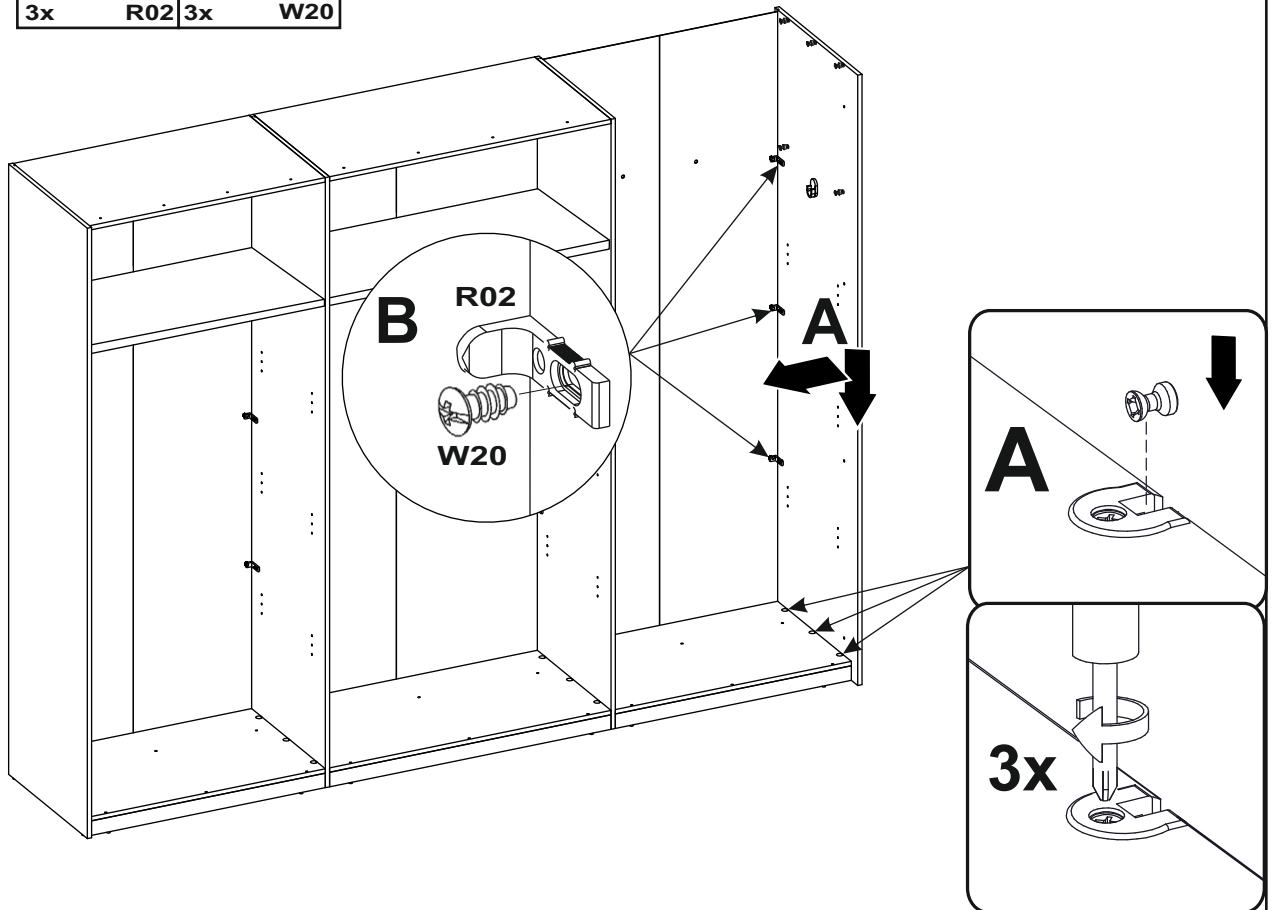
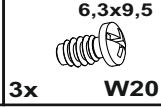
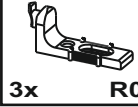
11



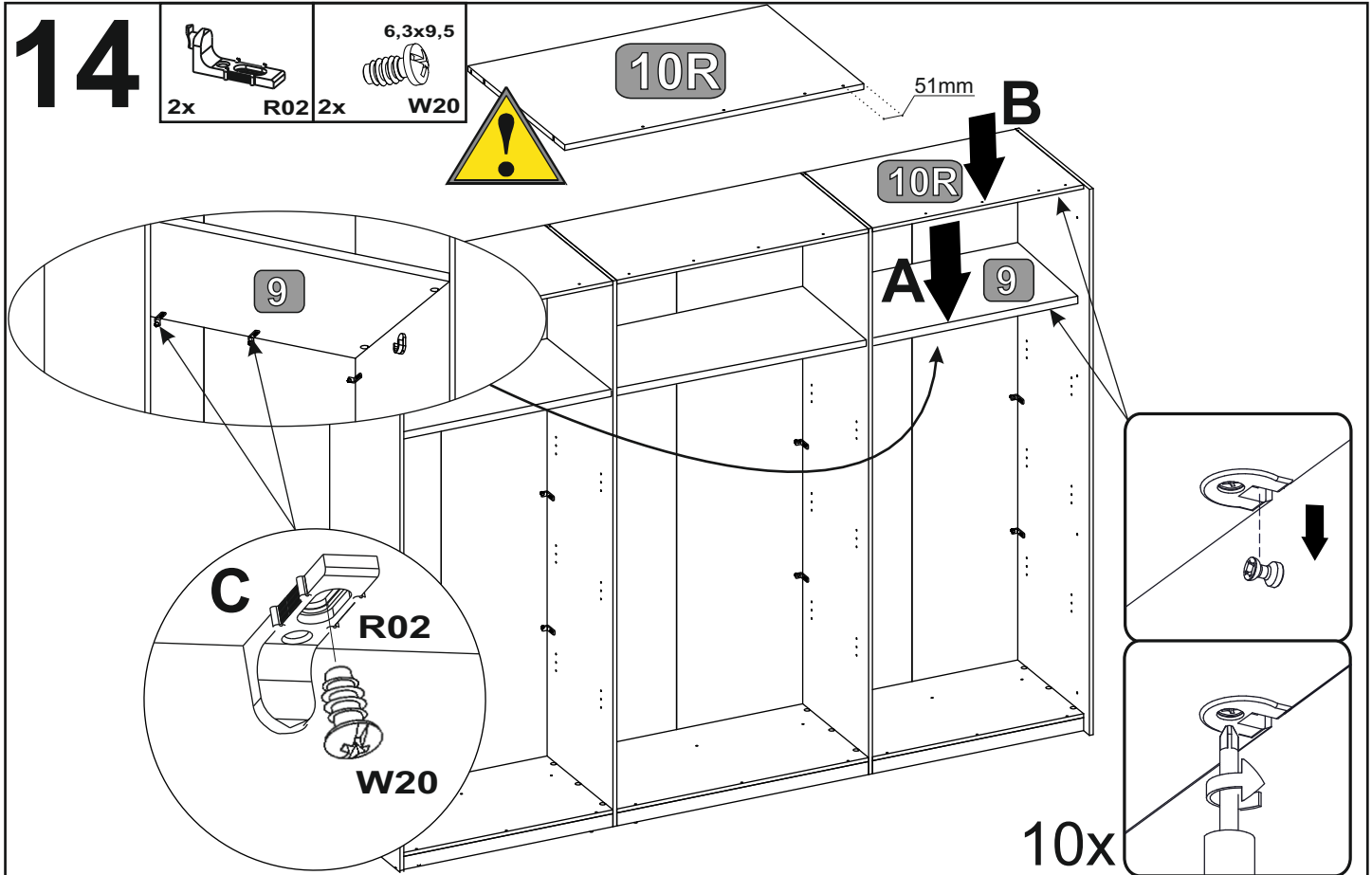
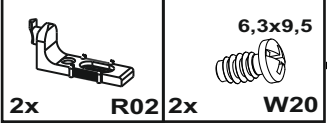
12



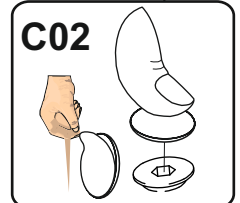
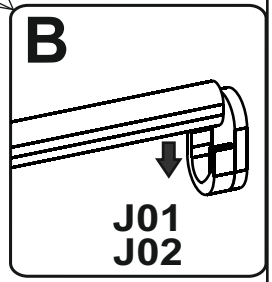
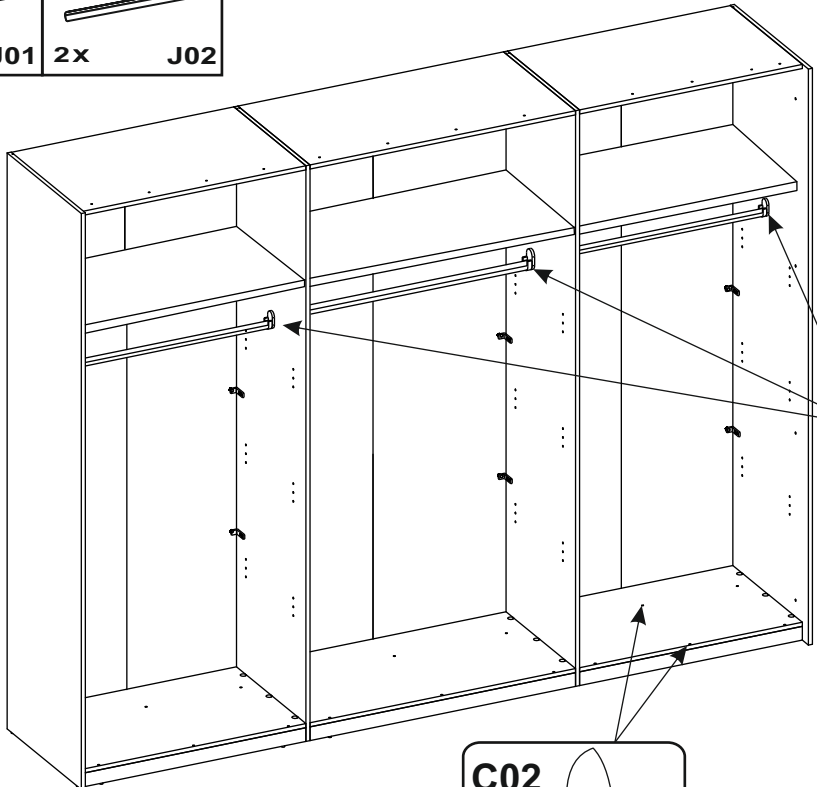
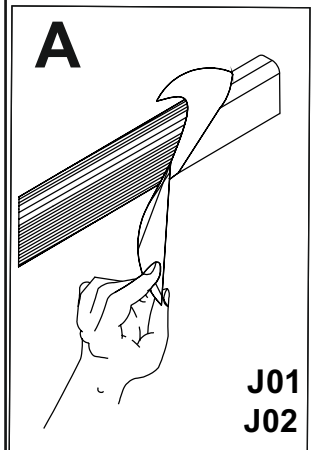
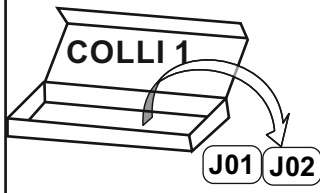
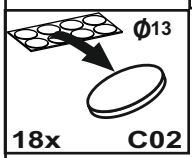
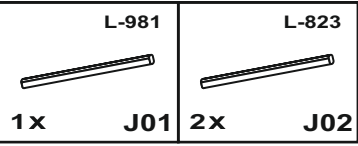
13



14



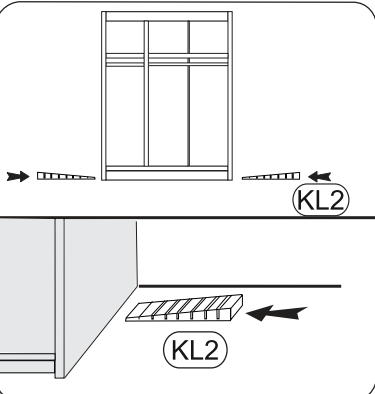
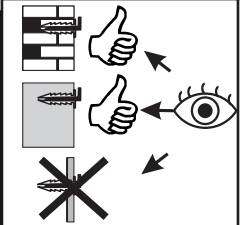
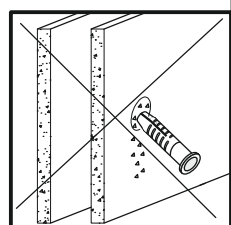
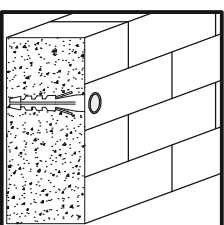
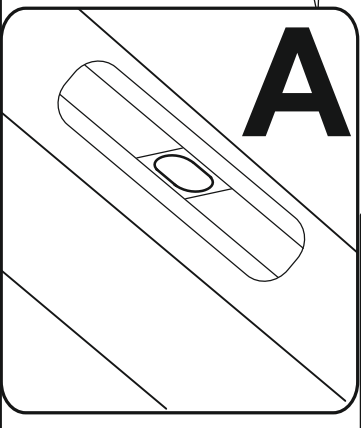
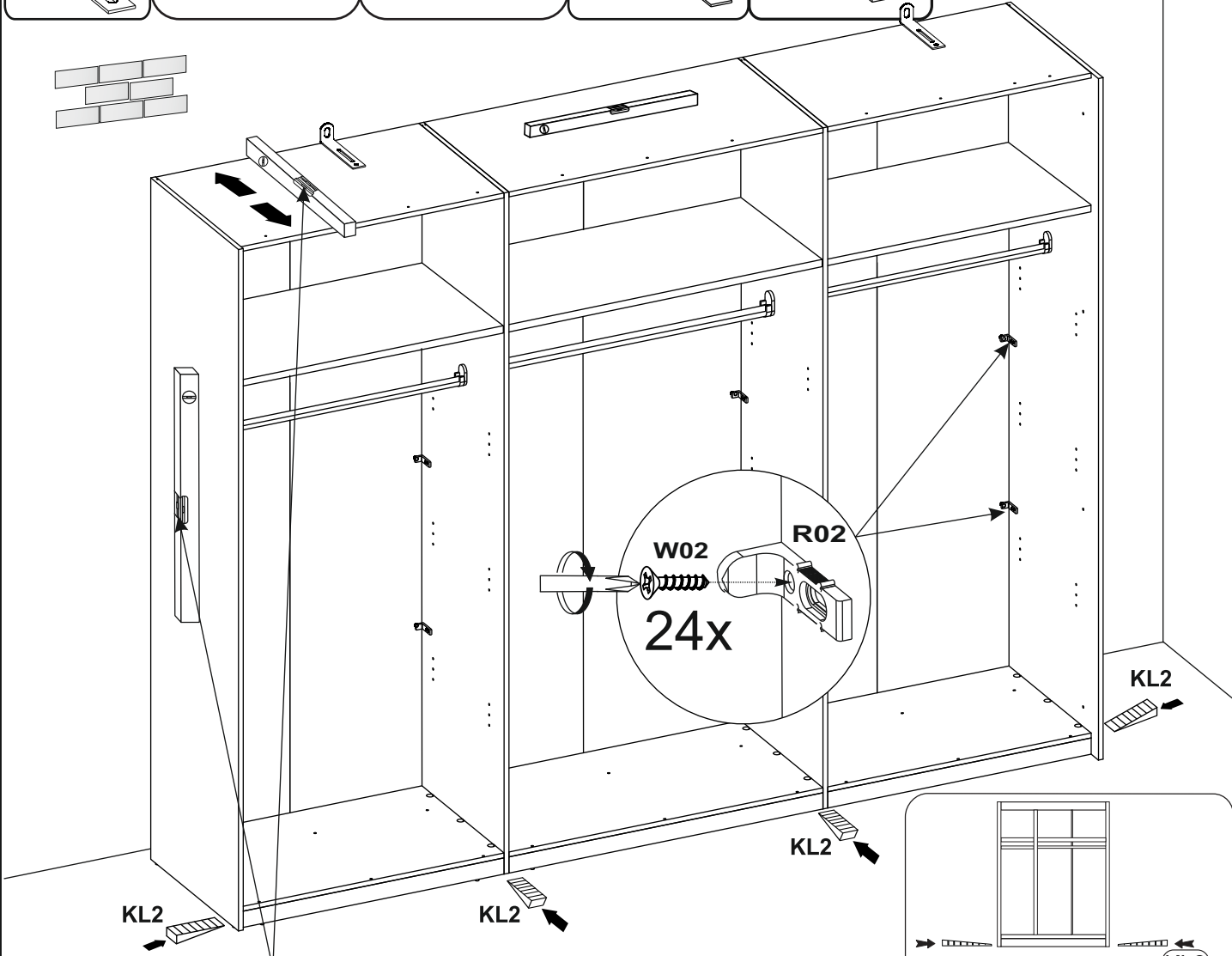
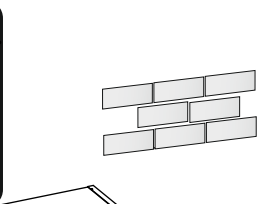
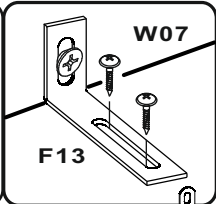
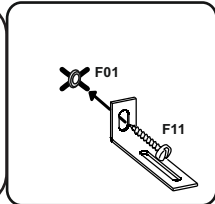
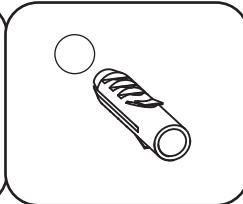
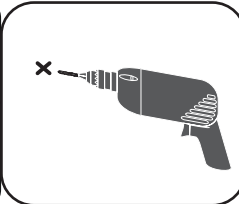
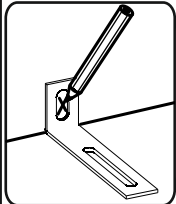
15



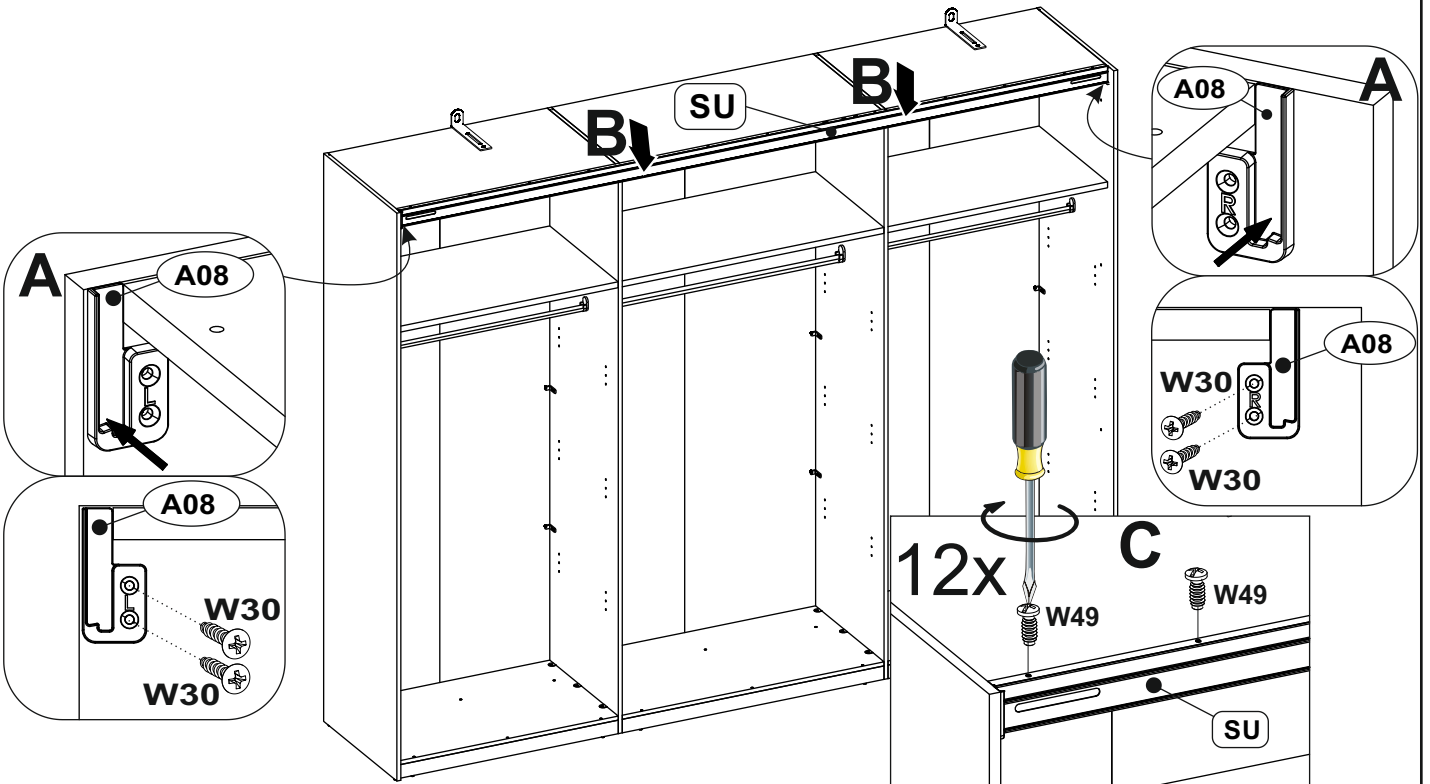
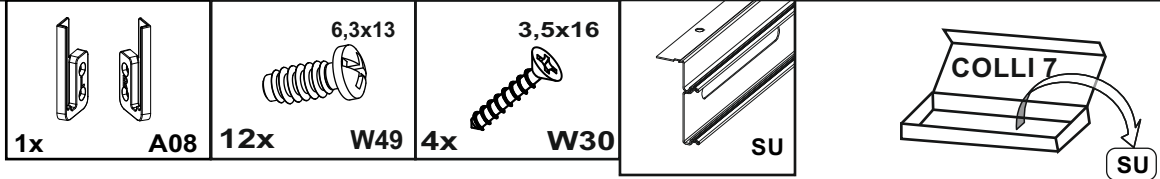
18x

16

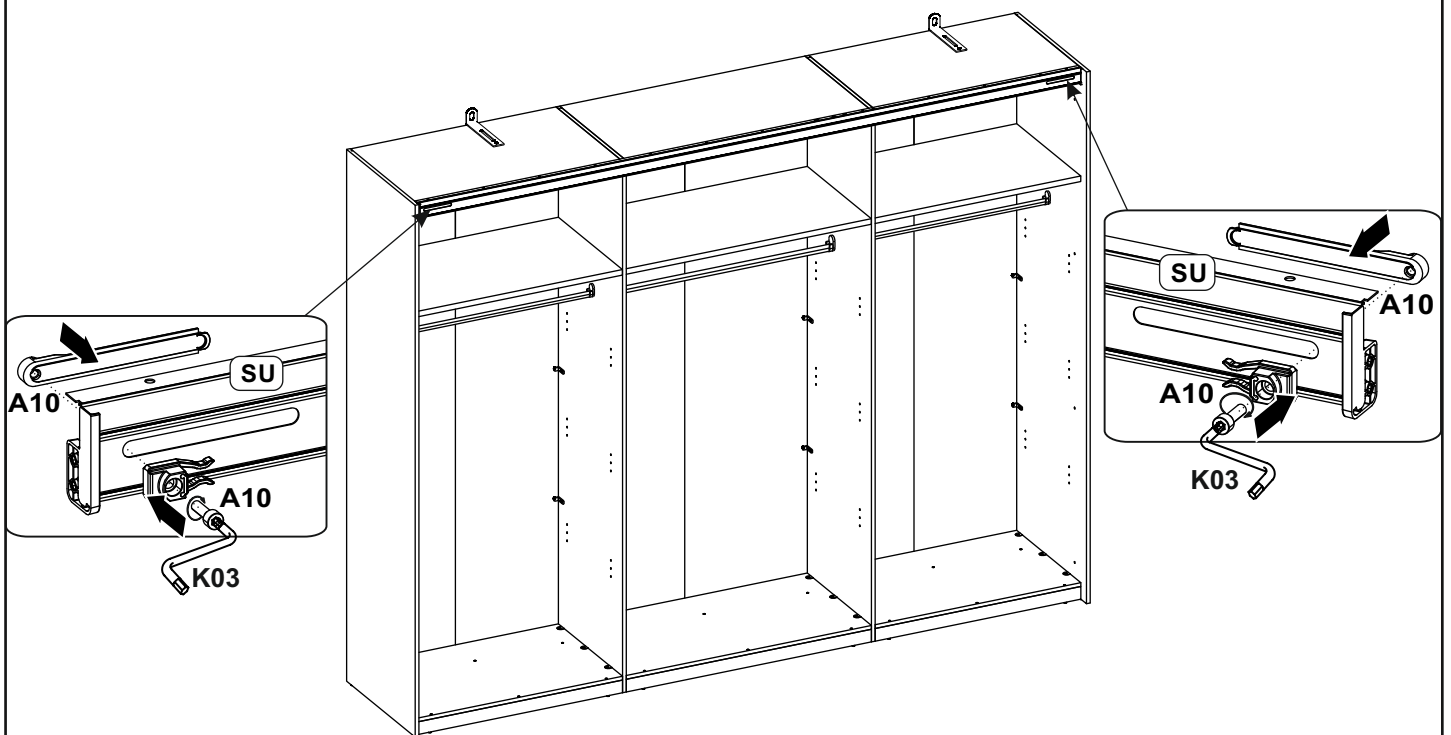
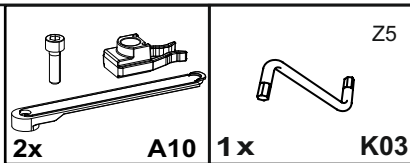
4x	KL2	2x	F01	2x	F11	2x	F13	4x	4x13	W07	24x	3,5x13	W02
----	-----	----	-----	----	-----	----	-----	----	------	-----	-----	--------	-----



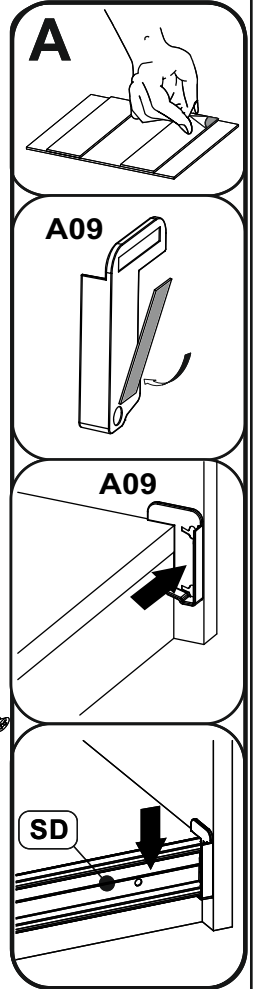
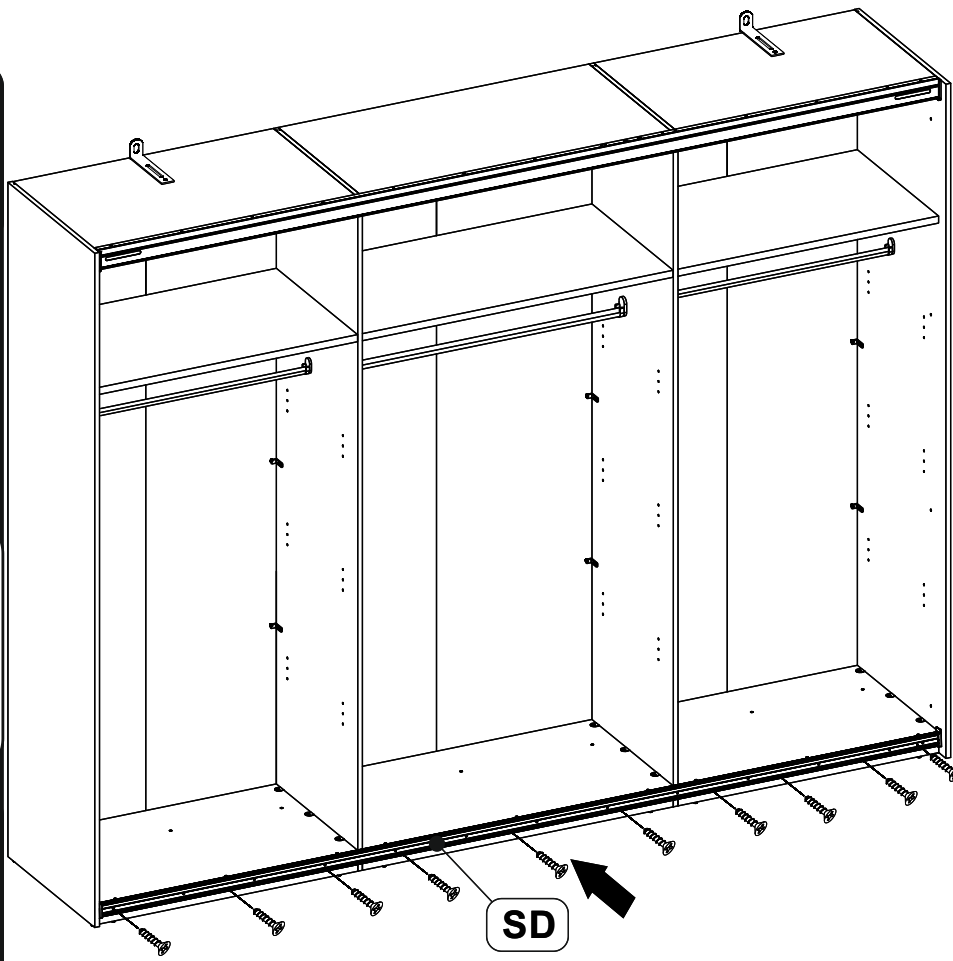
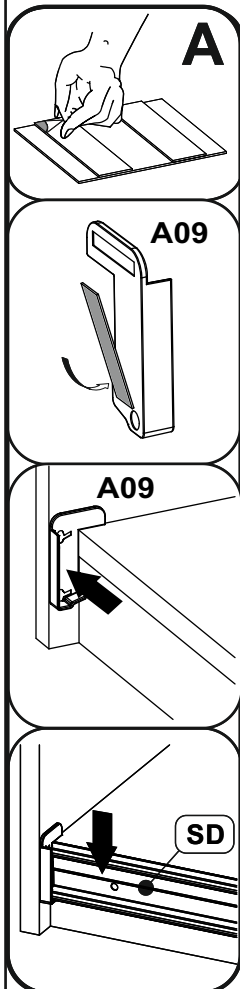
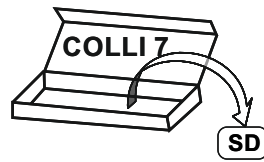
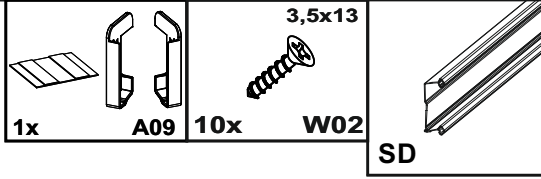
17



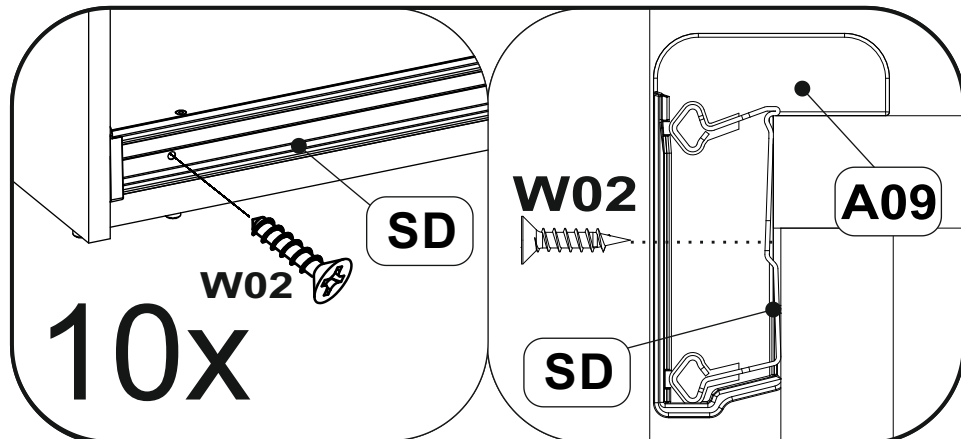
18



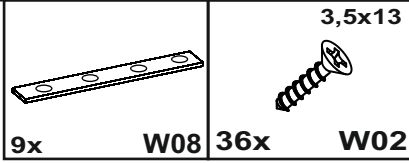
19



B

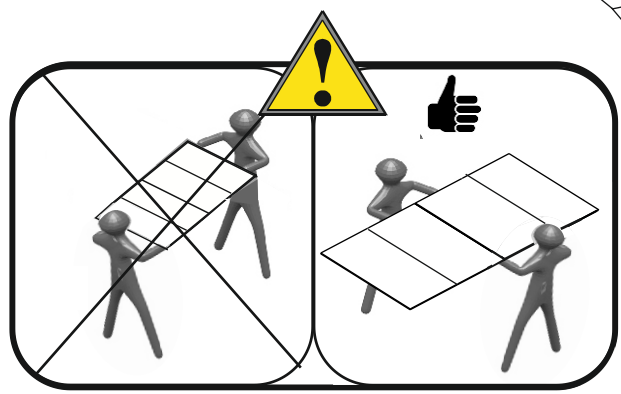
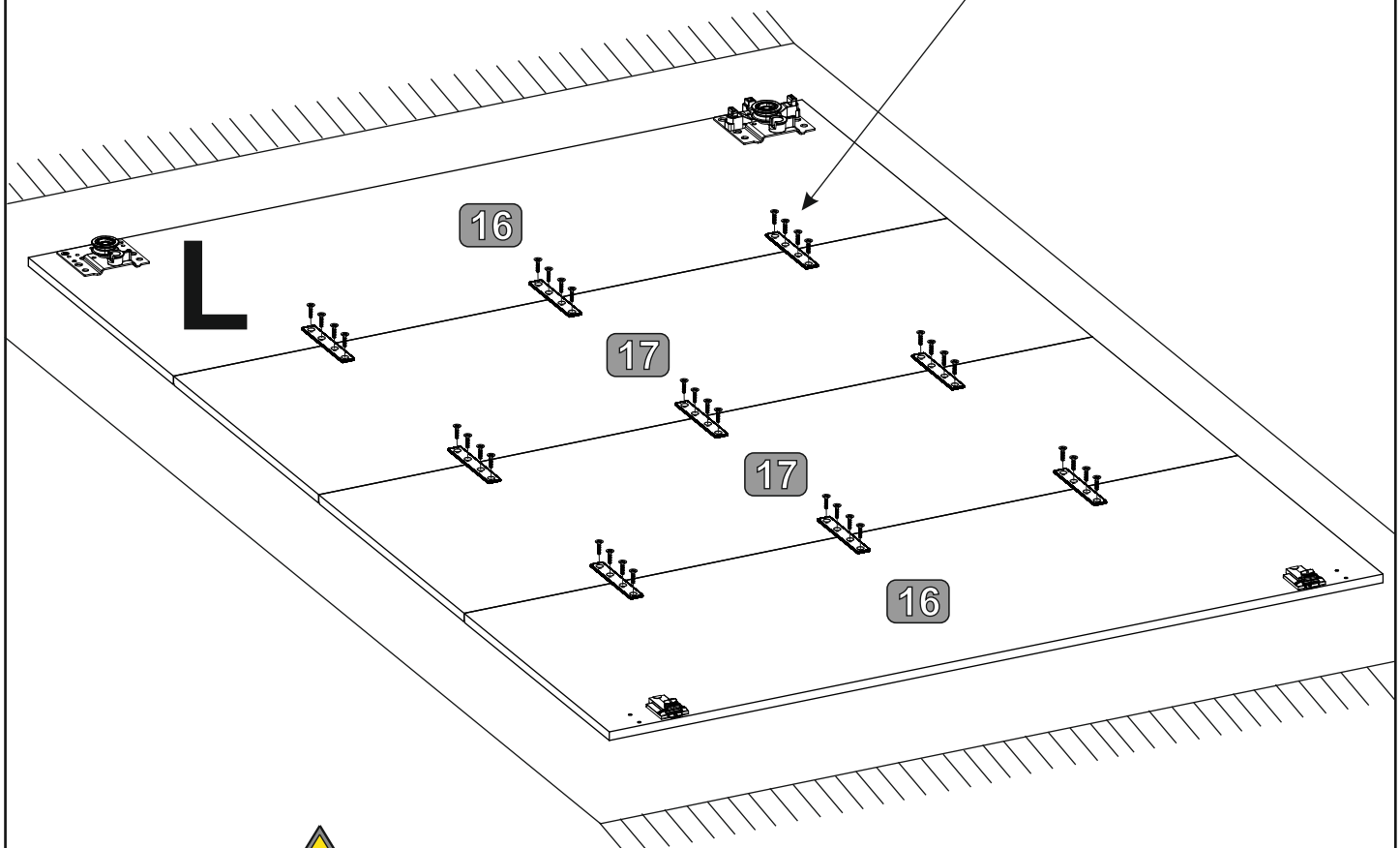
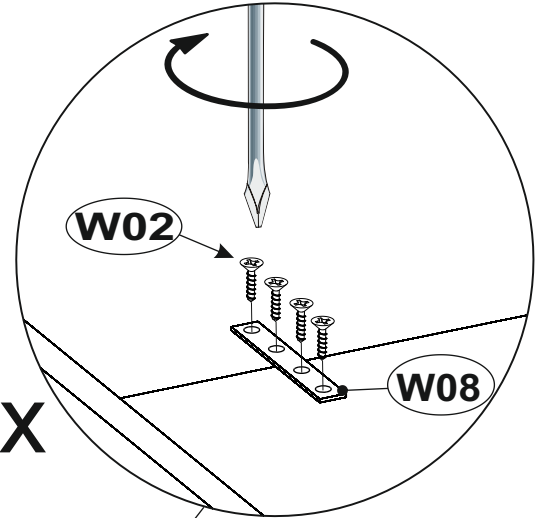


21

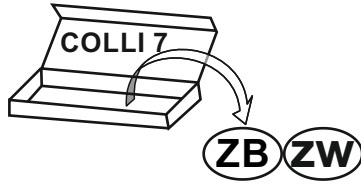
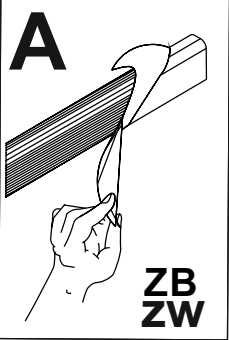
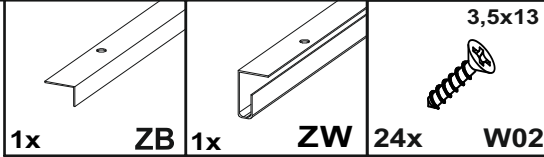


58-705-L0

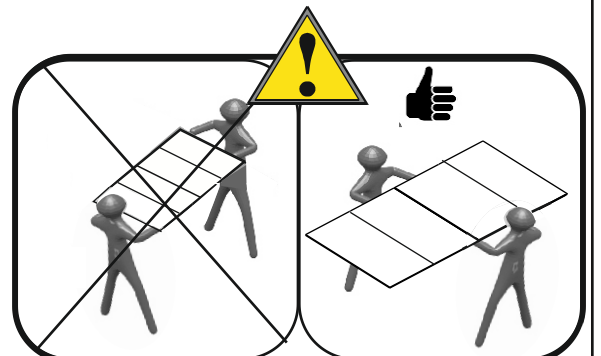
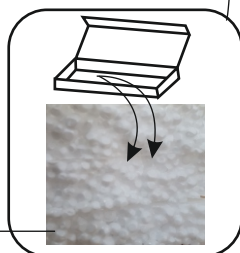
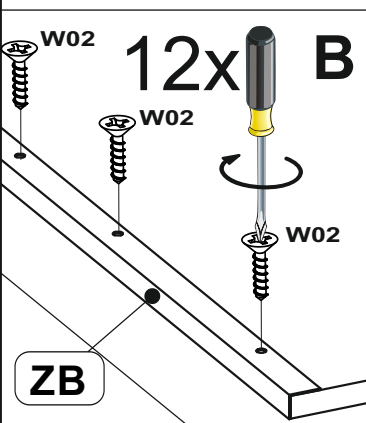
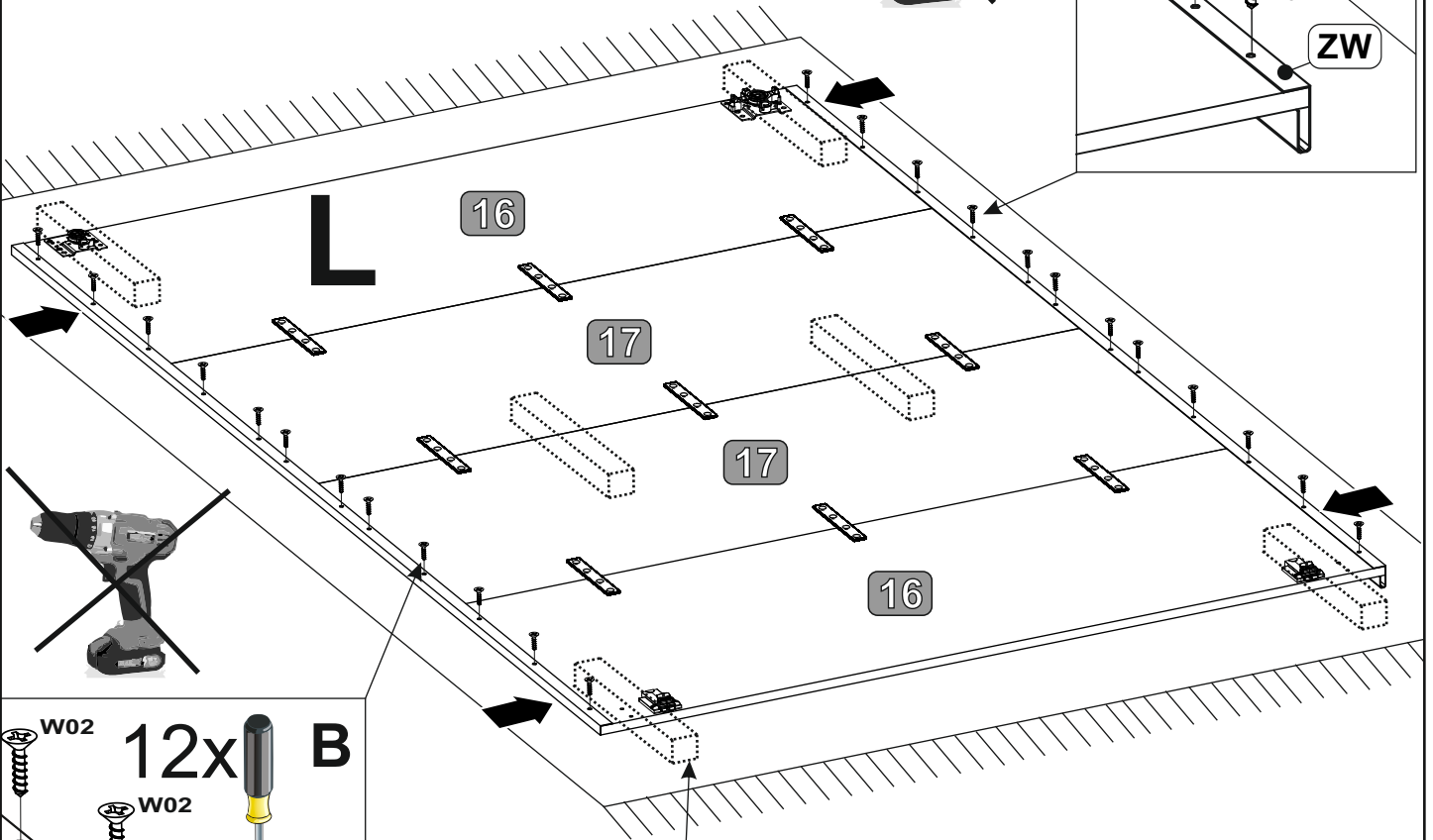
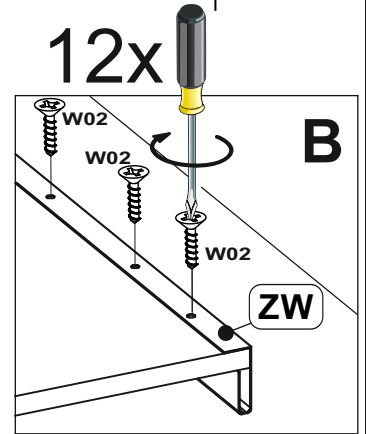
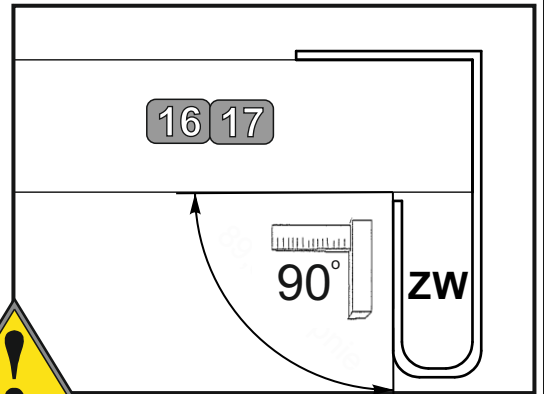
9x



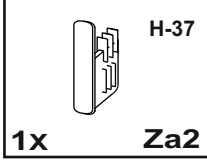
22



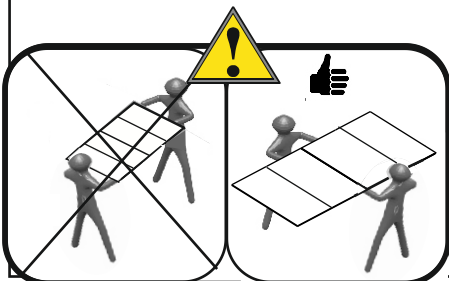
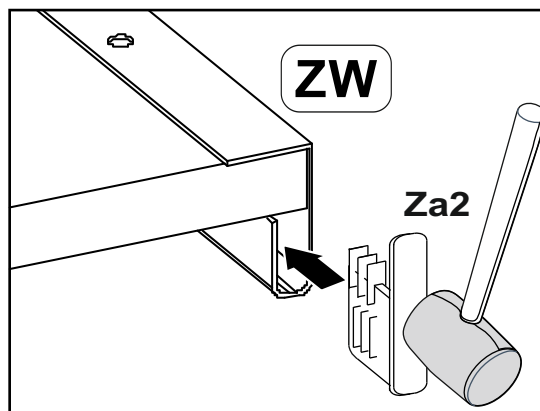
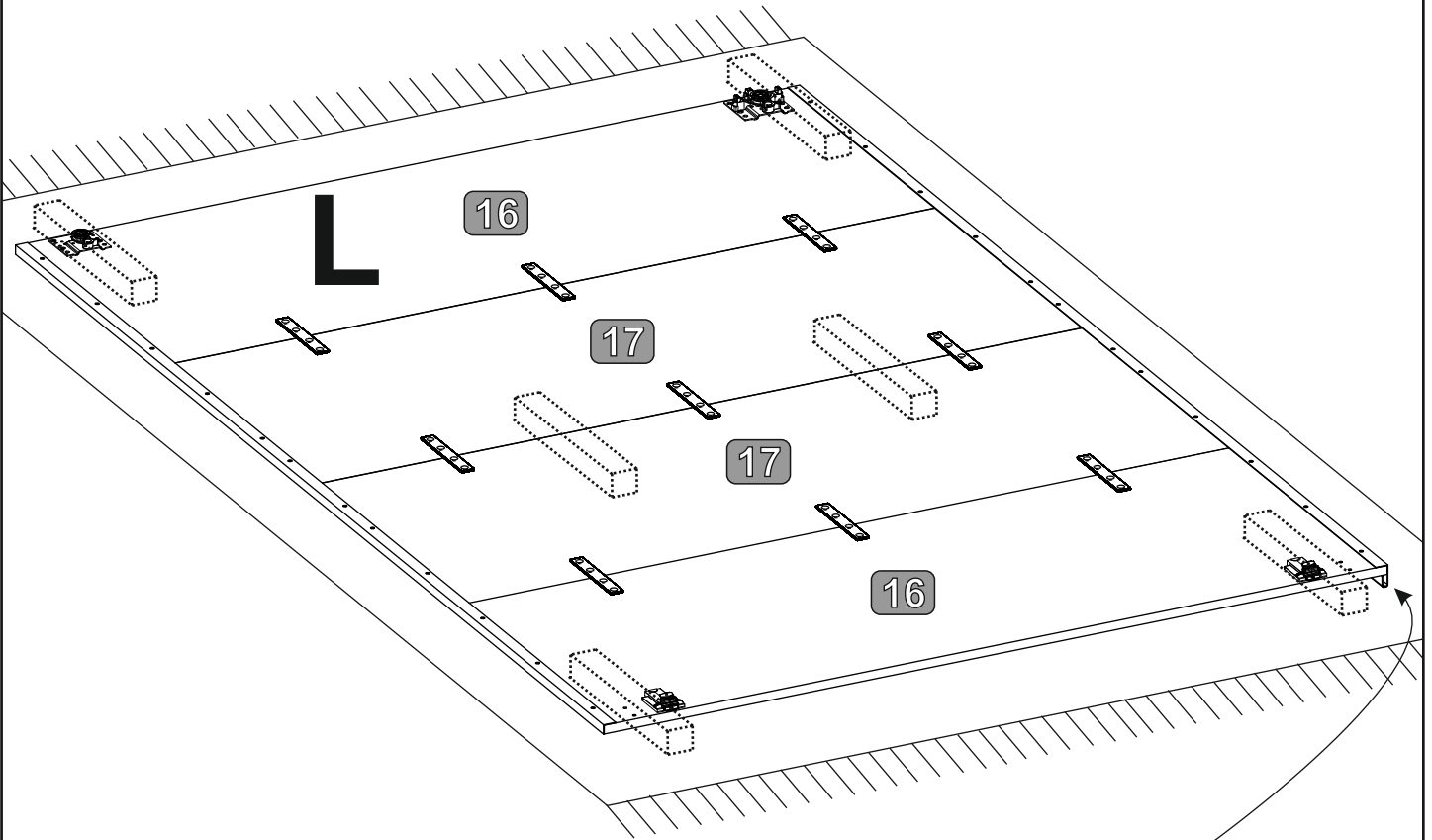
58-705-L0



23



58-705-L0



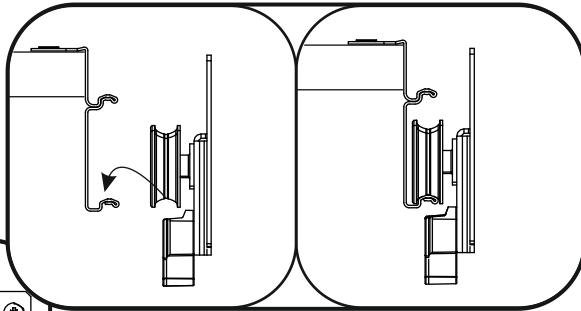
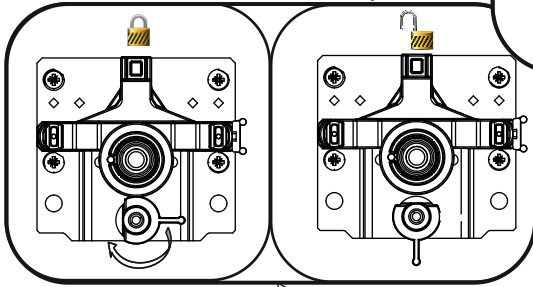
24



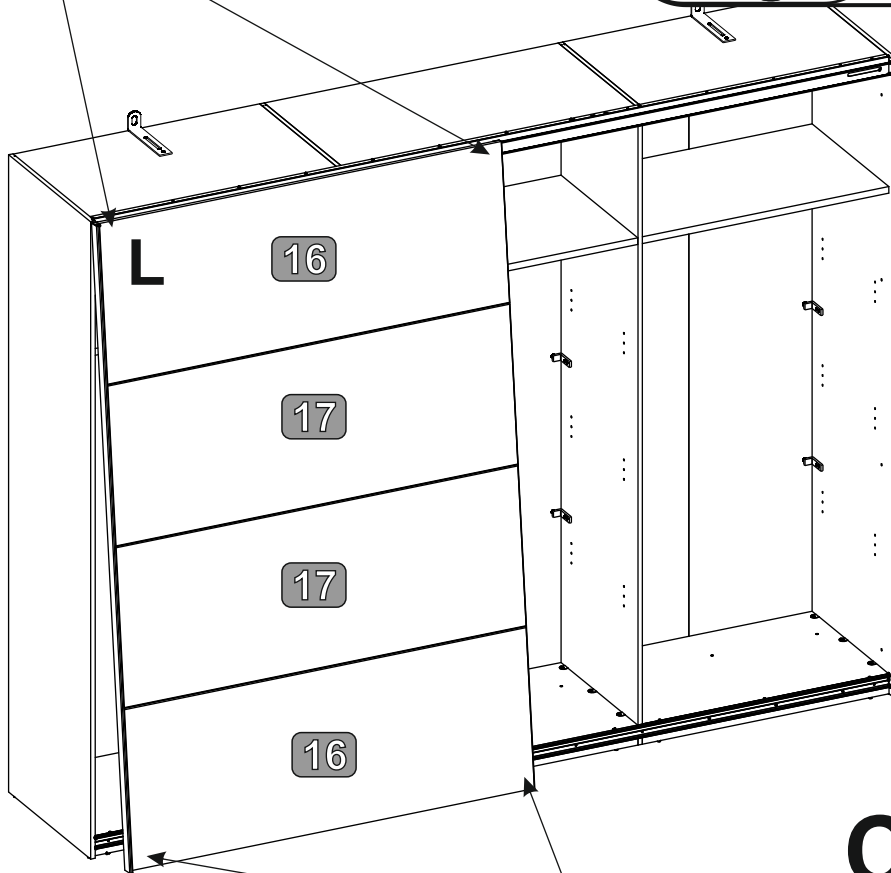
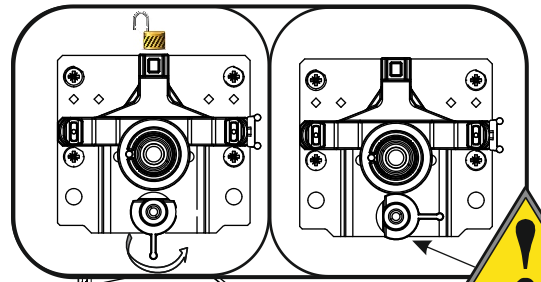
58-705-L0

B

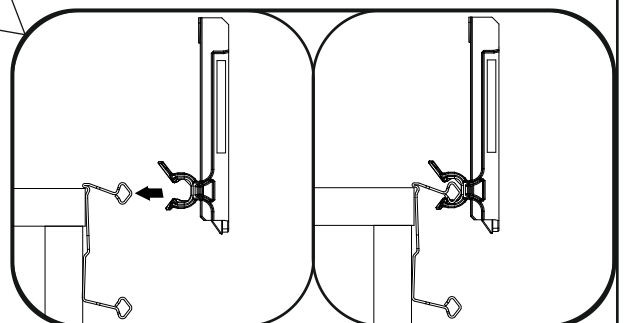
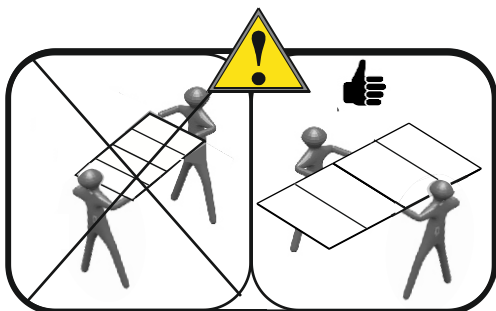
A



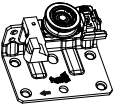
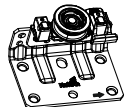
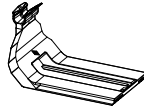
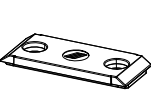

D



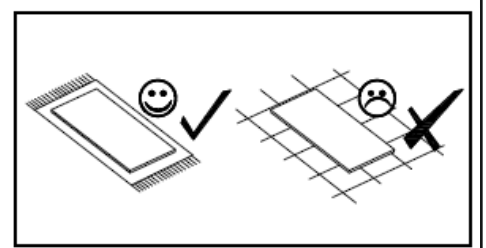
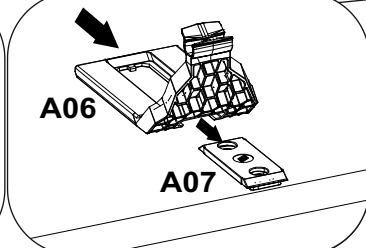
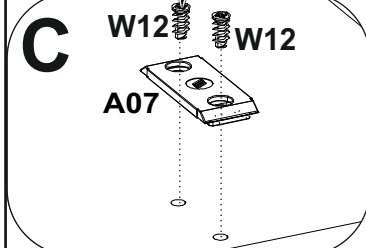
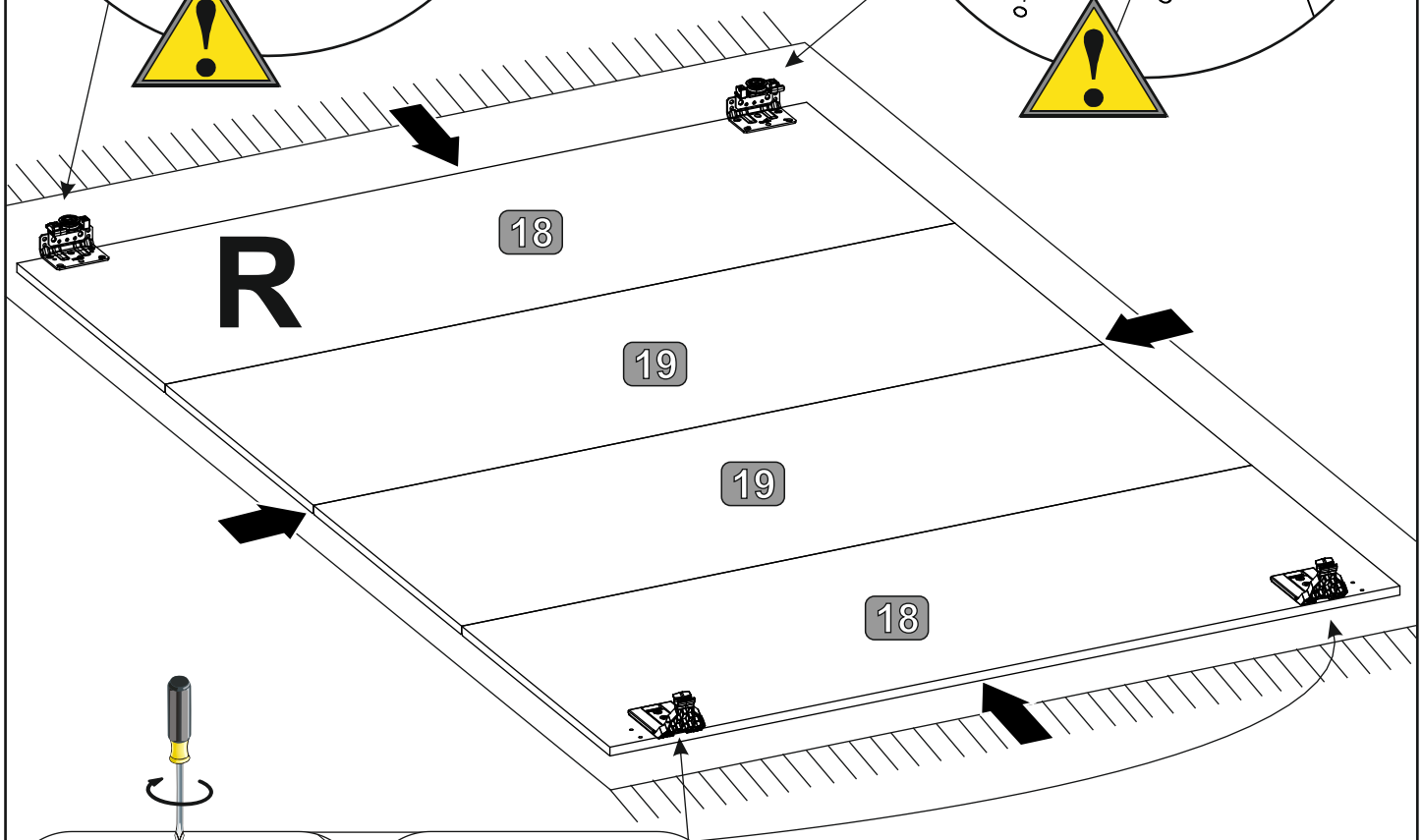
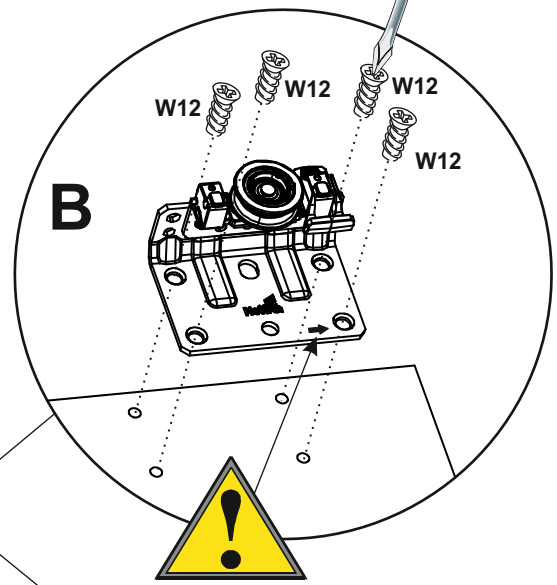
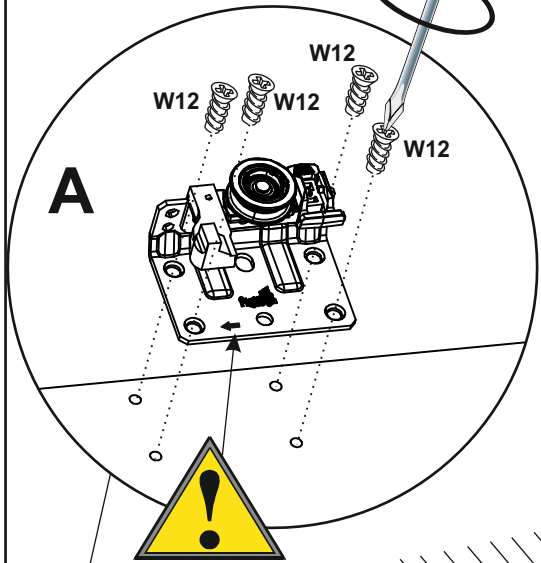
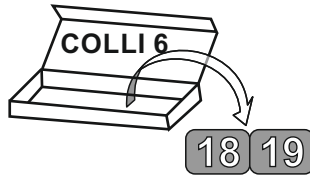
C



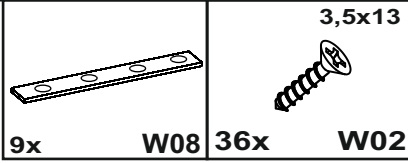
25

 1x A04	 1x A03	 2x A06	 2x A07	 6x11 12x W12
---	---	---	---	---


58-705-L0

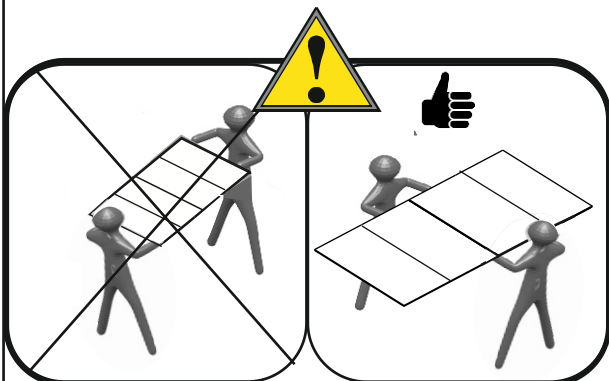
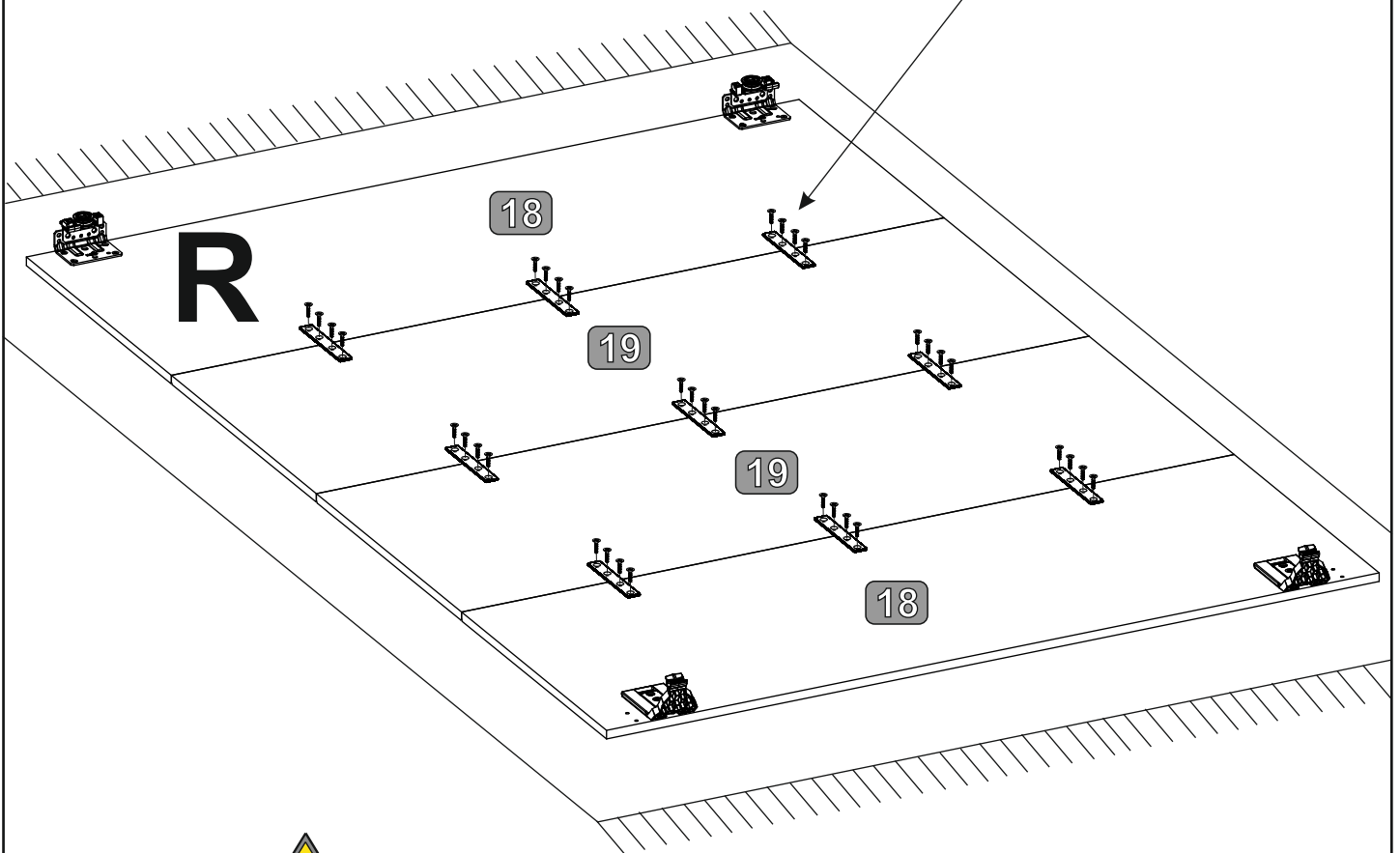
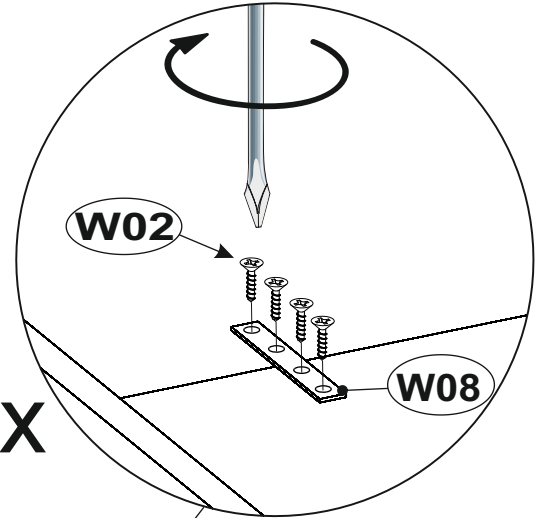


26

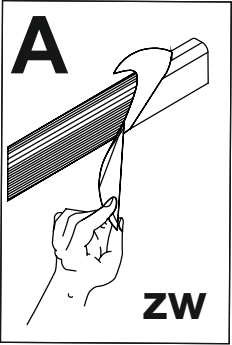
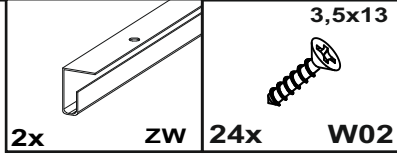


58-705-L0

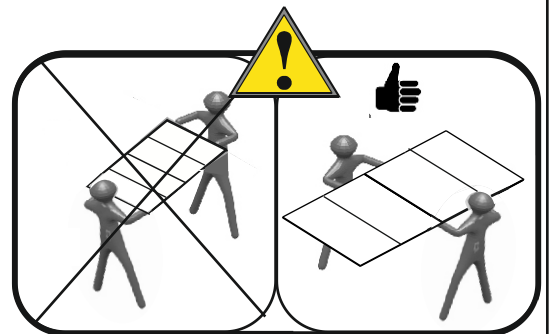
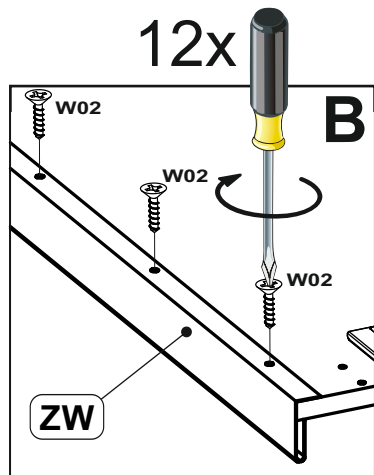
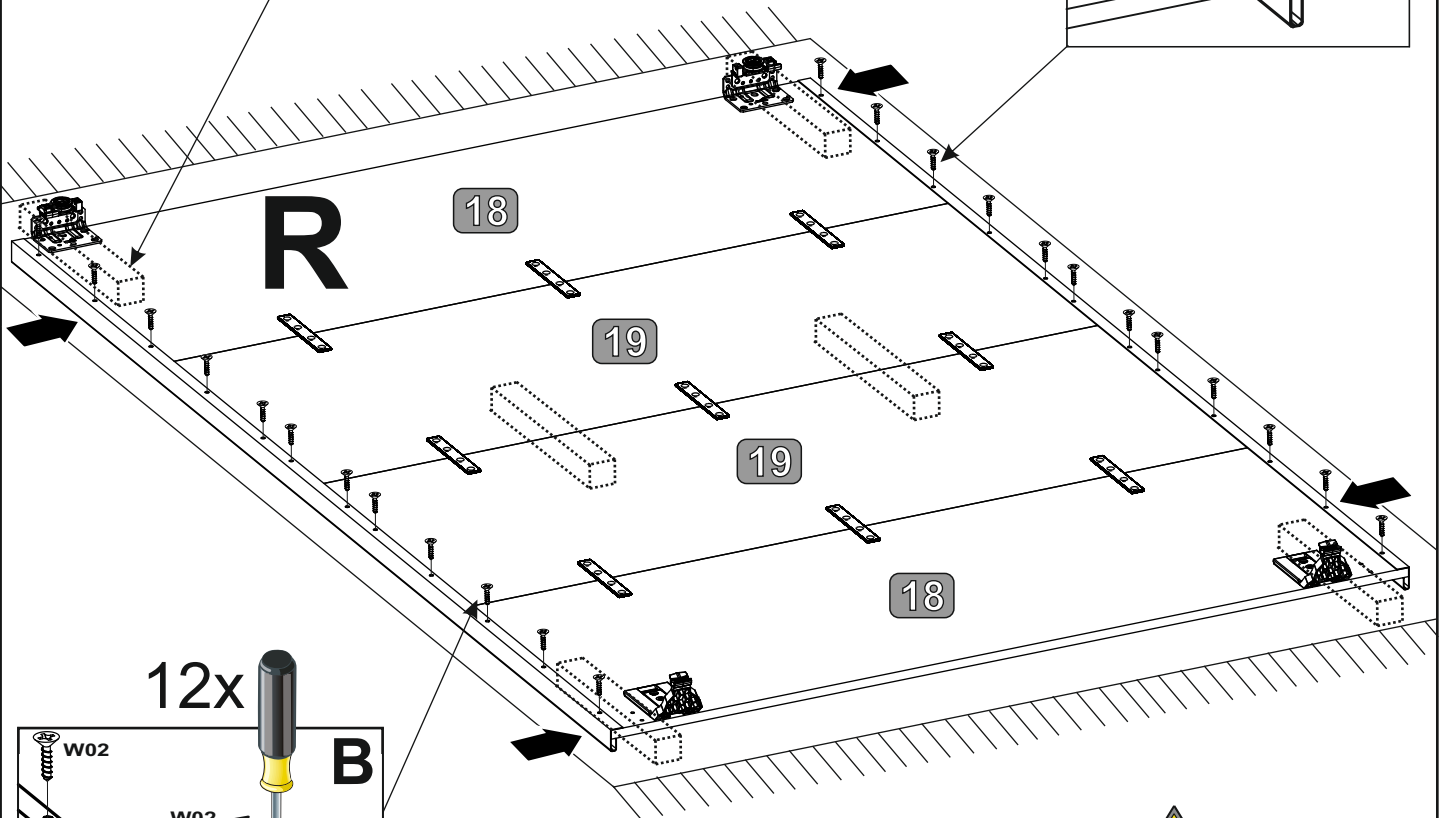
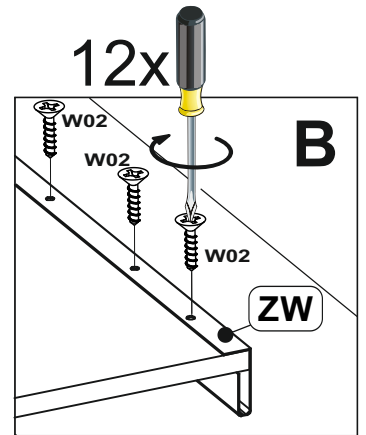
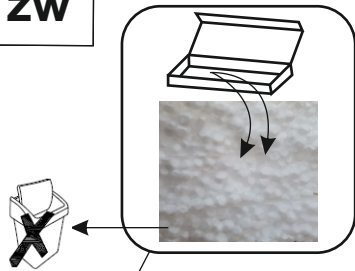
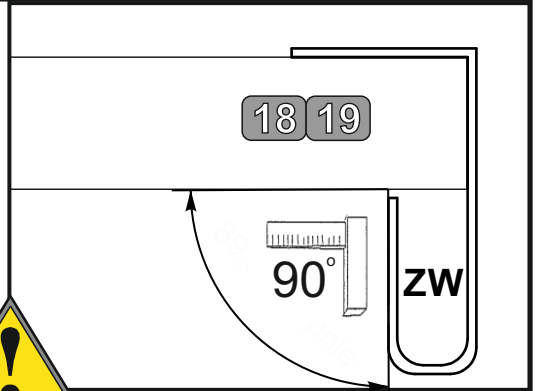
9x



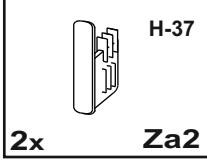
27



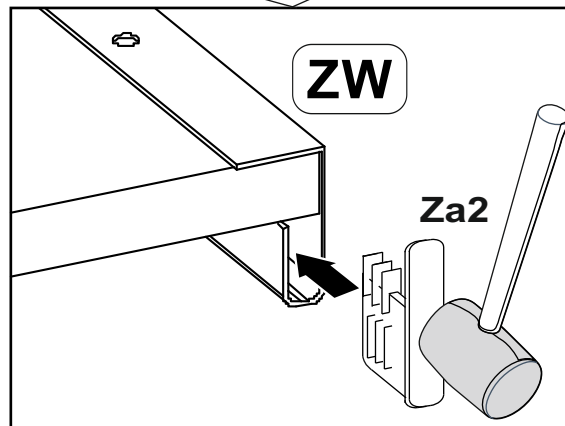
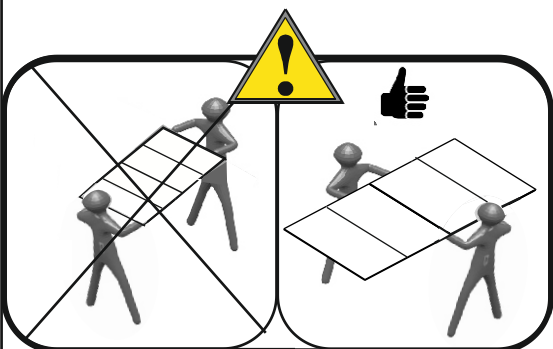
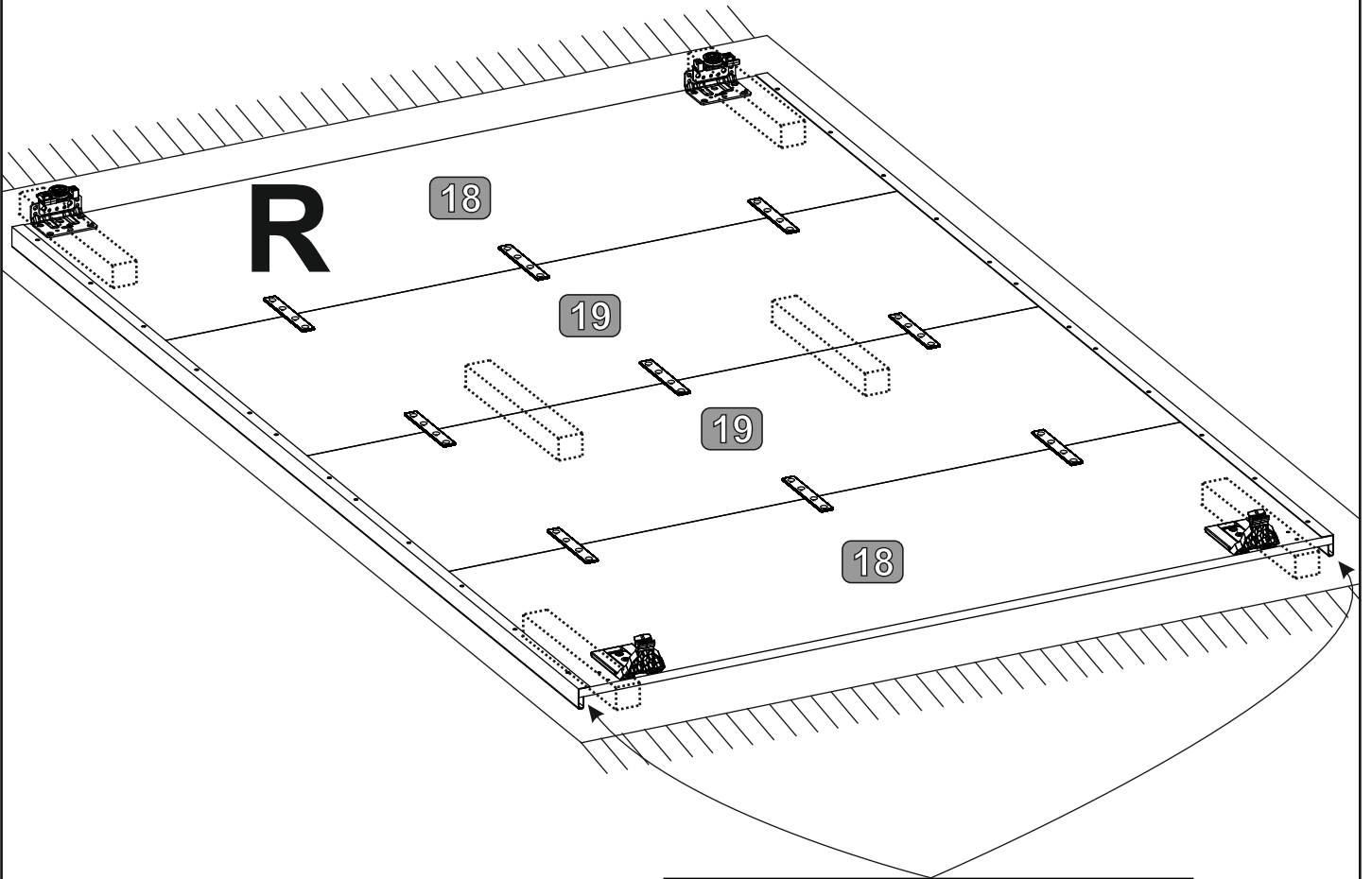

58-705-L0



28

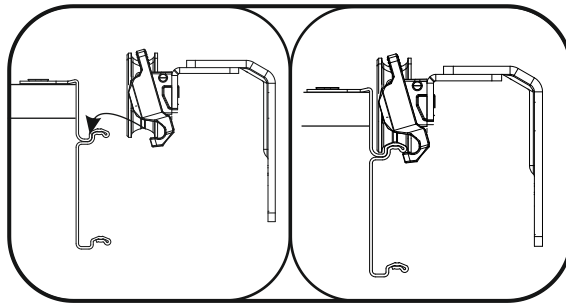


58-705-L0

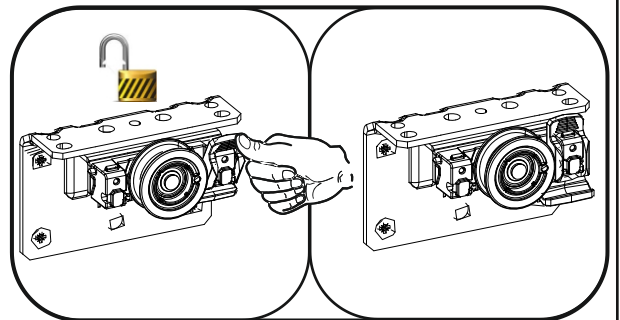


29

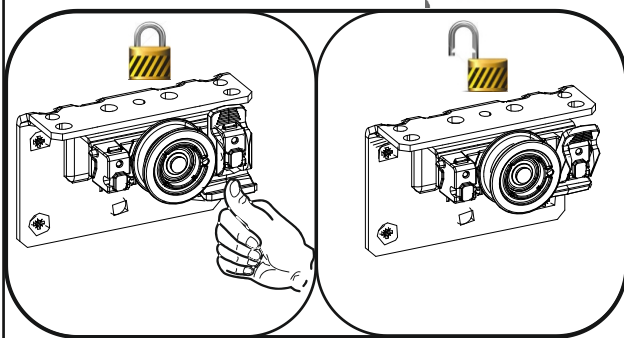
B



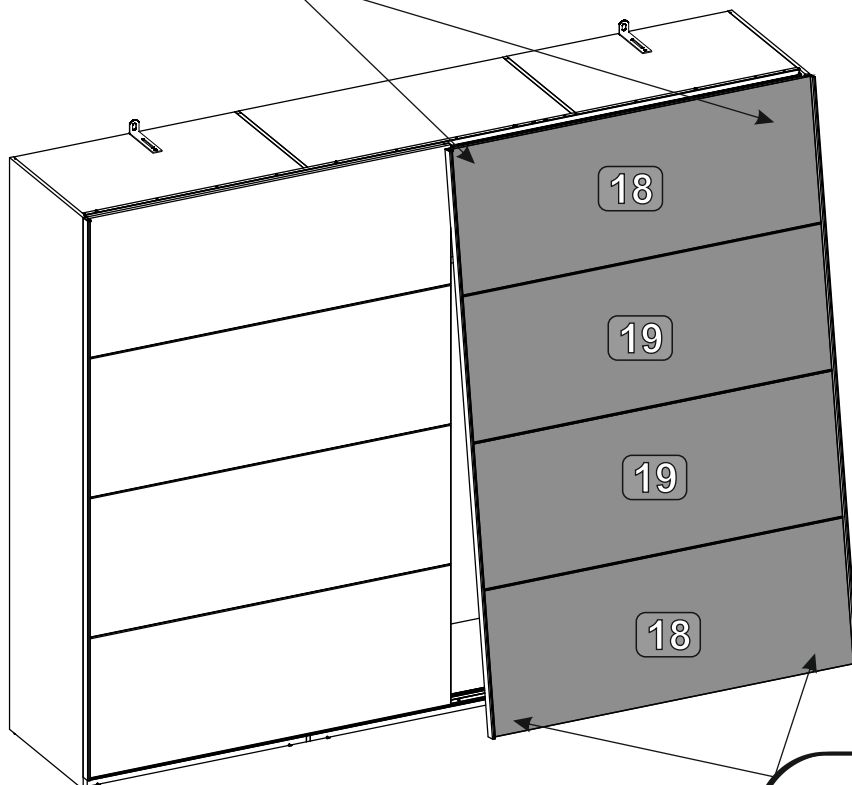
D



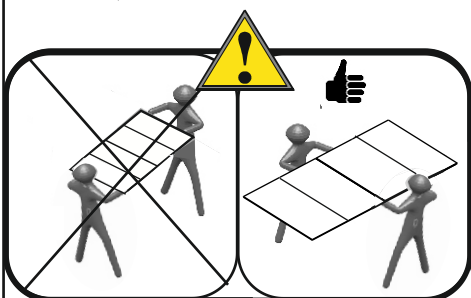
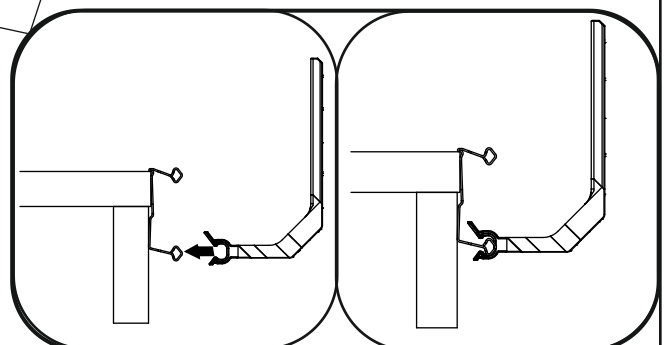
A



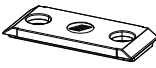
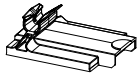

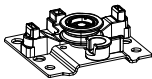

58-705-L0

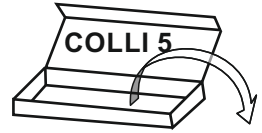


C



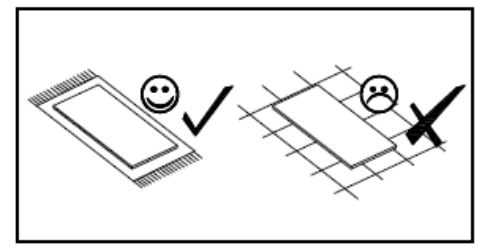
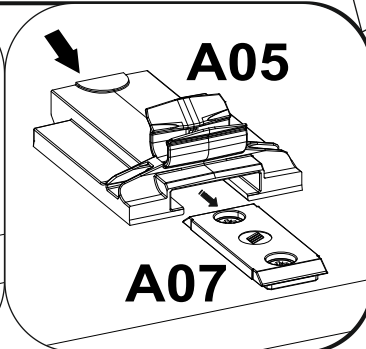
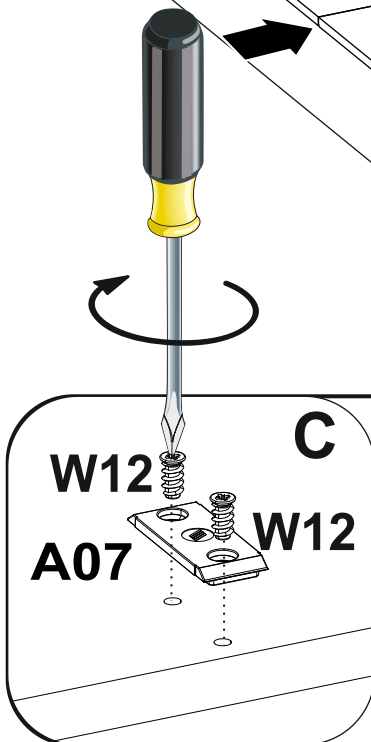
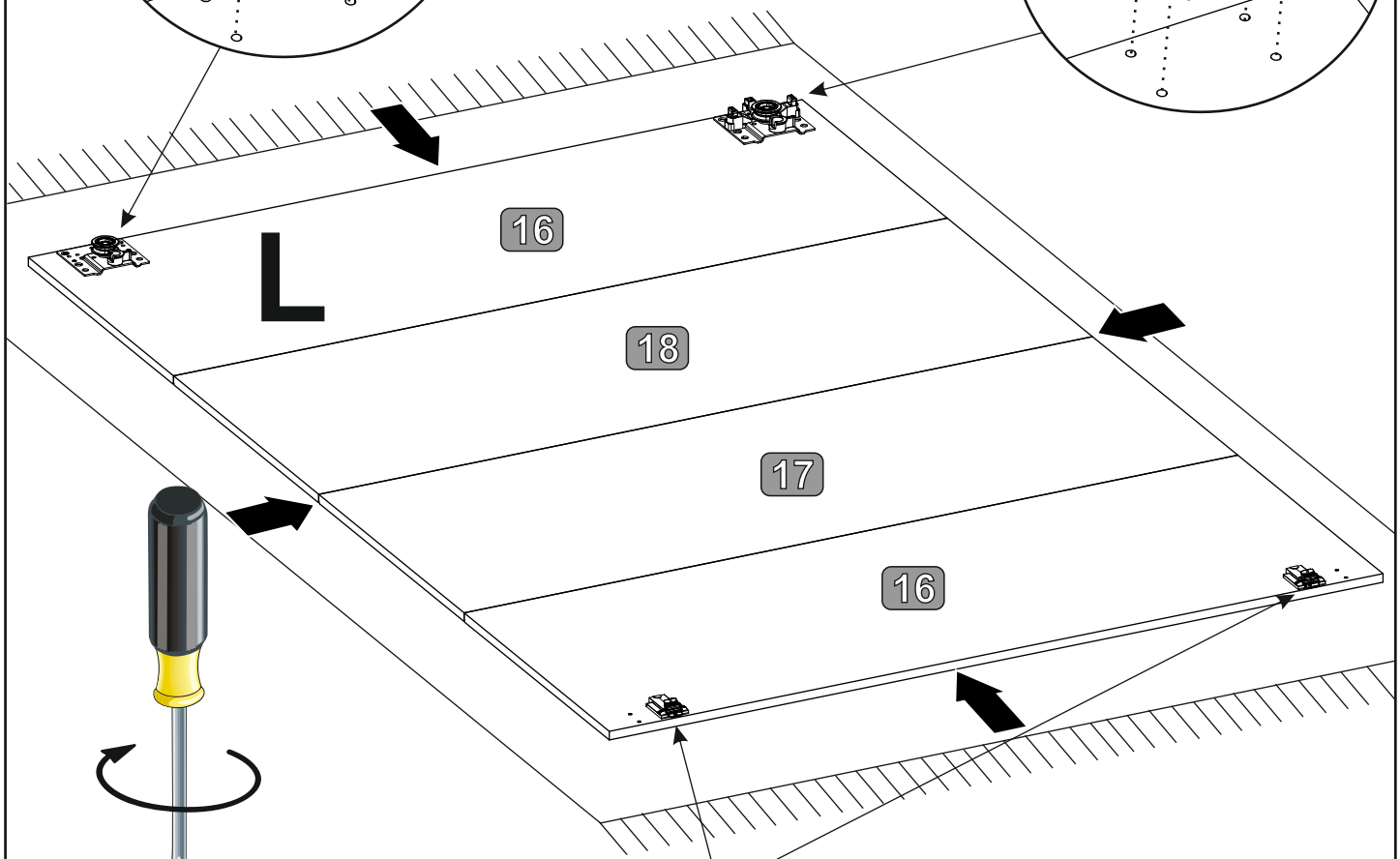
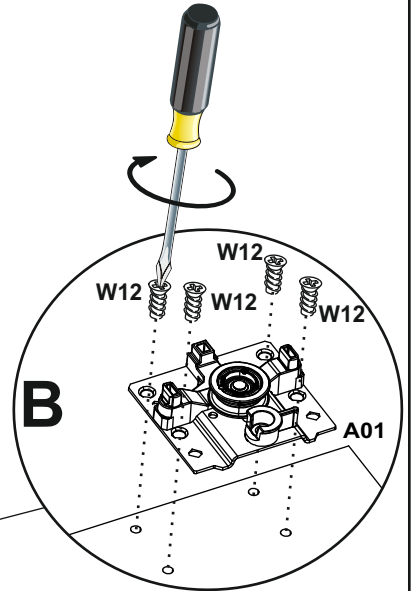
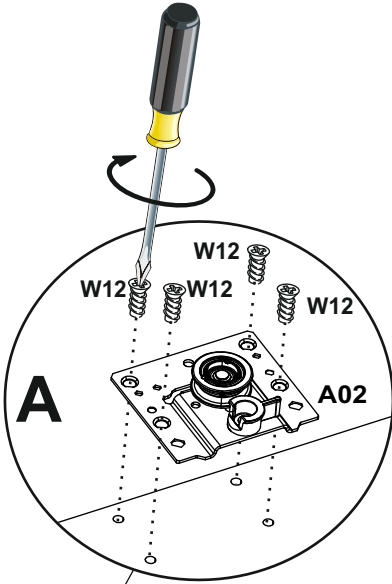
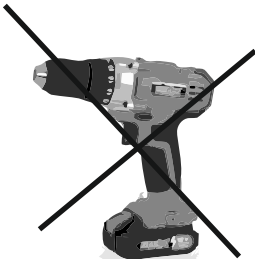
30

 2x A07	 2x A05	 6x11 12x W12	 1x A01	 1x A02
---	---	--	---	--

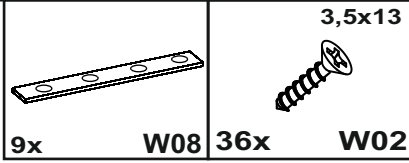


16 17 18


58-705-AJ

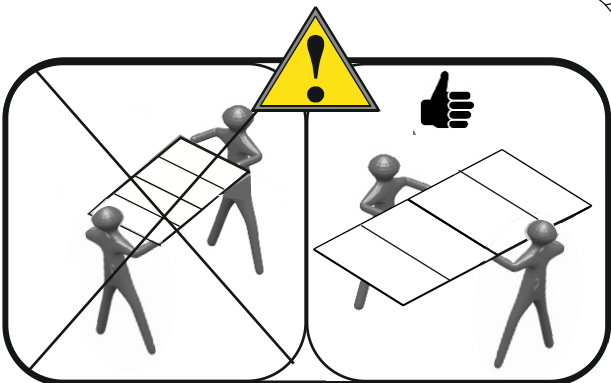
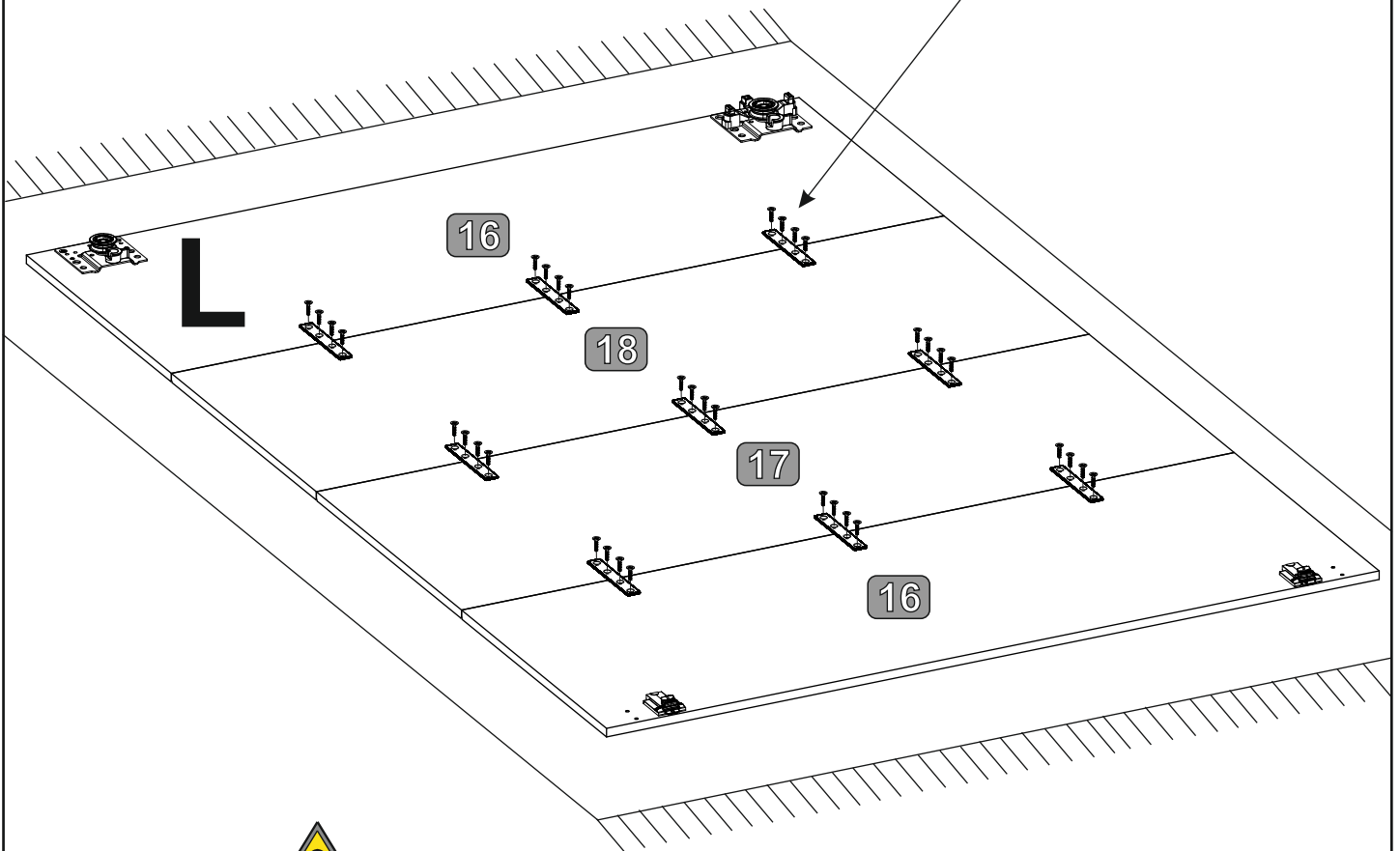
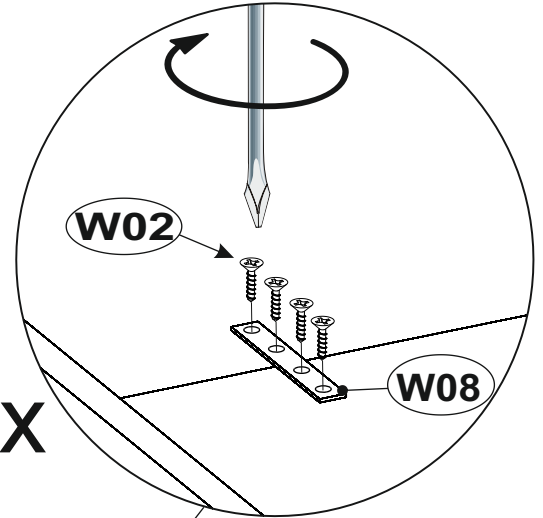


31

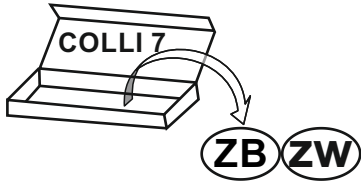
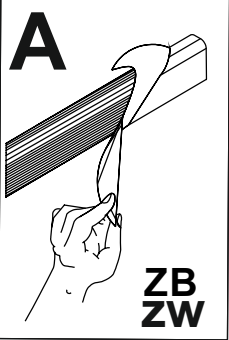
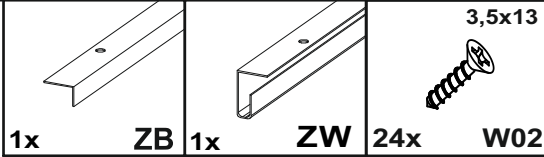


58-705-AJ

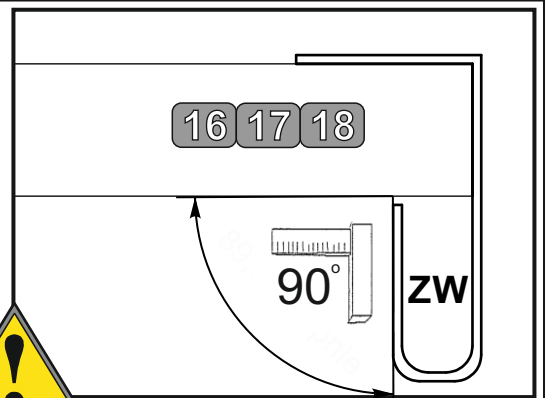
9x



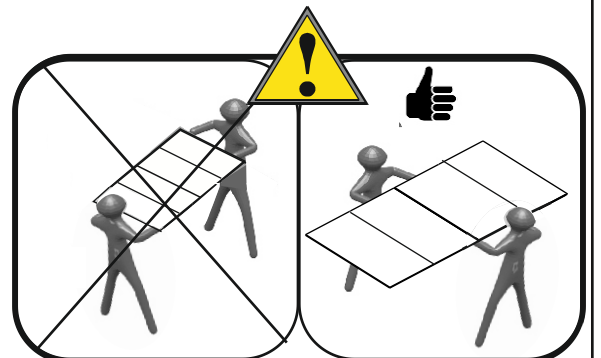
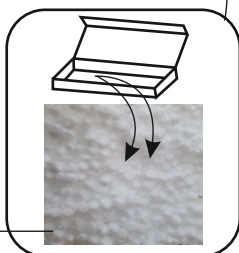
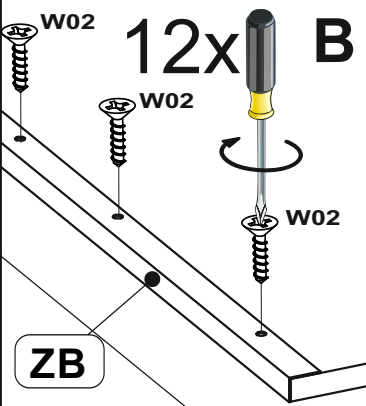
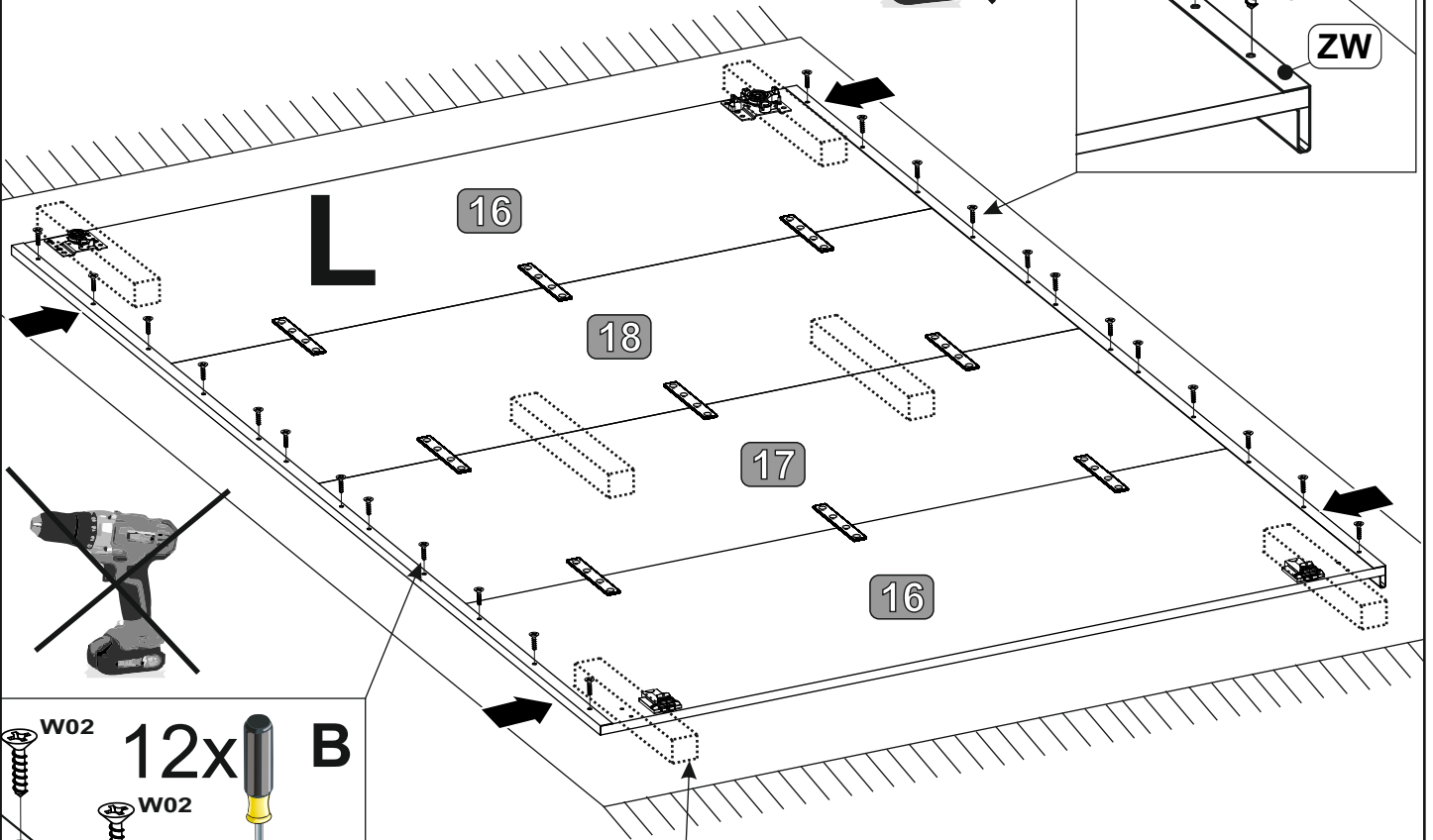
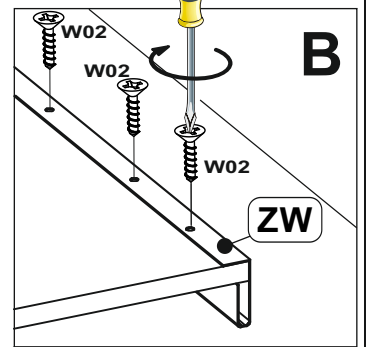
32



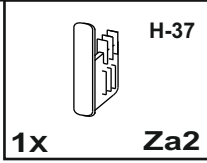
58-705-AJ



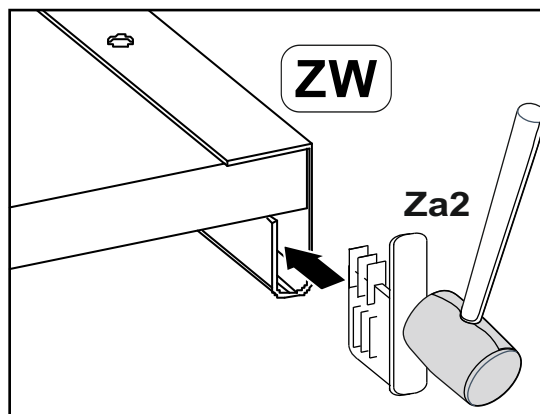
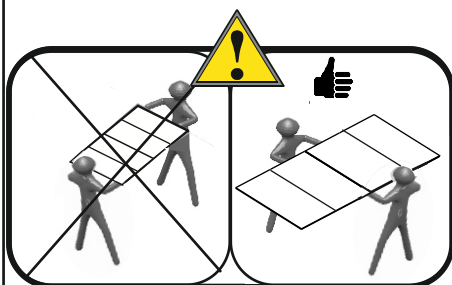
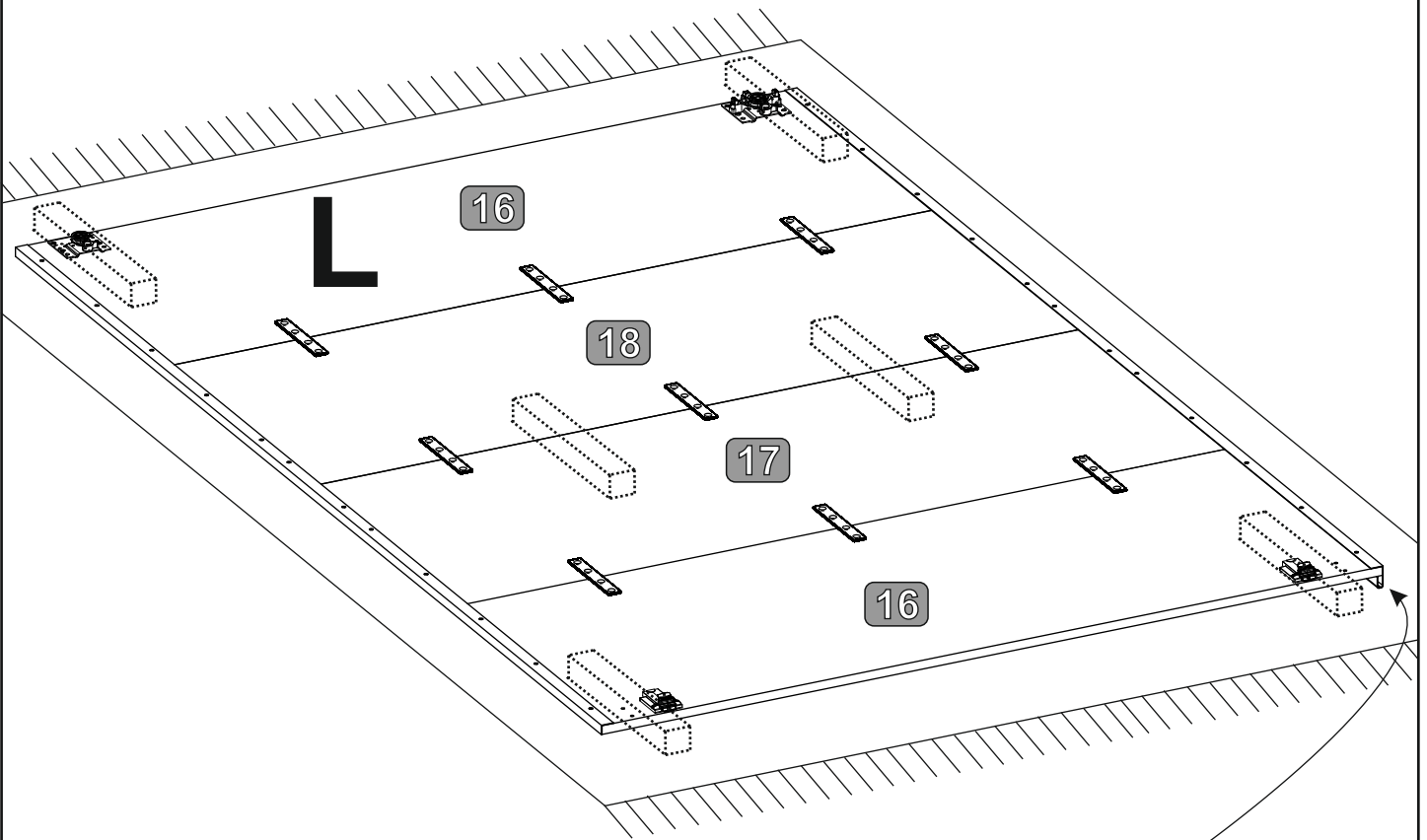
12x



33



58-705-AJ

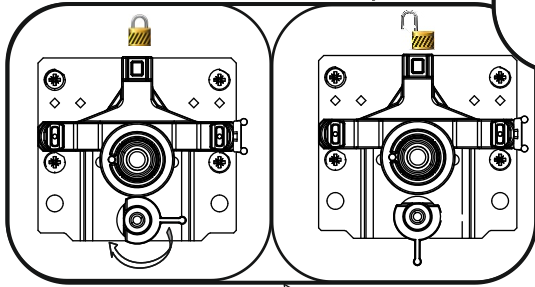


34

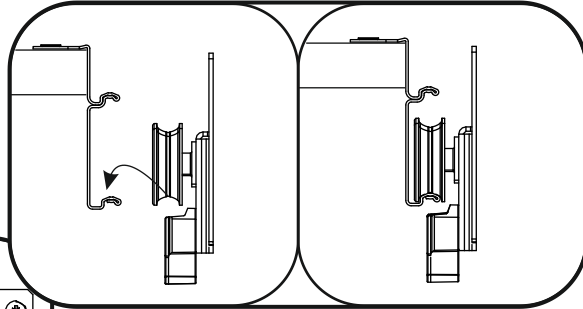


58-705-AJ

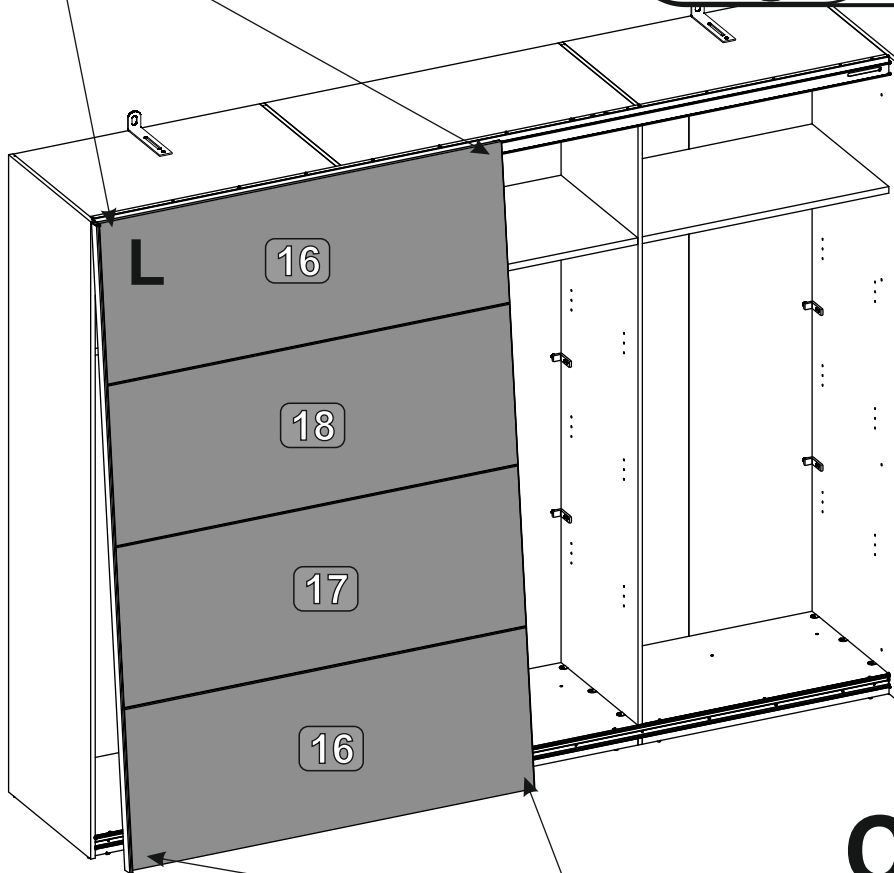
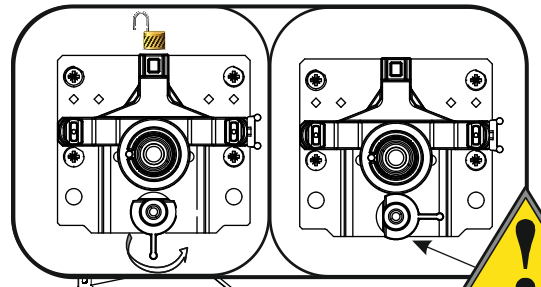
A



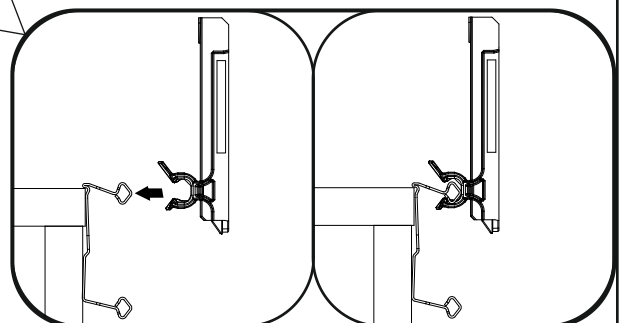
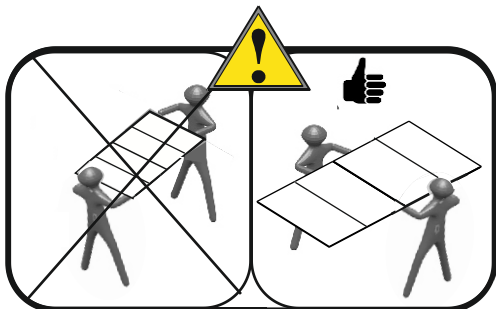
B




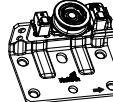
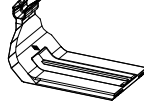
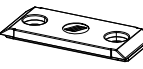

D



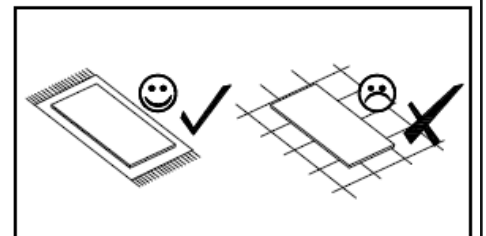
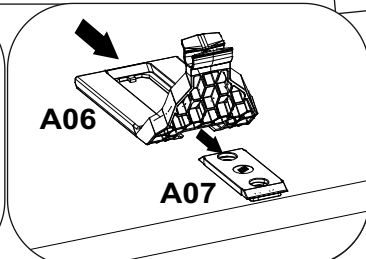
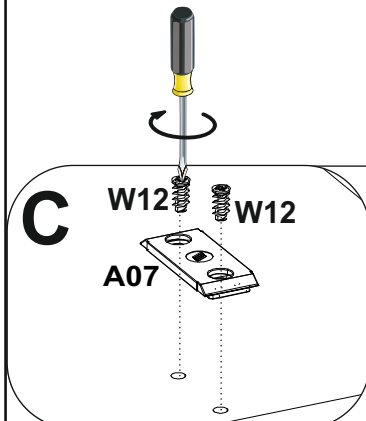
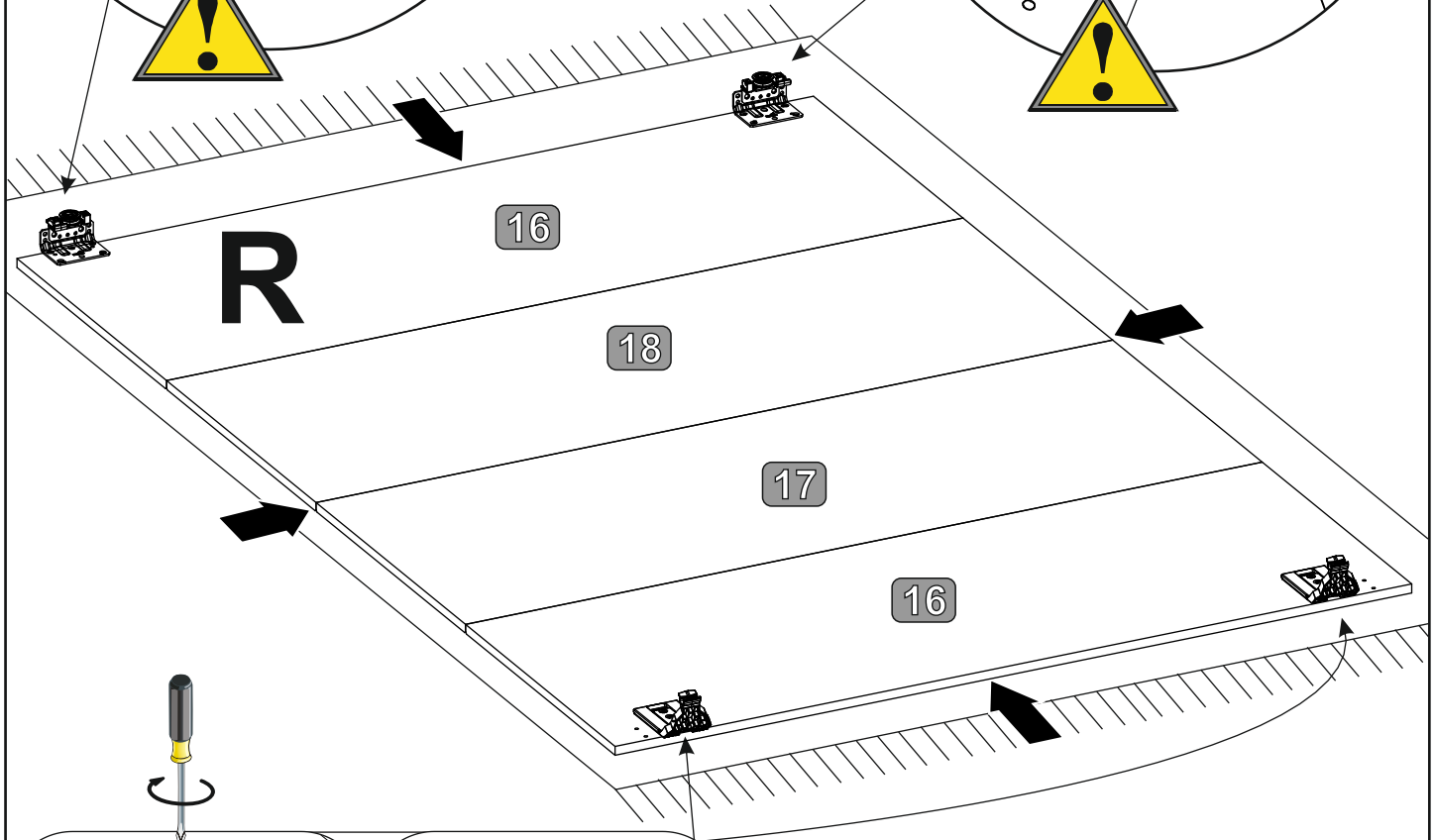
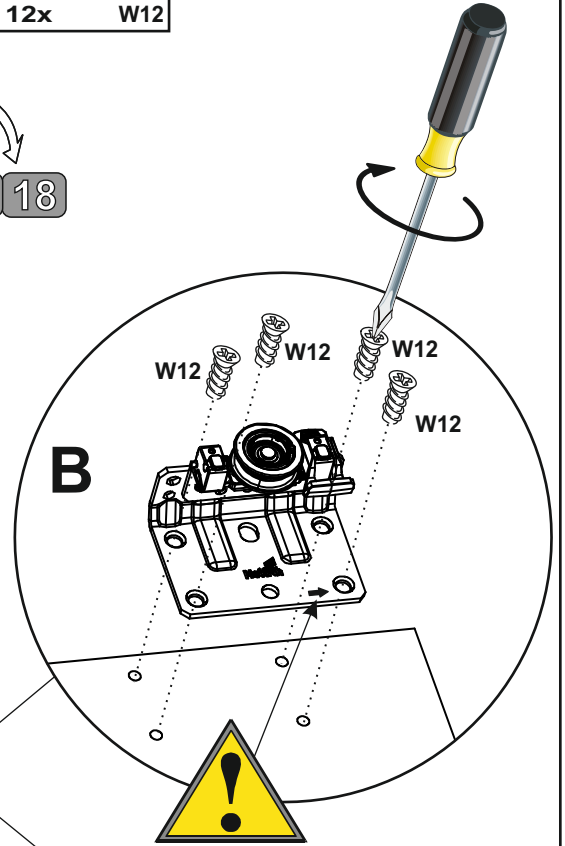
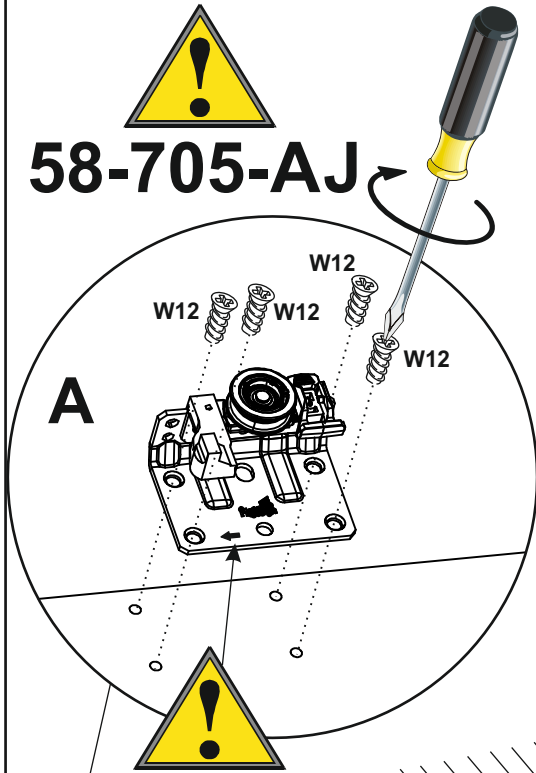
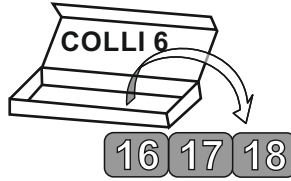
C



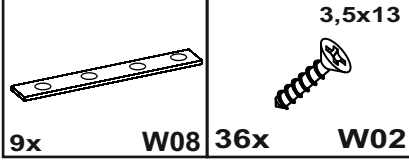
35

 1x A04	 1x A03	 2x A06	 2x A07	 6x11 12x W12
---	---	---	---	---

58-705-AJ

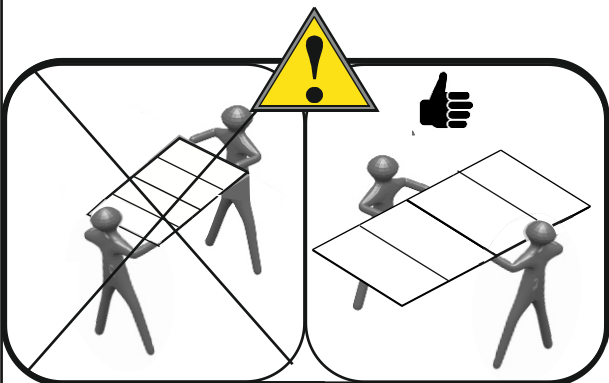
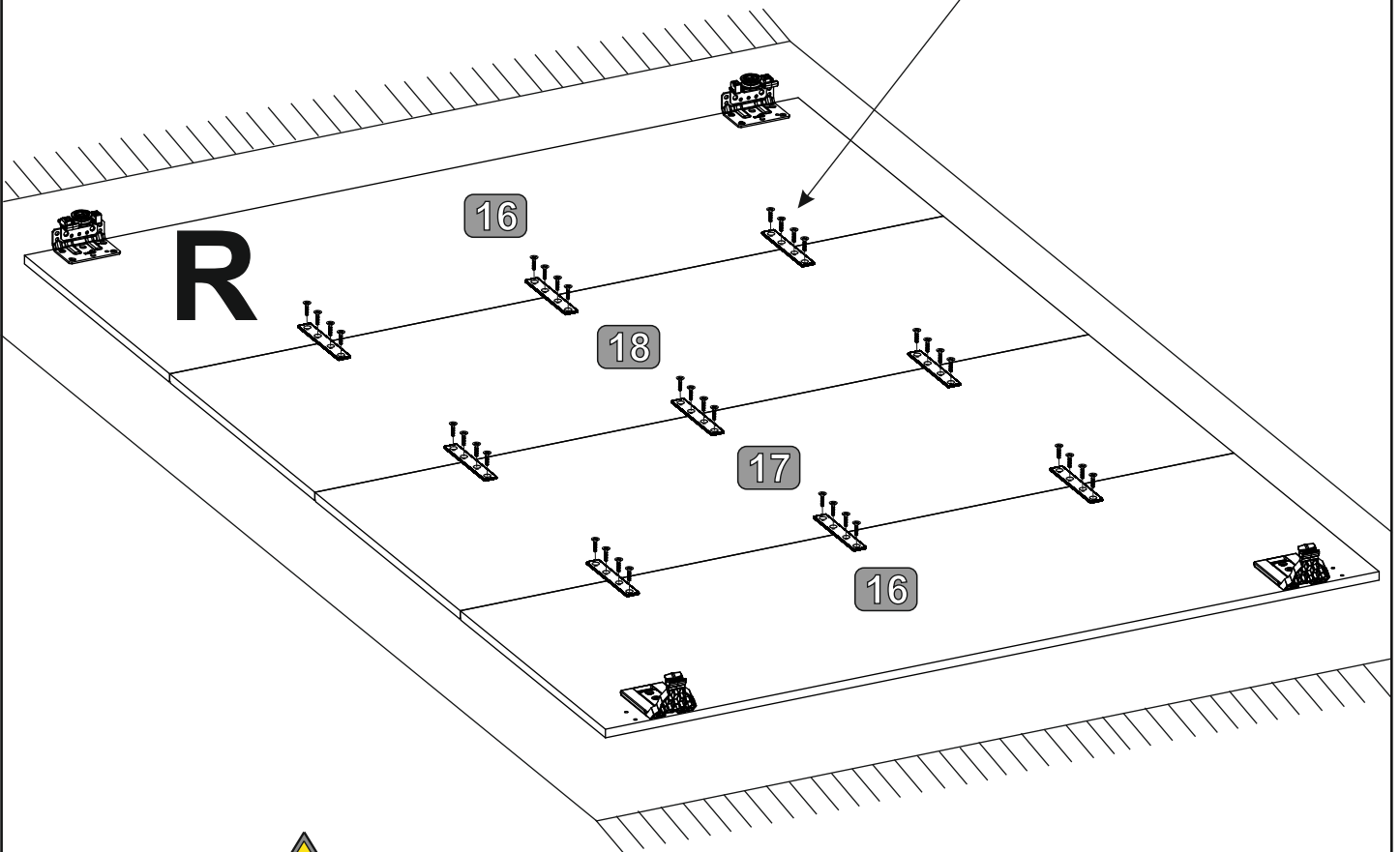
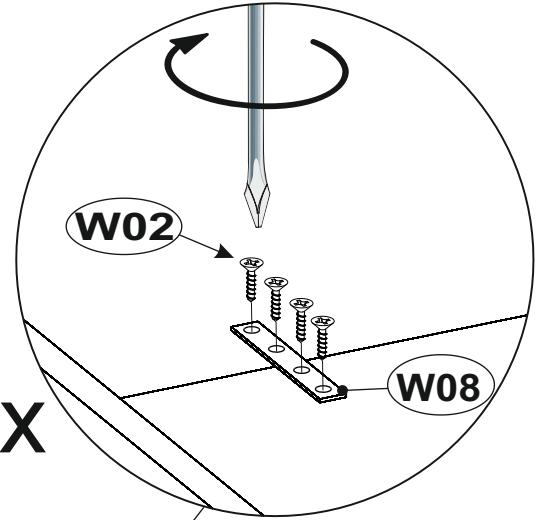


36

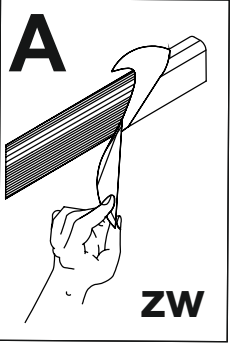
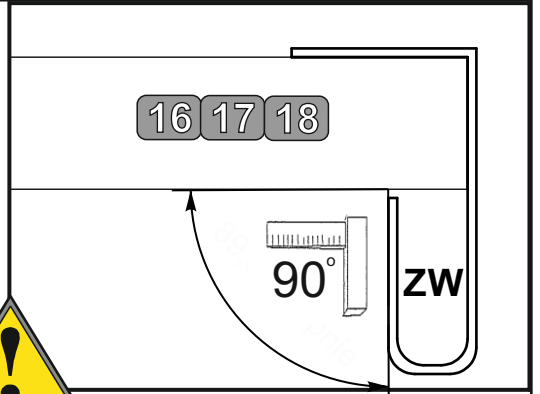
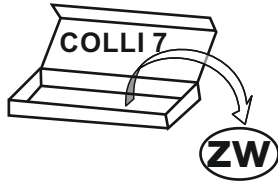
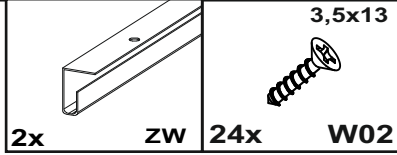


58-705-AJ

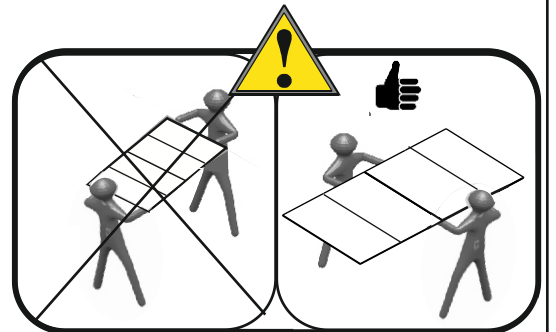
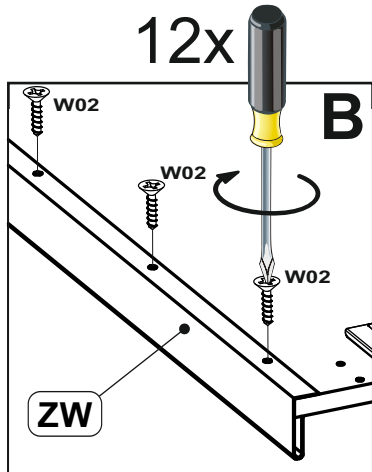
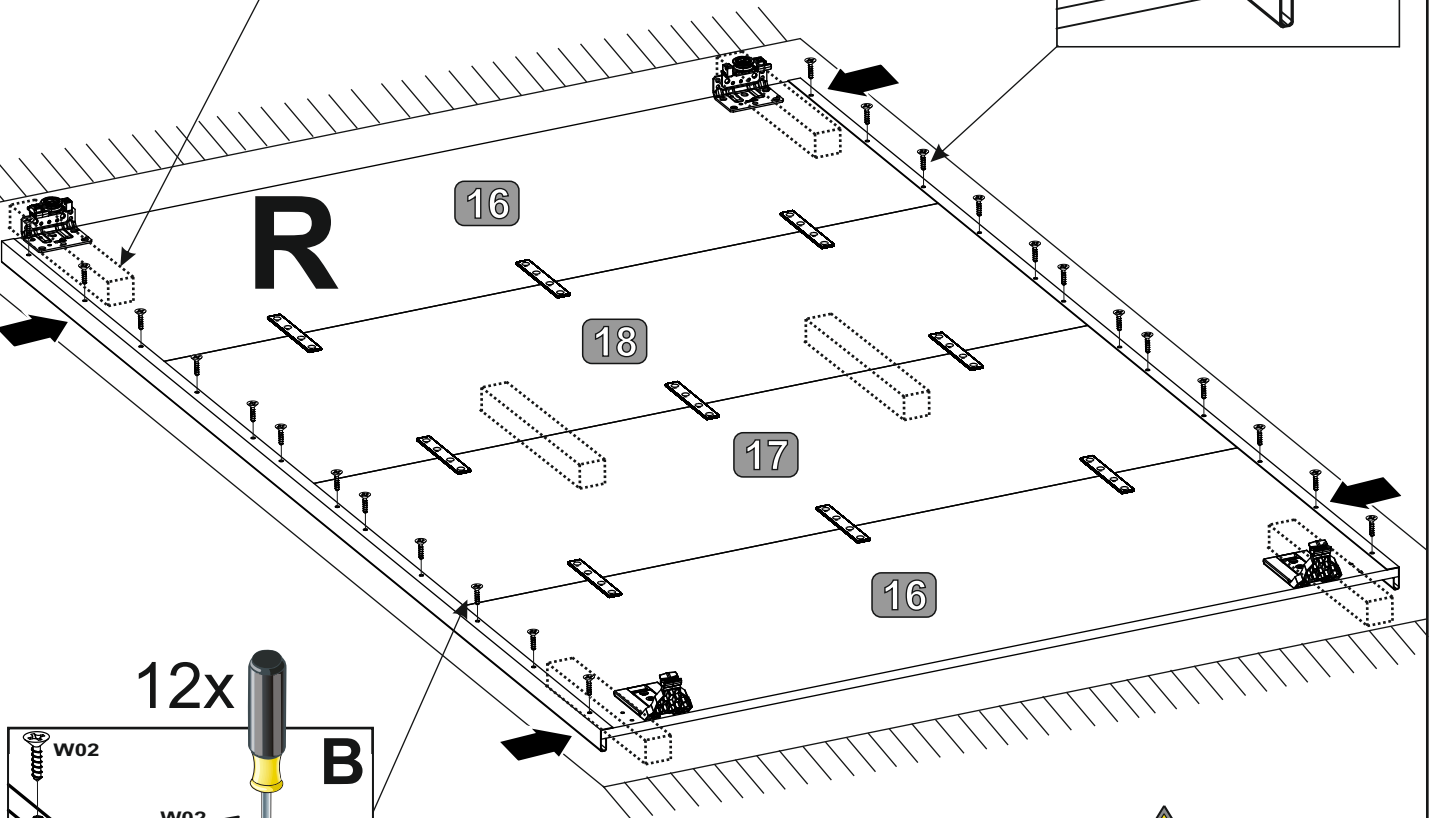
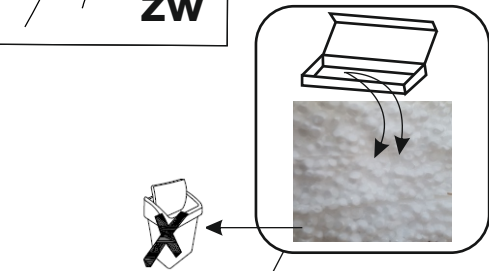
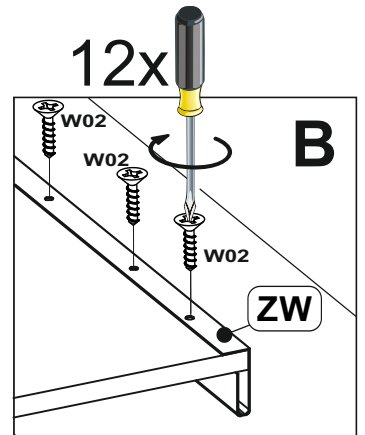
9x



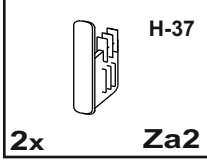
37



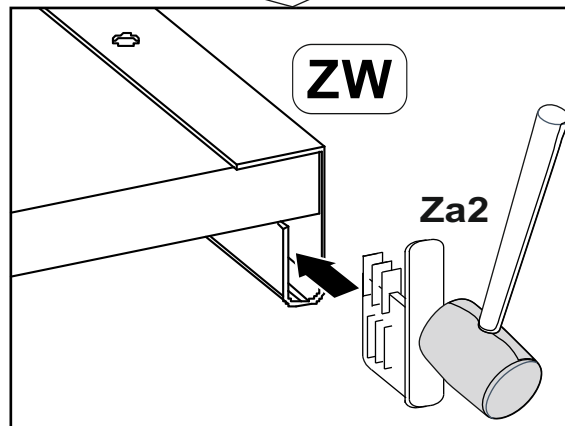
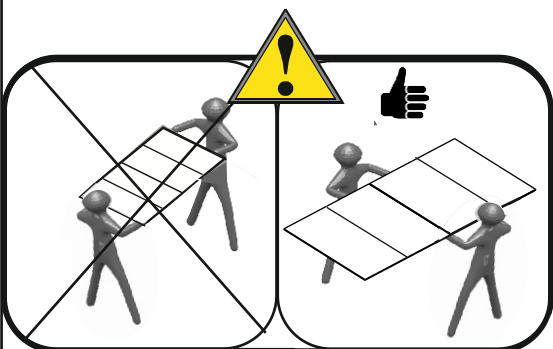
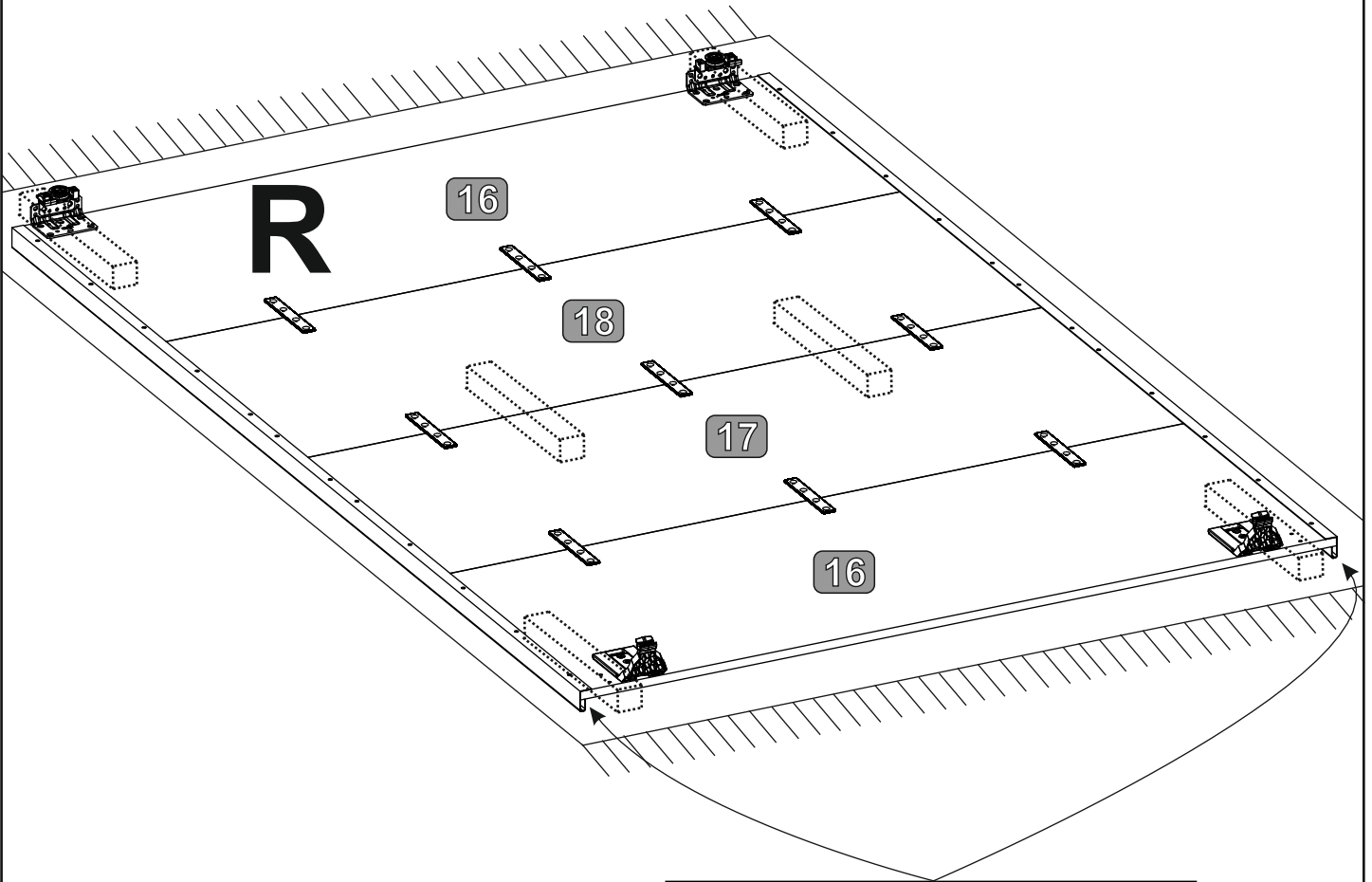
58-705-AJ



38

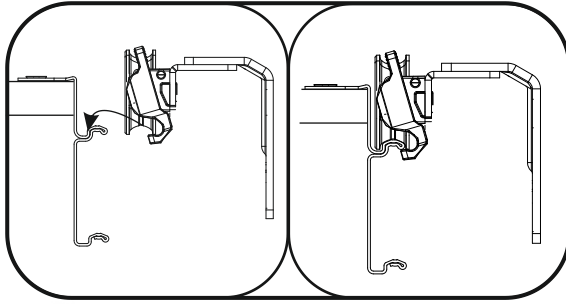


58-705-AJ

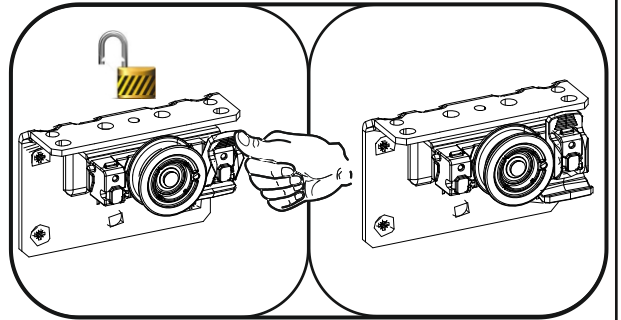


39

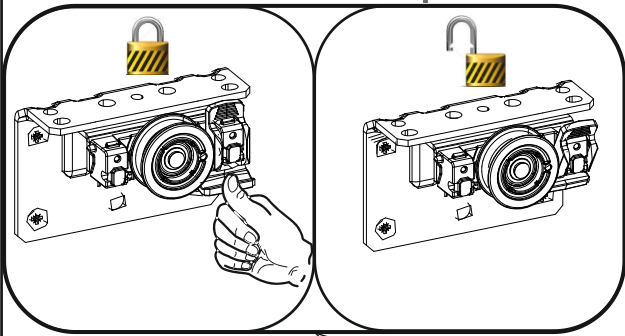
B



D

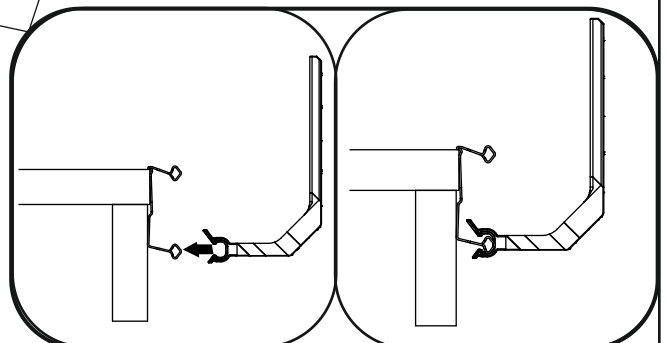
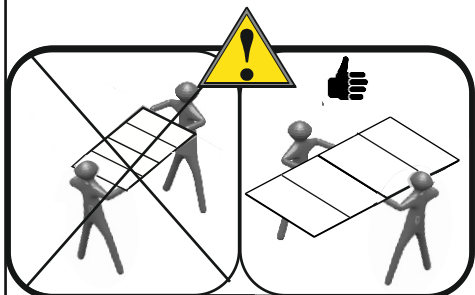
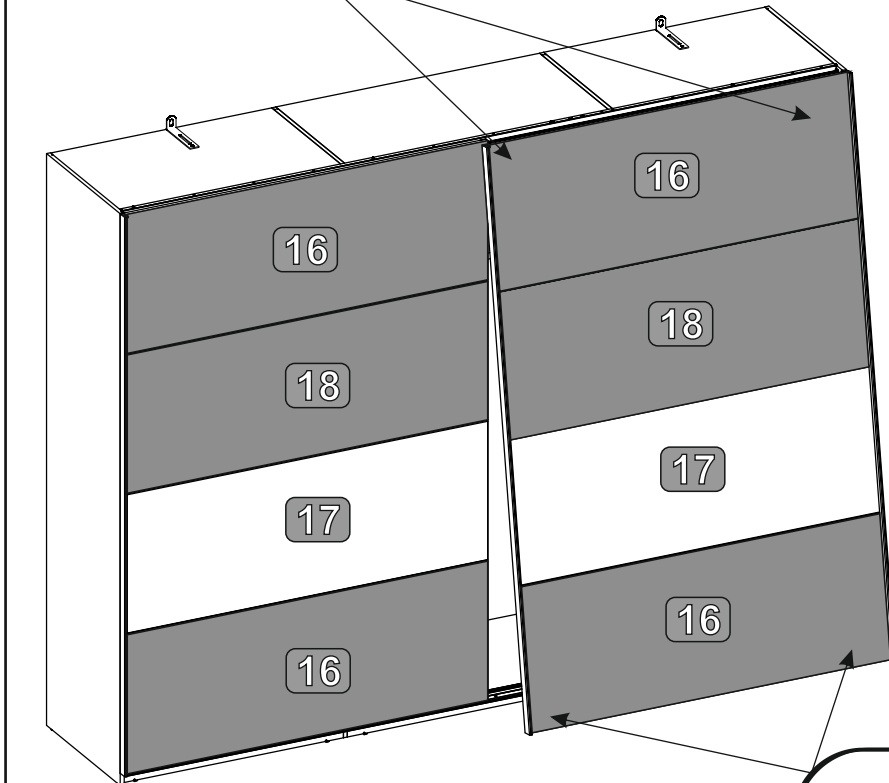


A



58-705-AJ

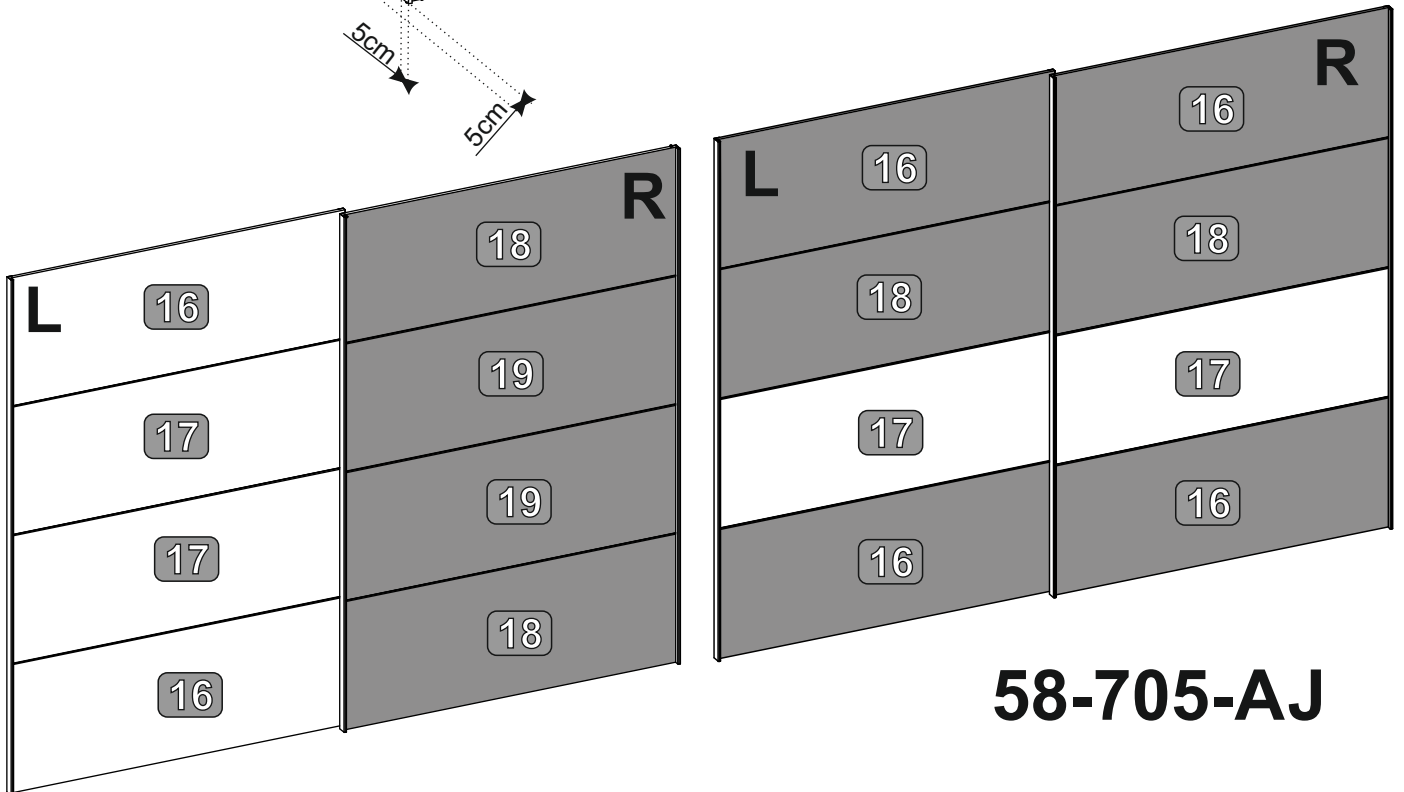
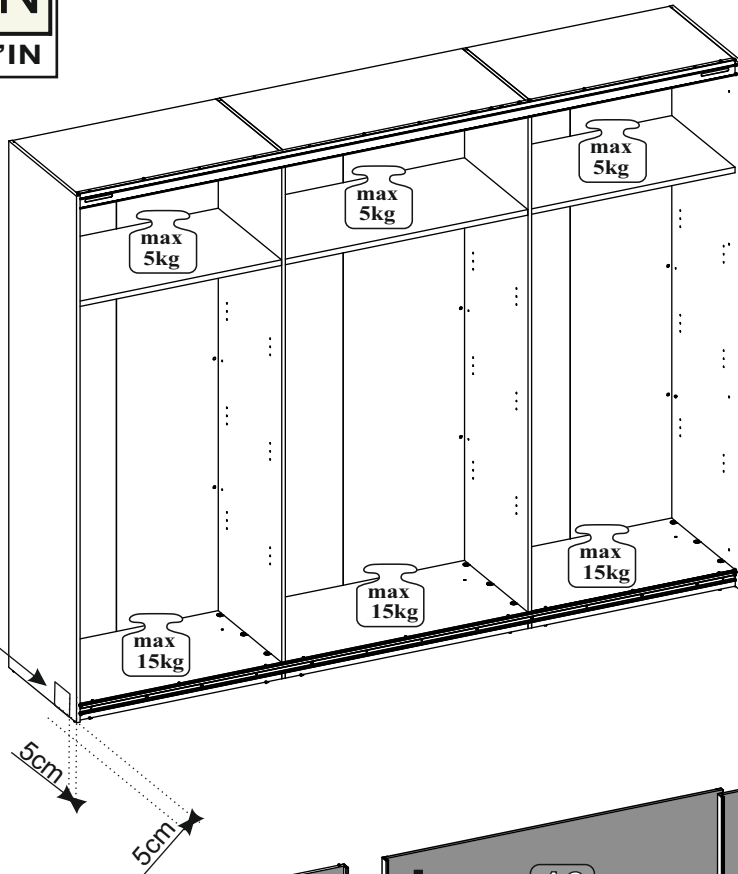
C



40

LIV'IN
1x LIV'IN

LIV'IN



58-705-L0

58-705-AJ

