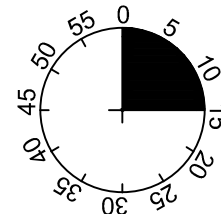
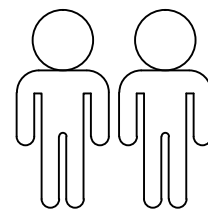
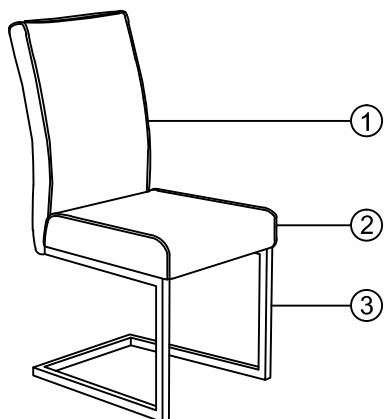


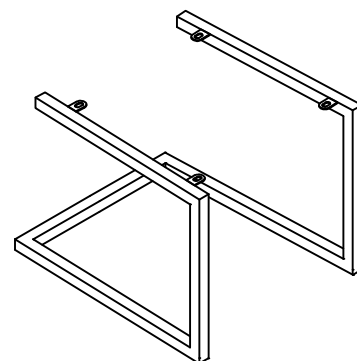
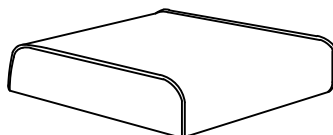
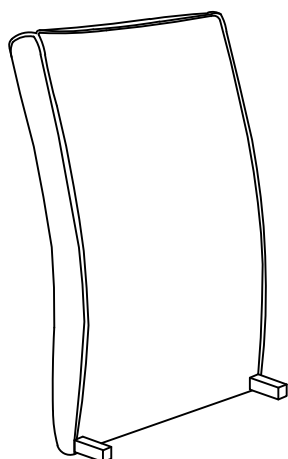
Gerda 1



1

2

3



1	1x
2	1x
3	1x

A M6X20

4x

B M6X12

4x

C Ø18xØ6x1.5

4x

D 4MM

1x

I.

1

B M6x12
4x

D 4MM
1x

75%

2

A M6x20
4x

C Ø18xØ6x1.5
4x

D 4MM
1x

75%

3

D 4MM
1x

100%

