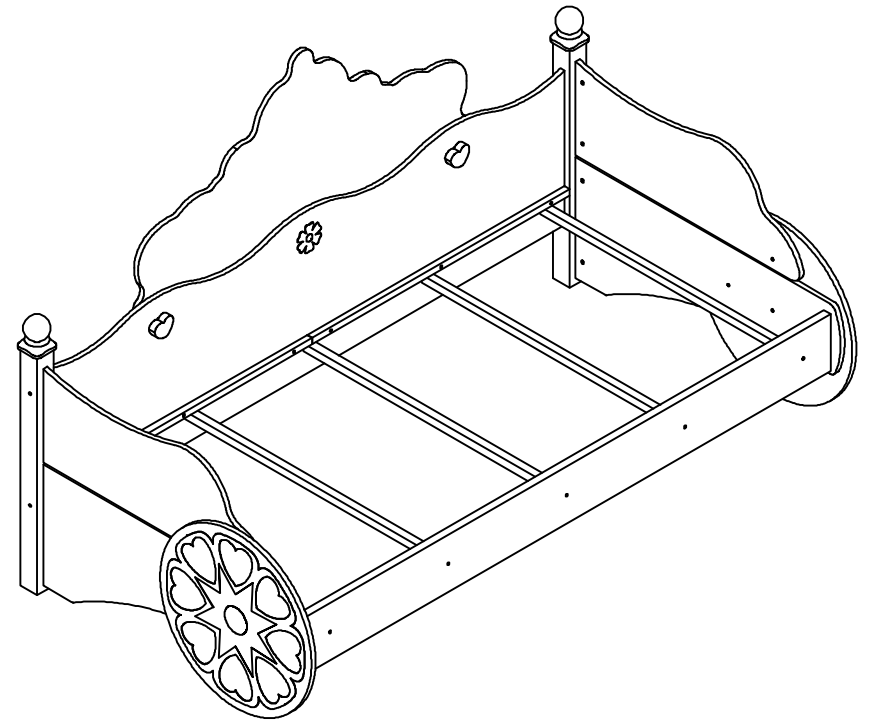


MODEL: 57-525-11-3 PRINCESS BETT
PINK

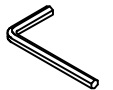
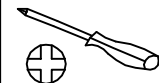


ASSEMBLE DIFFICULTY



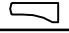

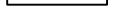



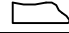






1 2 ③ 4 5



30 MINUTES



DESCRIPTION OF COMPONENT

ITEM NO	WORK PIECE DESCRIPTION	MEASUREMENT	QTY	COLOUR	SHAPE	PACK IN BOX
(1)	BACK UPPER PANEL	1200*600*15	1	PINK		1/3
(2)	SIDE PANEL (L)	962.5*380*15	1	PINK		1/3
(3)	SIDE PANEL (R)	962.5*380*15	1	PINK		1/3
(4)	WHEEL COVER	554*554*15	2	PINK		1/3
(5)	SIDE PANEL	2010*180*25	1	PURPLE		2/3
(6)	ARTICLE RIBS	1000*25*22	2	WHITE		2/3
(7)	ARTICLE RIBS	978*25*22	2	WHITE		2/3
(8)	BACK LOWER PANEL	1965*512*15	1	PINK		2/3
(9)	GUARD RAIL	814*281.5*15	2	PINK		2/3
(10)	HIGH SUPPORT POLE (L)	750*60*60	1	PURPLE		3/3
(11)	HIGH SUPPORT POLE (R)	750*60*60	1	PURPLE		3/3
(12)	SQUARE PIPE	905*25*25	5	WHITE		3/3
(13)	HARDWARE	520*127*31	1	BROWN		3/3
(14)	STYLE SUPPORT	80*80*25	2	PINK		3/3
(15)	HANG POLE	55*55*65	2	PINK		3/3

MODEL : B168 (905*2020)

български

čeština

Dansk

Deutsch

Eesti

ελληνικά

English

español

Français

suomalainen

hrvatski

magyar

Italiano

Latvijas

Lietuvos

Nederlands

Polski

português

român

slovenský

slovenščina

Svenska



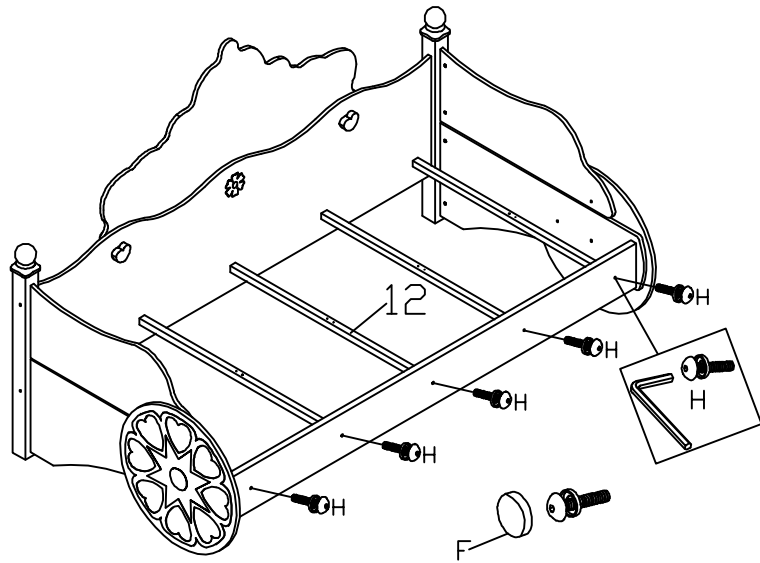
POL Power

Ul. Poznanska 113a

PL 62-052

Komorniki

15



H



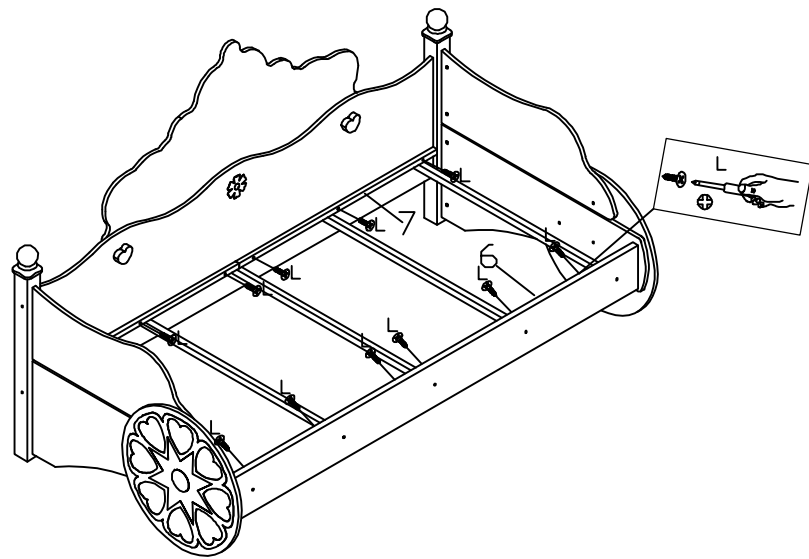
M6*50
QTY:10

F



QTY:5

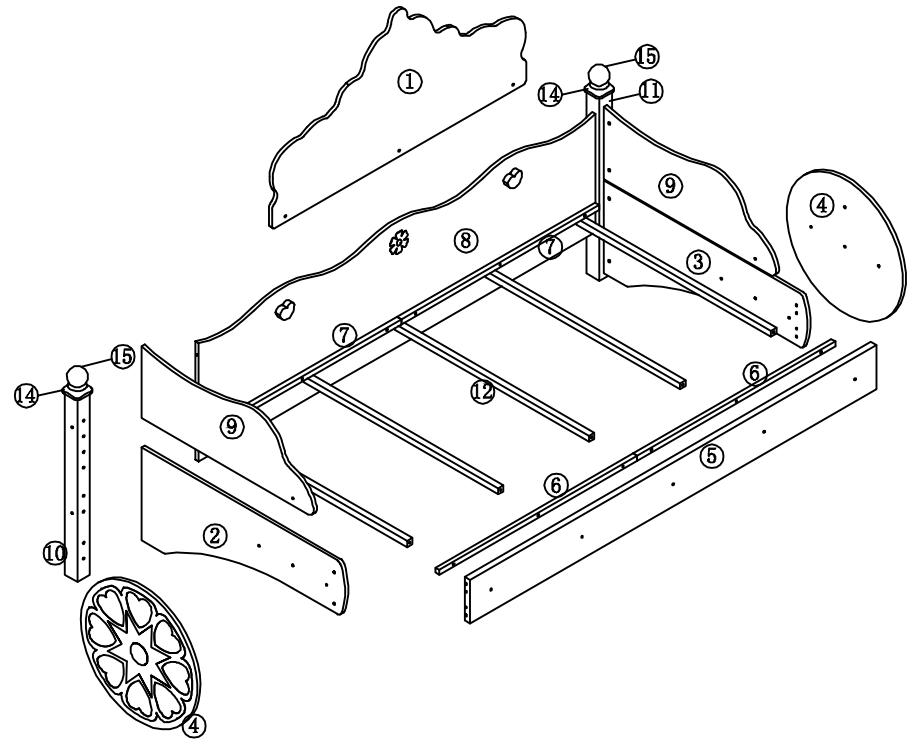
16



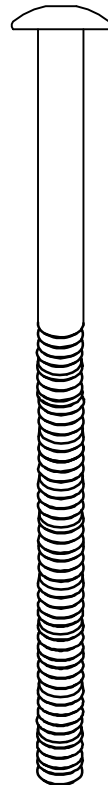
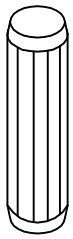
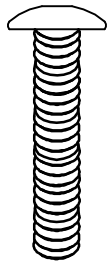
L



8# *25
QTY:12



SCALE 1:1



A

B

C

D

E

M6*30
11X

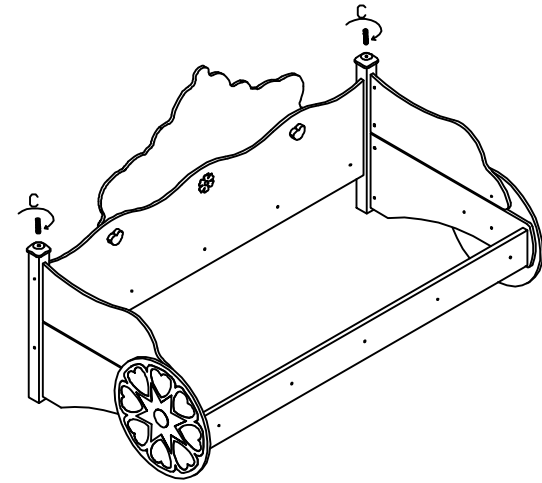
∅8*30
16X

M8*50
2X

M6*100
12X

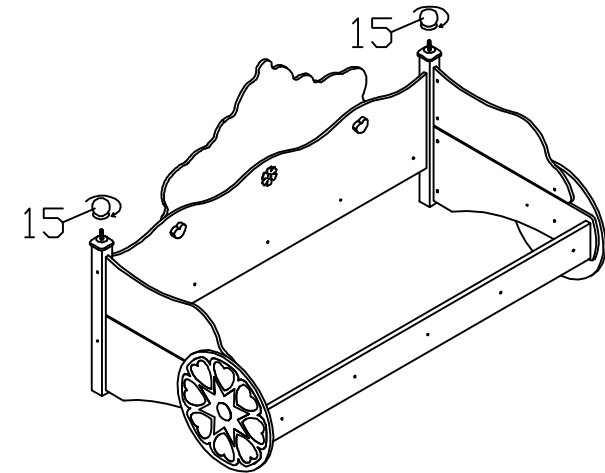
16X

13

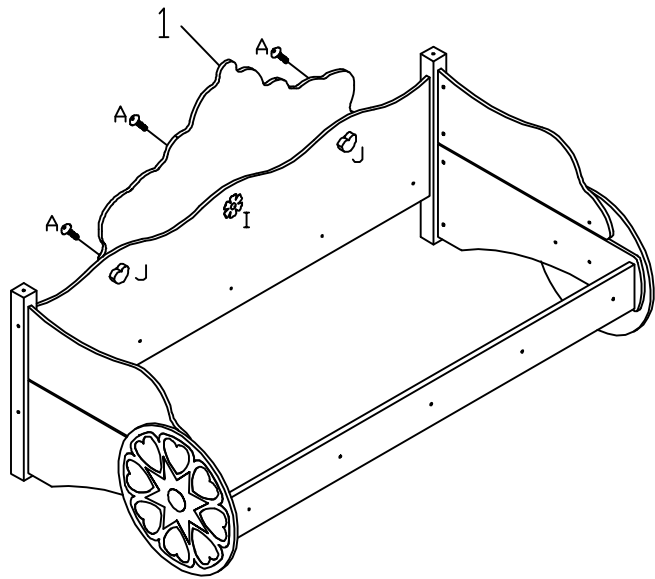


M8*50
QTY:2

14



11



A



M6*30
QTY:3

I



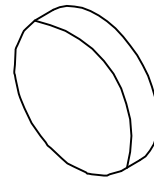
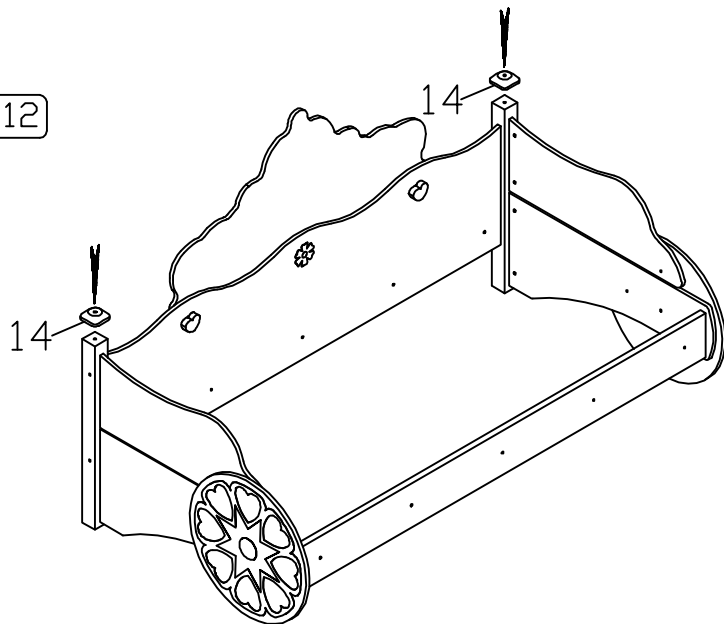
QTY:1

J



QTY:2

12



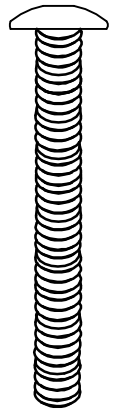
F

21X



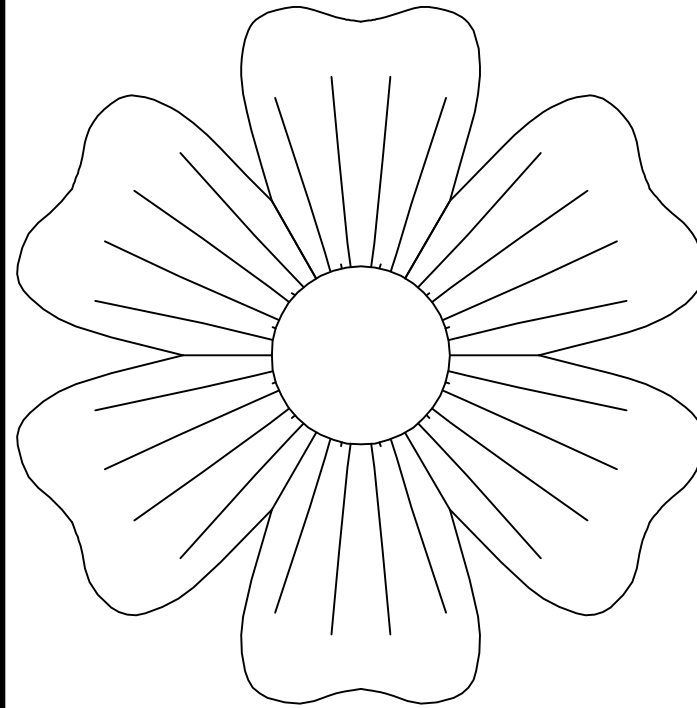
G

10X



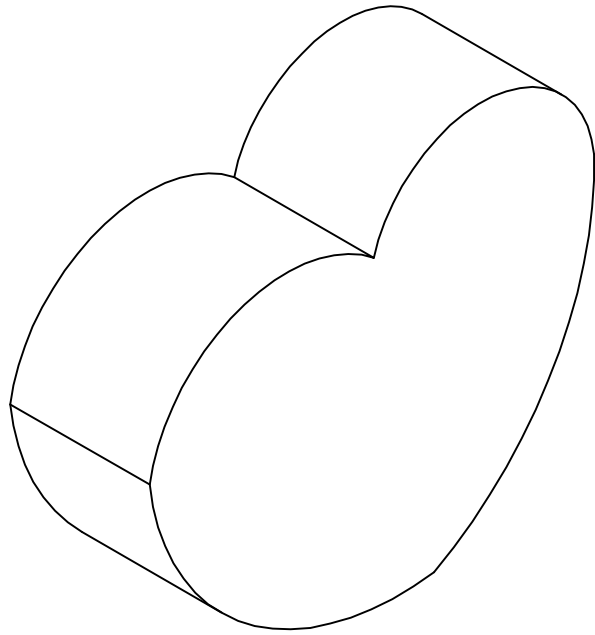
H

M6*50
14X



I

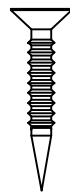
1X



J
2X

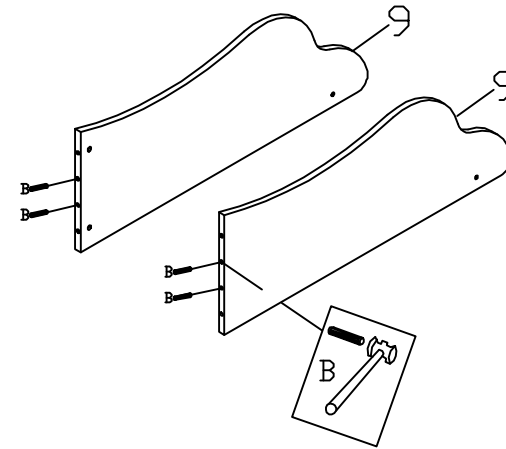



K
2X



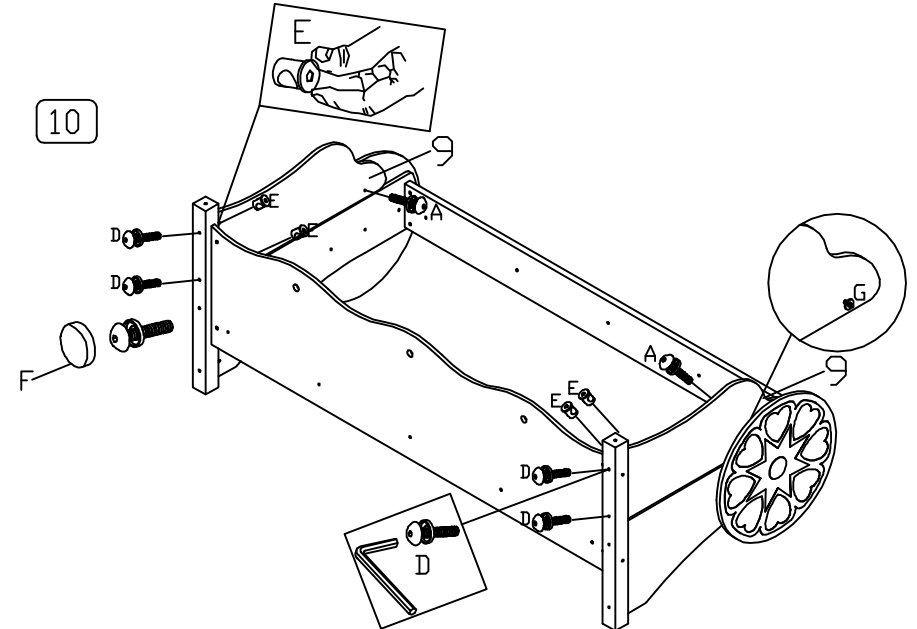
L
8#*25
12X

9



B  d8*30
QTY:4

10



A  M6*30
QTY:2

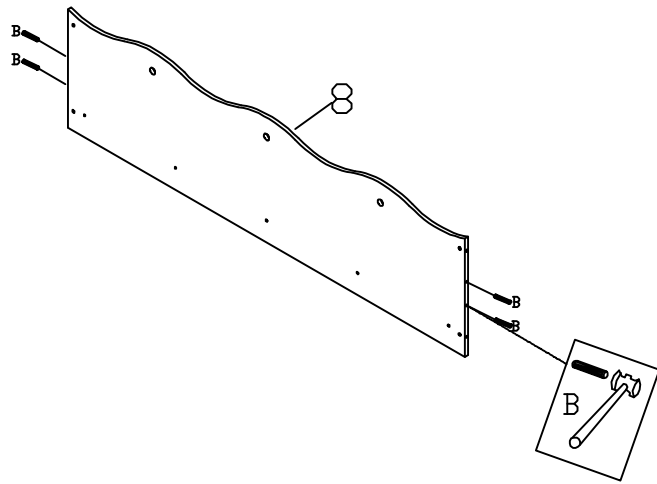
D  M6*100
QTY:4


E  QTY:4

F  QTY:6

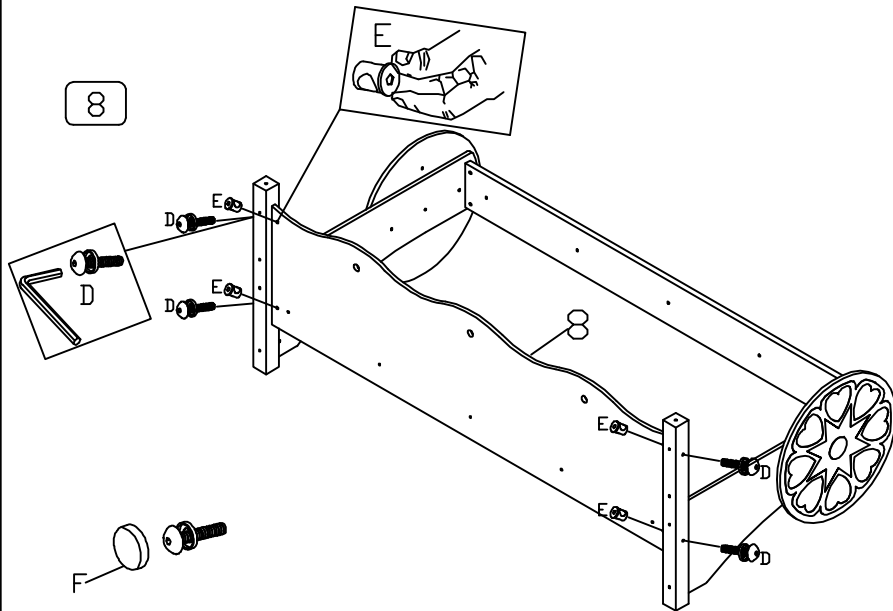
G  QTY:2


7




B  d8*30
QTY:4

8

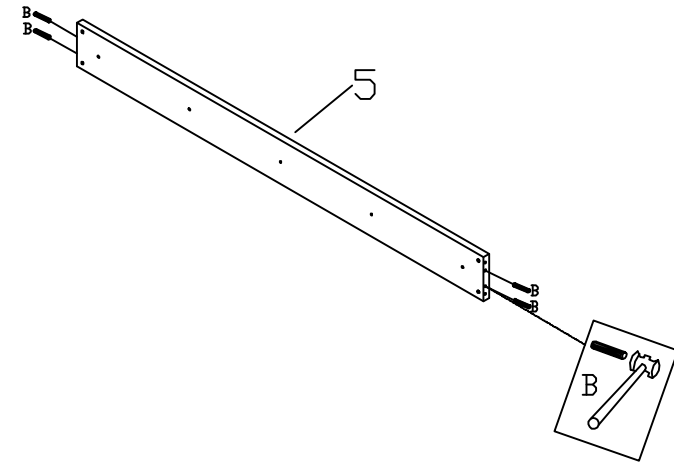


D  M6*100
QTY:4

E  QTY:4

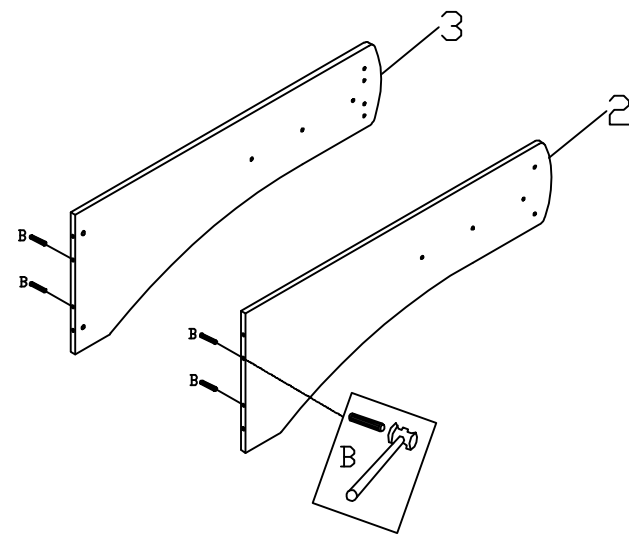
F  QTY:4


1



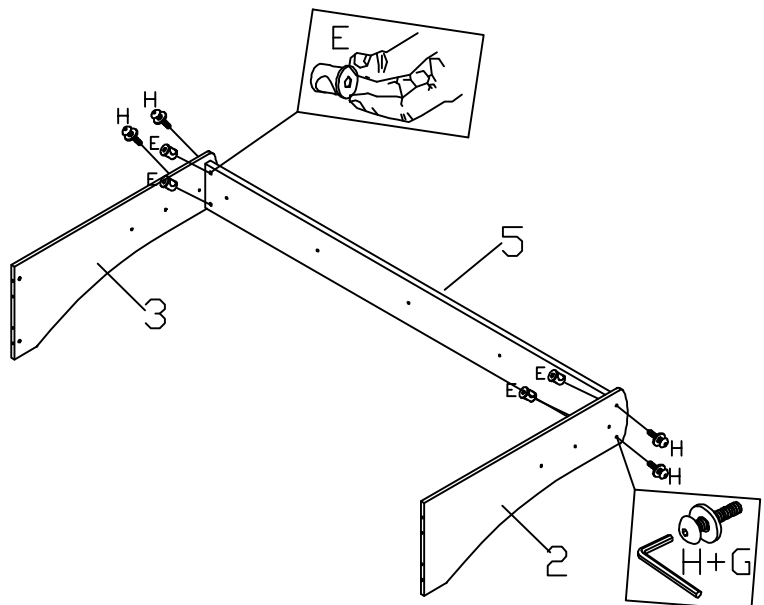
B  d8*30
QTY:4

2



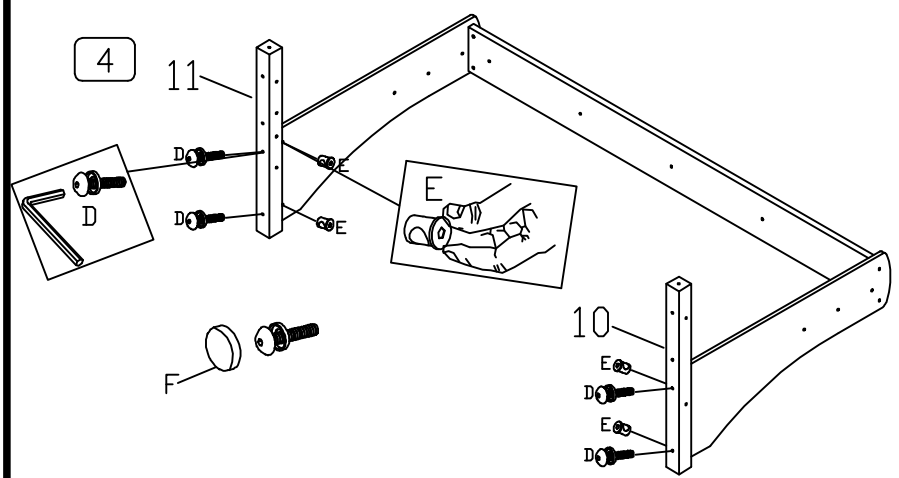
B  d8*30
QTY:4

3



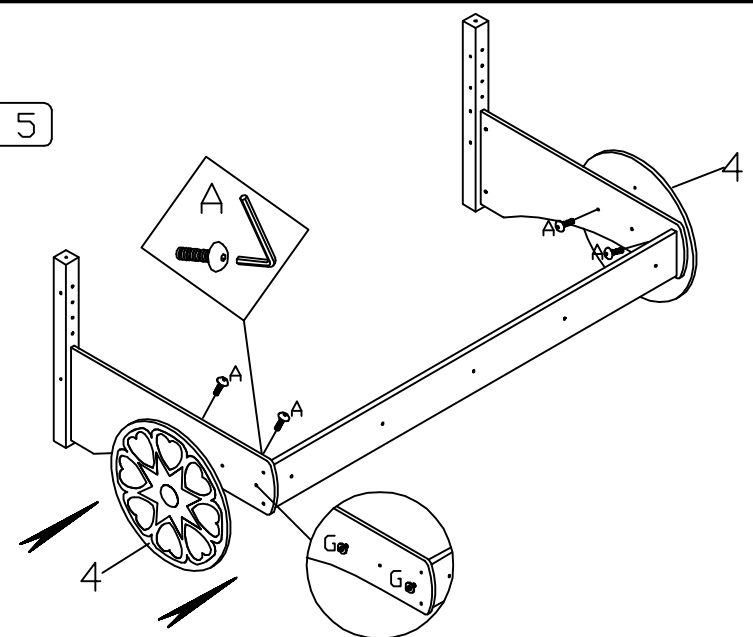
H		M6*50 QTY:4	E		QTY:4	G		QTY:4
---	--	----------------	---	--	-------	---	--	-------

4



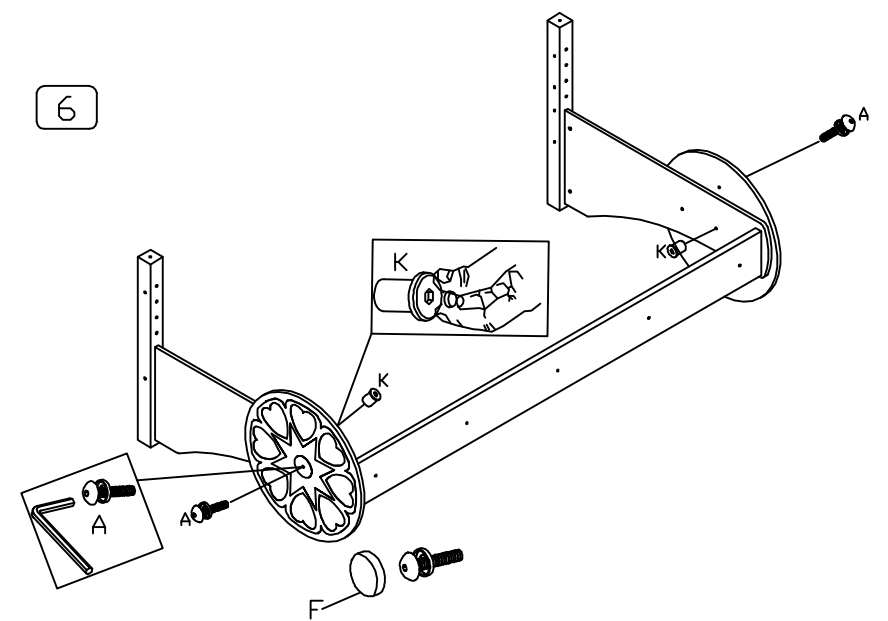
D		M6*100 QTY:4	E		QTY:4	F		QTY:4
---	--	-----------------	---	--	-------	---	--	-------

5



A		M6*30 QTY:4	G		QTY:4
---	--	----------------	---	--	-------

6



A		M6*30 QTY:2	K		QTY:2	F		QTY:2
---	--	----------------	---	--	-------	---	--	-------