

Built-in Hob EBK 962

Features

- Independent Glass-ceramic hob, width 60 cm
- 4 Cooking zones
 - 2 cooking zones: Ø 20.0 cm / 1.800 W
 - 2 cooking zones: Ø 16.5 cm / 1.200 W
- Residual heat indicator
- Electronic control system „Touch Control“
- Digital display for power level / timer setting
- 9 Power levels
- Automatic parboiling
- Timer function 1-99 min.
 - Automatic cook stop for each cooking zone (usable at the same time)
 - Minute minder
- Safety child lock
- Overheating protection
- Safety switch off
- Frameless design
- incl. connection cable

Built-in Measures (cut out)

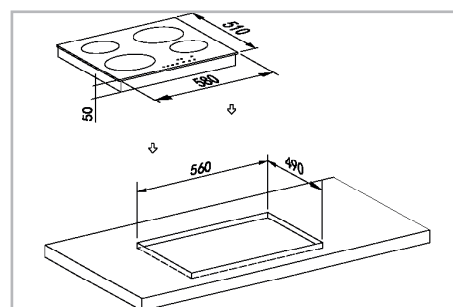
56.0 x 49.0 cm (W x D)

Technical Data

Power connection: 220-240 V~ / 50/60 Hz

Connection power: 6.000 W

Fuse protection: 2 x 16 A



Color: black
Article-No.: 796 200
Article EAN-Code: 4 004 470 796 209

Logistic Data
Unit size: 5.0 x 58.0 x 51.0 cm (HxWxD)
Packaging: 13.0 x 64.5 x 57.0 cm (HxWxD)
Net weight: 8.2 kg
Gross weight: 9.5 kg

C. Bomann GmbH
Heinrich-Horten-Straße 17
47906 Kempen
Tel.: +49 (0) 21 52 / 89 98 0
Fax: +49 (0) 21 52 / 89 98 911
mail@bomann.de
www.bomann.de

20"/40"/HQ Container: 612 / 1275 / 1419

Available from: October 2018