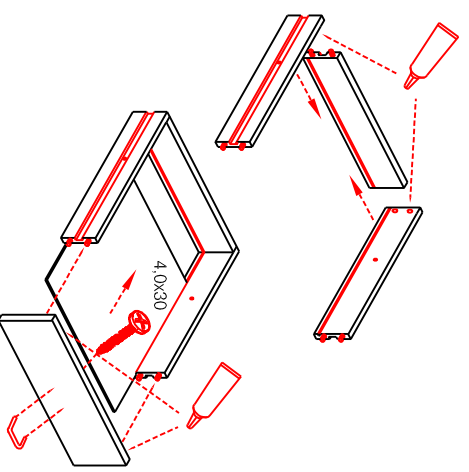
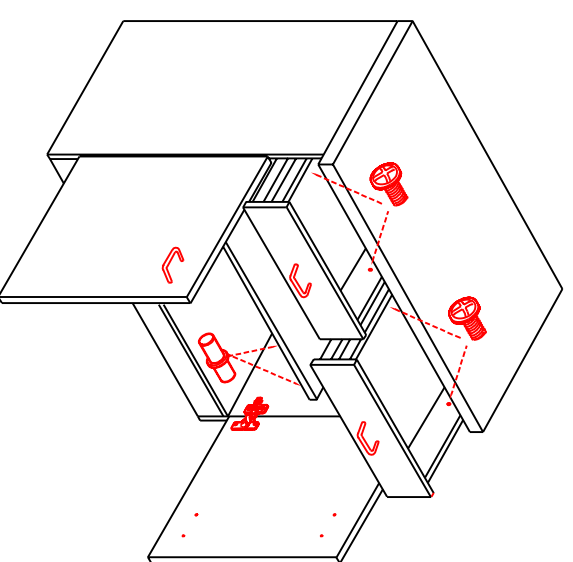
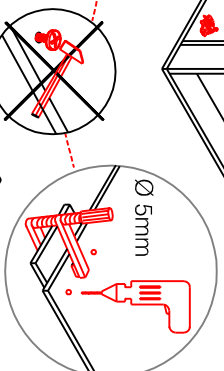
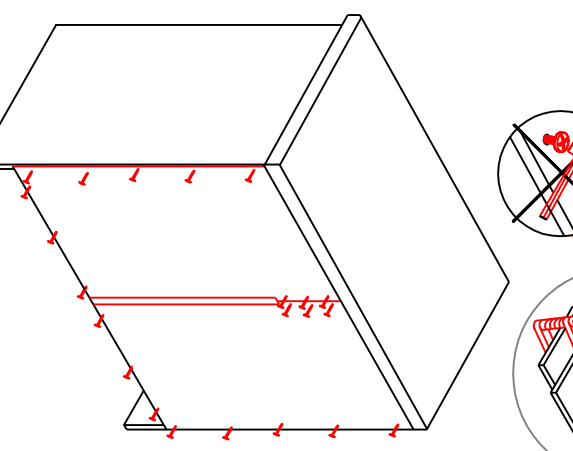
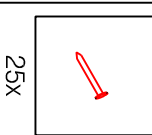
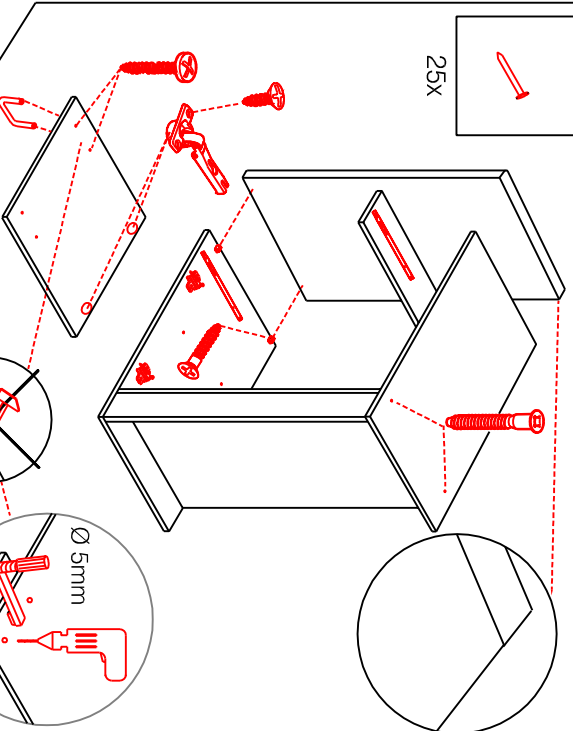
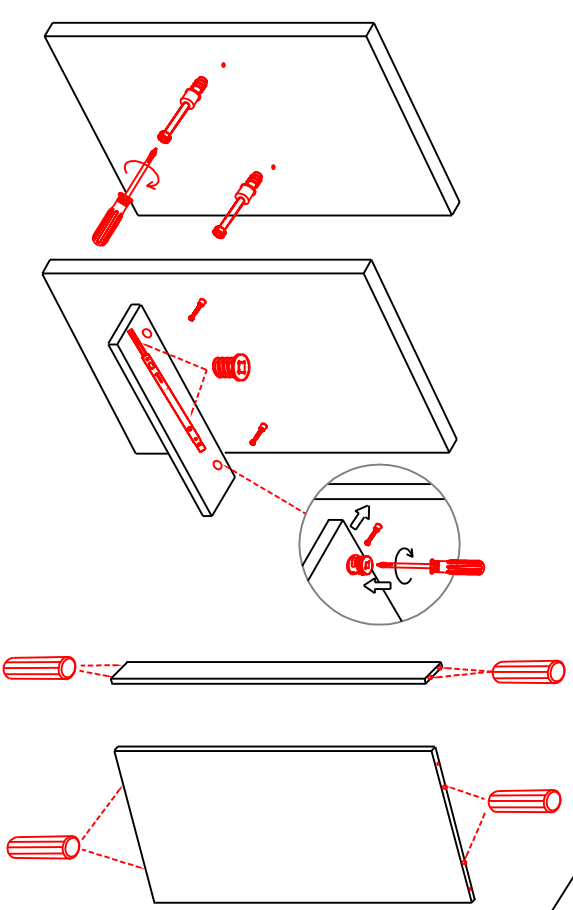
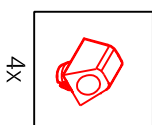
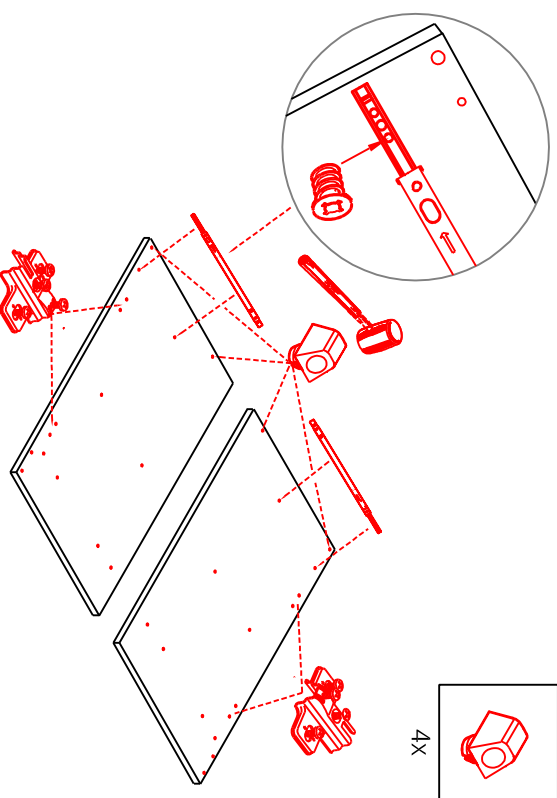
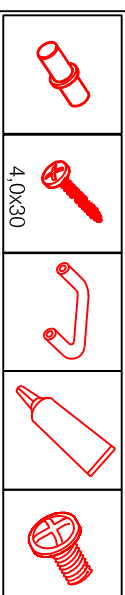
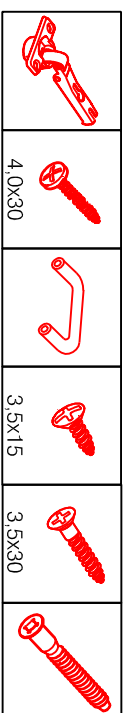
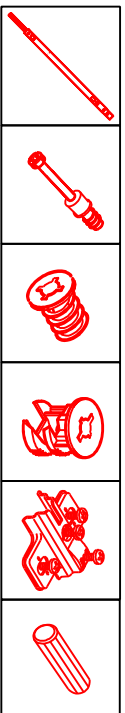


US 100-50 Speed

Montageanleitung / Notice de montage / Assembly instruction



4.0x30