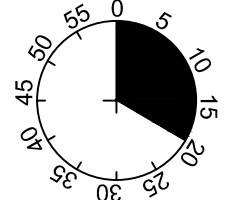
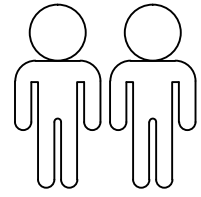
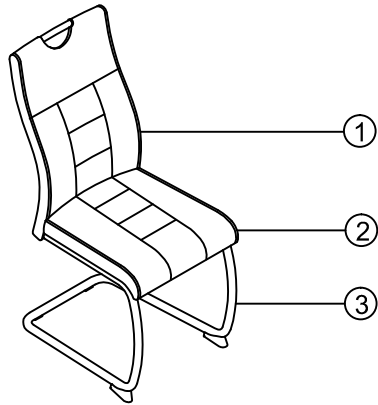


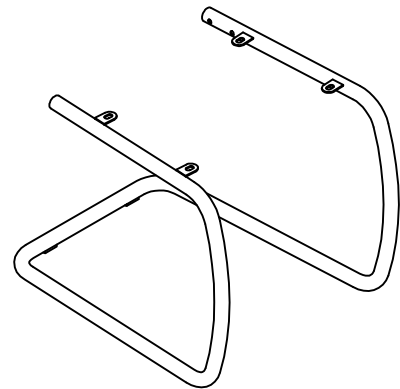
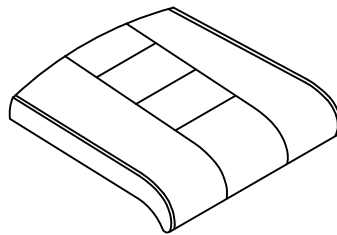
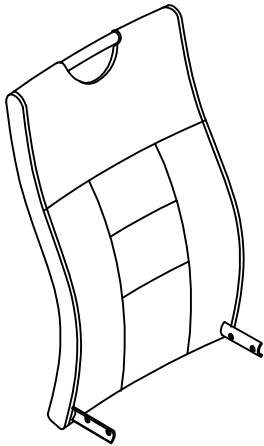
# Alina



1

2

3

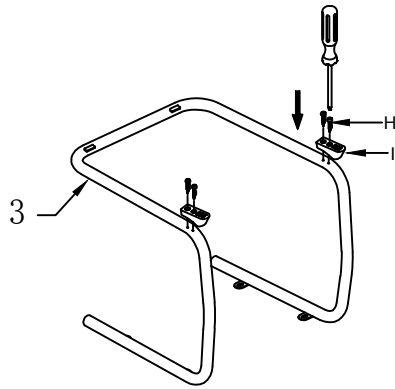


1	1x
2	1x
3	1x

A	M6X20	B	M8x20	C	Ø18xØ8x1.5	D	Ø18xØ6x1.5	E	M8	F	4MM
	4x		4x		4x		4x		4x		1x
G	6MM	H	M4x20	I							
	1x		4x		2x						

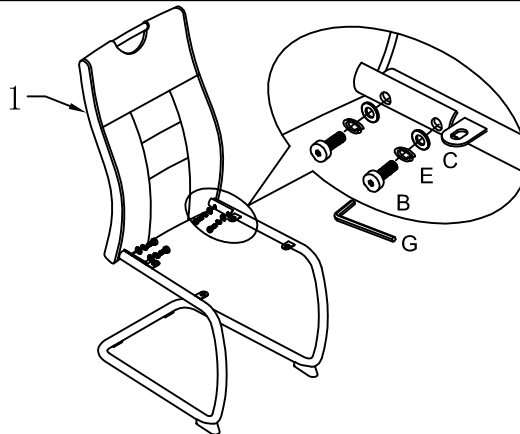
I.

1



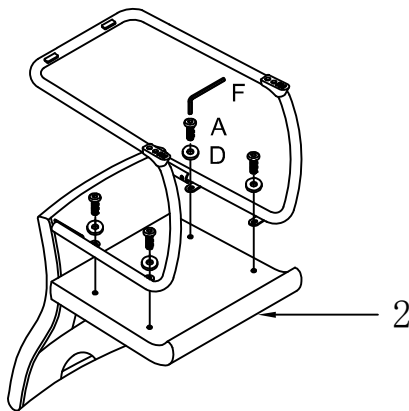
- H** M4x20  
4x
- I** 2x
- 

2



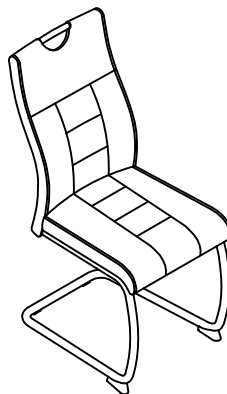
- B** M8x20  
4x
- C** Ø18xØ8x1.5  
4x
- E** M8  
4x
- D** Ø18xØ6x1.5  
4x
- G** 6MM  
1x
- 

3



- A** M6x20  
4x
- D** Ø18xØ6x1.5  
4x
- F** 4MM  
1x
- 

4



- F** 4MM  
1x
- G** 6MM  
1x
- 

