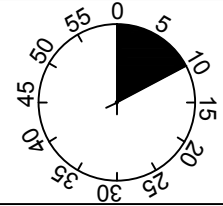
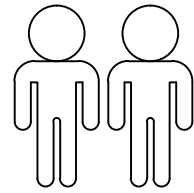
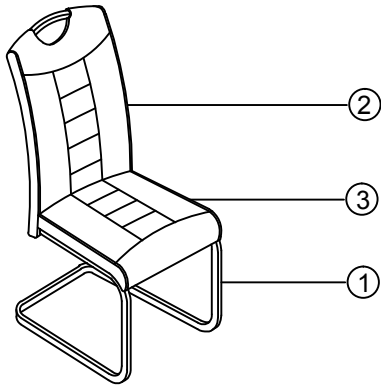
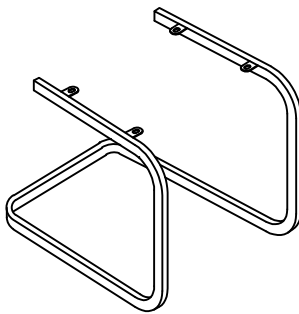


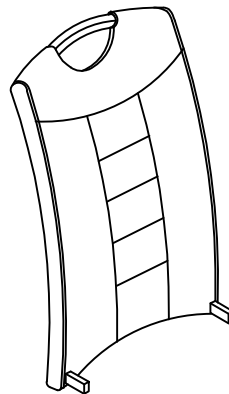
Ruby



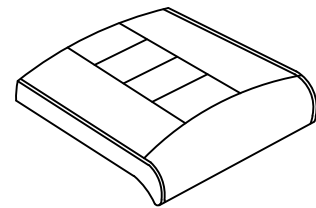
1



2



3



1	1x
2	1x
3	1x

A

M6X20



4x

B

M6X12



4x

C

Ø18xØ6x1.5



4x

D

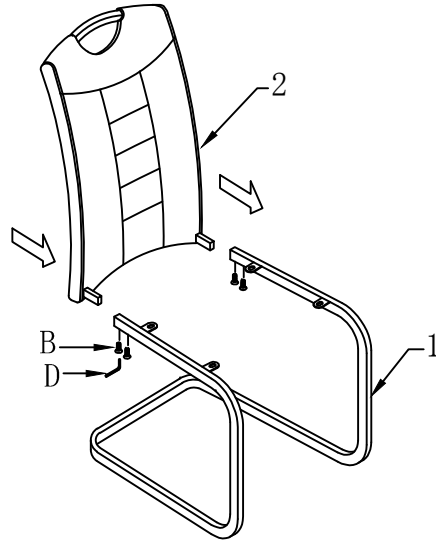
4MM



1x

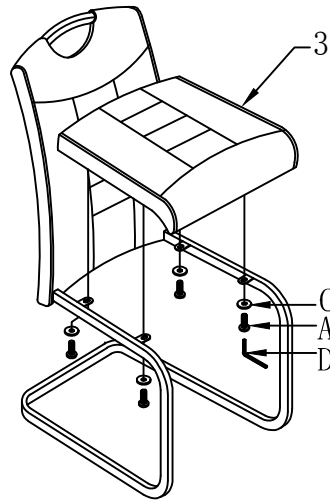
I.

1



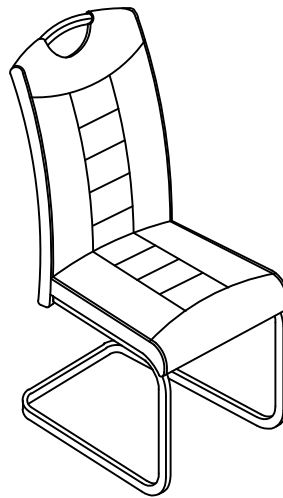
B	M6X12
	4x
D	4MM
	1x

2



A	M6X20
	4x
C	Ø18xØ6x1.5
	4x
D	4MM
	1x

3



D	4MM
	1x

