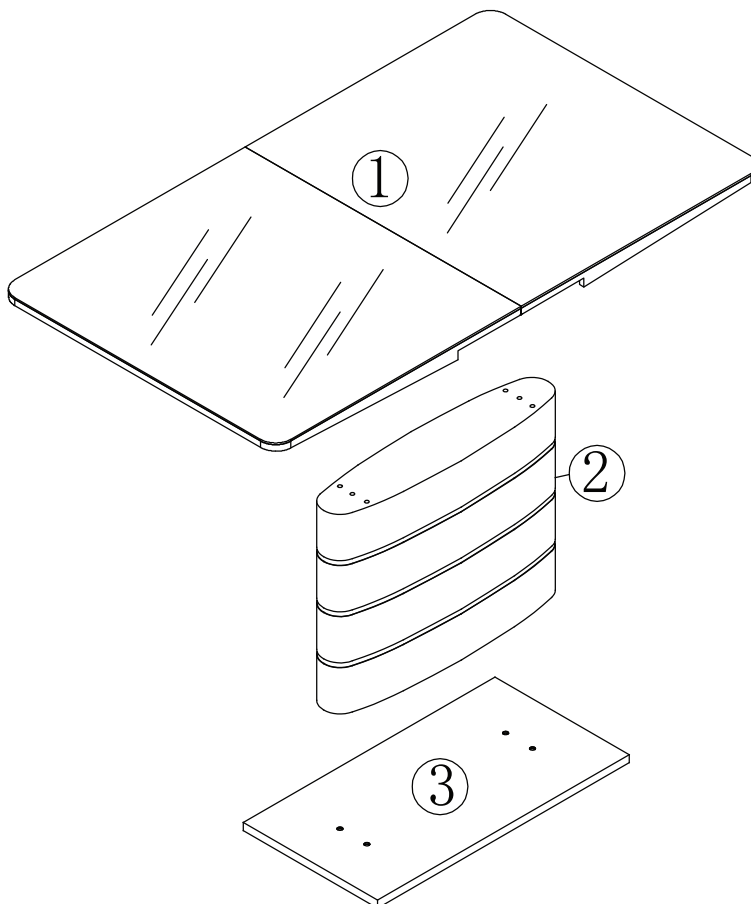
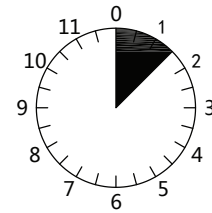
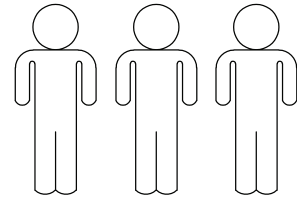
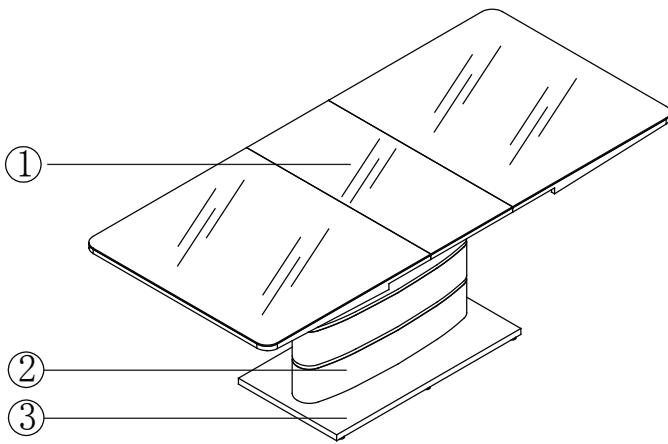


# Sandra



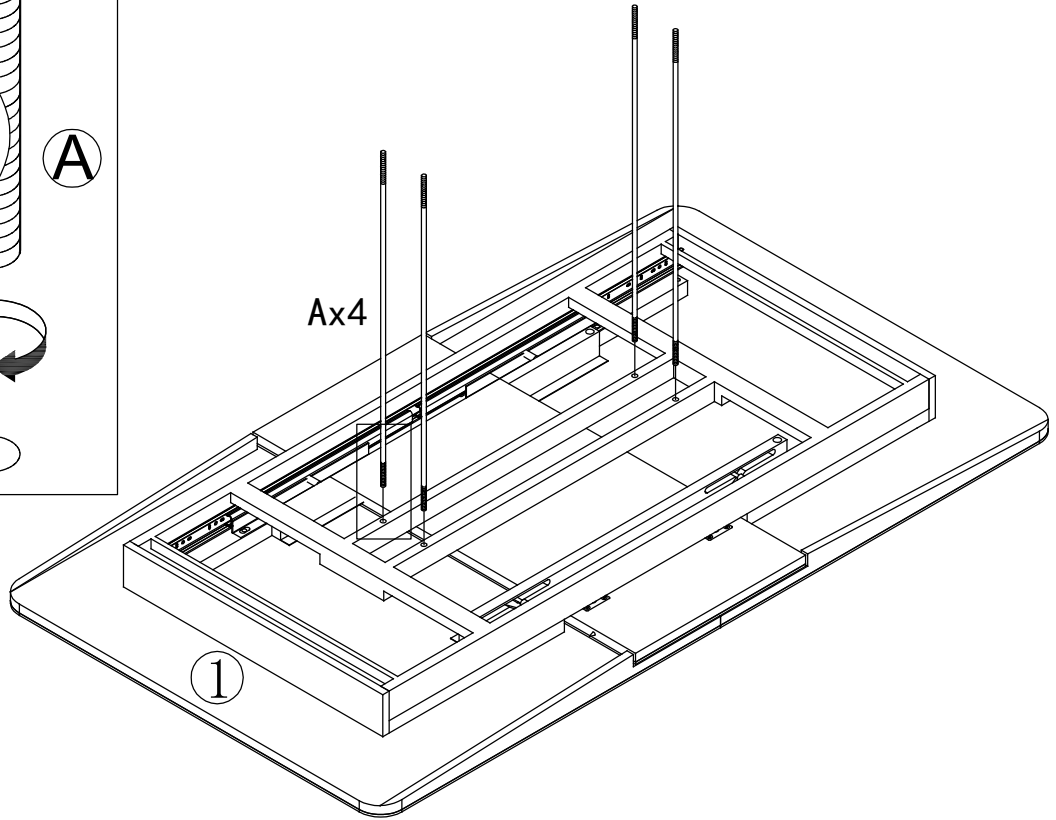
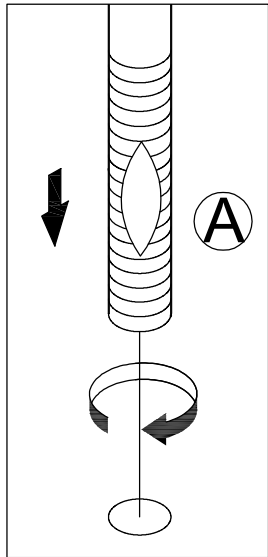
1	1x	1/3
2	1x	2/3
3	2x	3/3

<b>A</b>	<b>M8X680</b>	<b>B</b>	<b>M8</b>	<b>C</b>	<b>ø 20x ø 8.5x2</b>	<b>D</b>	<b>M6xø25x10</b>	<b>E</b>	<b>M8</b>
	<b>4x</b>		<b>4x</b>		<b>4x</b>		<b>6x</b>		<b>1x</b>

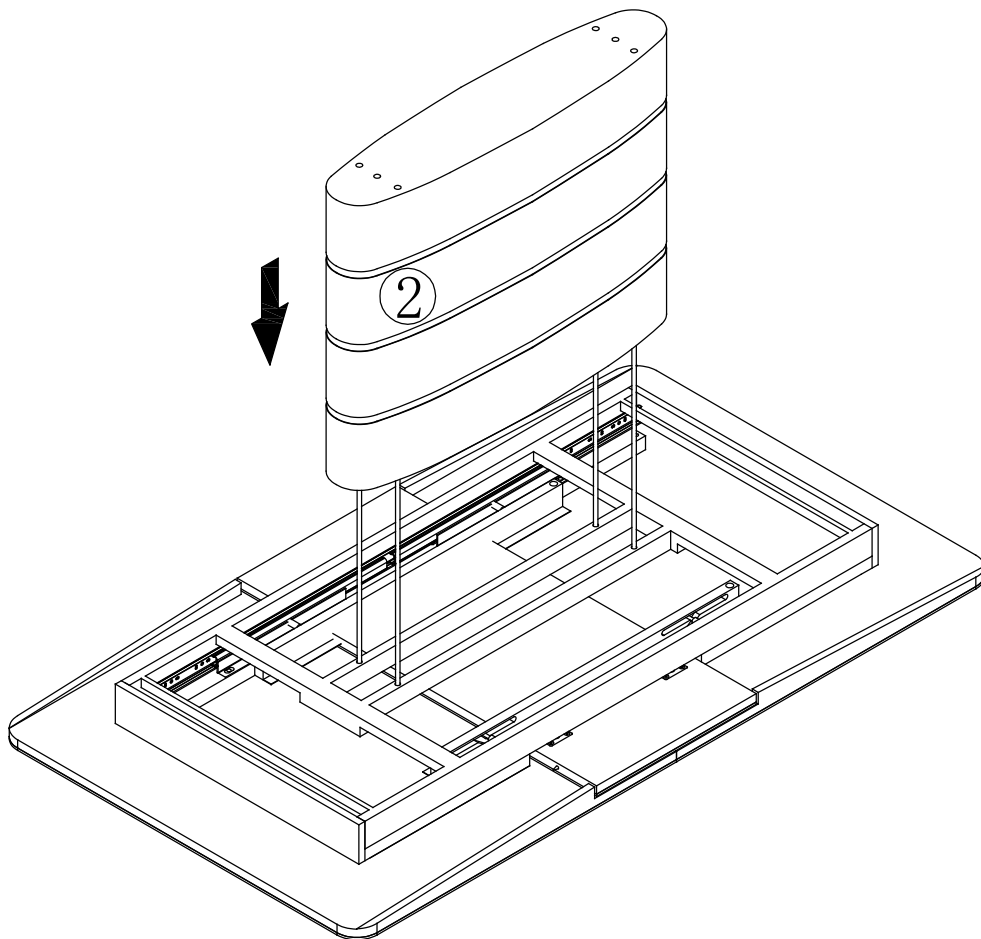
I.

1

A M8X680 4x

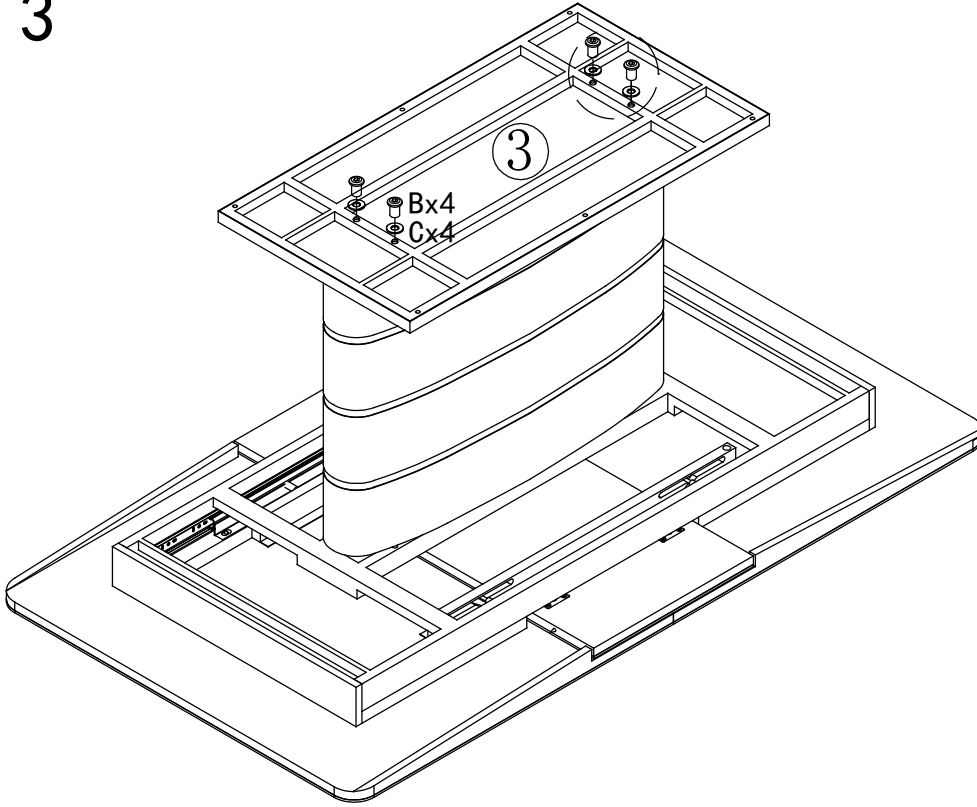




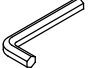
2

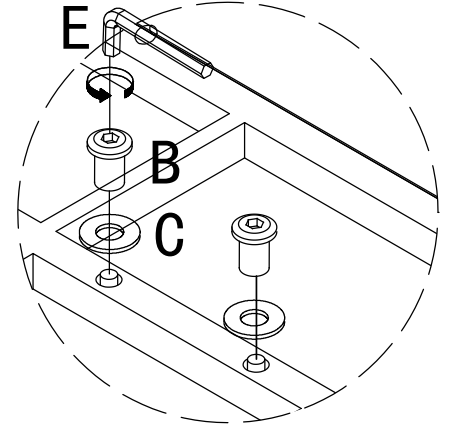


II.

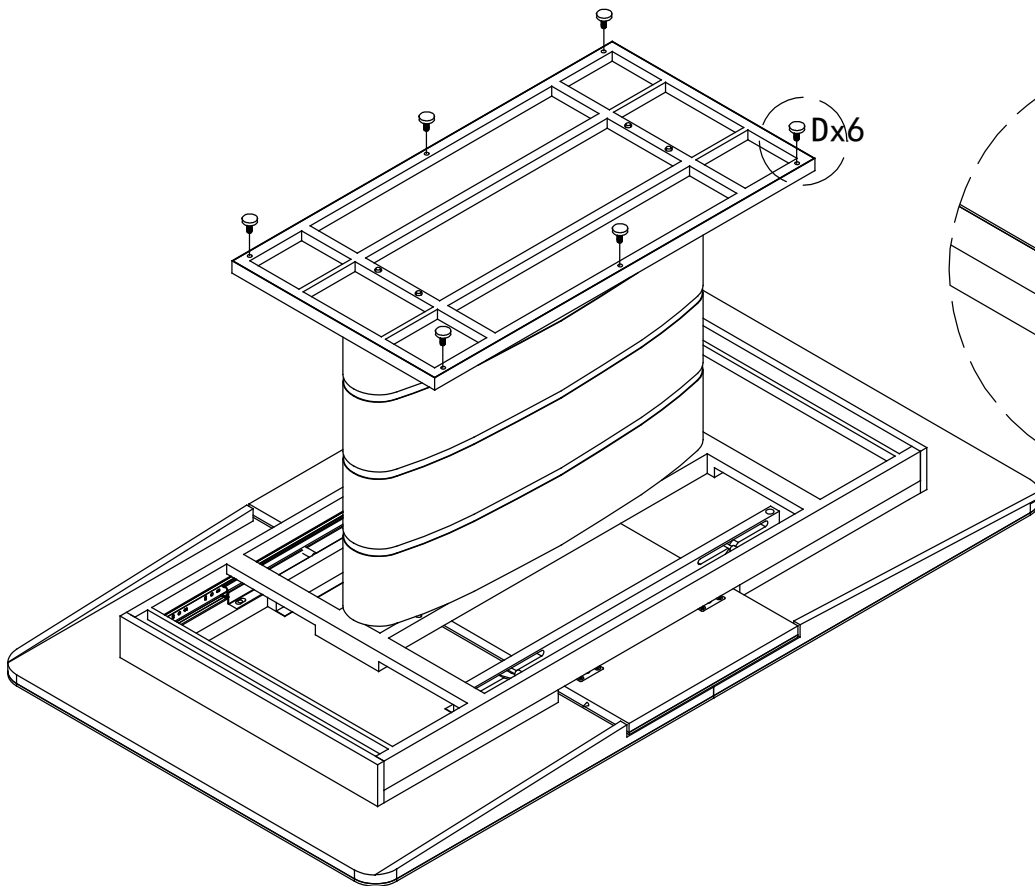
3




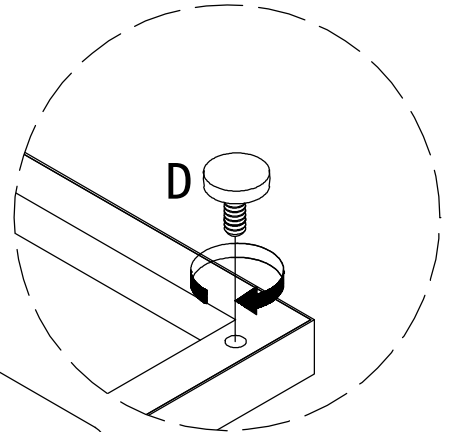
B		M8 4x
C		∅ 20x∅ 8.5x2 4x
E		M8 1x



4

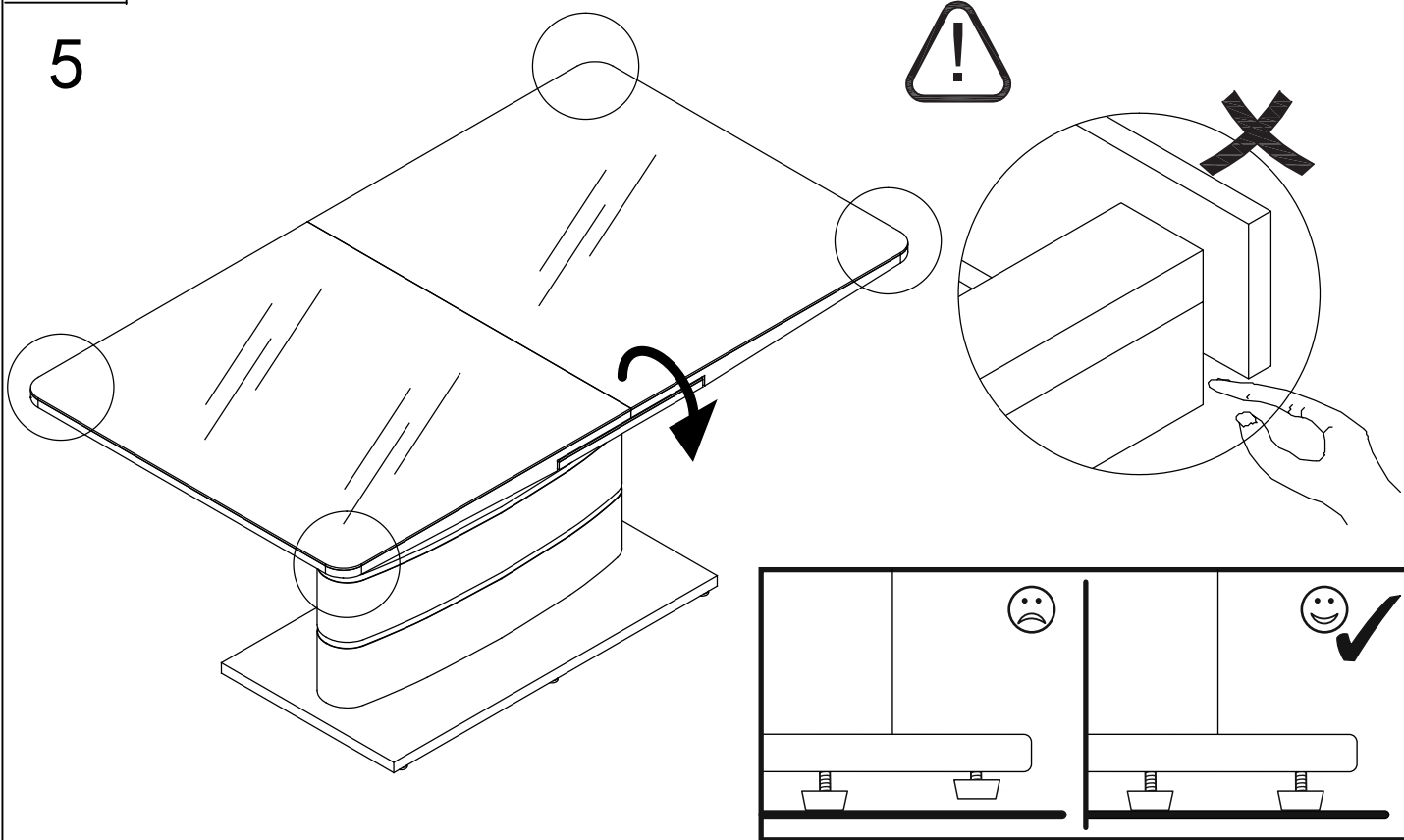


D		M6x∅25x10 6x
---	---	-----------------

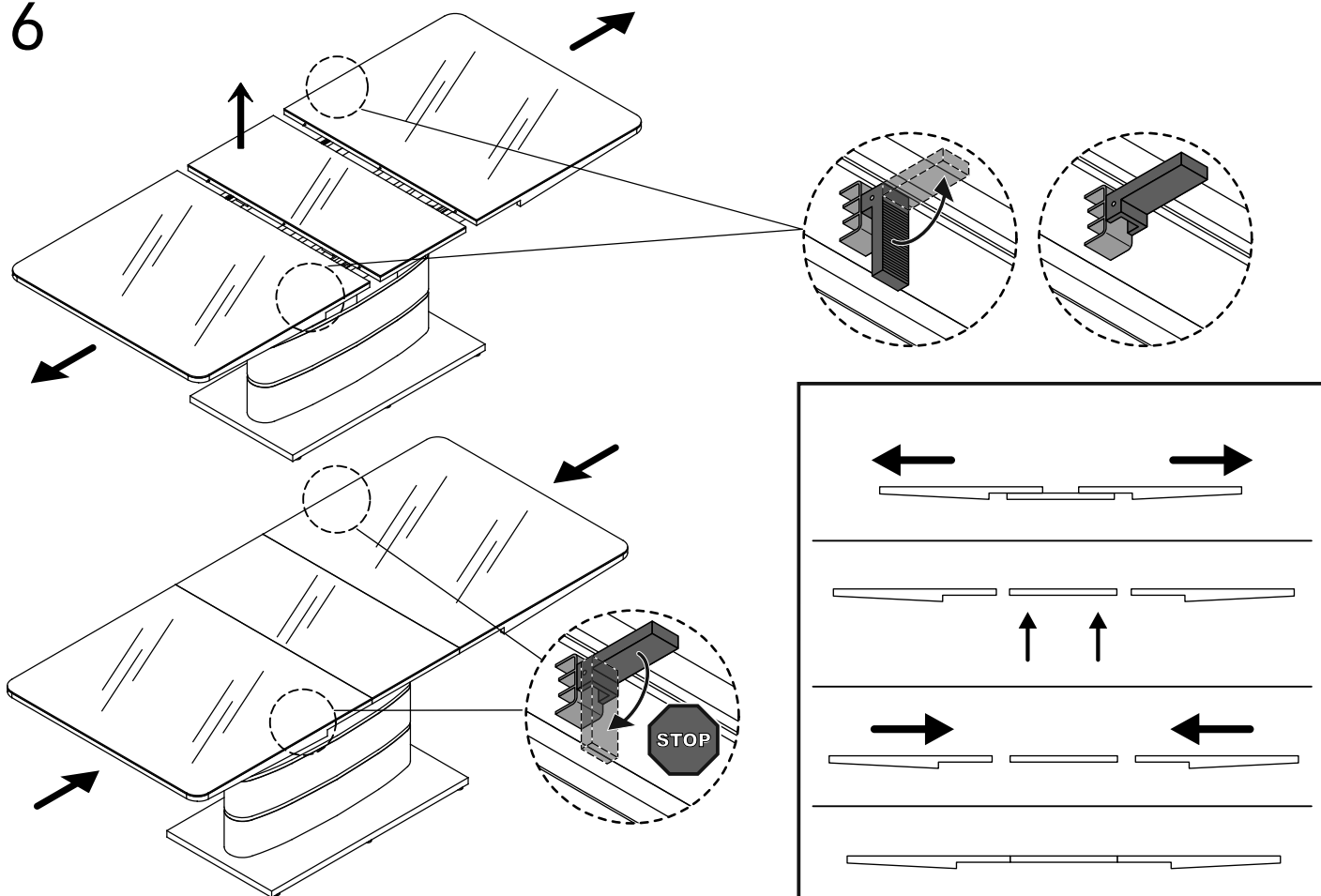


III.

5

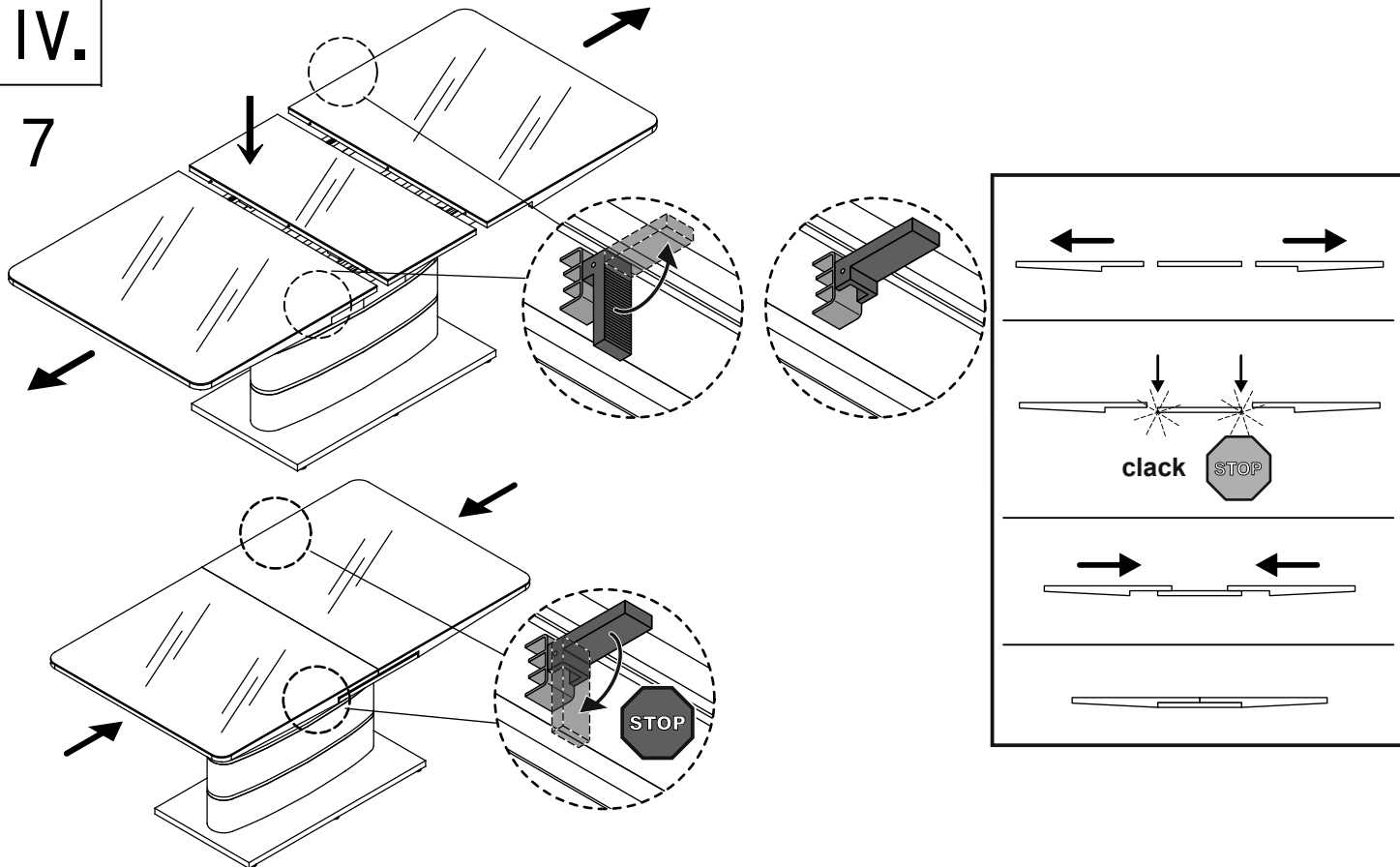


6

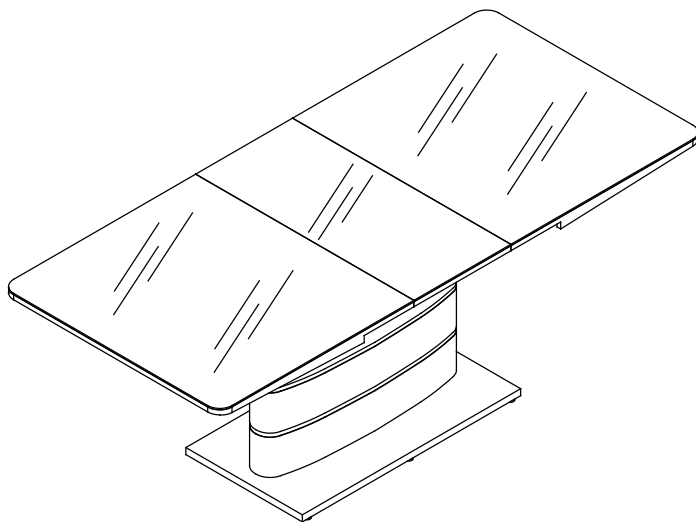


IV.

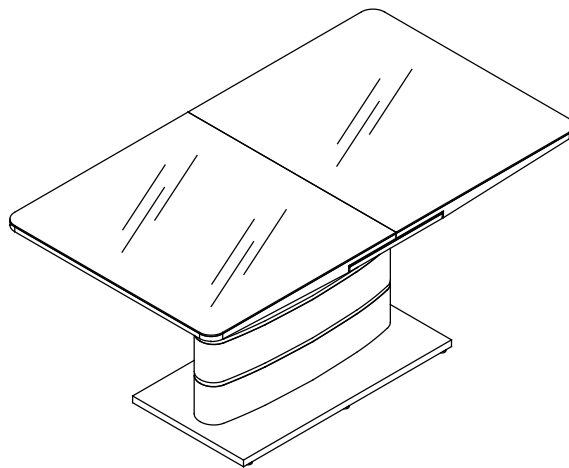
7



8



200 x 90 cm



160 x 90 cm

