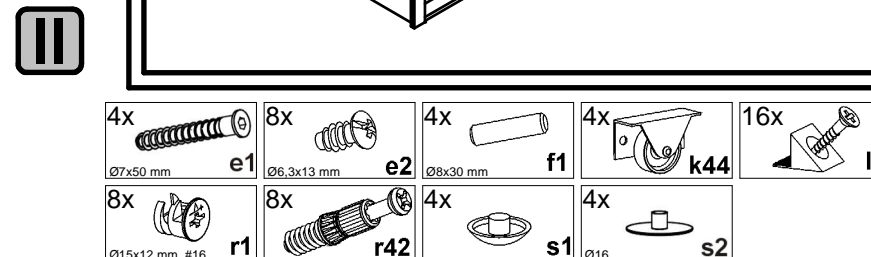
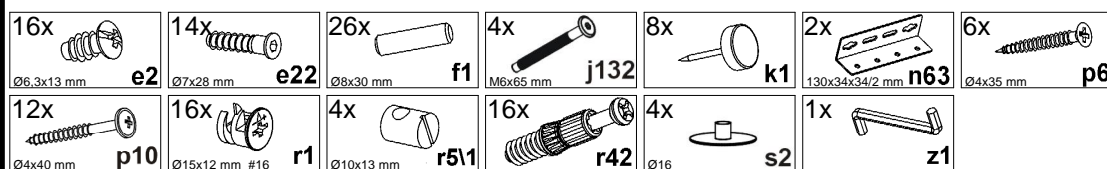
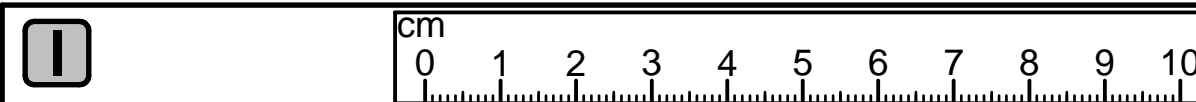
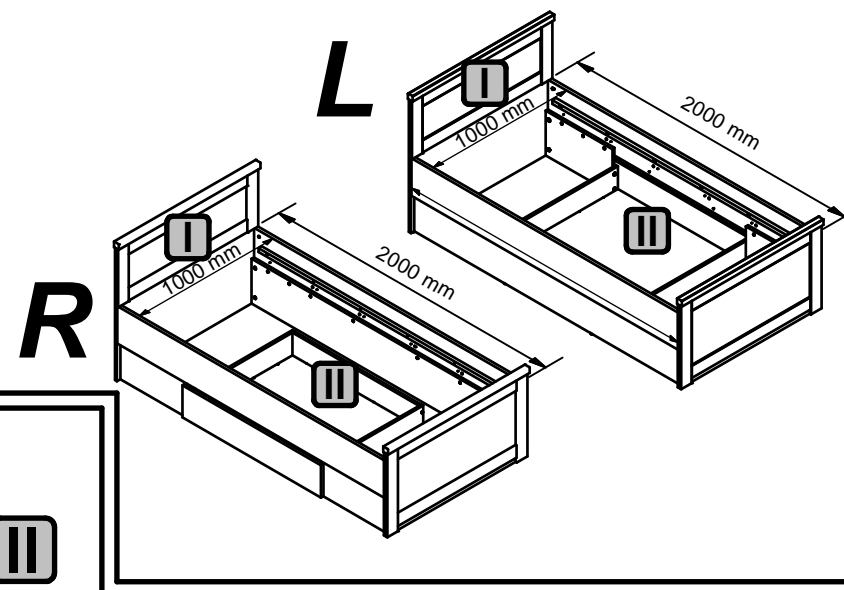
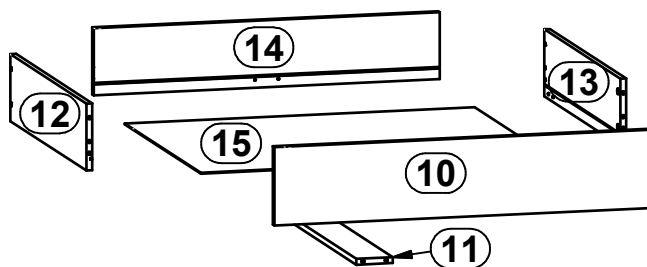
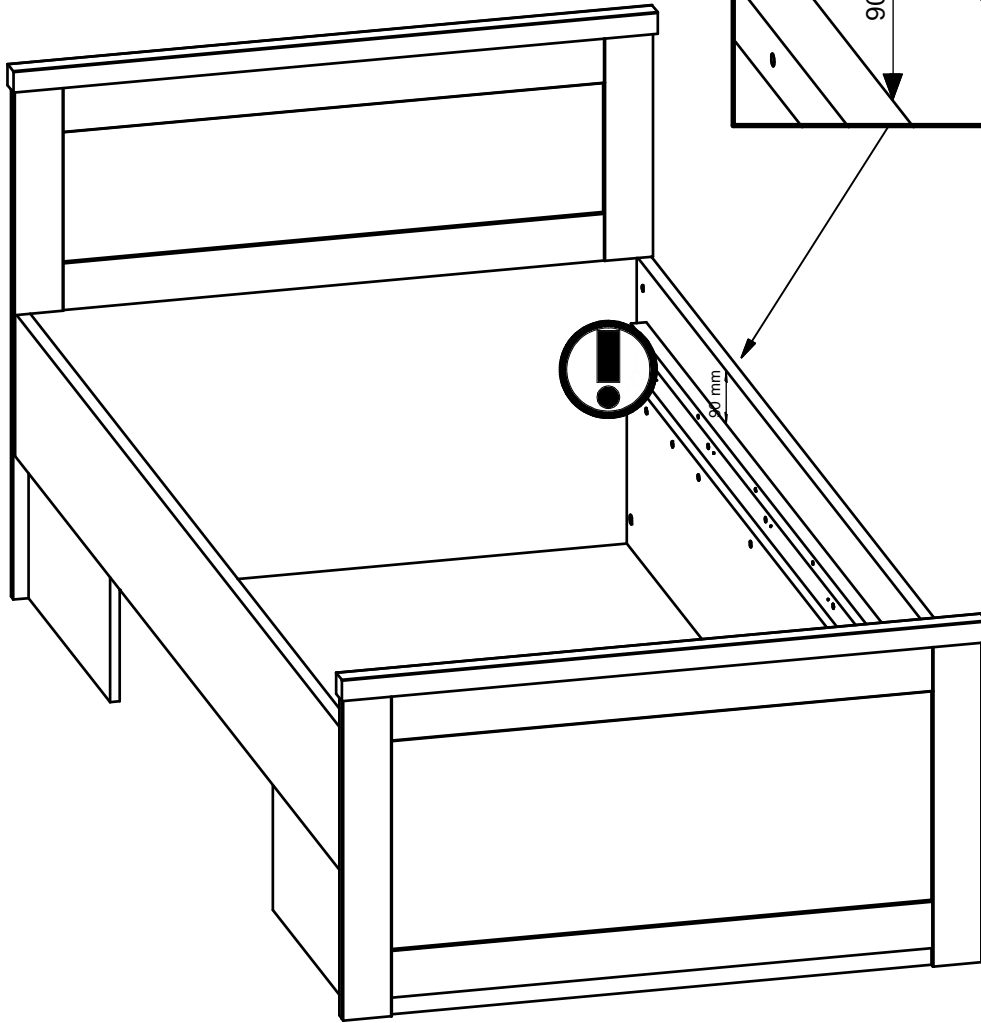
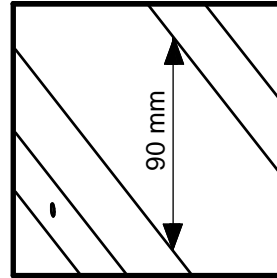


| A | B | C (mm) | | D |
|---|----------|--------|-----|-----|
| 1 | L30-035 | 1050 | 864 | 1/2 |
| 2 | L30-036 | 1050 | 544 | 1/2 |
| 3 | L30-402 | 500 | 290 | 2/2 |
| 4 | L30-403 | 500 | 290 | 2/2 |
| 5 | L30-589 | 1060 | 36 | 2/2 |
| 6 | S328-122 | 2000 | 242 | 2/2 |
| 7 | S328-123 | 2000 | 242 | 2/2 |
| 8 | S328-407 | 2000 | 290 | 2/2 |
| 9 | ZZ1-747 | 1880 | 25 | 2/2 |

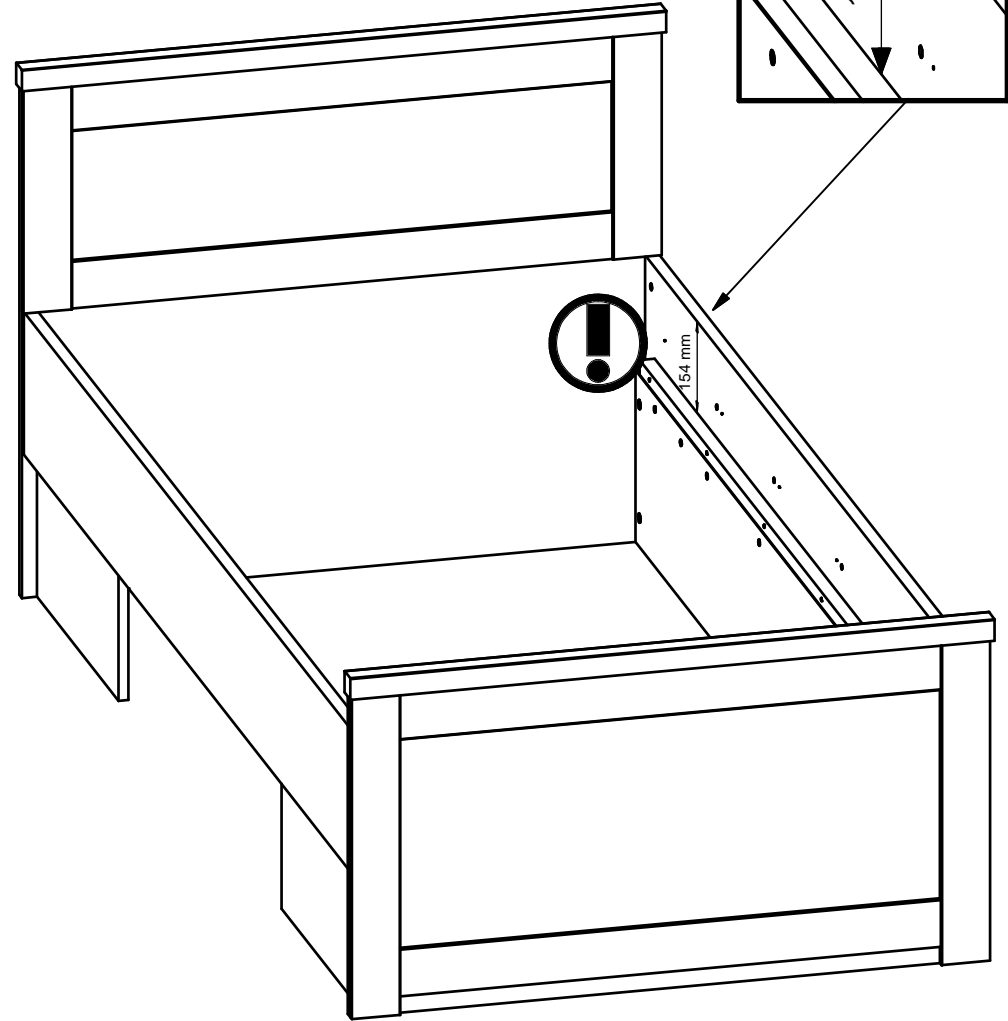
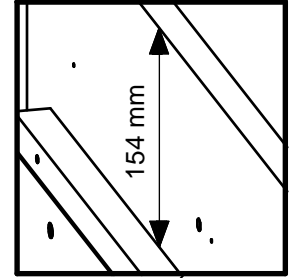
| A | B | C (mm) | | D |
|----|---------|--------|-----|-----|
| 10 | L30-008 | 1040 | 210 | 2/2 |
| 11 | L30-404 | 763 | 100 | 2/2 |
| 12 | L30-504 | 780 | 180 | 1/2 |
| 13 | L30-505 | 780 | 180 | 2/2 |
| 14 | L30-506 | 948 | 180 | 2/2 |
| 15 | L30-904 | 959 | 777 | 1/2 |



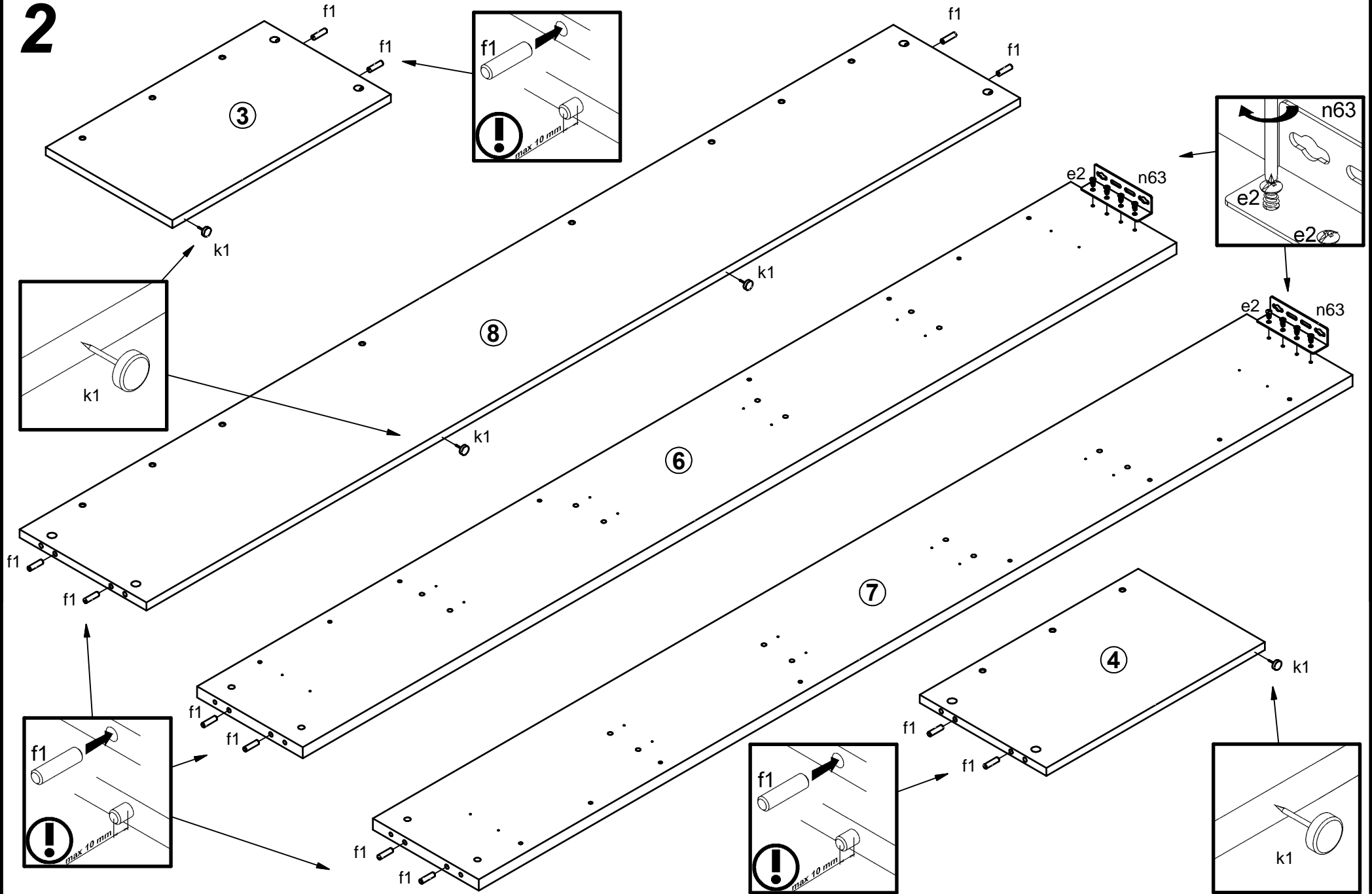
A



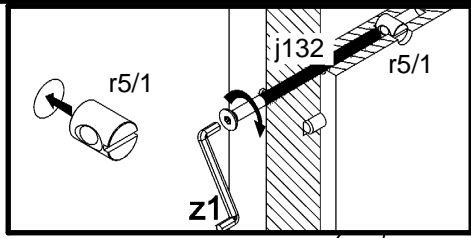
B



2

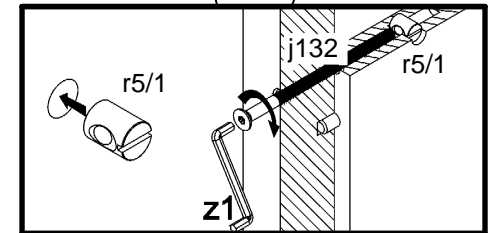
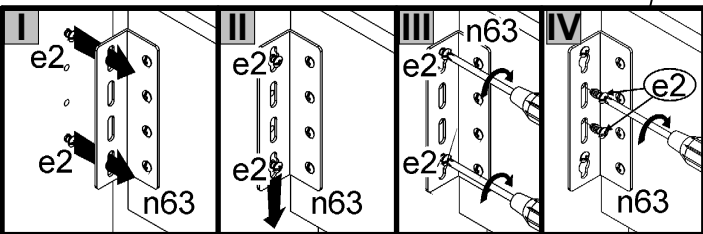
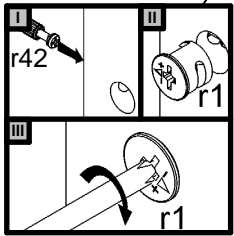
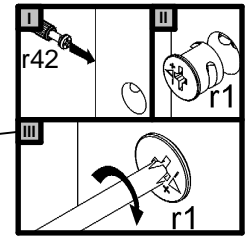
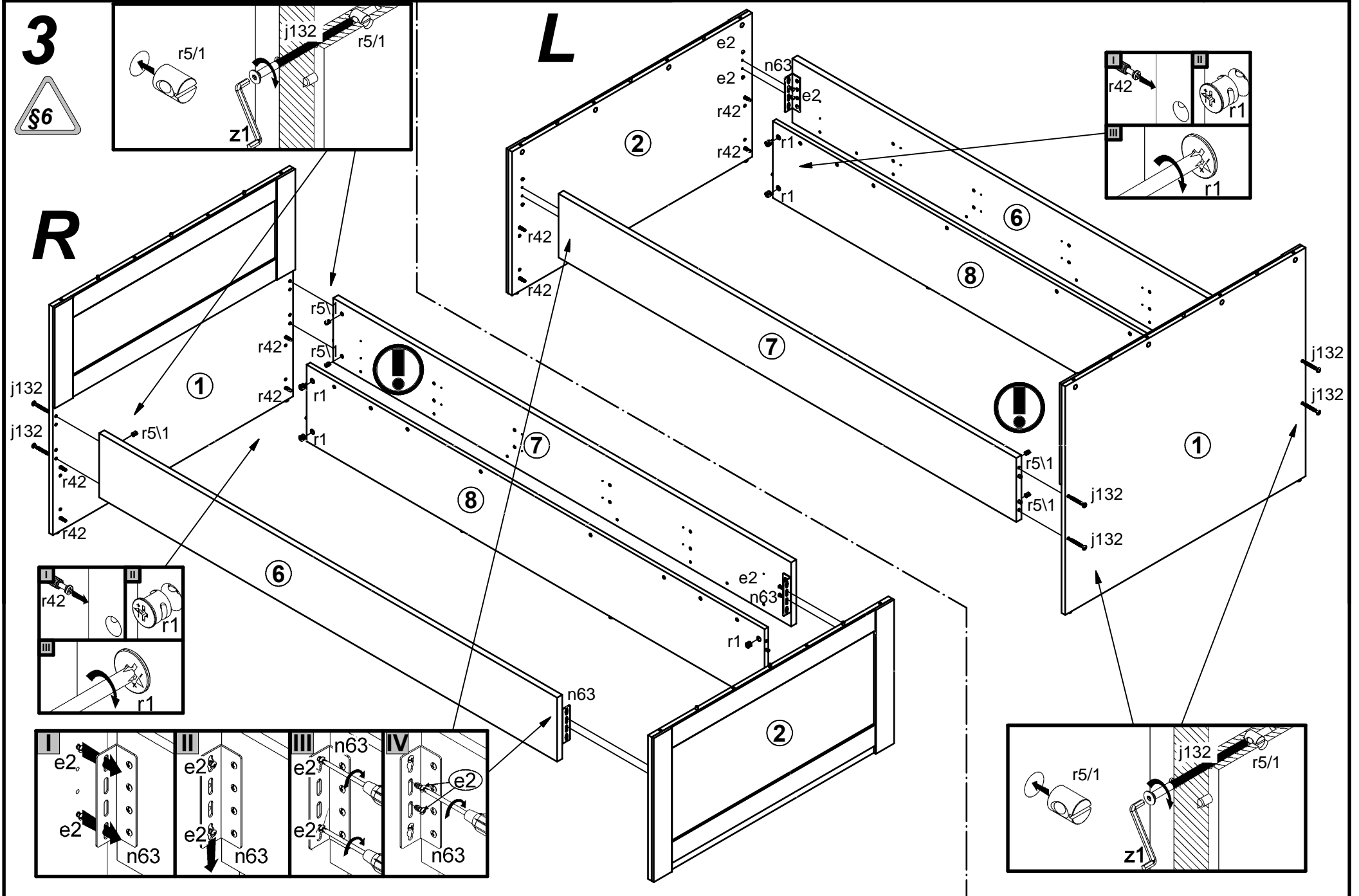


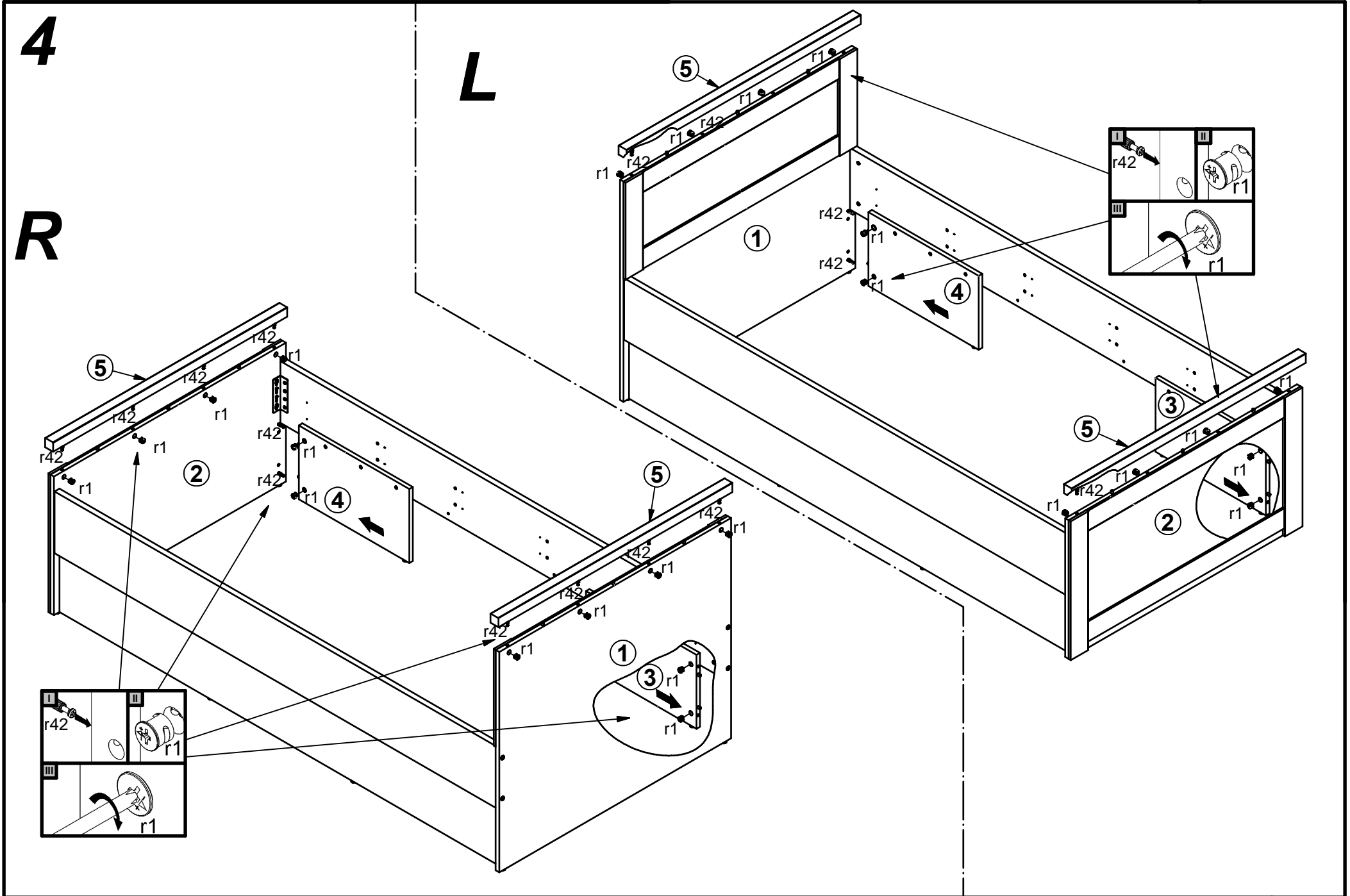
3



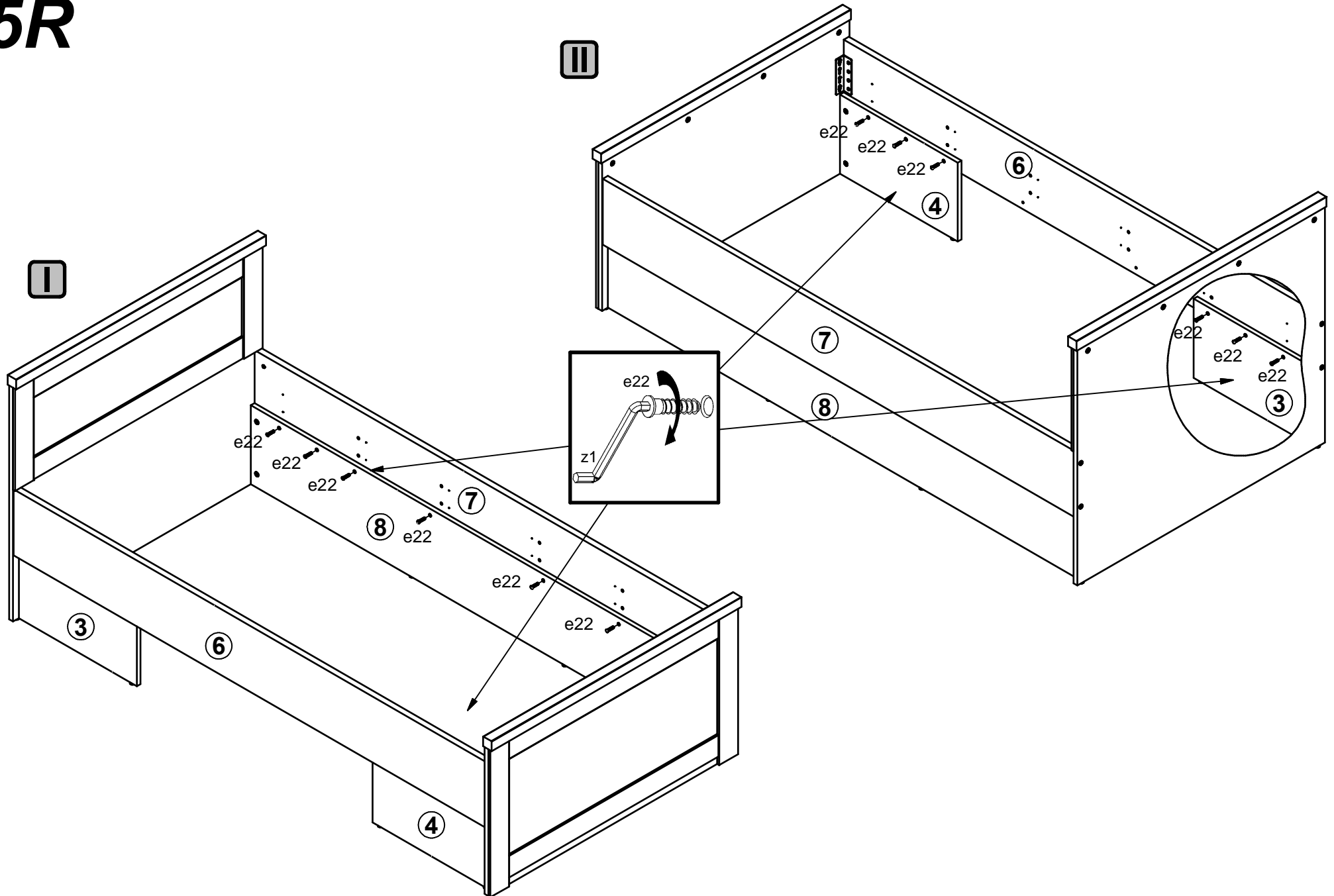
L

R

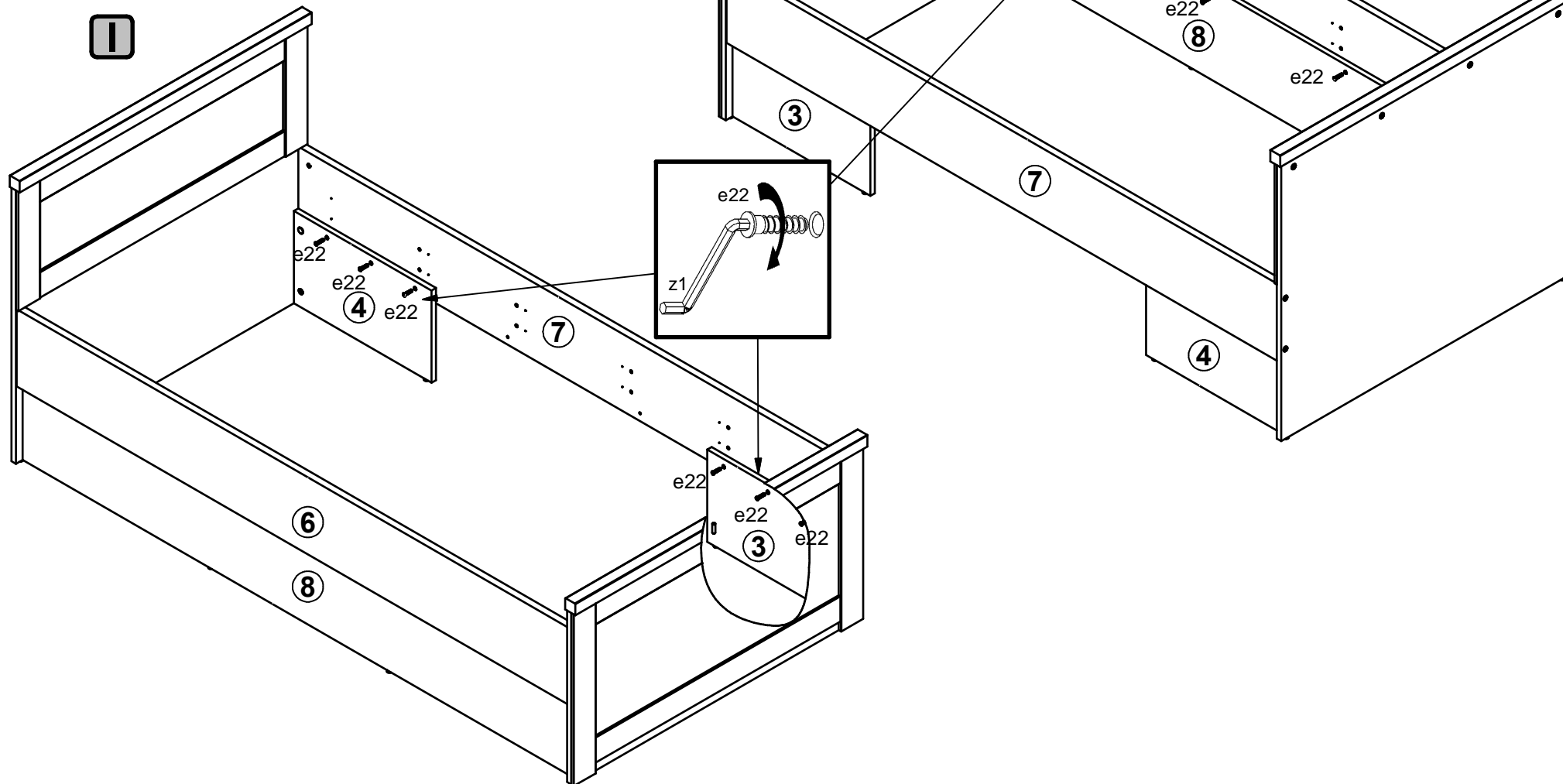




5R



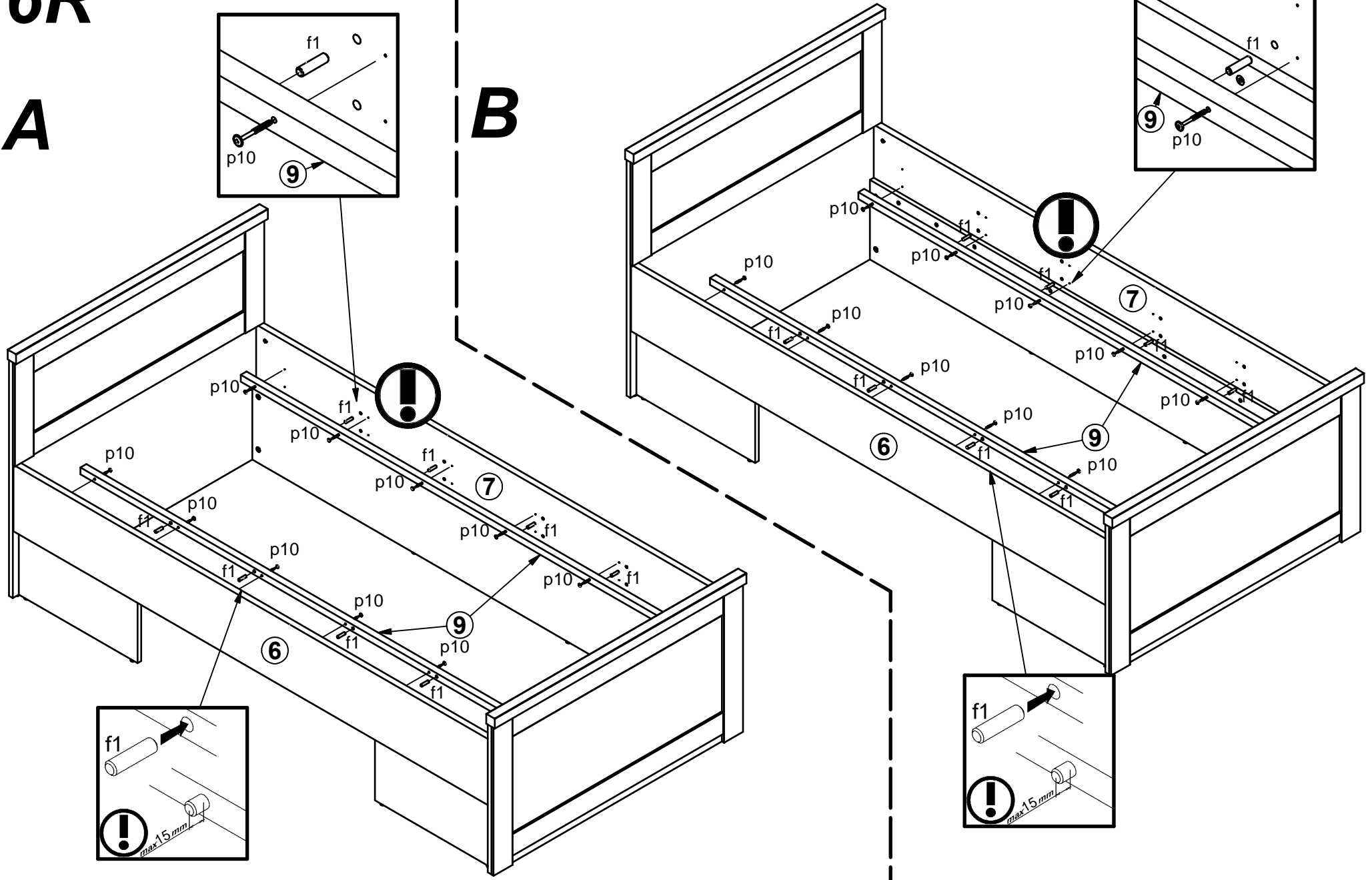
5L



6R

A

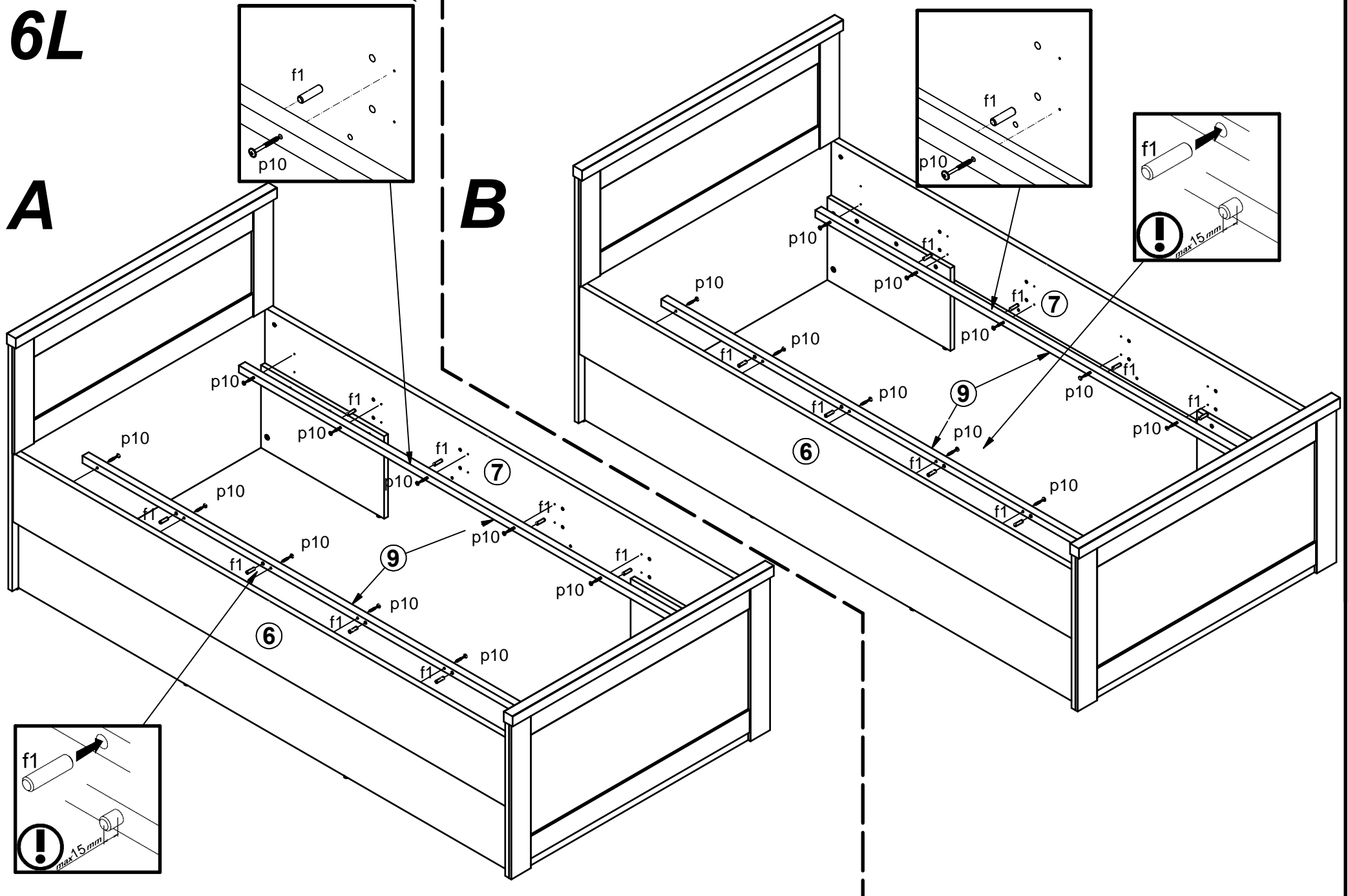
B



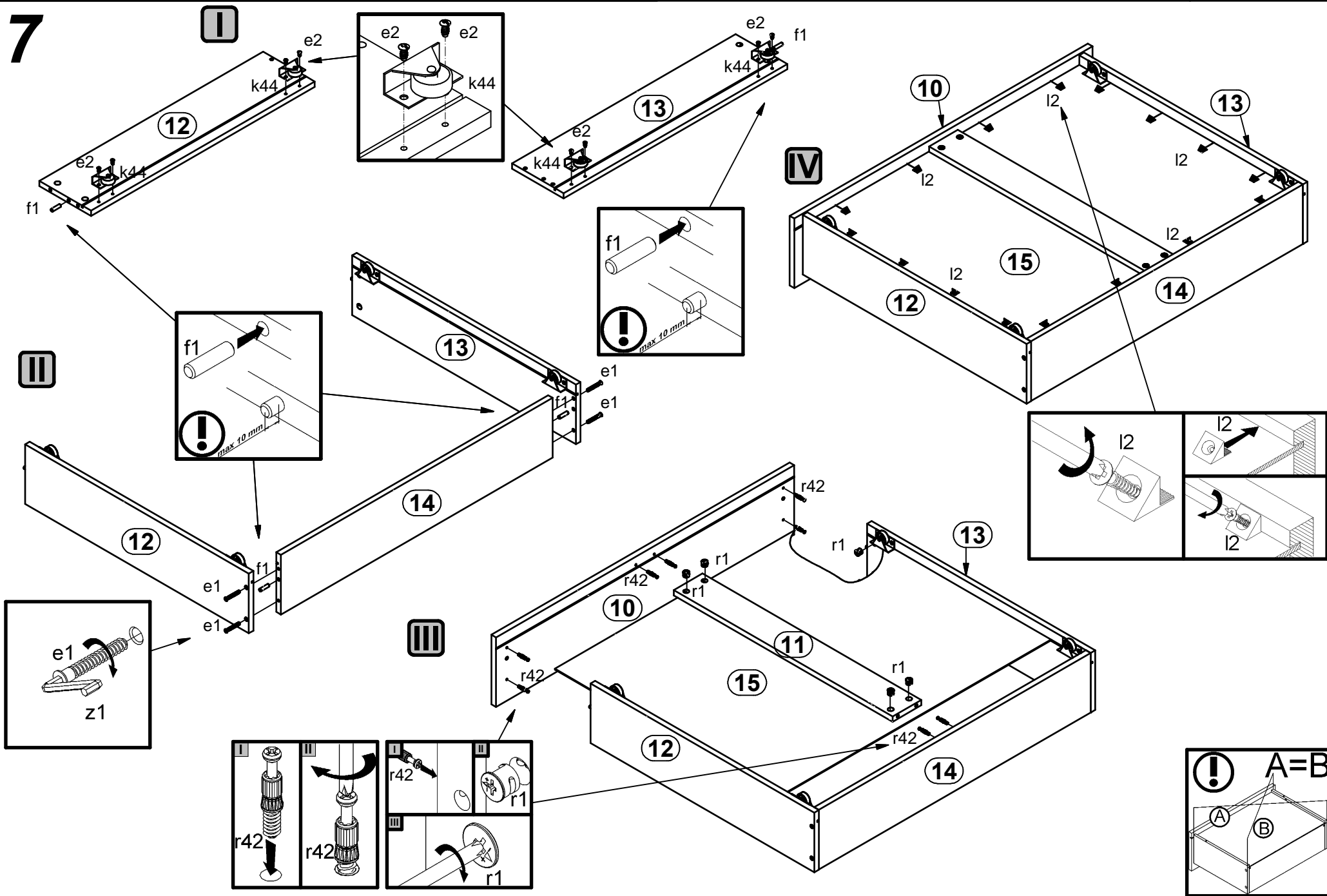
6L

A

B



7



8

R

L

