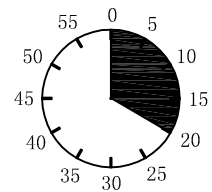
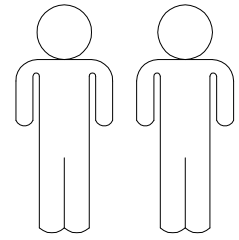
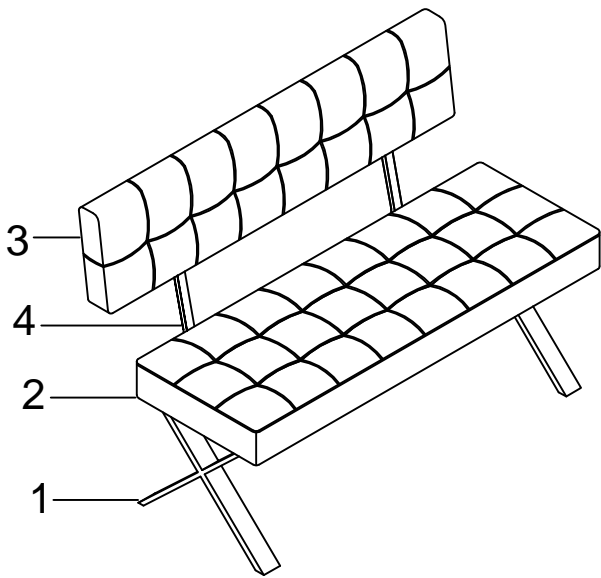


# Donna 1

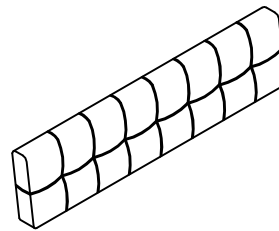
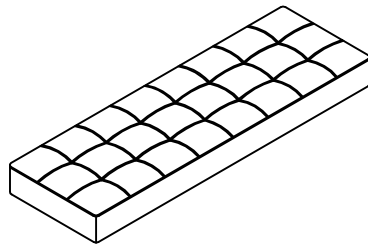
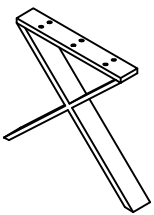


1

2

3

4



1	2X
2	1X
3	1X
4	2X

A

M8\*35



16X

B

M8\*15



4X

C

M8\*45



2X

D

Ø18\*Ø8\*1.5



22X

E

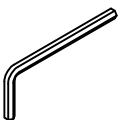
M8



22X

F

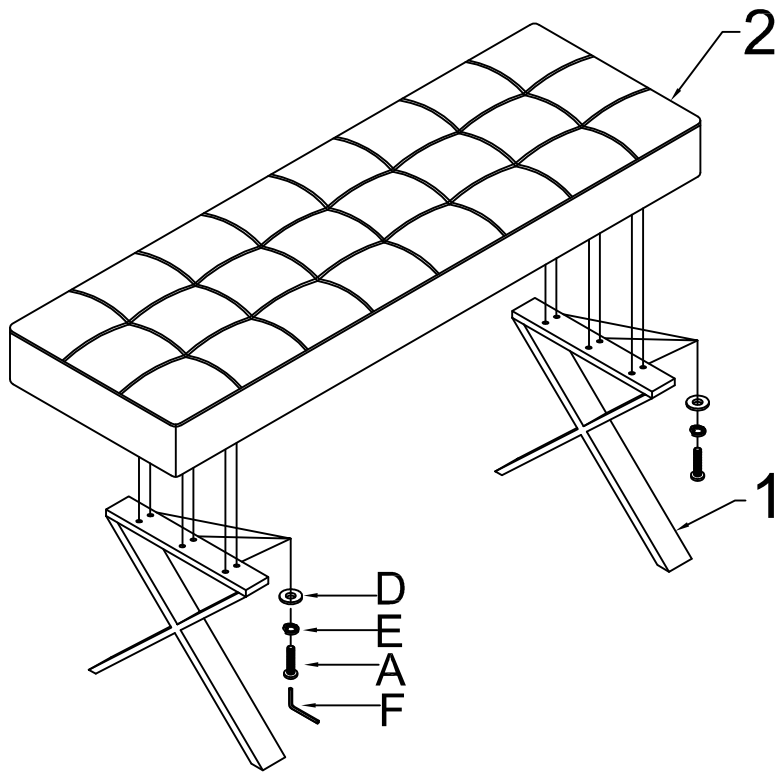
5mm



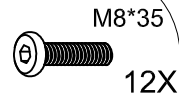
1X

I.

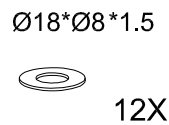
1.



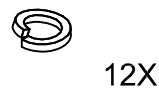
A



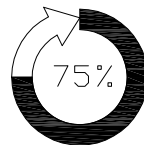
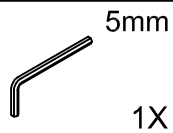
D



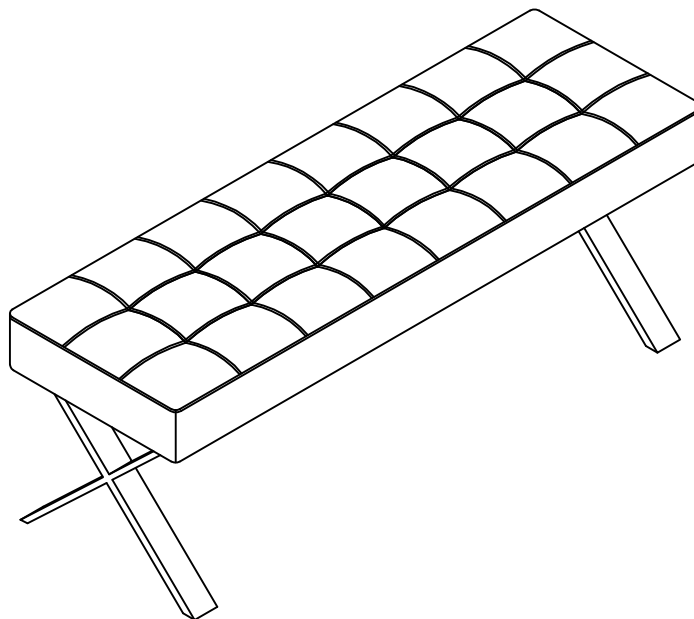
E



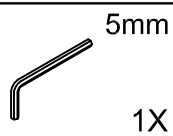
F



2.

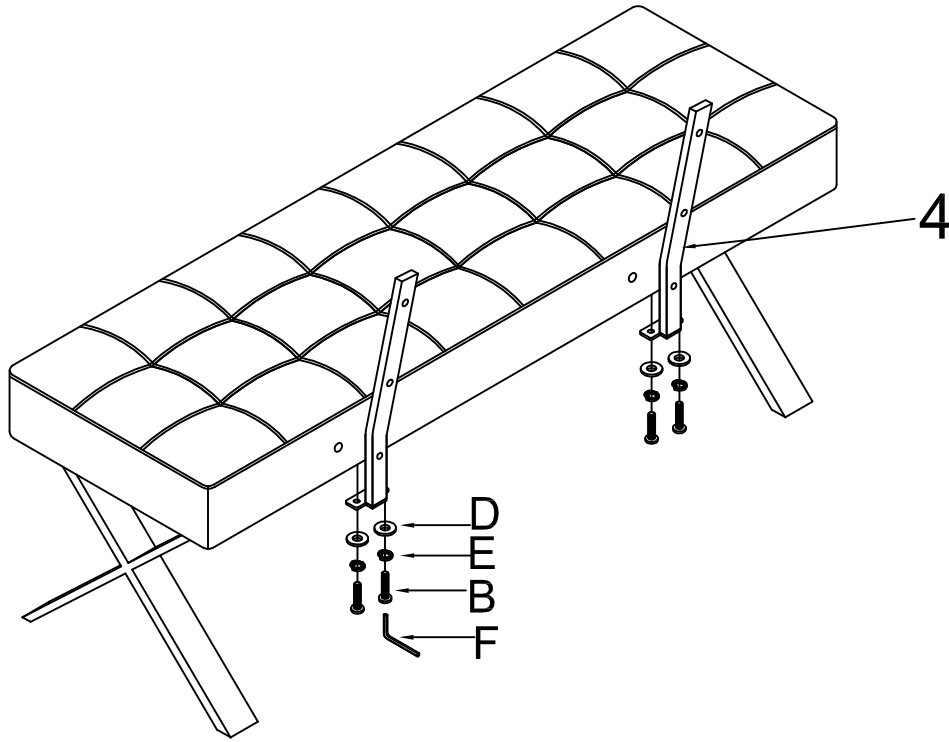


F



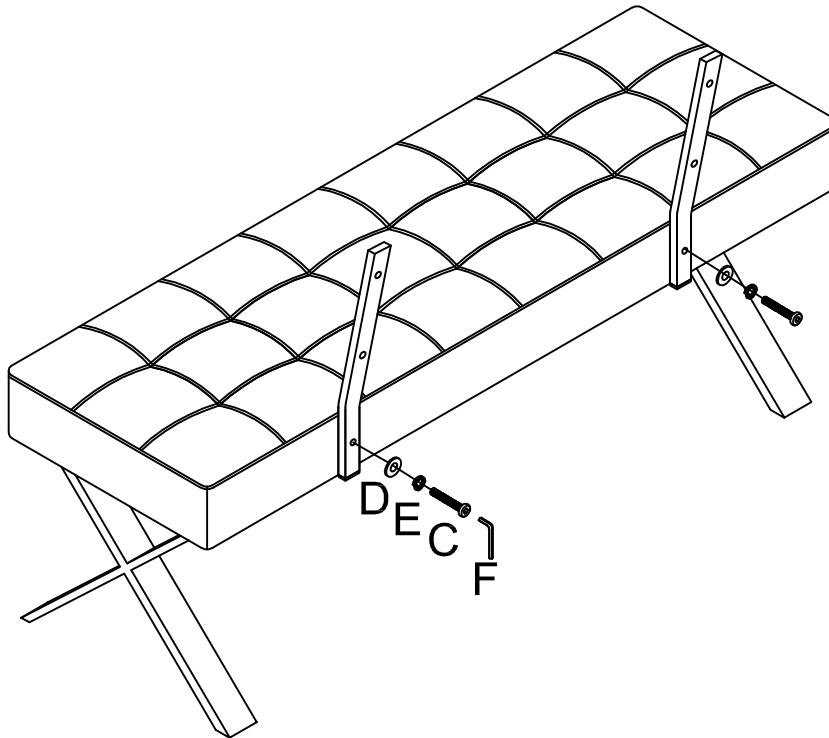
II.

3.



B	M8*15 4X
D	Ø18*Ø8*1.5 4X
E	M8 4X
F	5mm 1X

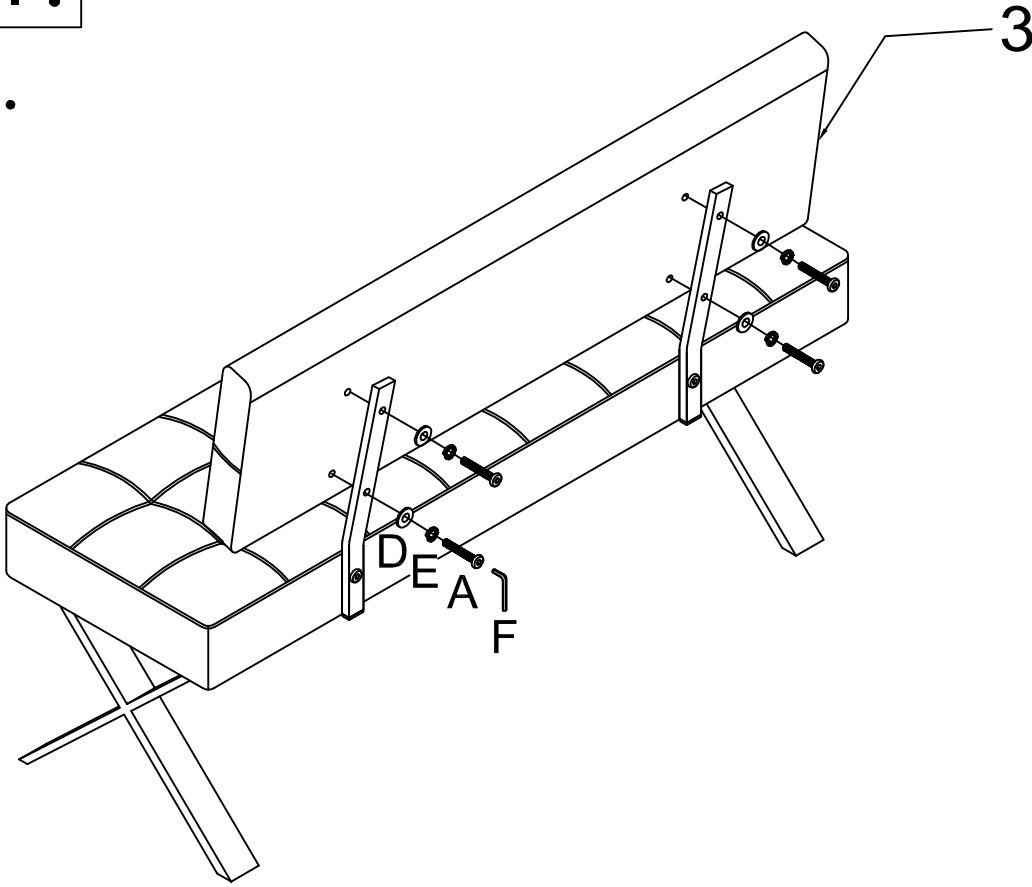
4.



C	M8*45 2X
D	Ø18*Ø8*1.5 2X
E	M8 2X
F	5mm 1X

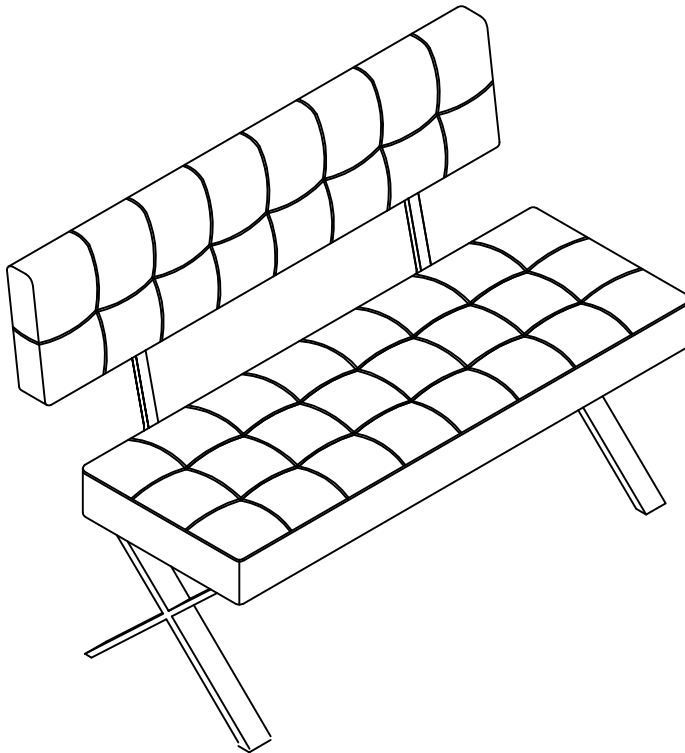
III.

5.



A	M8*35 4X
D	Ø18*Ø8*1.5 4X
E	M8 4X
F	5mm 1X

6.



F	5mm 1X

