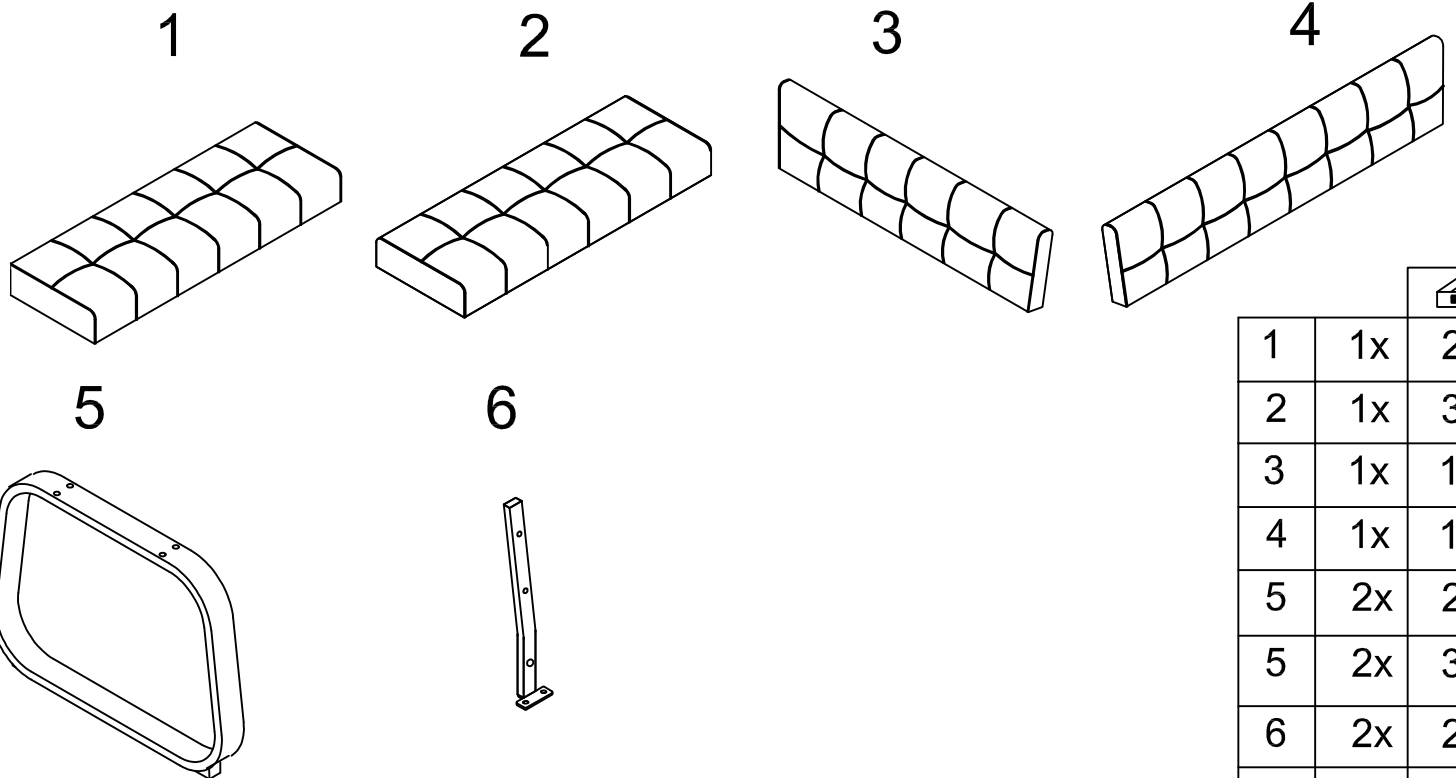
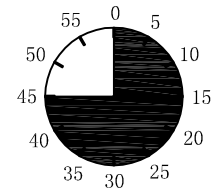
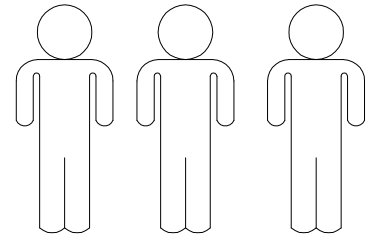
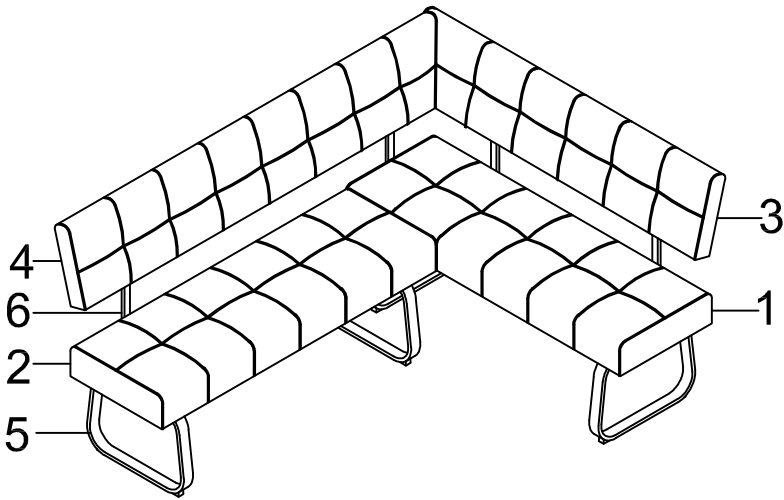





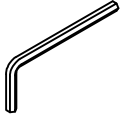
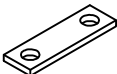


# Luise L

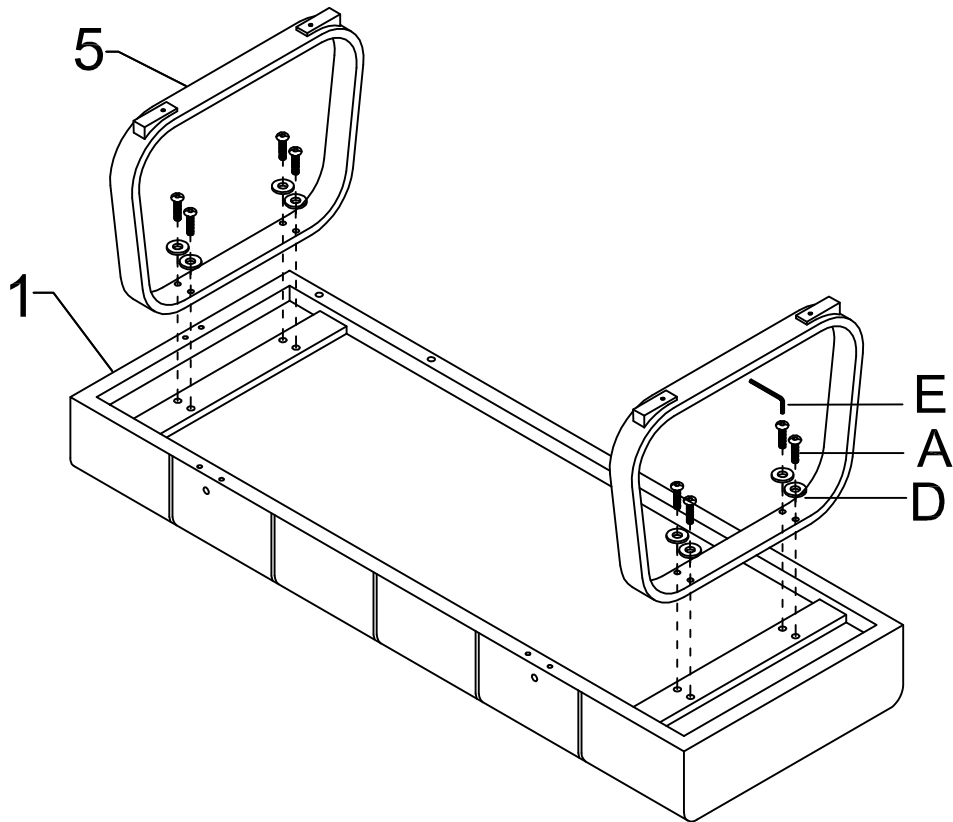


		
1	1x	2/3
2	1x	3/3
3	1x	1/3
4	1x	1/3
5	2x	2/3
5	2x	3/3
6	2x	2/3
6	2x	3/3

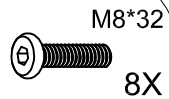
<b>A</b>	M8*32  24X	<b>B</b>	M8*18  12X	<b>C</b>	M8*40  4X	<b>D</b>	Ø18*Ø8*1.5  40X	<b>E</b>	5mm  1X
<b>F</b>	 2X								

I.

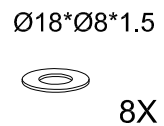
1.



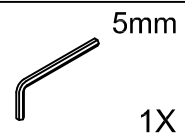
A



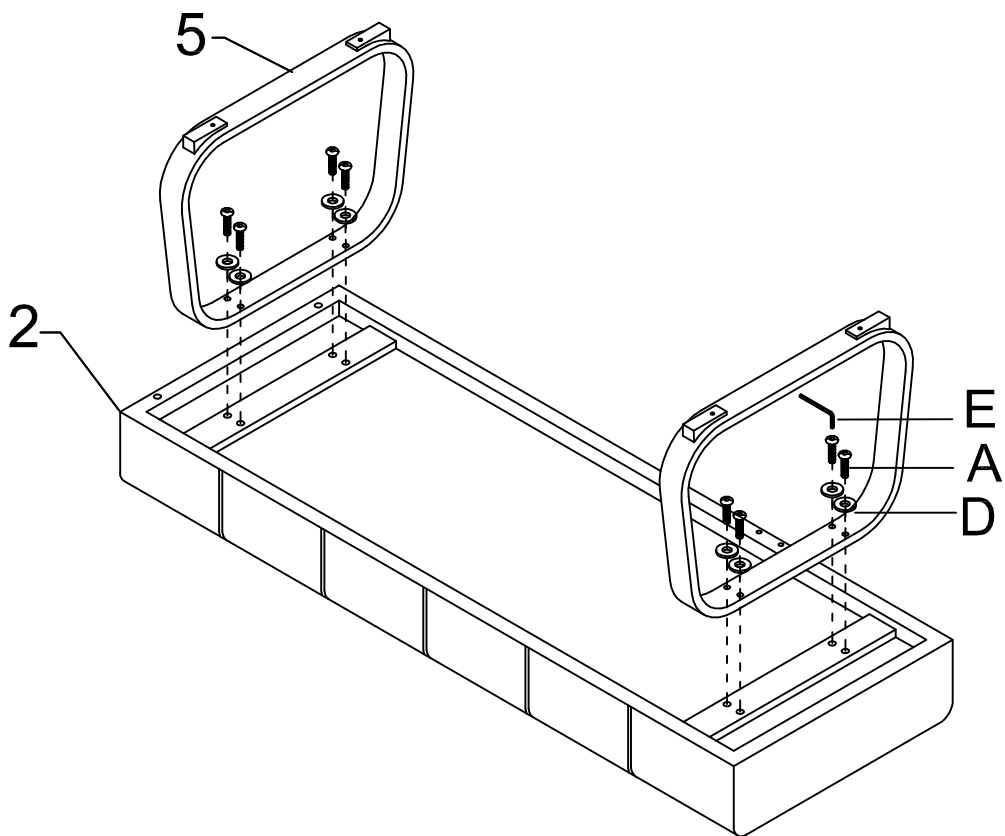
D



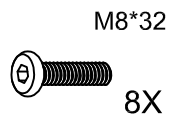
E



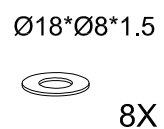
2.



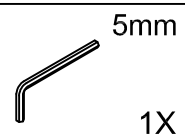
A



D

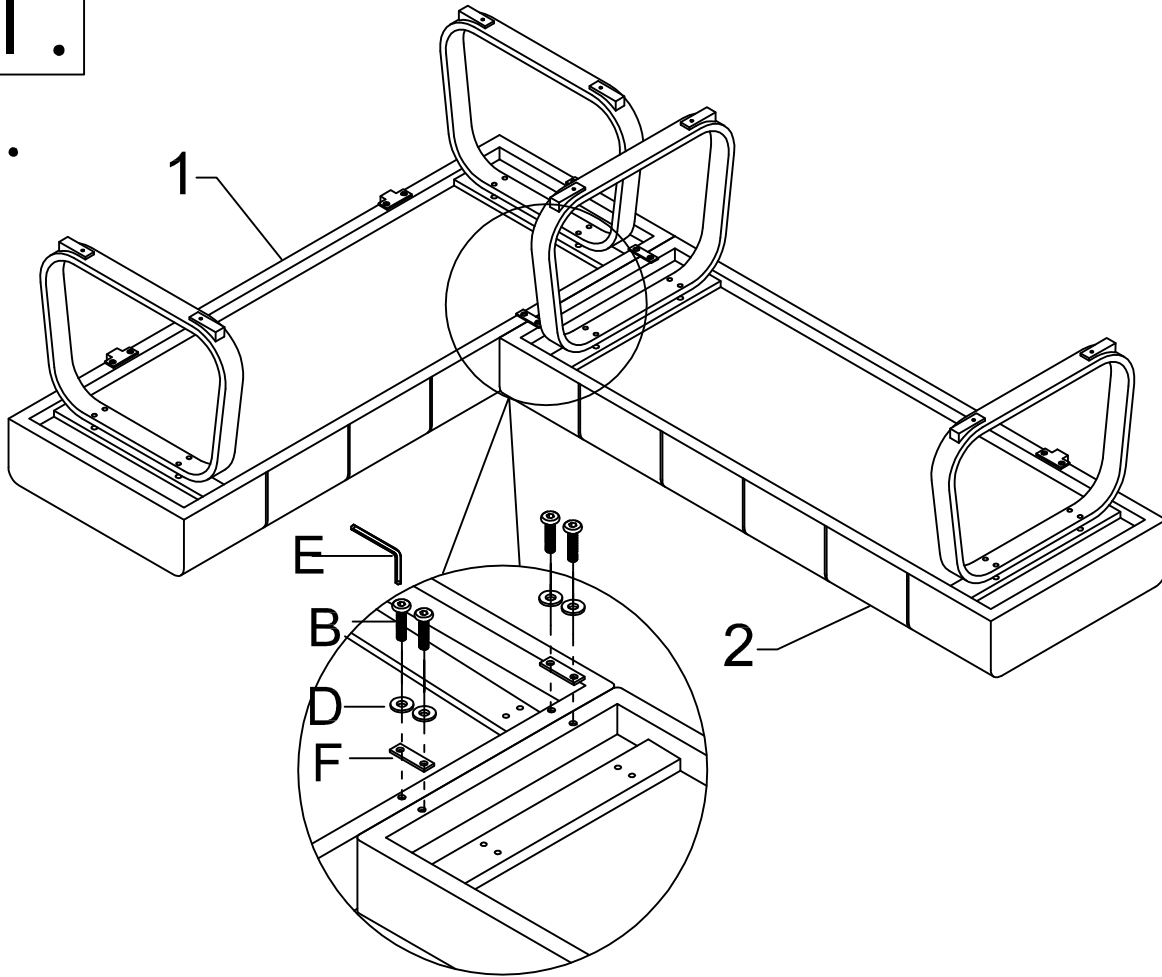





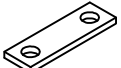

E



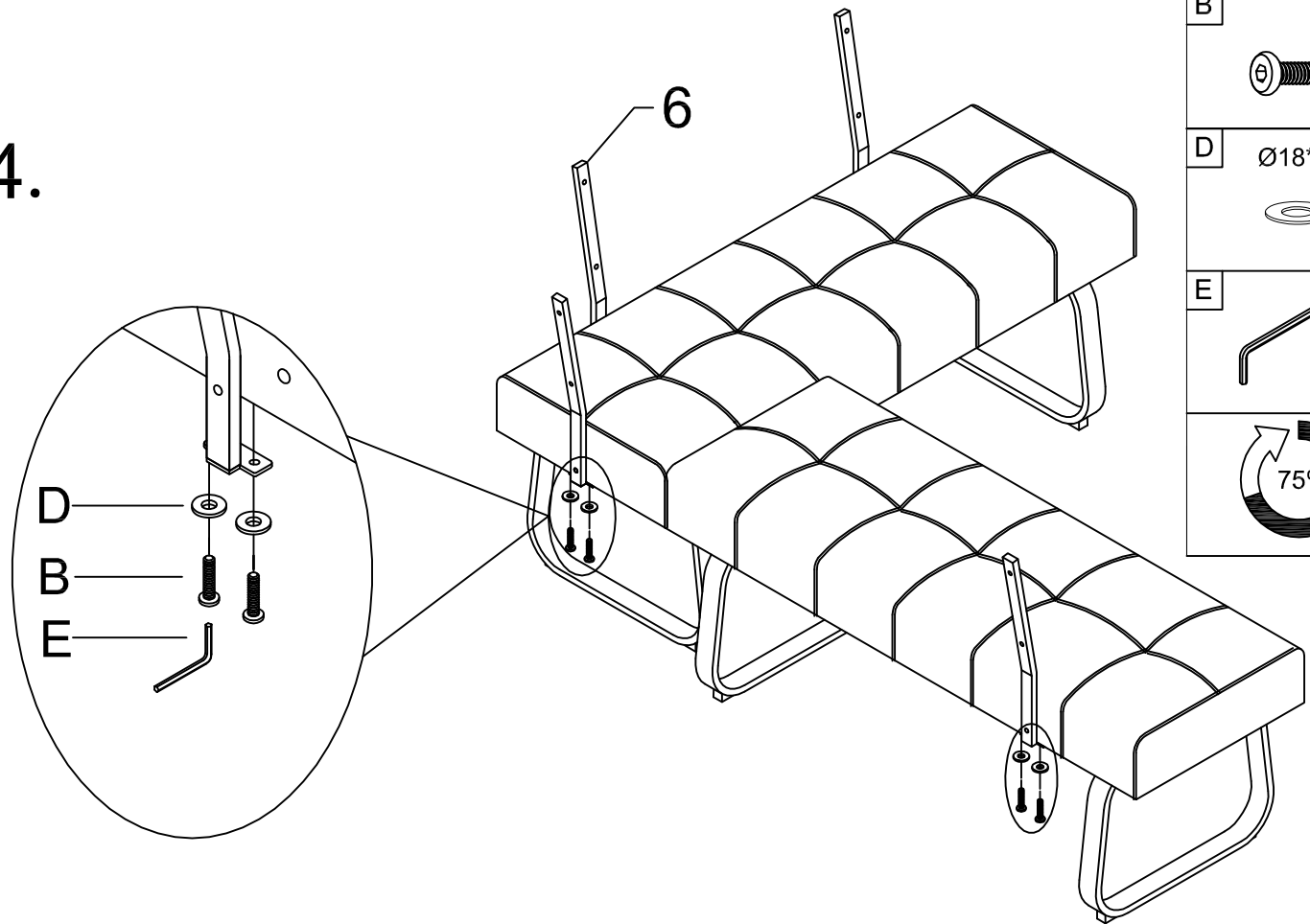
11.





3.



- B** M8\*18  
 4X
- D** Ø18\*Ø8\*1.5  
 4X
- E** 5mm  
 1X
- F**  
 2X
- 

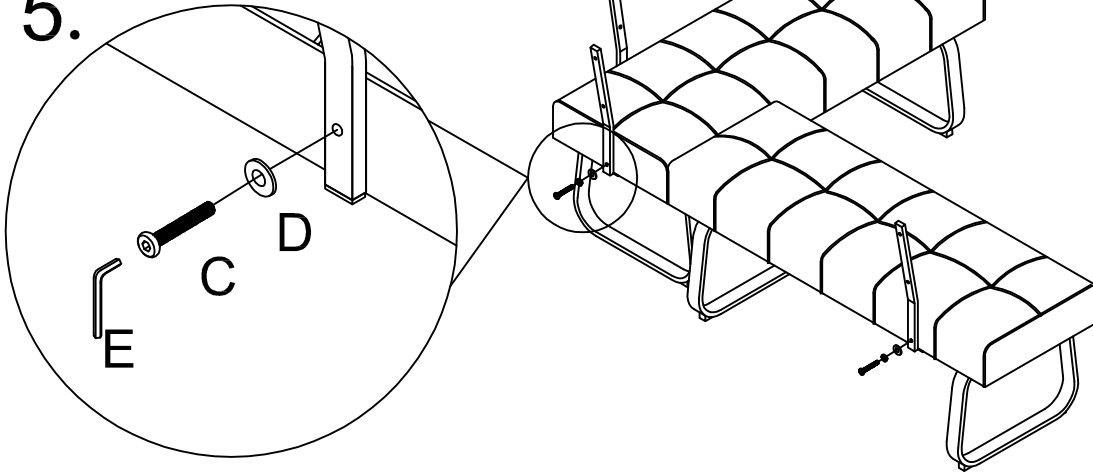
4.



- B** M8\*18  
 8X
- D** Ø18\*Ø8\*1.5  
 8X
- E** 5mm  
 1X
- 

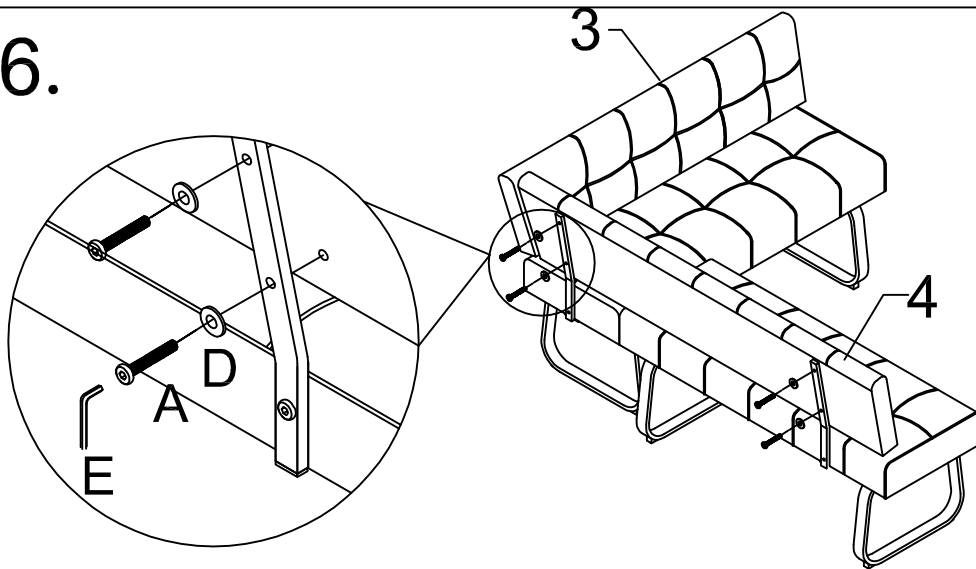
# III.

## 5.



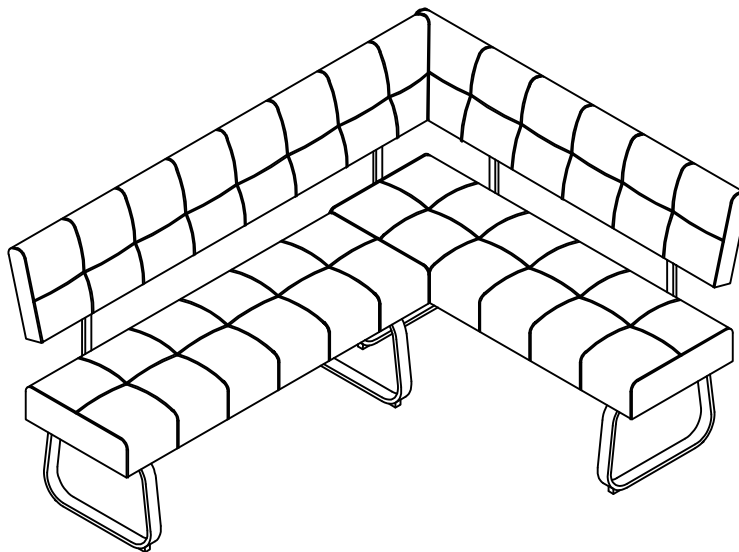
- C** M8\*40  
4X
- D** Ø18\*Ø8\*1.5  
4X
- E** 5mm  
1X
- 75%

## 6.



- A** M8\*32  
8X
- D** Ø18\*Ø8\*1.5  
8X
- E** 5mm  
1X
- 75%

## 7.



- E** 5mm  
1X
- 100%

