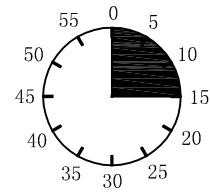
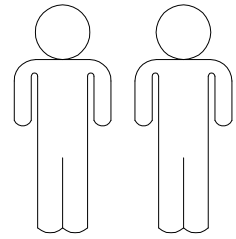
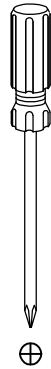
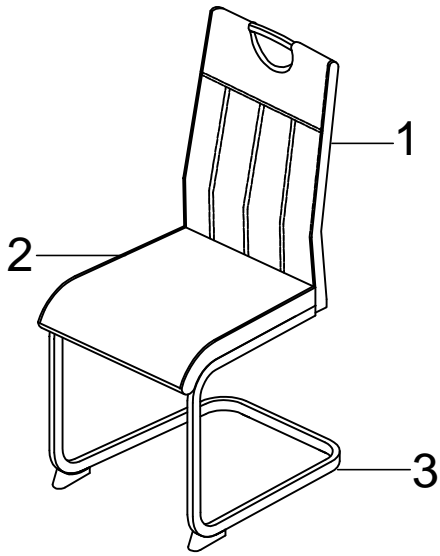


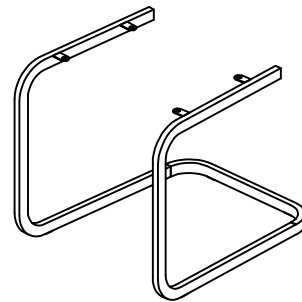
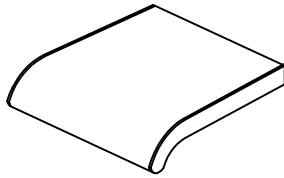
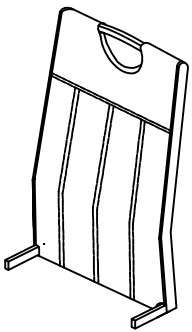
# Christina



1

2

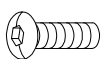
3



1	1X
2	1X
3	1X

A

M6\*12



4X

B

M6\*18



4X

C

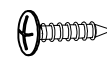
Ø18\*Ø6.5\*1.5



4X

D

M4\*20



4X

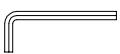
E



2X

F

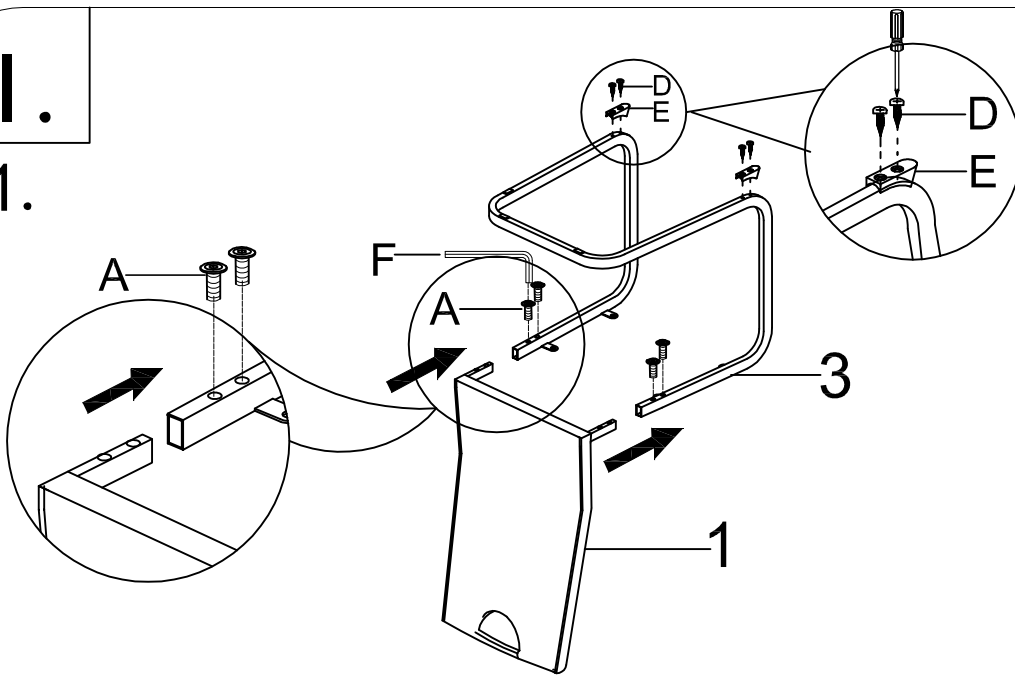
4mm



1X

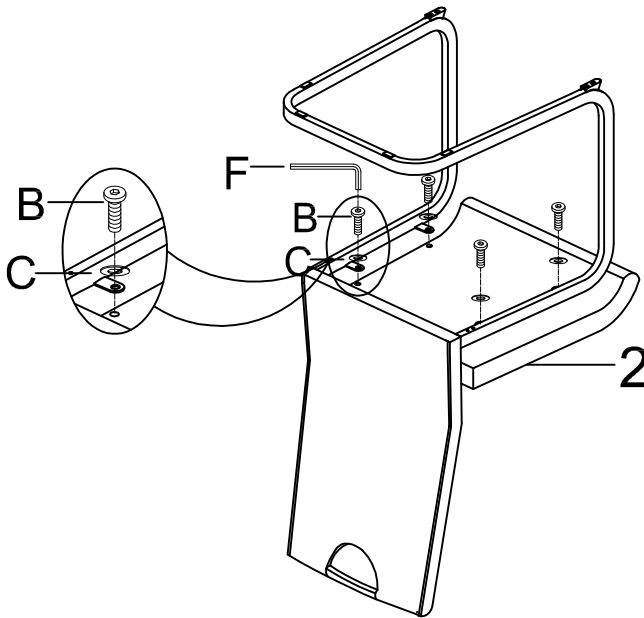
I.

1.



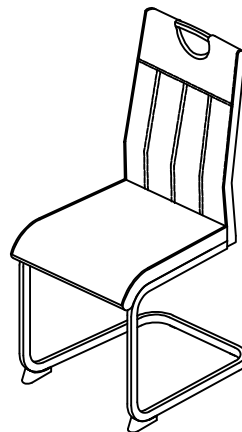
- A** M6\*12  
4X
- D** M4\*20  
4X
- E**  
2X
- F** 4mm  
1X
- 75%

2.



- B** M6\*18  
4X
- C** Ø18\*Ø6.5\*1.5  
4X
- F** 4mm  
1X
- 75%

3.



- F** 4mm  
1X
- 100%

