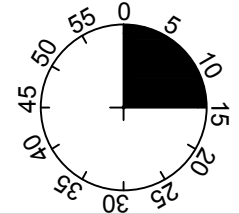
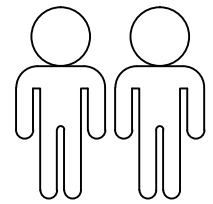
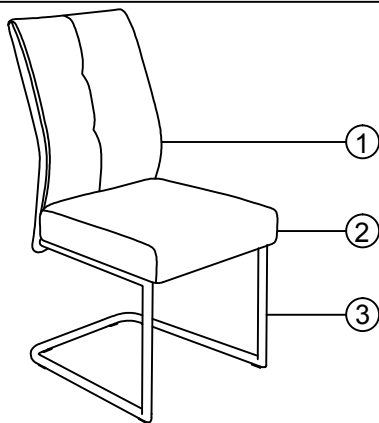
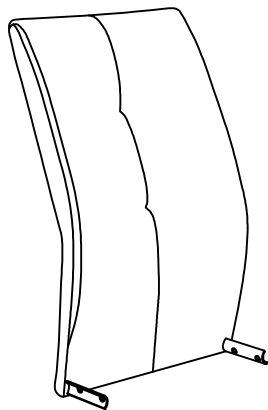


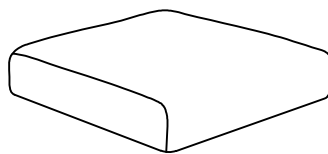
Dagmar



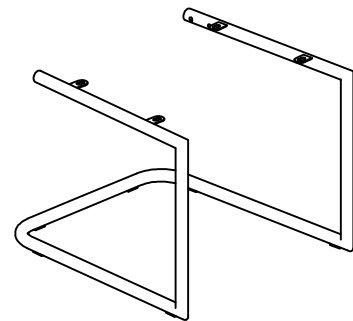
1



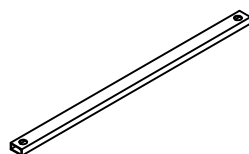
2



3

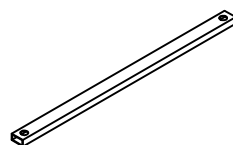


4



425mm

5



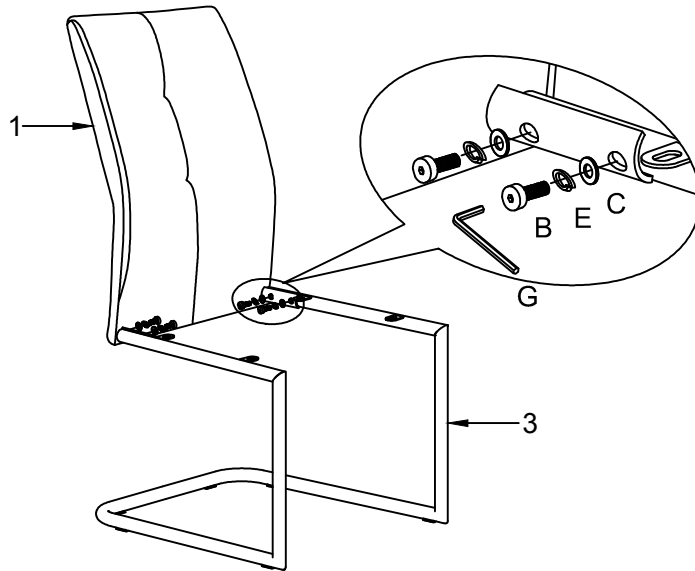
405mm






1	1x	1/2
2	1x	2/2
3	1x	2/2
4	1x	2/2
5	1x	2/2

A	M6x30 4x	B	M8x20 4x	C	Ø18xØ8x1.5 4x	D	Ø18xØ6x1.5 4x	E	M8 4x	F	4MM 1x
G	6MM 1x										

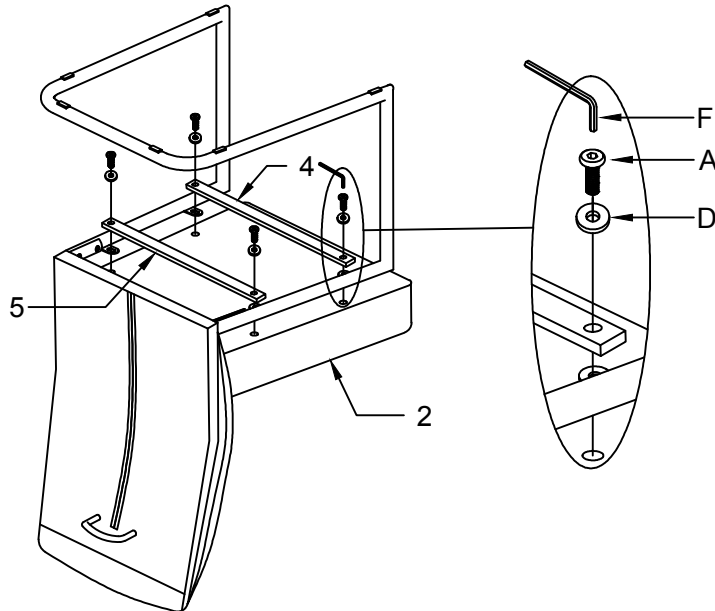
I.

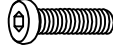



1



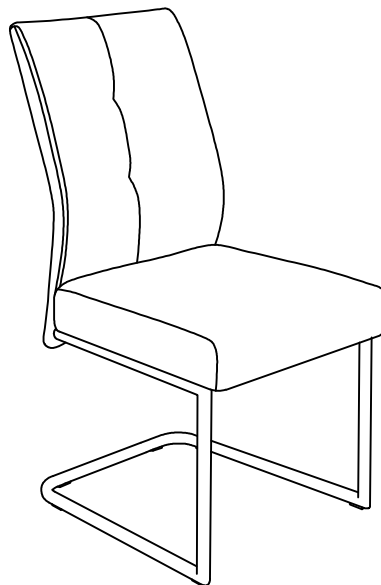
B		M8x20
		4x
C		Ø18xØ8x1.5
		4x
E		M8
		4x
G		6MM
		1x
		



2



A		M6x30
		4x
D		Ø18xØ6x1.5
		4x
F		4MM
		1x
		

3



F		4MM
		1x
G		6MM
		1x
