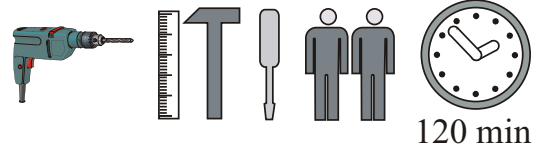
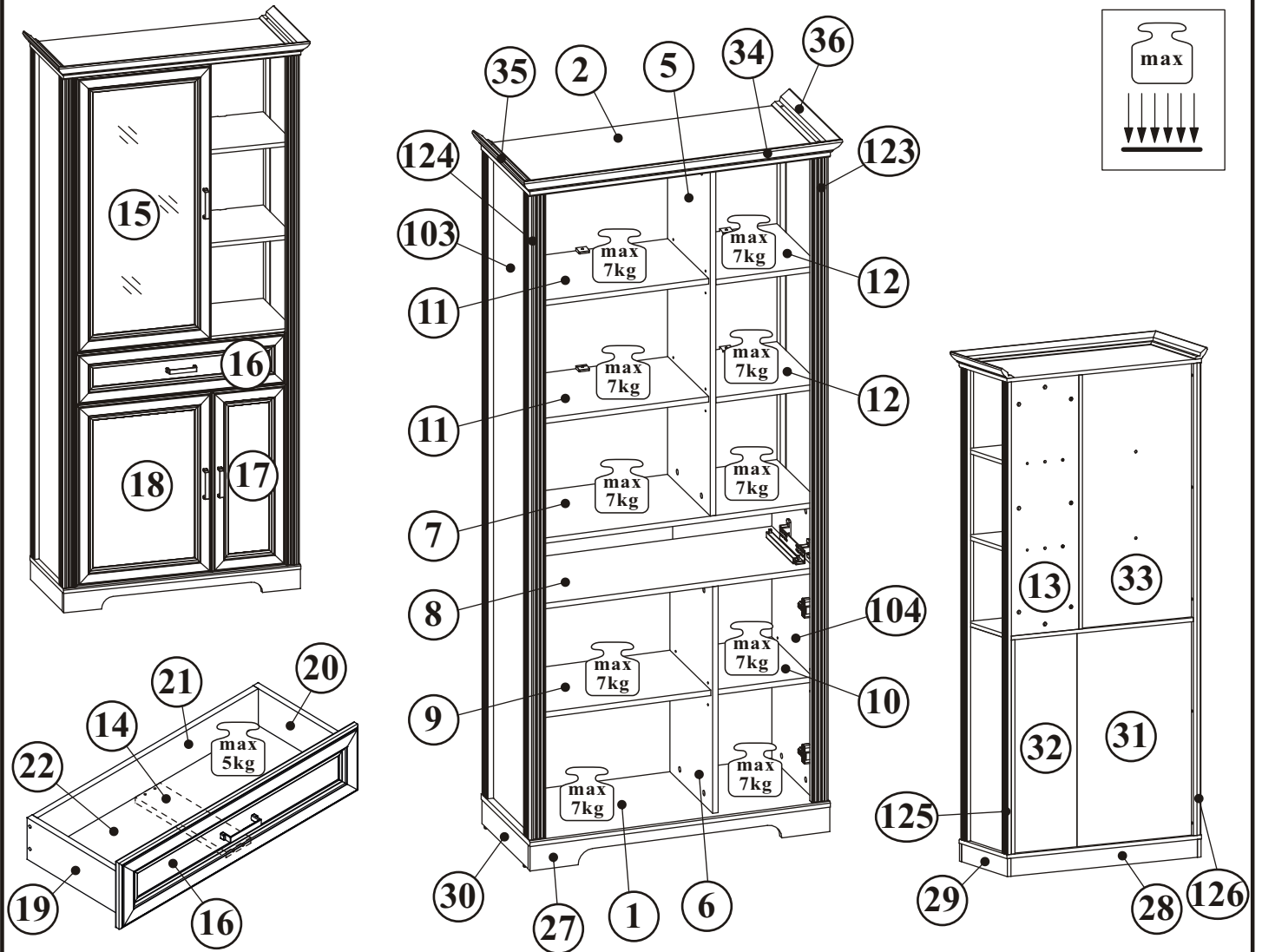


JASMIN 10G9_01

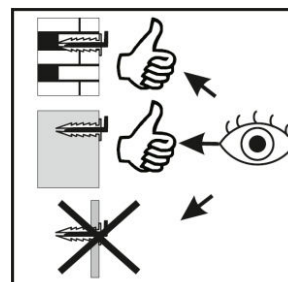
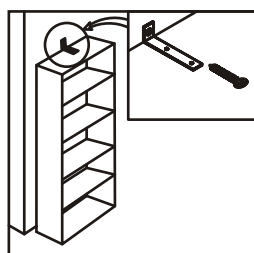
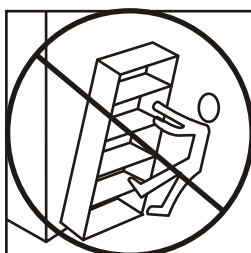
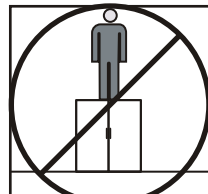
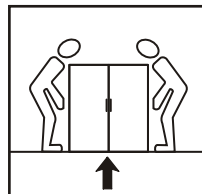
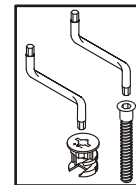
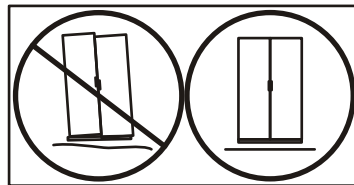
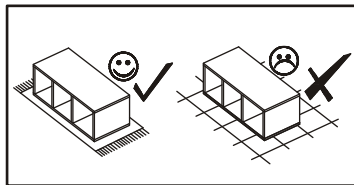
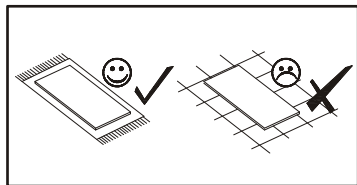
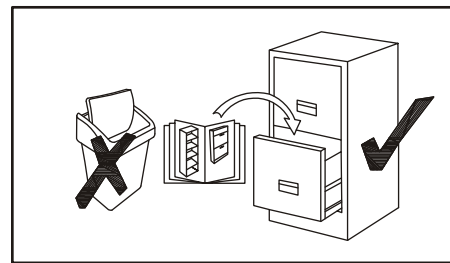
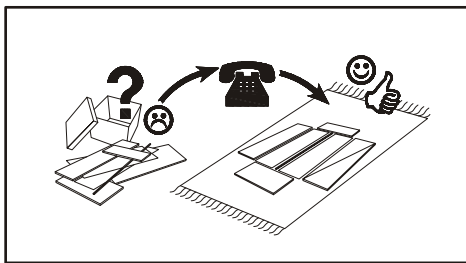
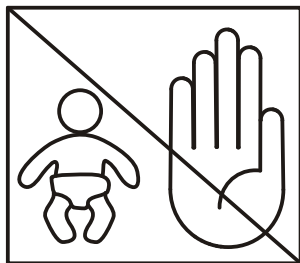


NO	Dim.		Col.-No	Qty
1	876	386	16	1
2	876	386	16	1
103	1890	359	16	2
104	857	359	16	2
5	1017	359	16	2
6	665	339	16	2
7	820	359	16	1
8	804	339	16	2
9	507	324	16	1
10	281	324	16	1
11	500	324	16	2
12	304	342	16	3
13	1017	304	16	3
14	299	80	16	1
15	1020	496	21	3
16	770	188	21	3
17	668	270	21	3
18	668	496	21	3

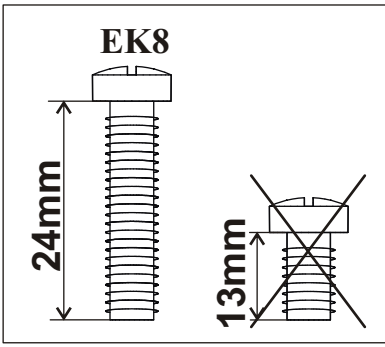
NO	Dim.		Col.-No	Qty
19	300	120	16	1
20	300	120	16	1
21	714	106	16	1
22	304	726	3	1
123	1890	49	49	2
124	1890	49	49	2
125	1890	43	19	2
126	1890	43	19	2
27	874	72	16	1
28	840	72	16	1
29	369	72	16	1
30	369	72	16	1
31	867	521	3	3
32	867	295	3	1
33	1027	512	3	3
34	929	67	21	1
35	412	67	21	1
36	412	67	21	1

JASMIN 10G9_01

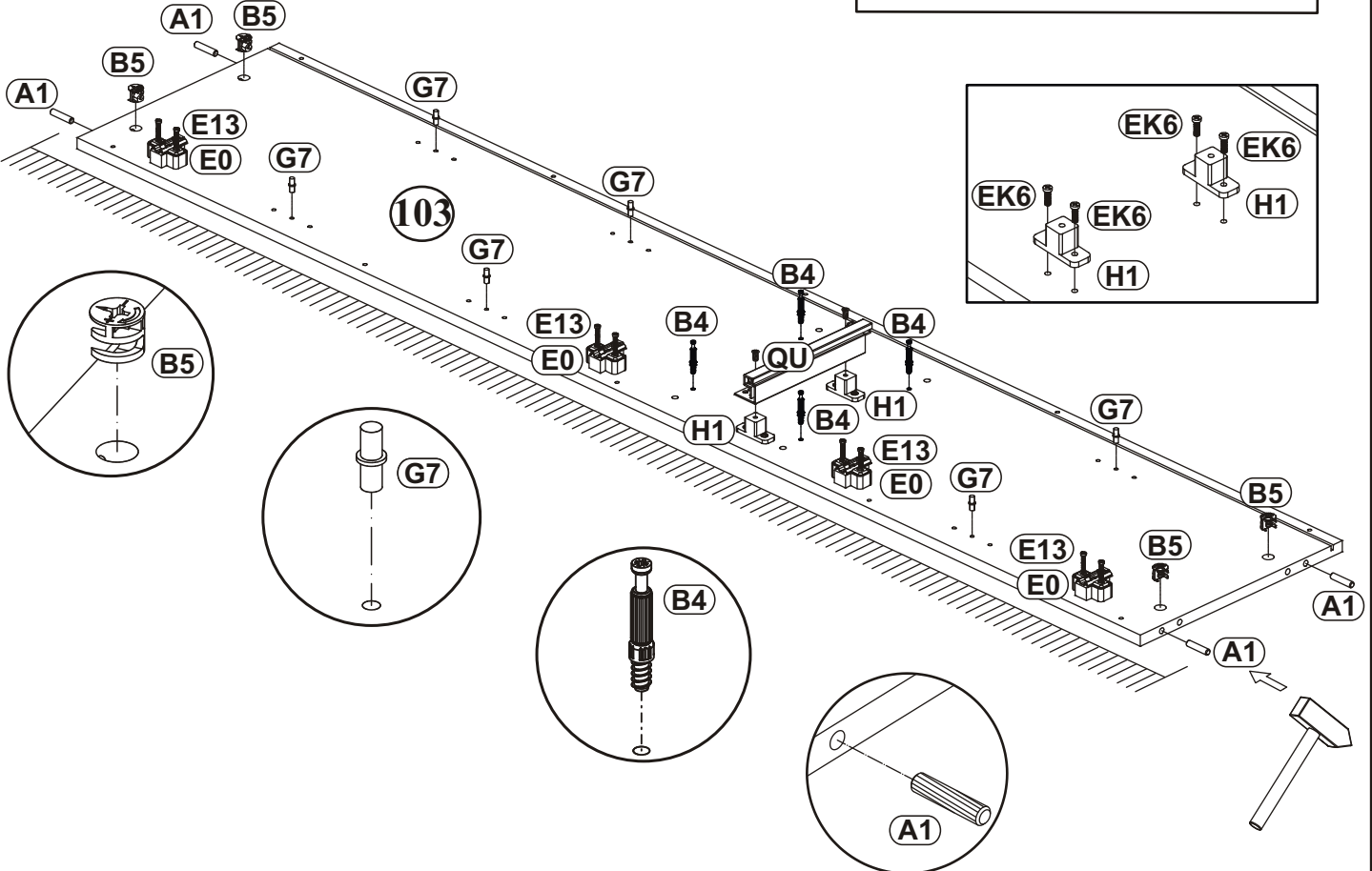
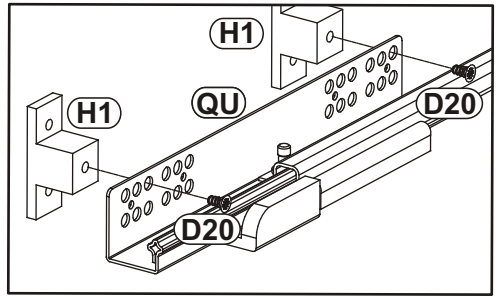
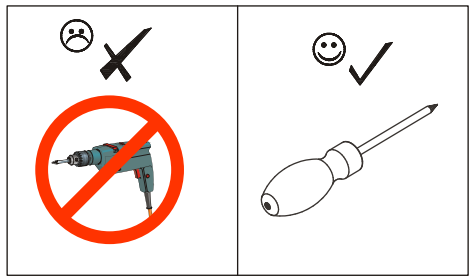
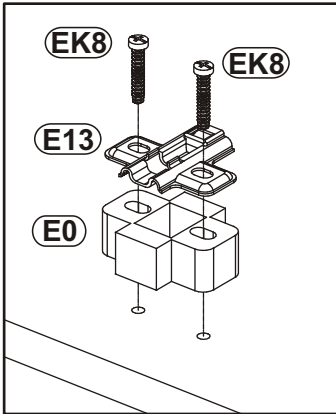
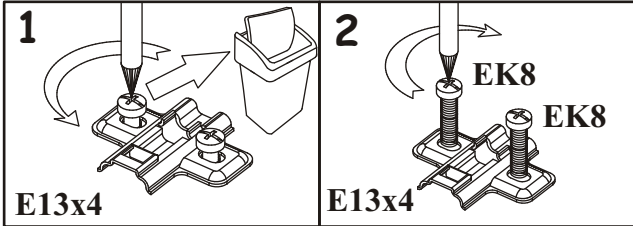
A1 x41 ø8x36	B4 x44	B5 x44 ø15x12	G5 x44	G7 x16	G2 x1
EK6 x8 EKØ6,3x13	E17 x6 H=16	E13 x6 H=2	UP6 x2 UPØ4x30	L1 x2	KR1 x2
EK8 x12 EKØ6,3x24	D10 x18 USØ3,5x13	UP13 x9 UPØ3x16	D20 x4 ESØ6,3x9,5	QU x1 L-300	I2 x6
B11 x14 Ø7x50	D24 x16 USØ4x30	G4 x12	KM1 x1	G16 x5	E0 x6 H=11
C19 x4	D34 x2 M4x16	D4 x6 M4x30	OS3 x4	S1 x24	H1 x4
D9 x7 USØ3x20	UP9 x4 UPØ3,5x16	I9 x1 H-60 mm.	G12 x16 Ø14	0 mm 10 20 30 40 50 60	



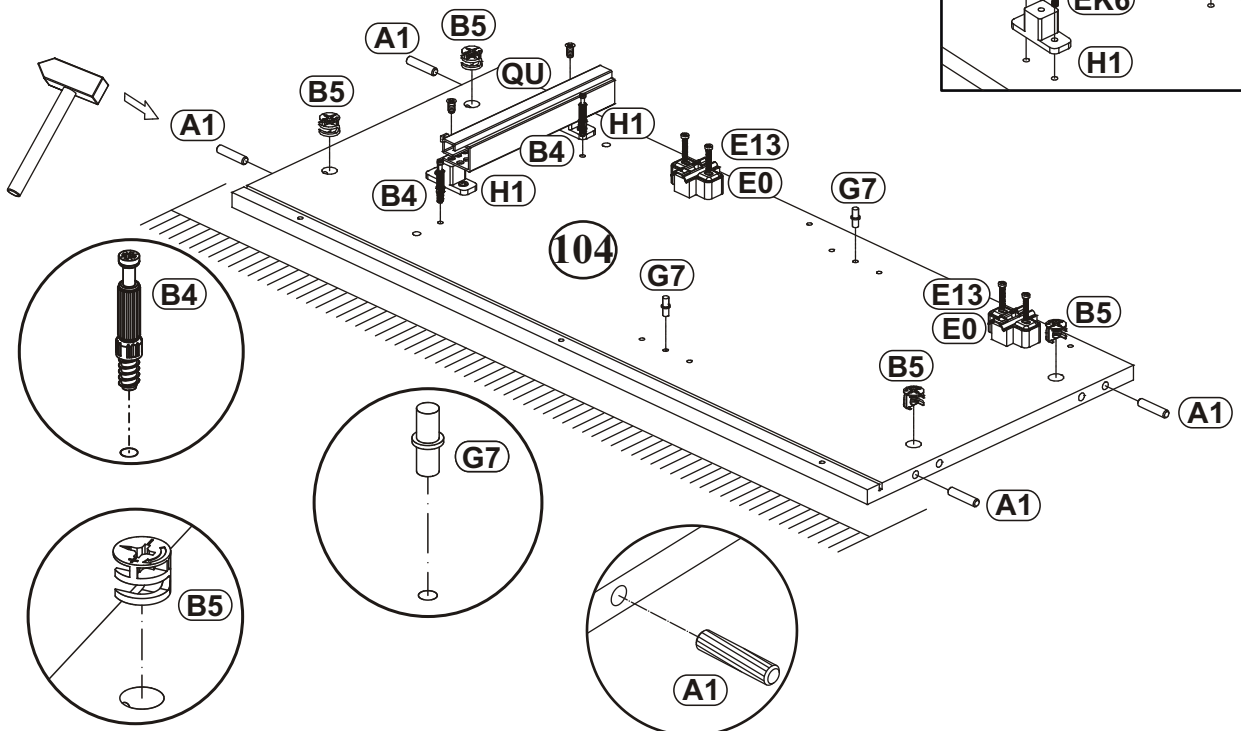
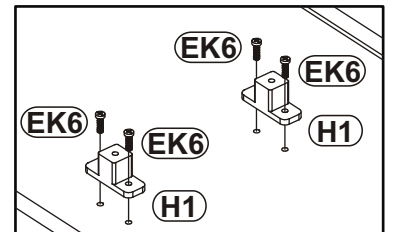
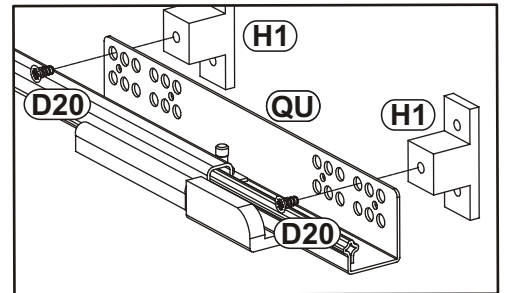
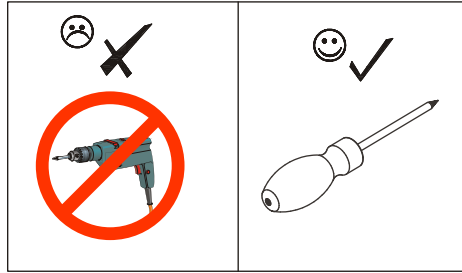
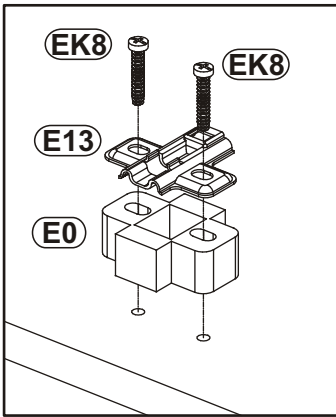
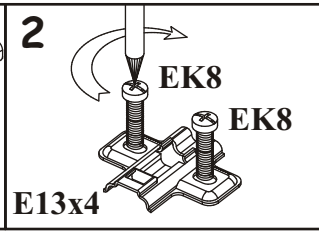
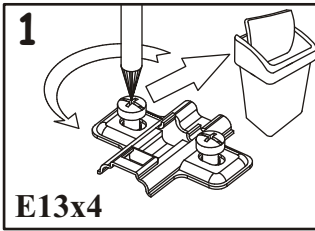
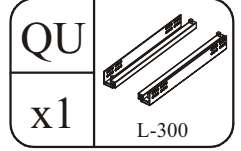
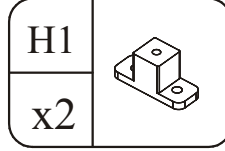
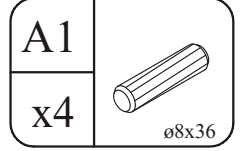
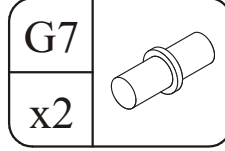
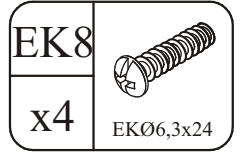
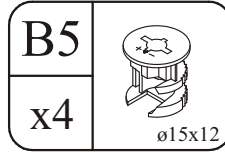
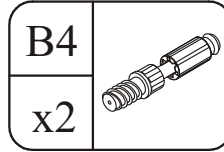
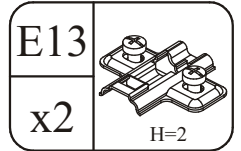
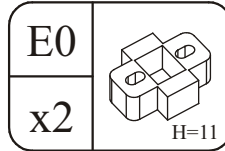
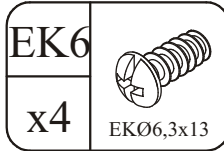
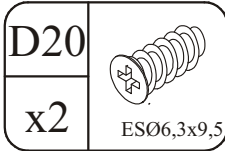
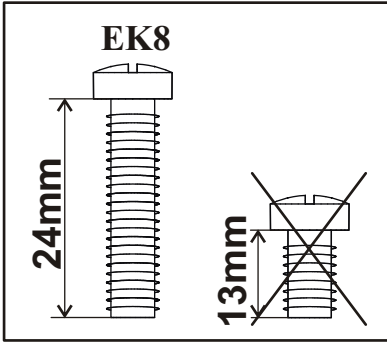
1



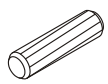
B4 x4		E0 x4		E13 x4	
D20 x2		B5 x4		EK8 x8	
G7 x6		A1 x4		QU x1	
H1 x2		EK6 x4			

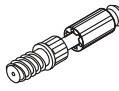



2

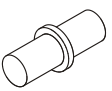


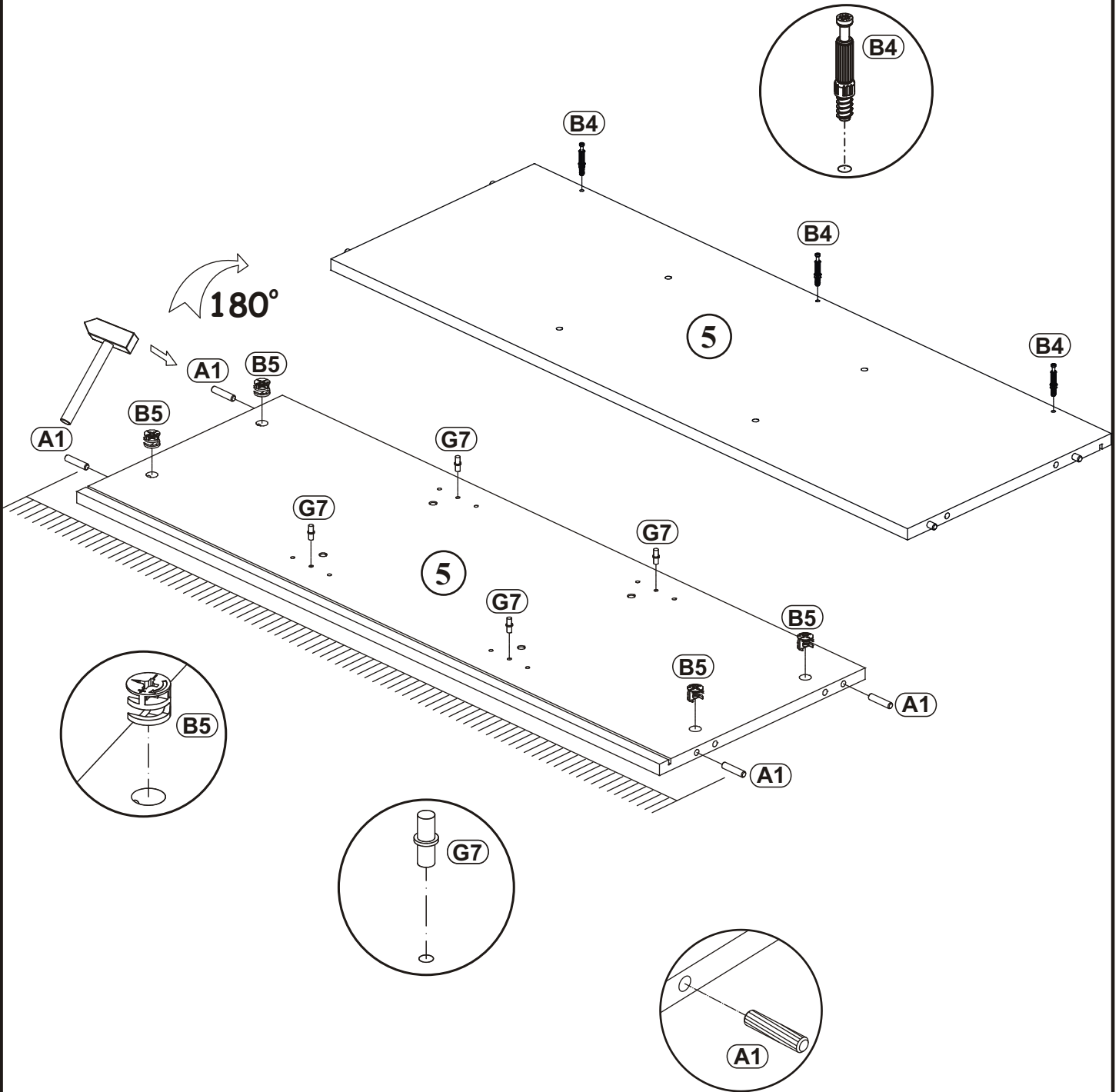
3

A1	
x4	ø8x36

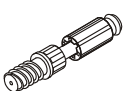
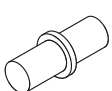
B4	
x3	

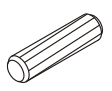

B5	
x4	ø15x12

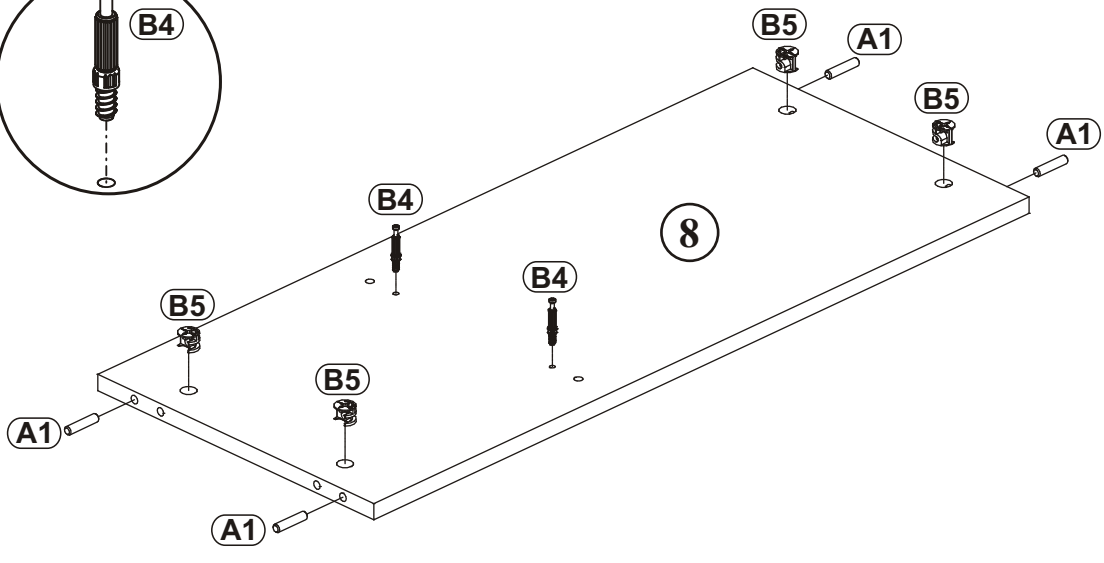
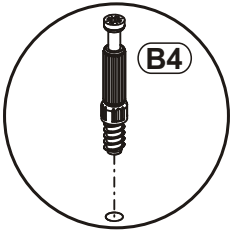
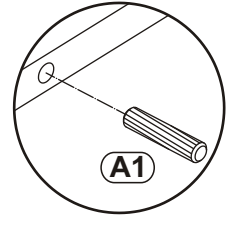
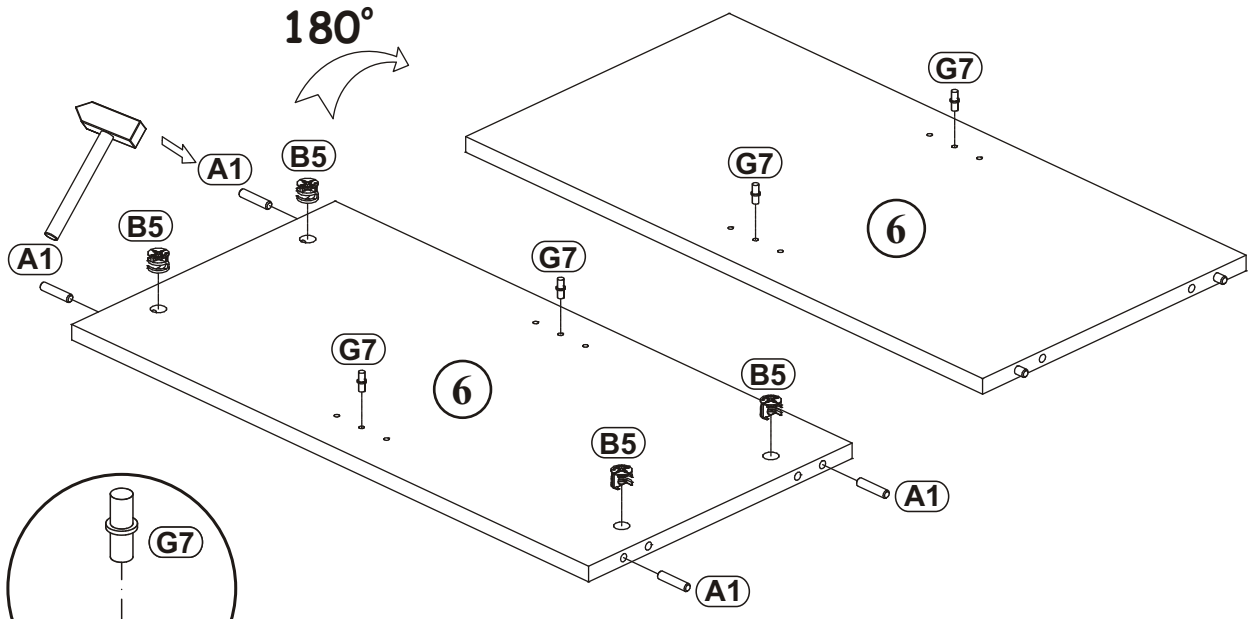
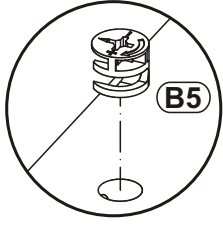
G7	
x4	

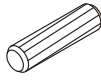


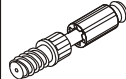
4


B4		G7	
x2		x4	

A1		B5	
x8	ø8x36	x8	ø15x12

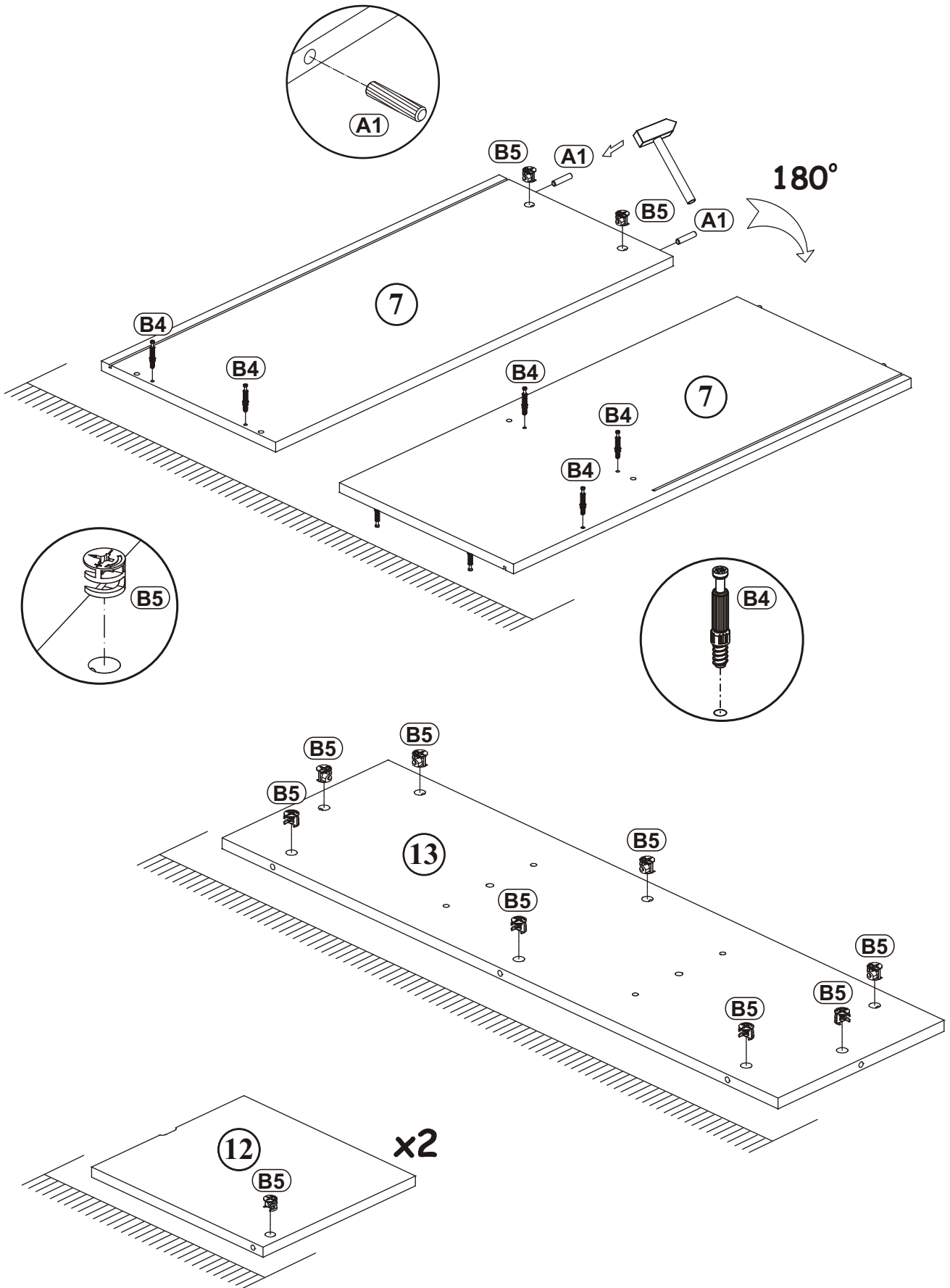


A1	
x2	ø8x36

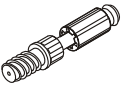
B4	
x5	

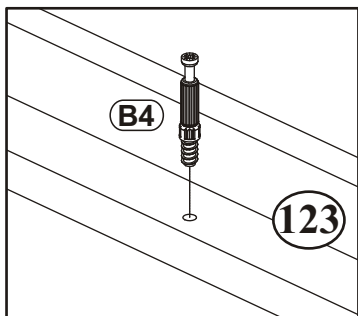
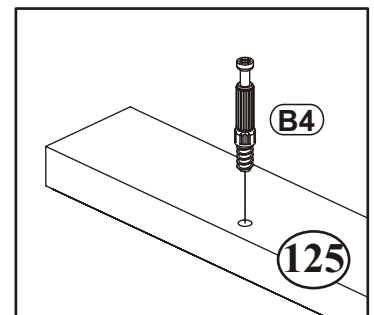
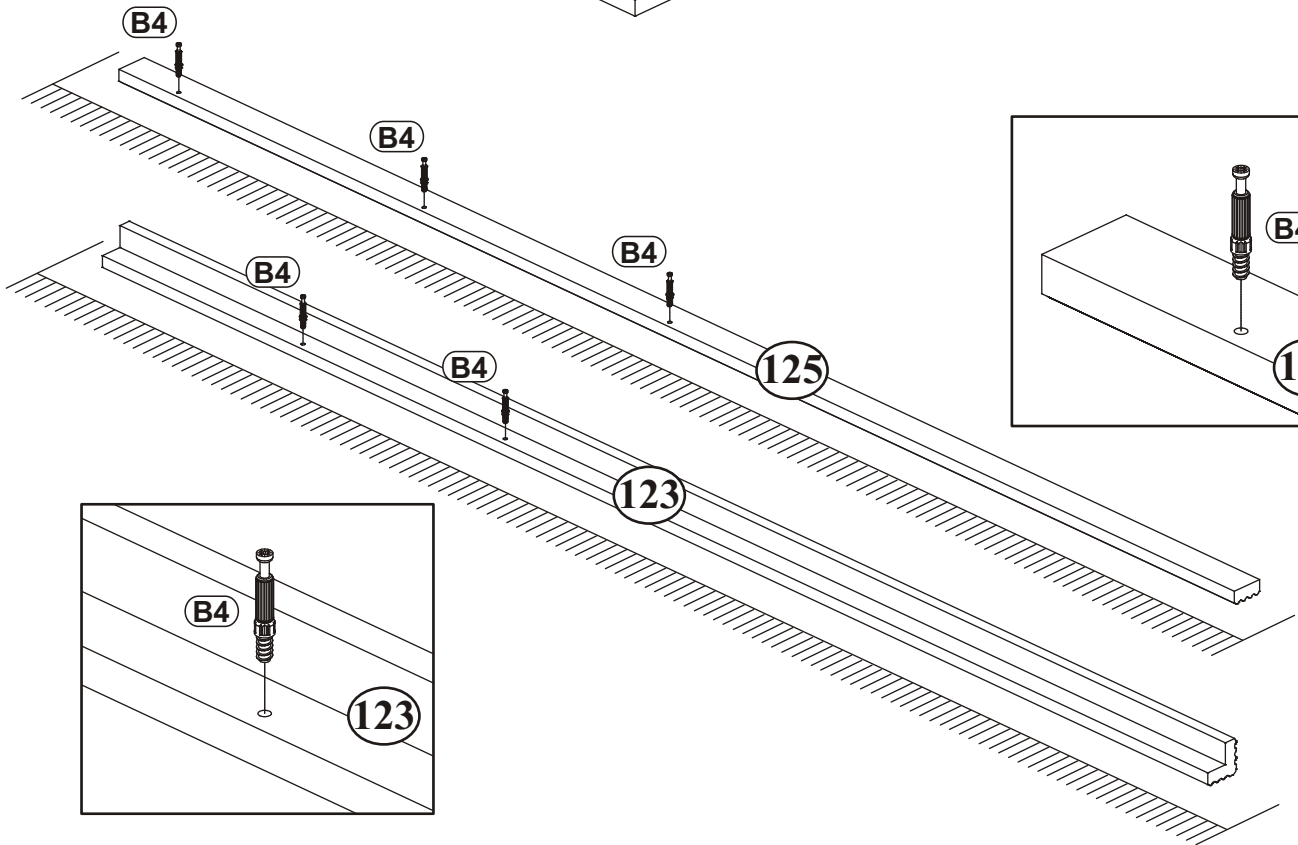
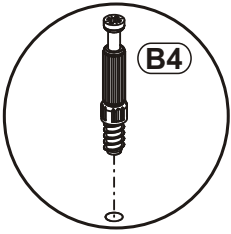
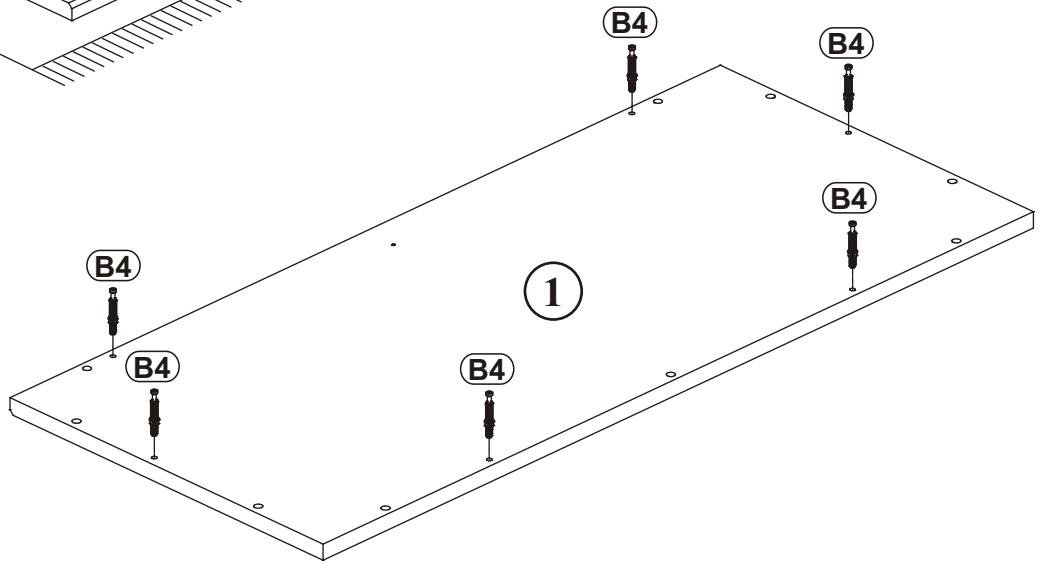
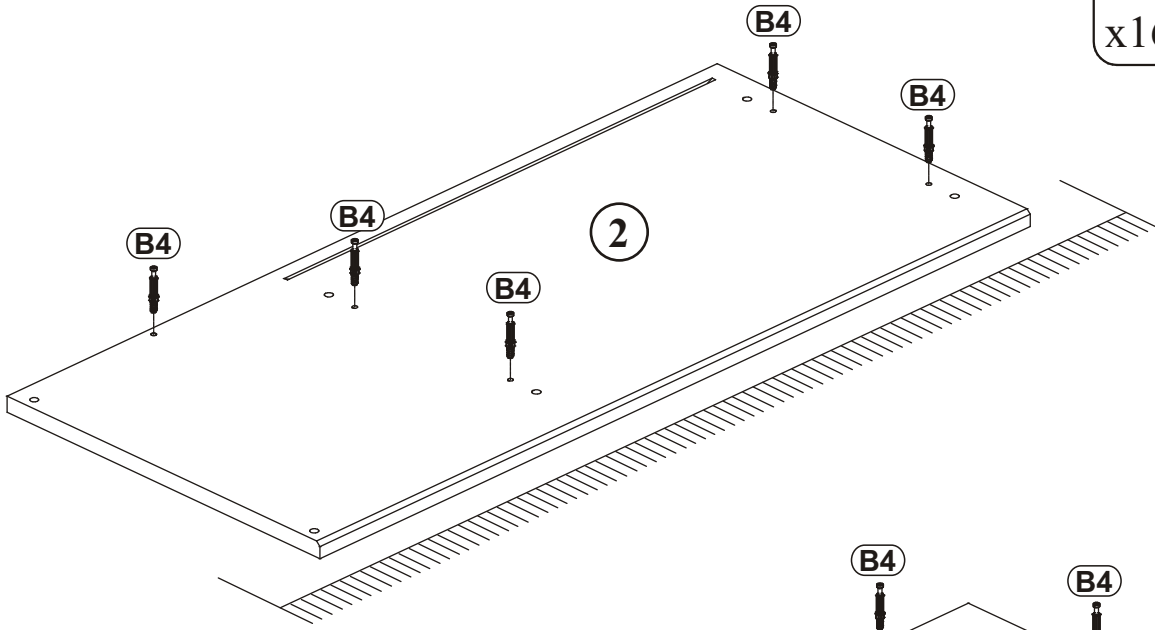
B5	
x12	ø15x12

5

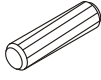

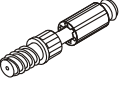


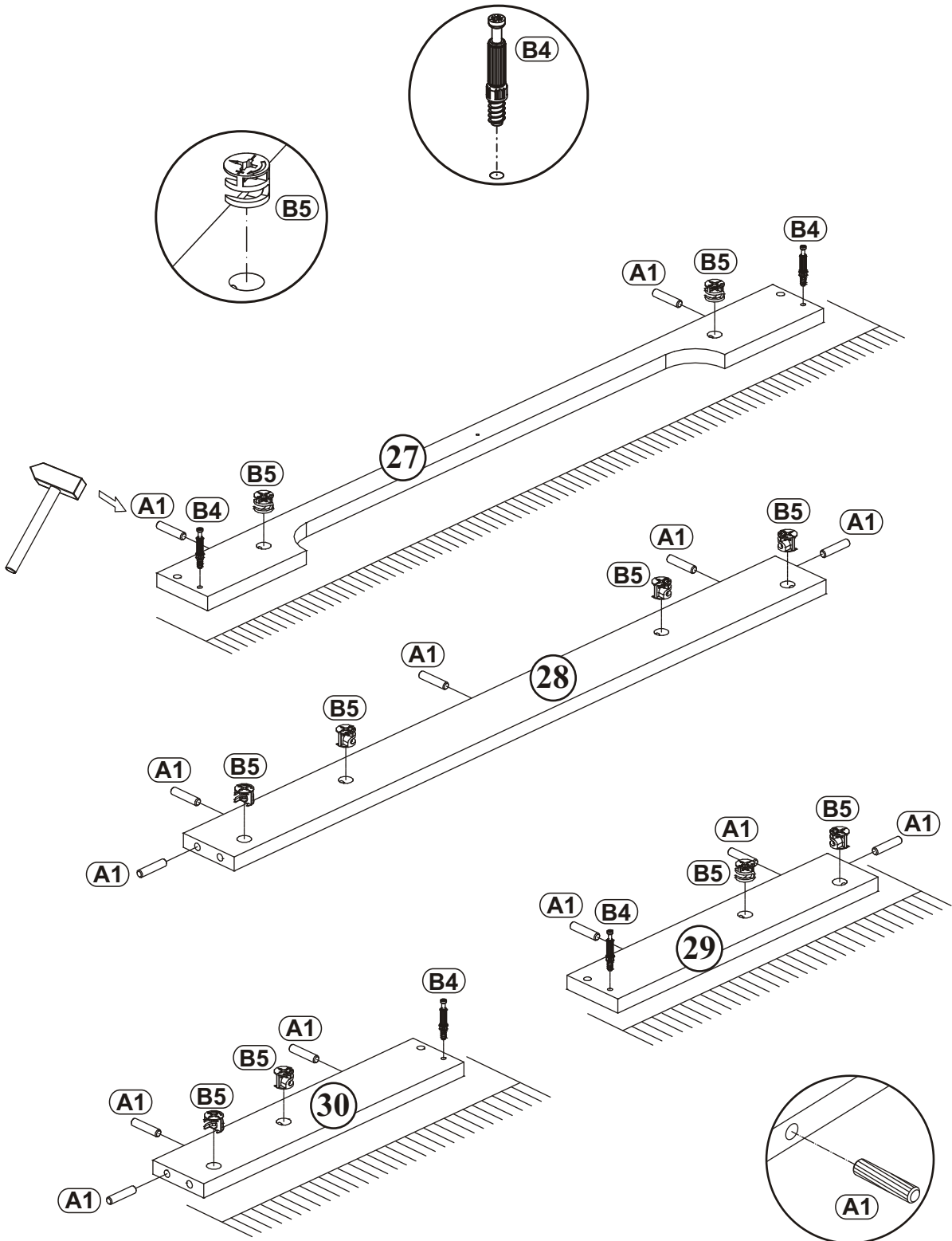
6

B4	
x16	

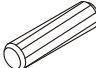



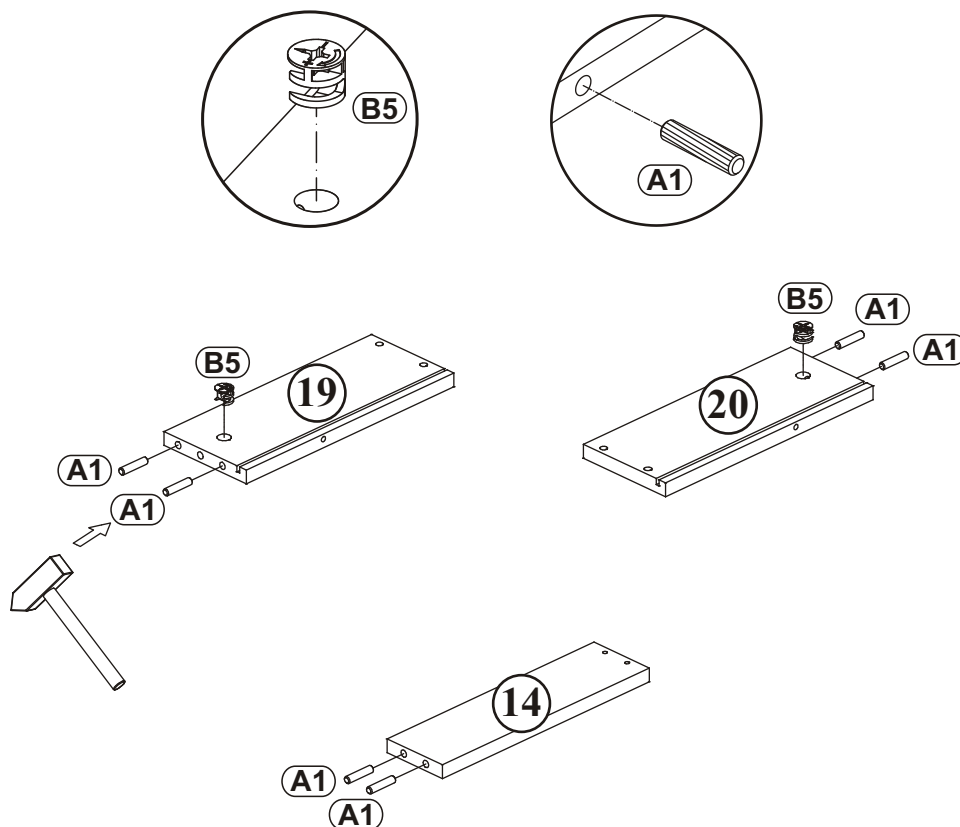
7

A1		B5		B4	
x13	ø8x36	x10	ø15x12	x4	

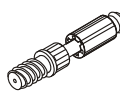


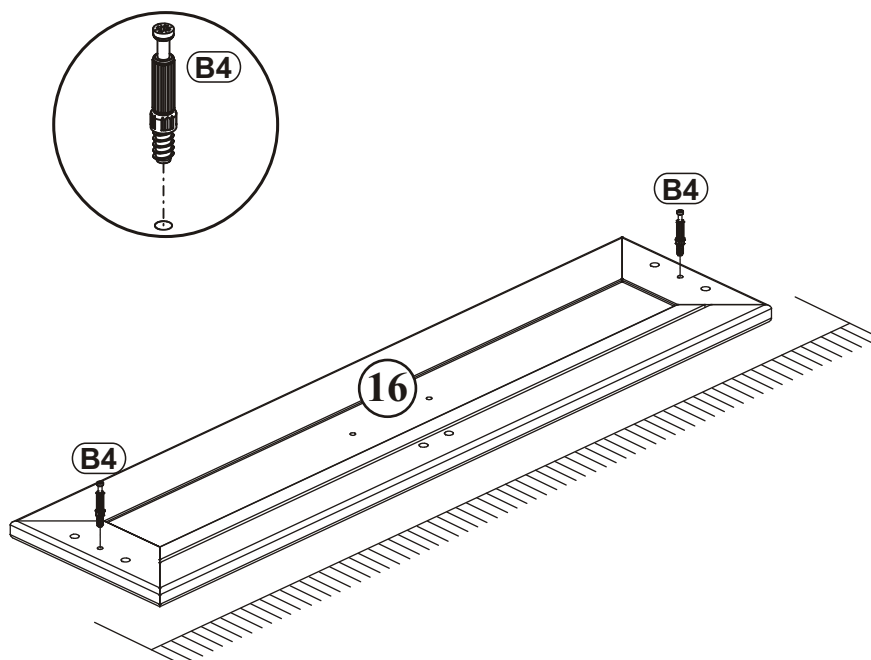
8

A1		B5	
x6	ø8x36	x2	ø15x12

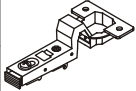



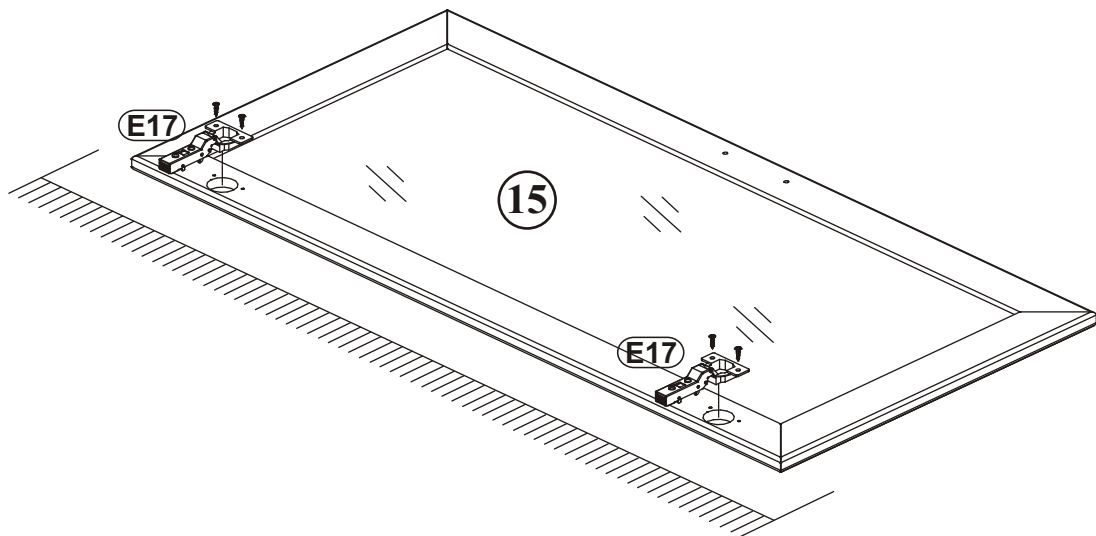
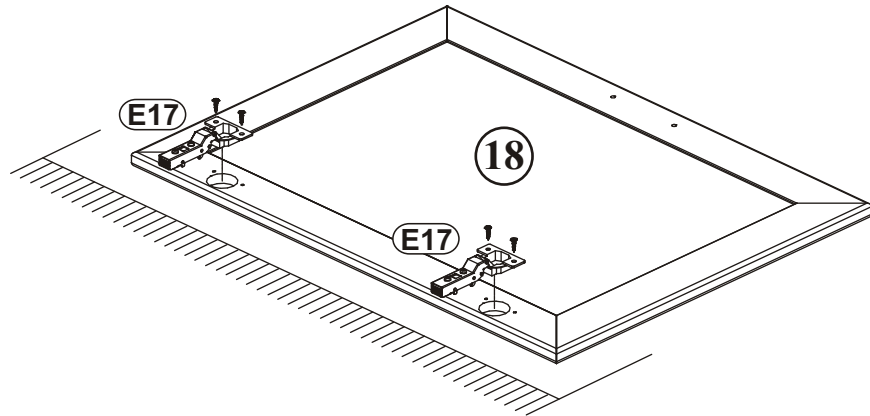
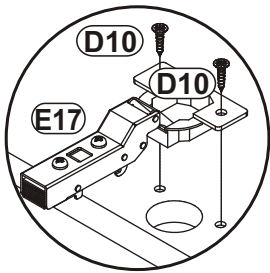
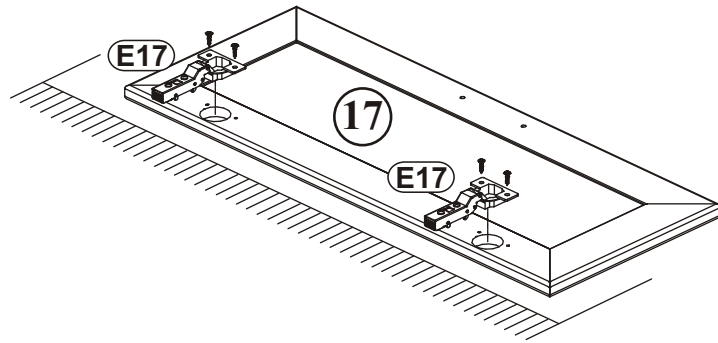
9

B4	
x2	



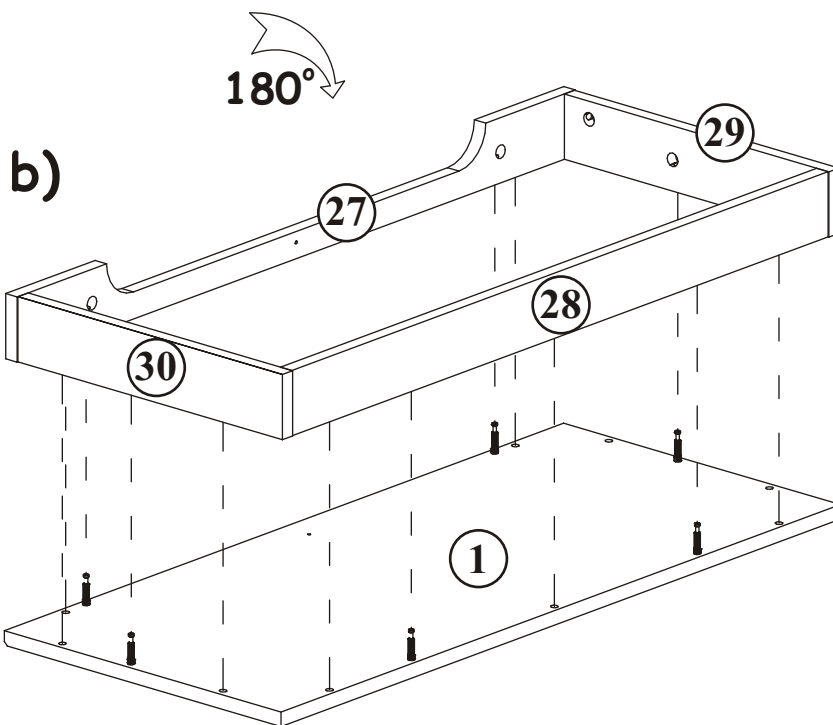
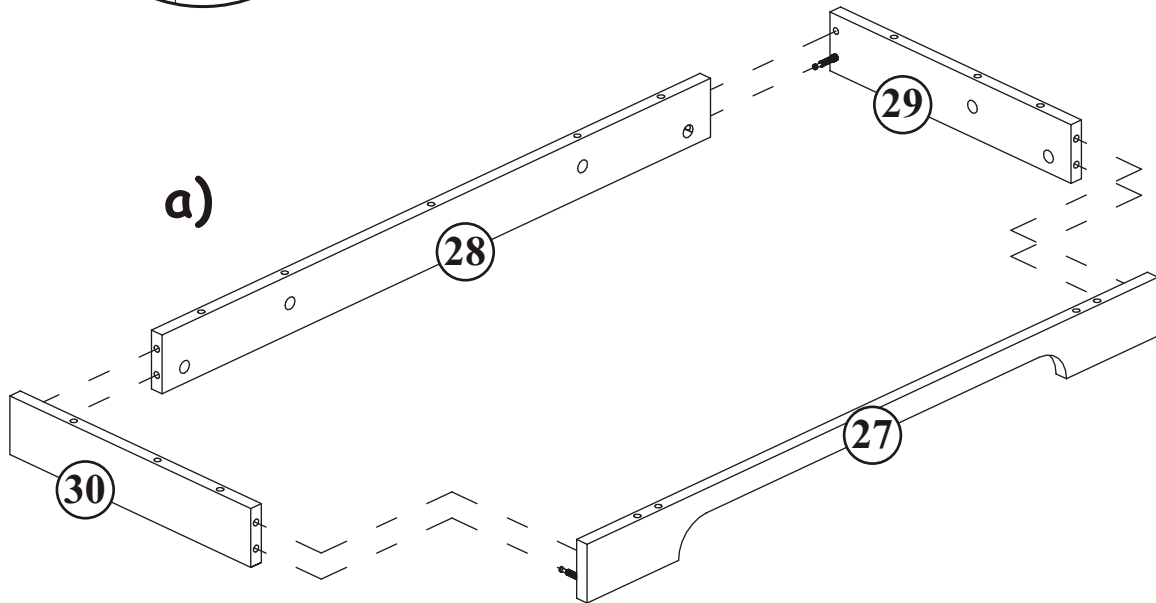
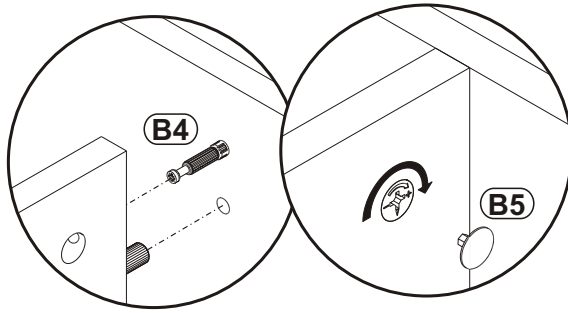
10

E17	
x6	H=16
D10	
x12	USØ3,5x13


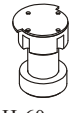
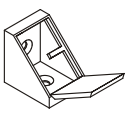
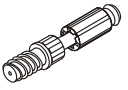




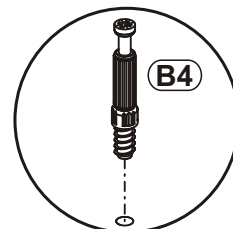
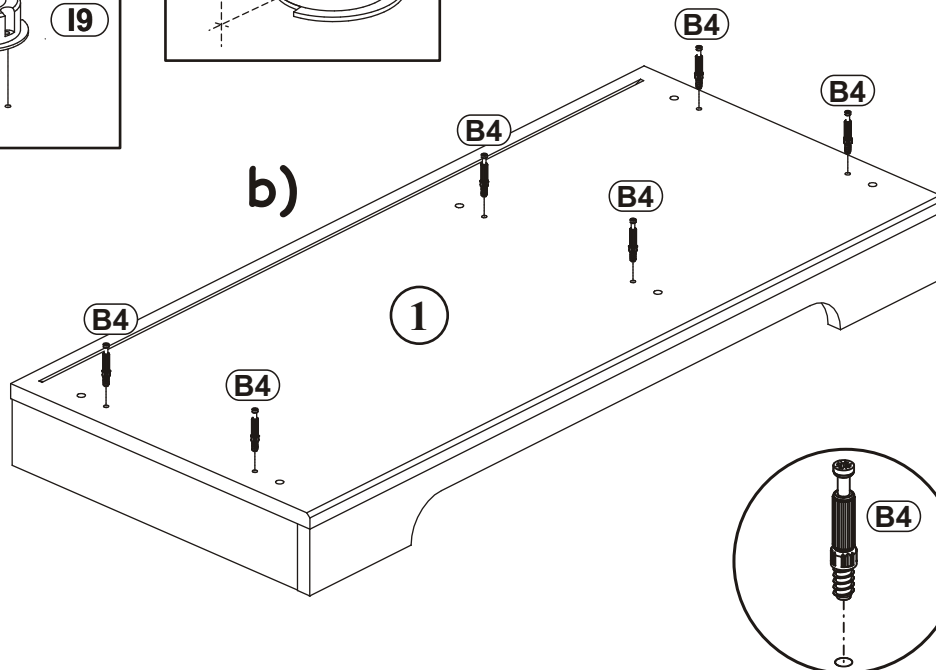
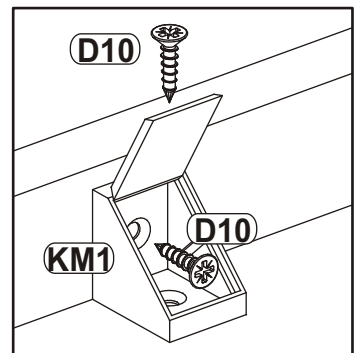
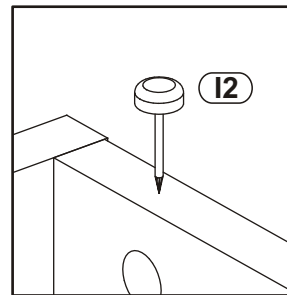
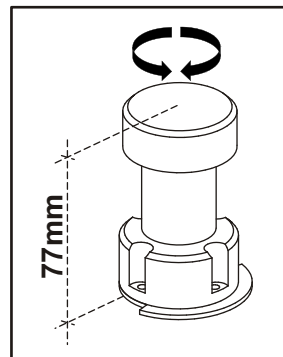
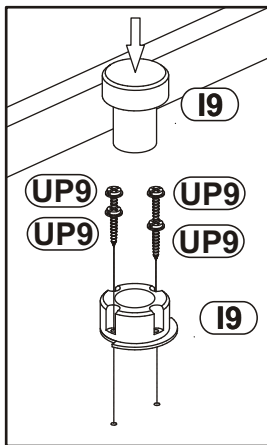
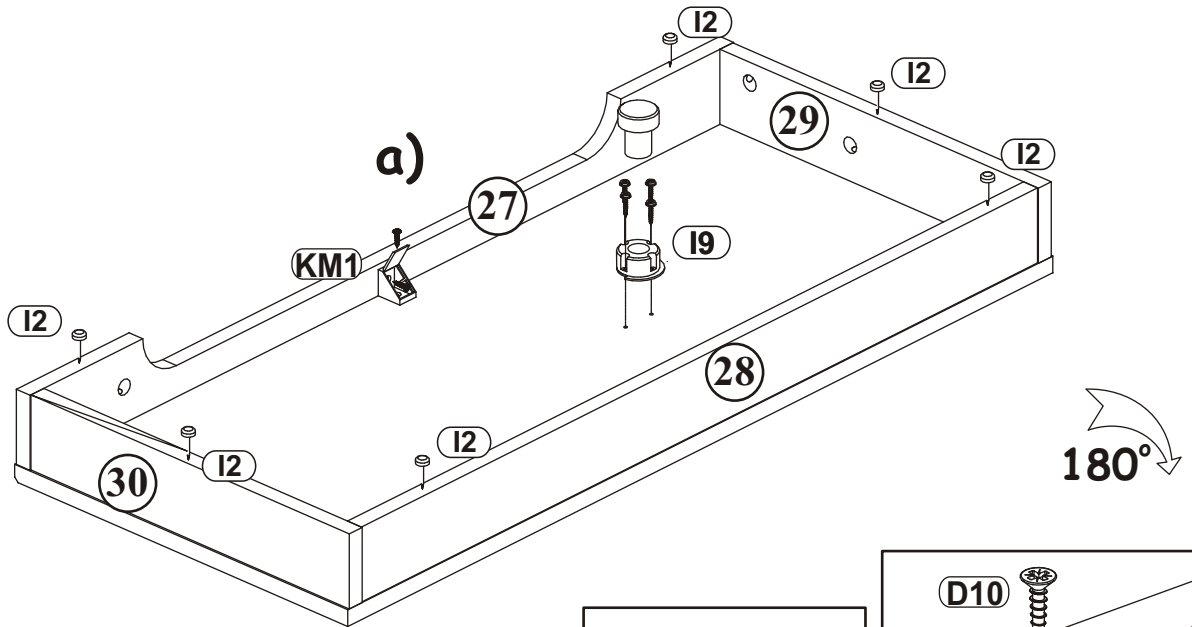




11



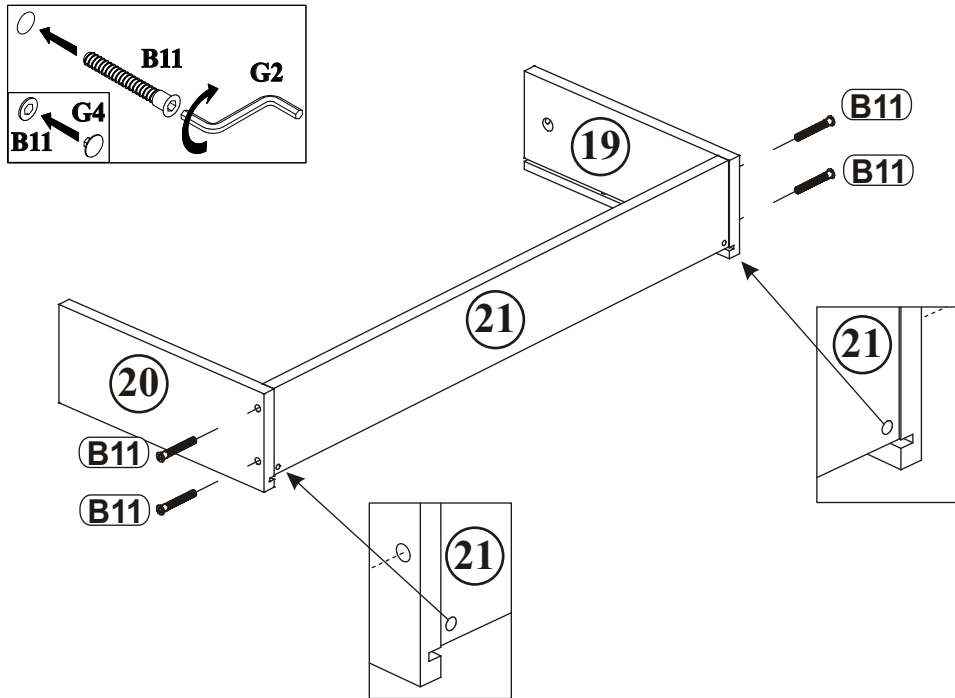
12

UP9 x4	 UPØ3,5x16	I9 x1	 H-60 mm.	KM1 x1		B4 x6	
D10 x2	 USØ3,5x13	I2 x6					




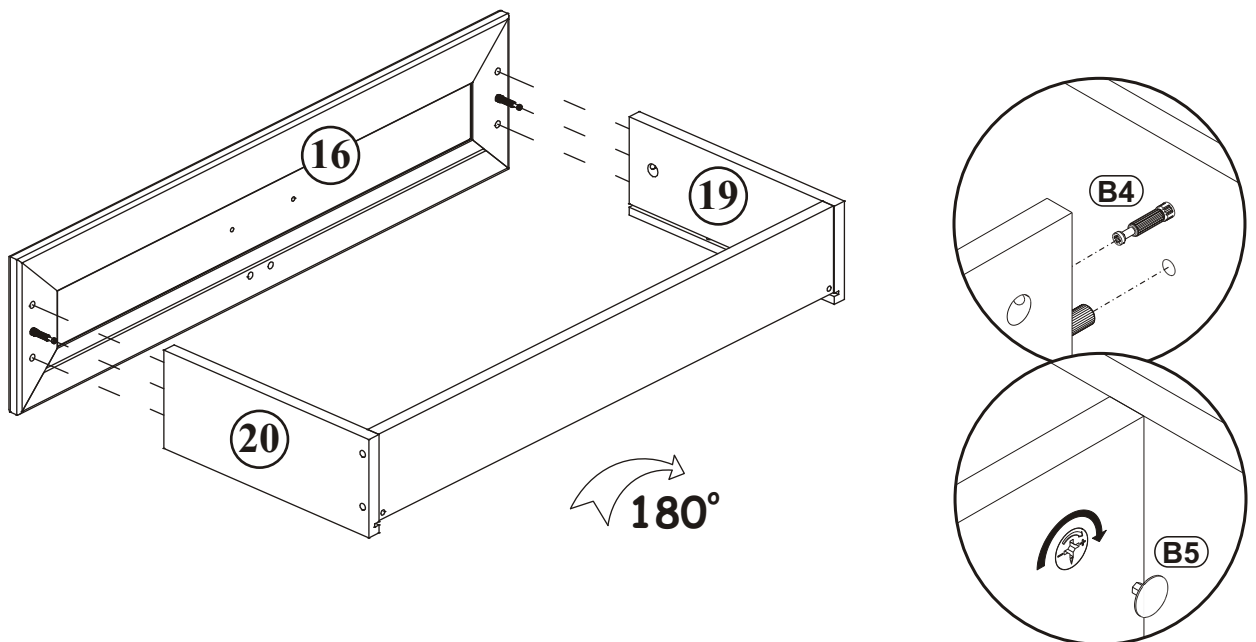
G4		B11	
x4		x4	Ø7x50

13

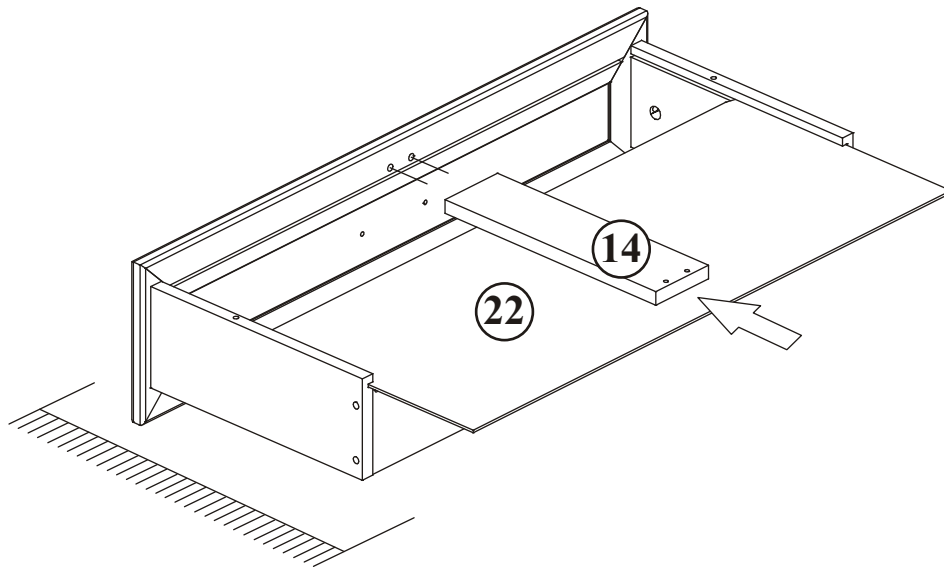


14

G5	
x2	

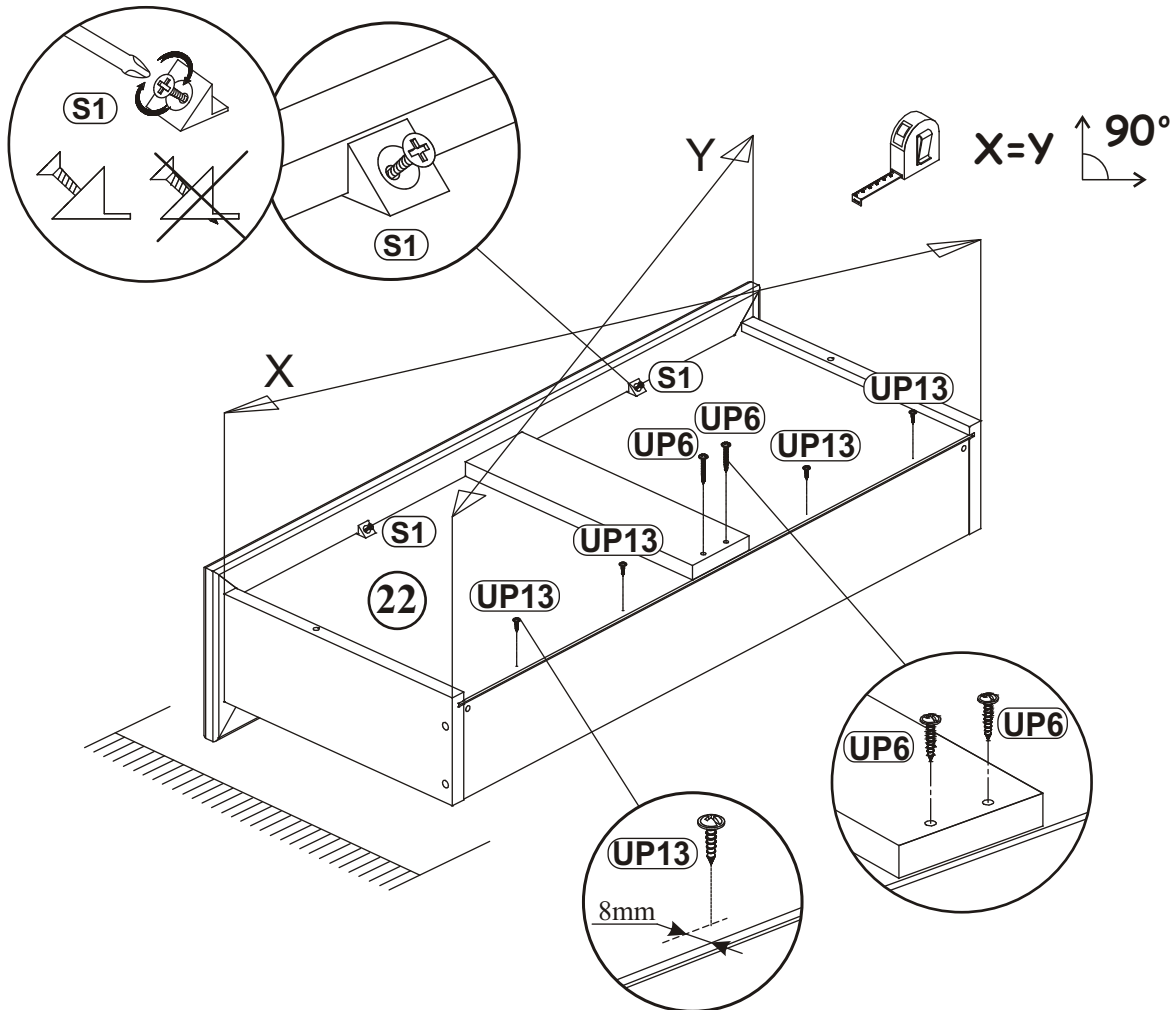


15

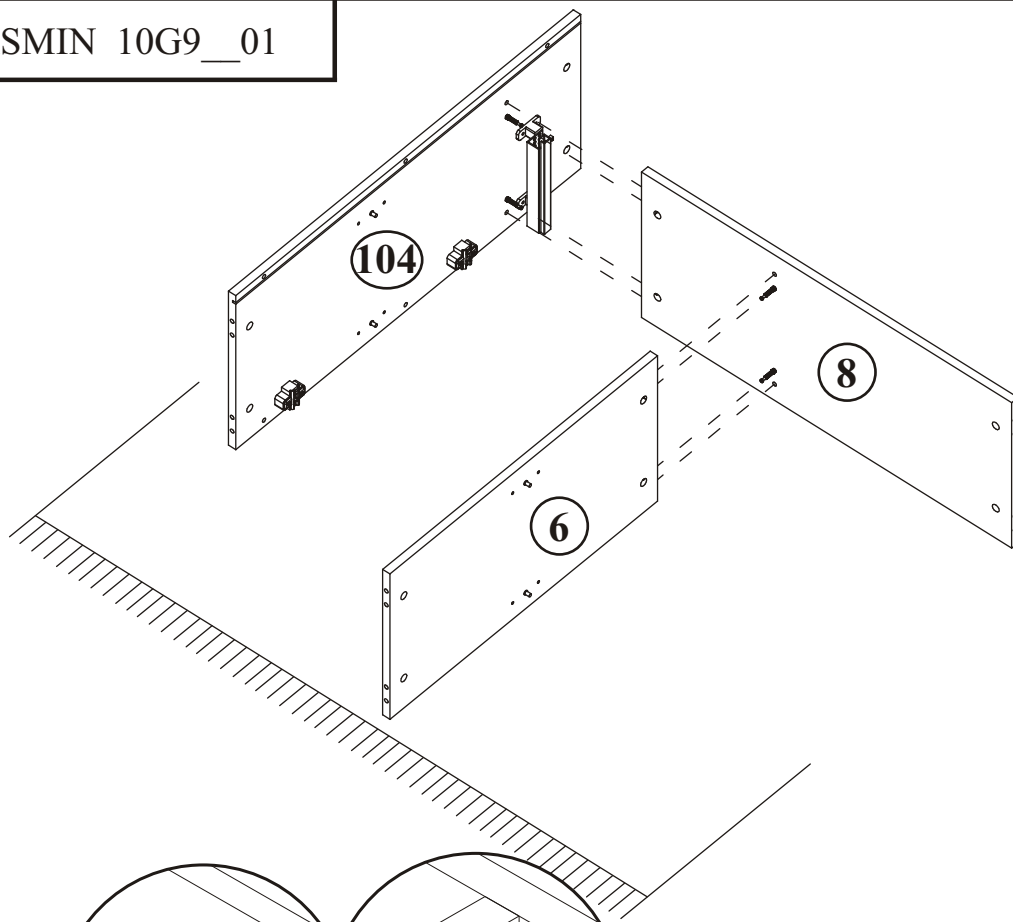



16

S1		UP6		UP13	
x2		x2	UPØ4x30	x4	UPØ3x16

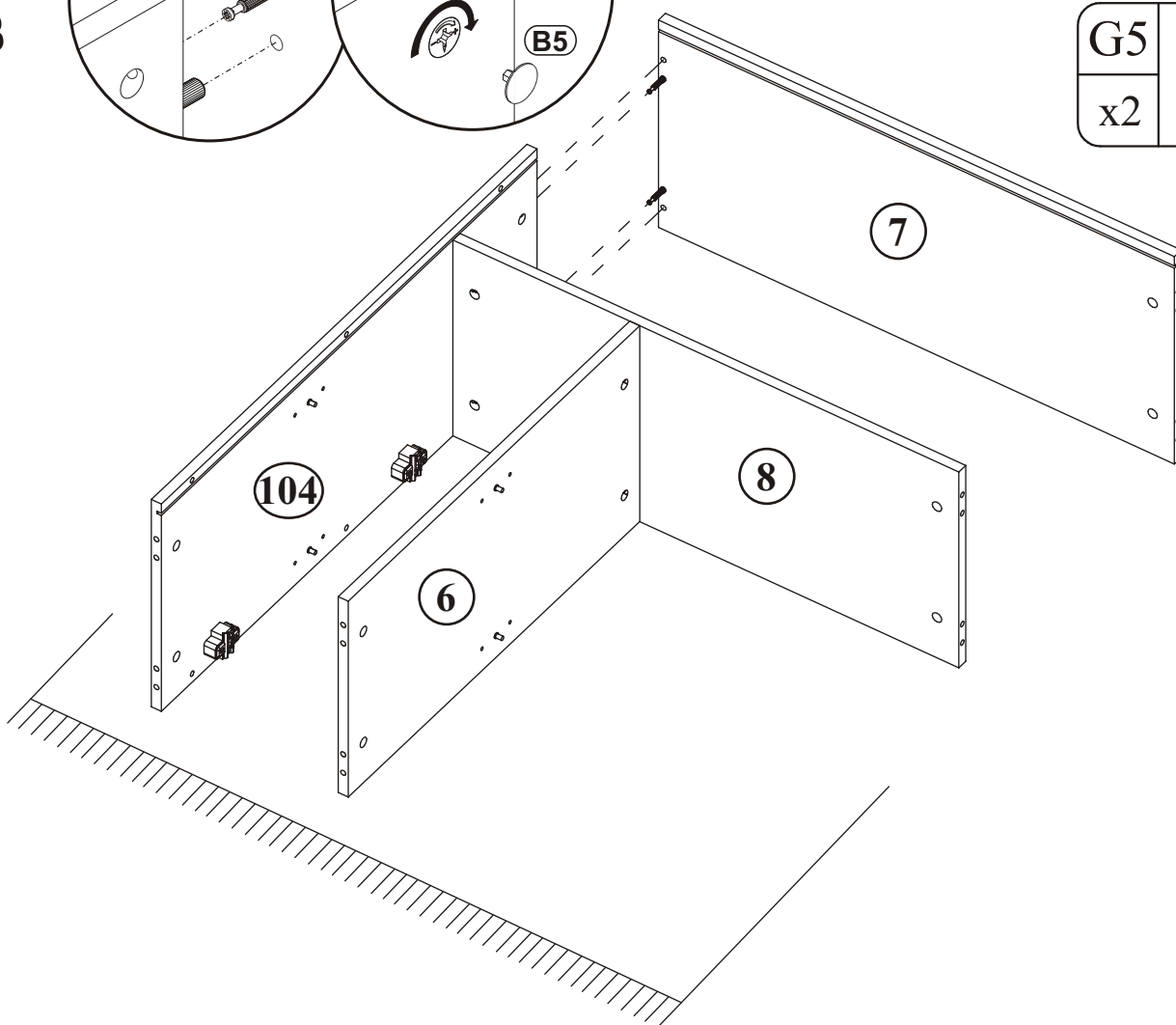
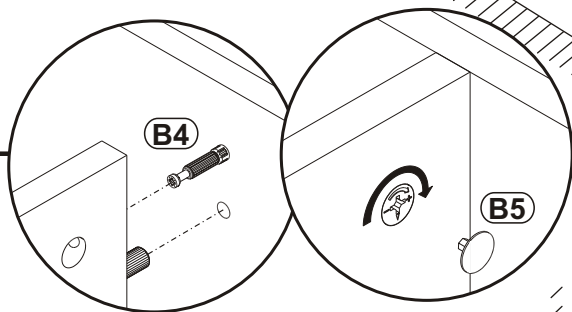



17




G5	
x4	

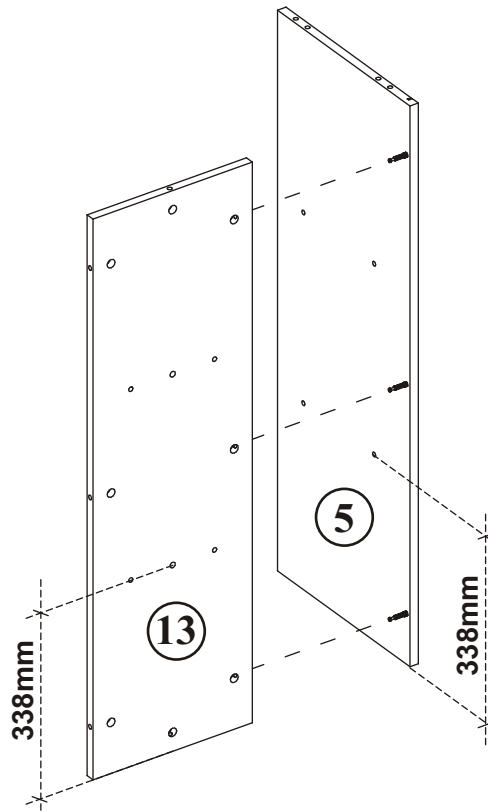
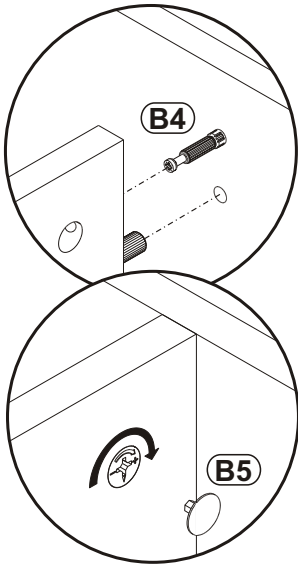
18



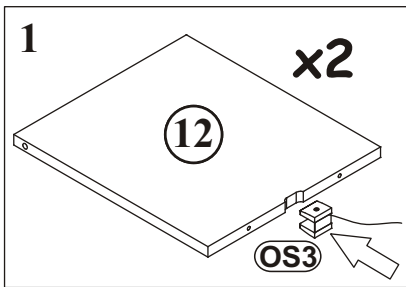
G5	
x2	

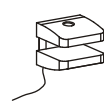
19


G5	
x3	

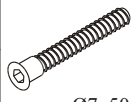


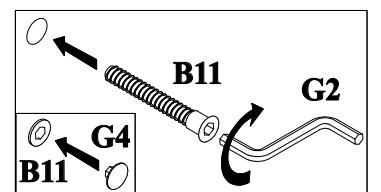
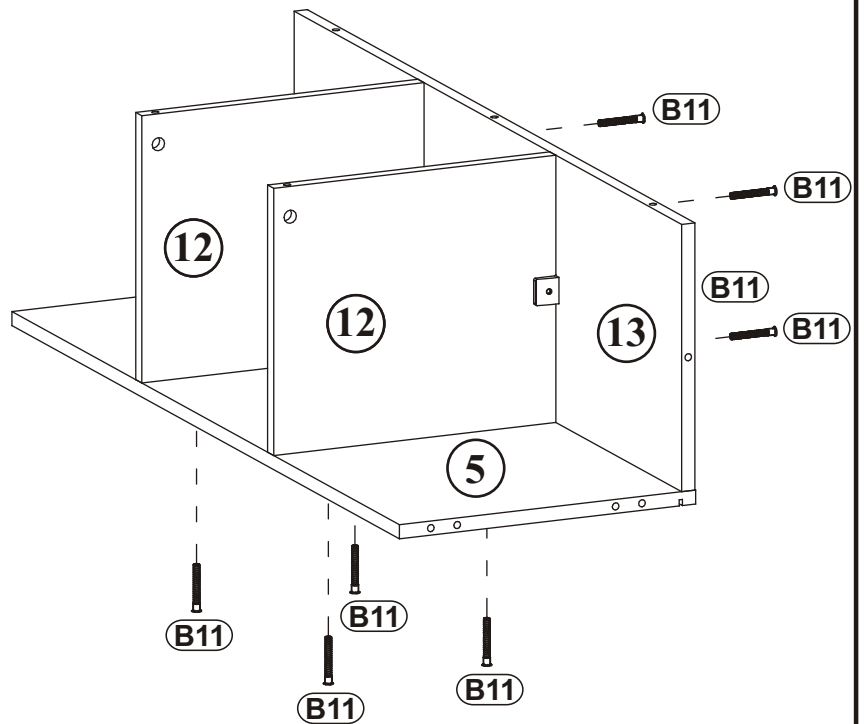
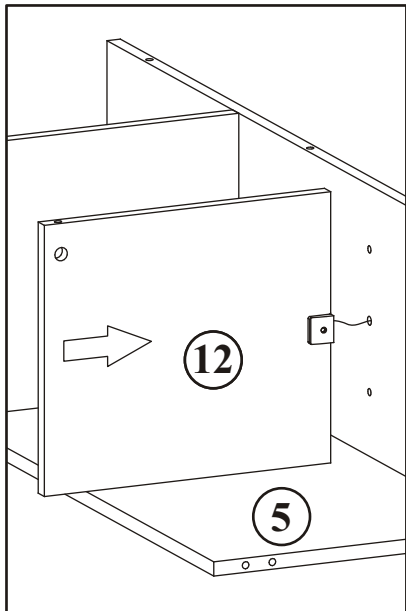
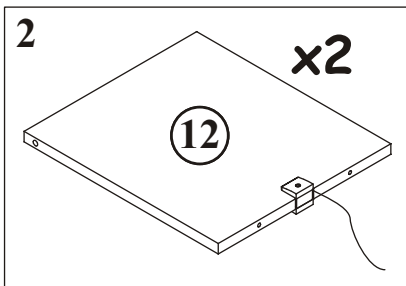
20




OS3	
x2	

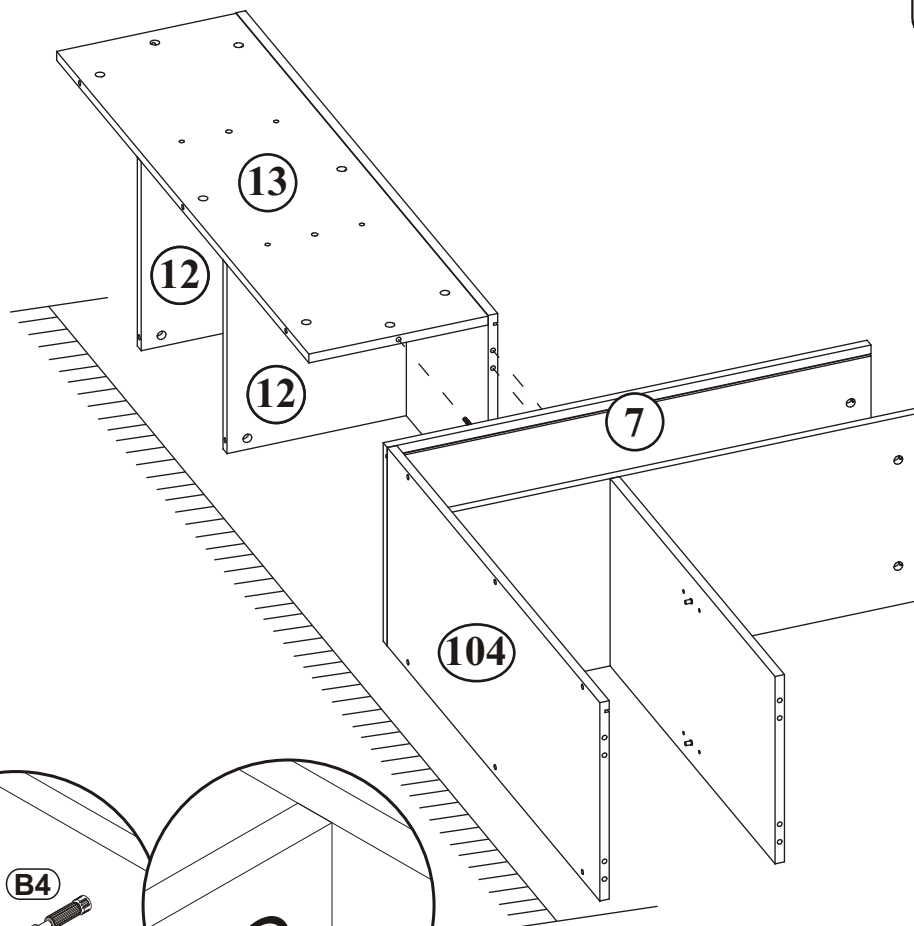
G4	
x8	

B11	
x8	Ø7x50




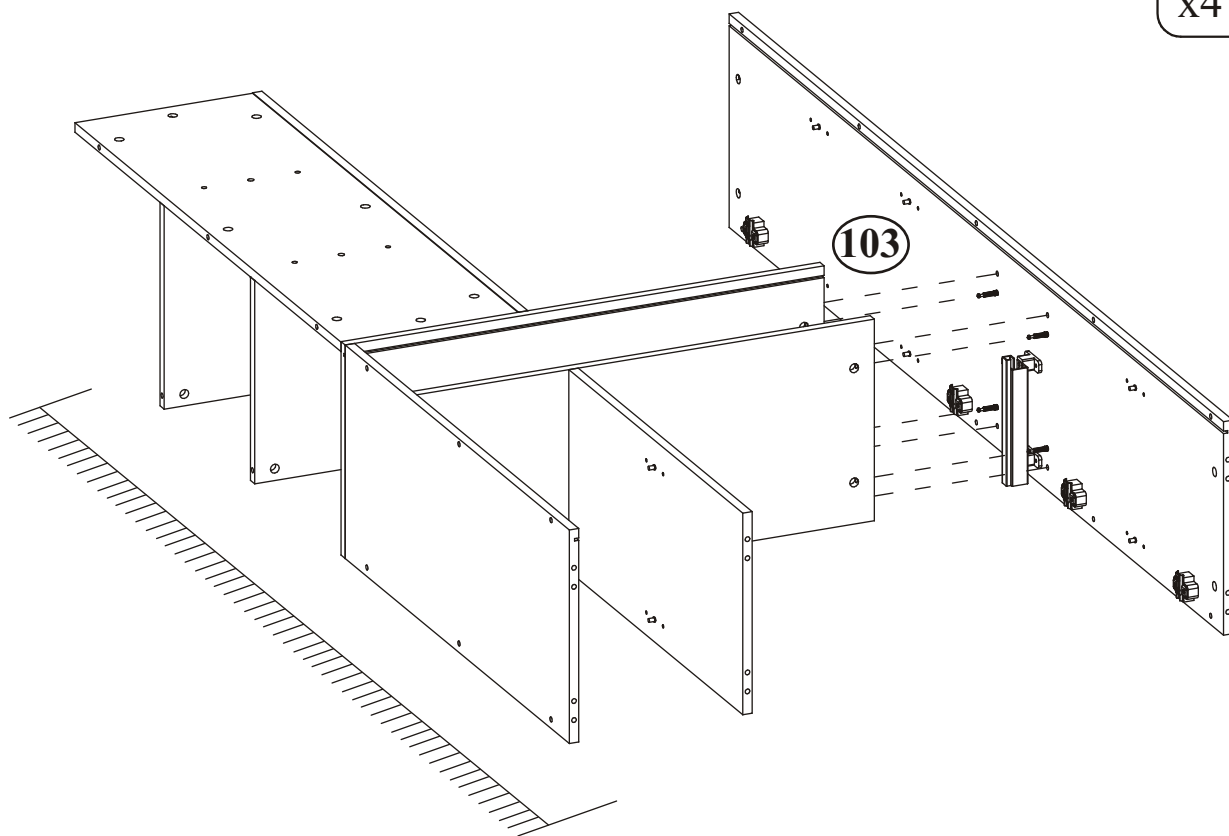
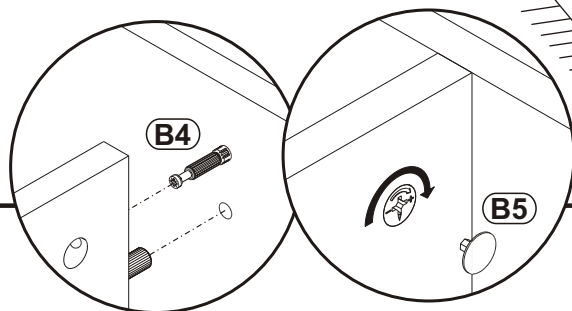
G5	
x3	

21





22


G5	
x4	

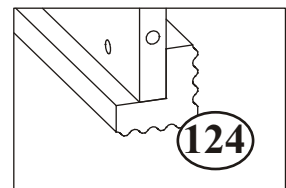
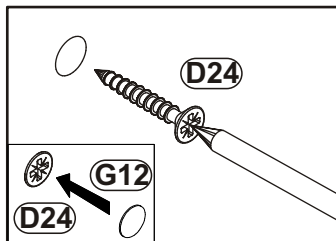
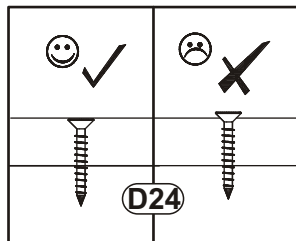
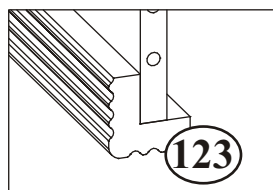
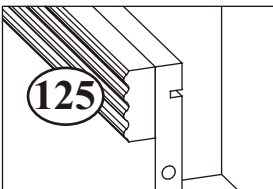
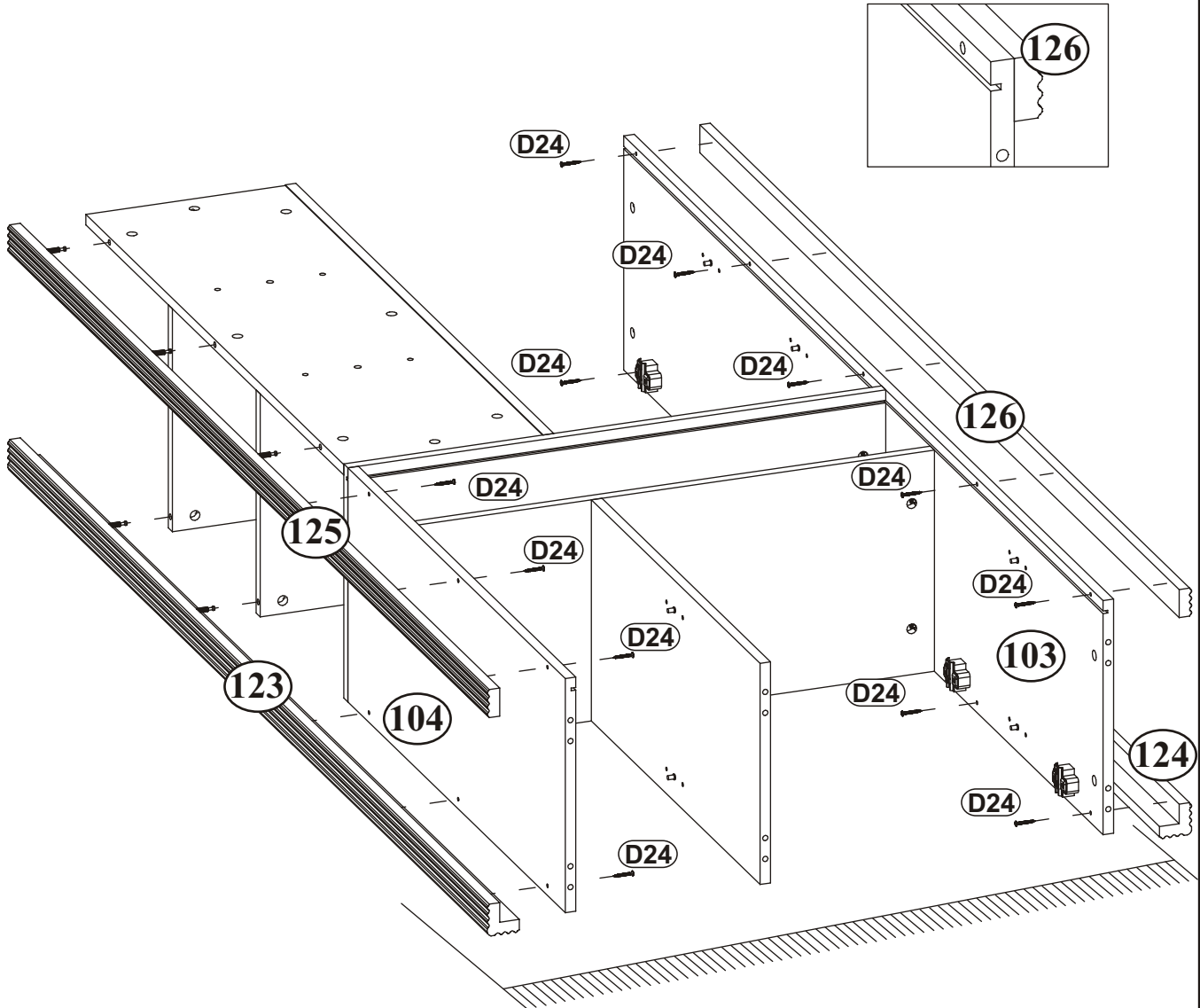


23

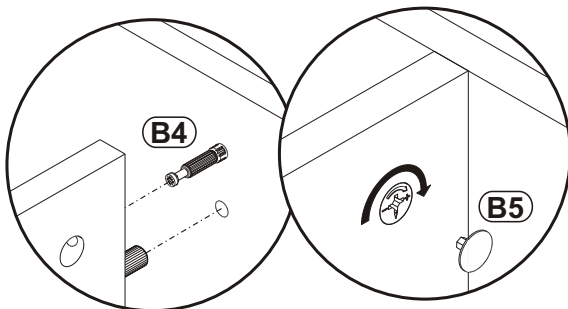
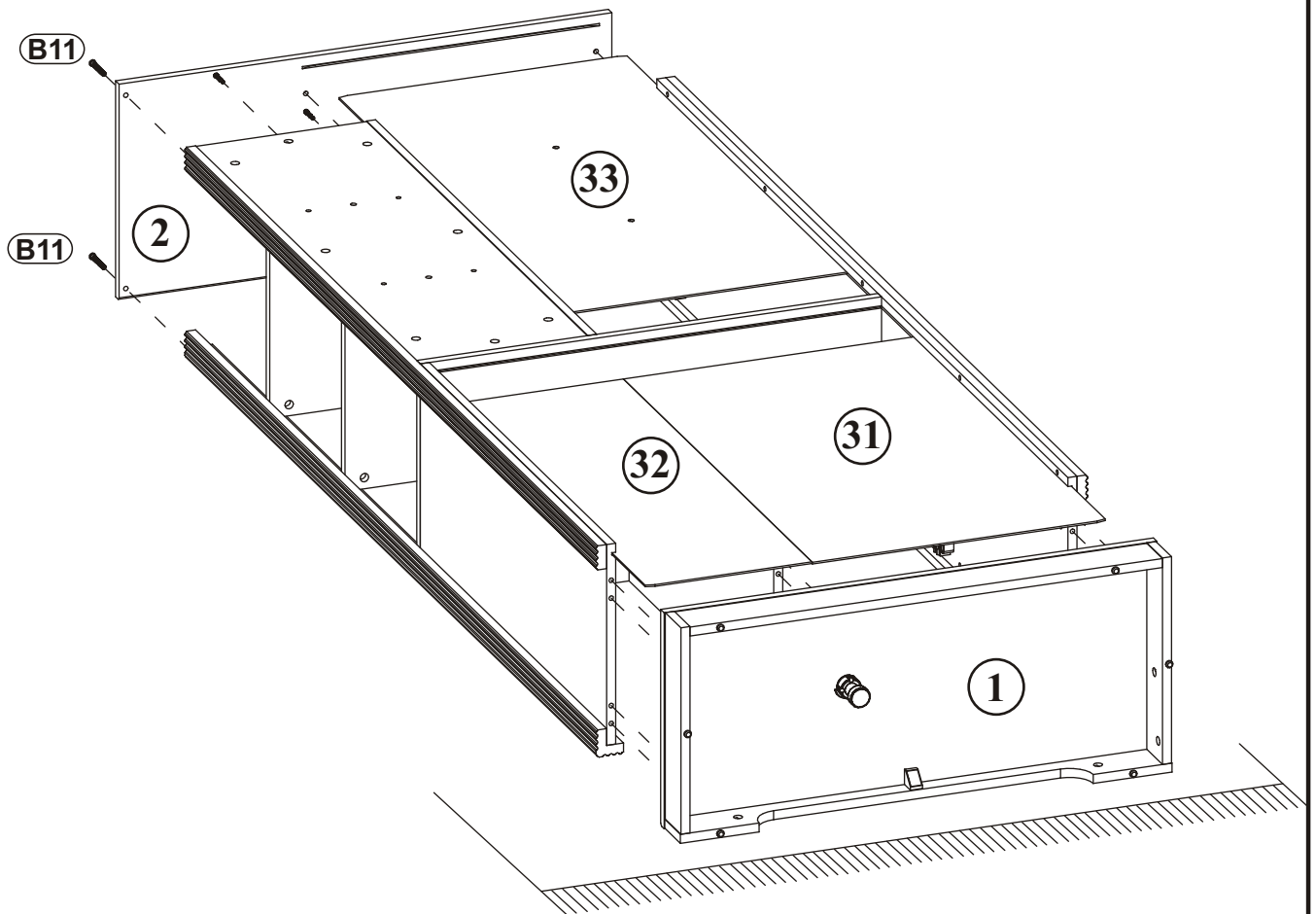
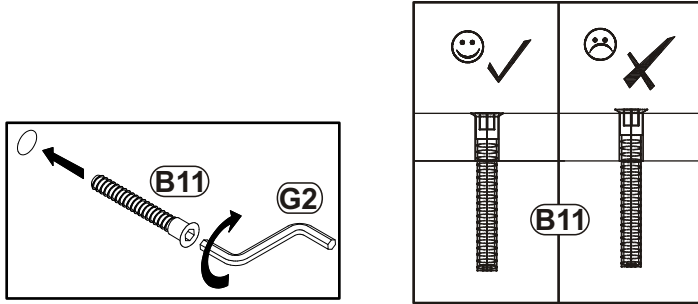
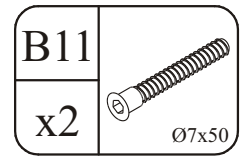
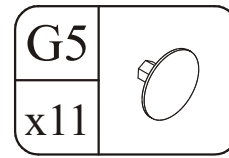
G12	
x16	Ø14

D24	
x16	USØ4x30

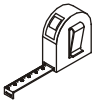
G5	
x5	



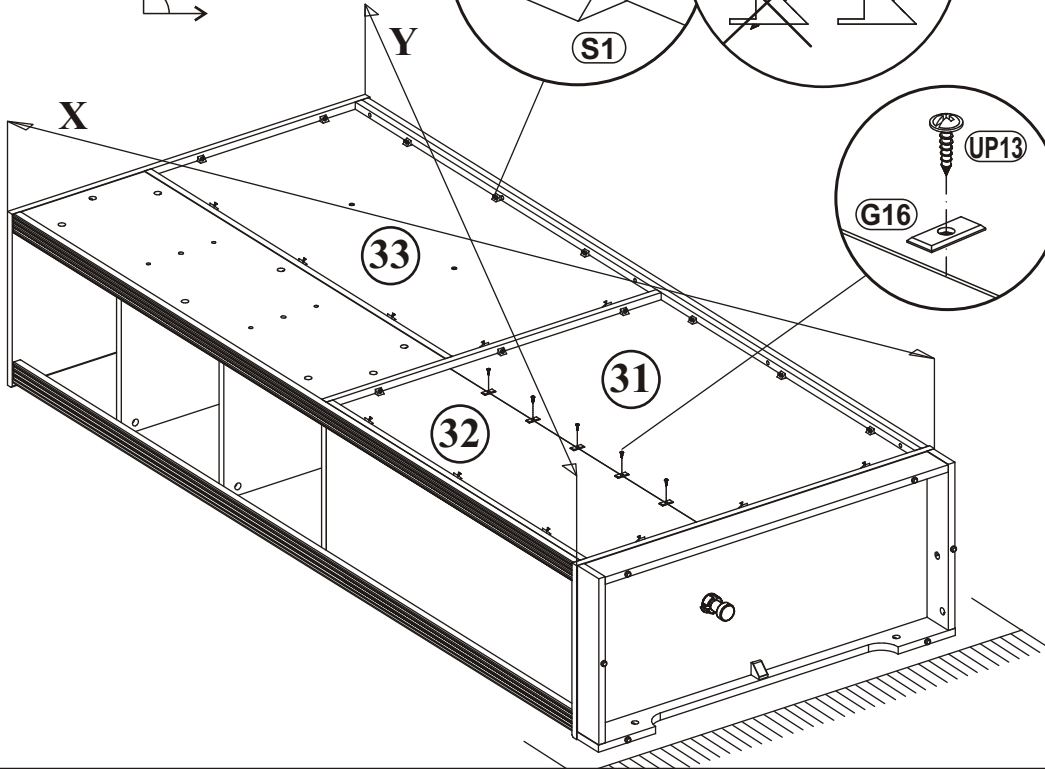
24



25



X=Y 90°

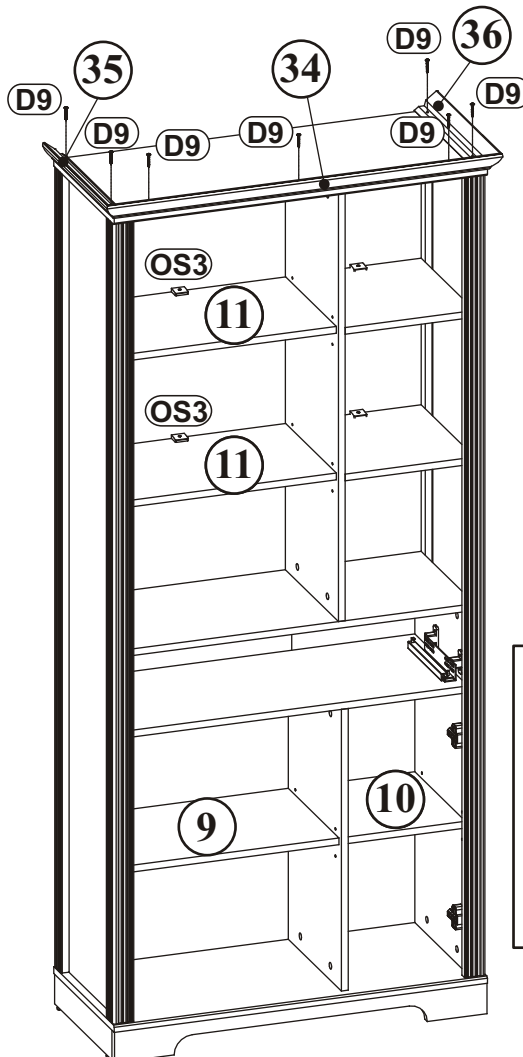
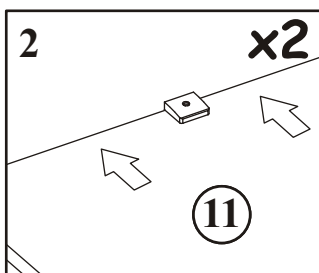
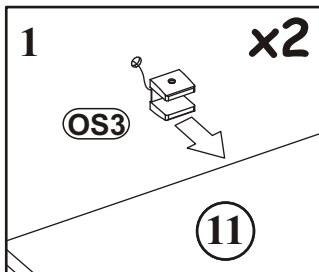
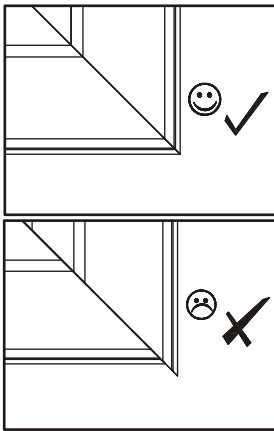


S1	
x22	

UP13	
x5	UPØ3x16

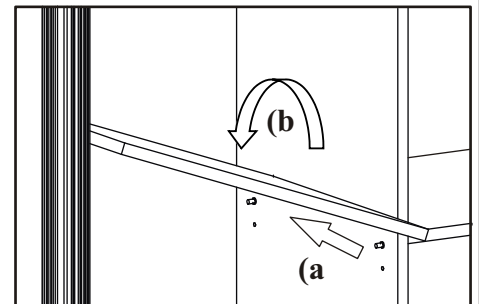
G16	
x5	

26

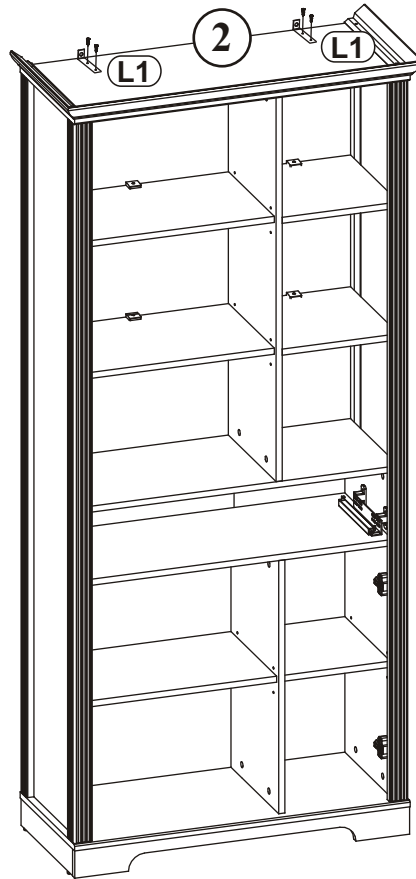
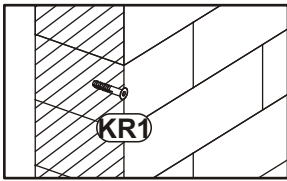
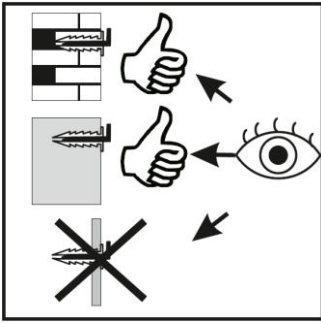
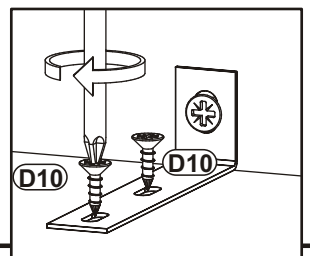
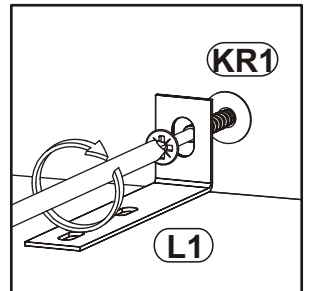
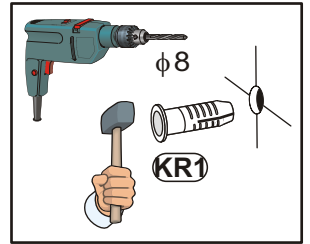
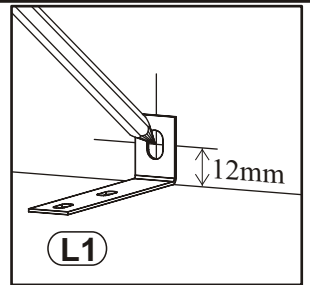
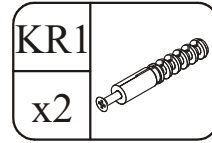
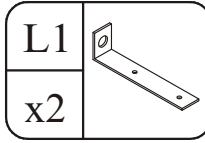
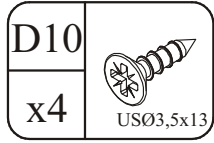


D9	
x7	USØ3x20

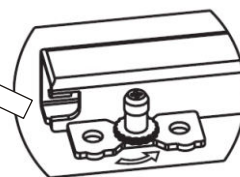
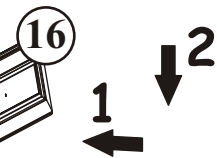
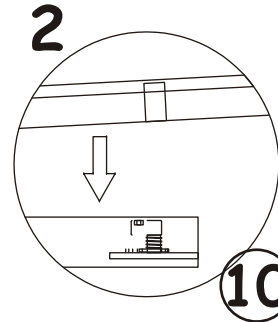
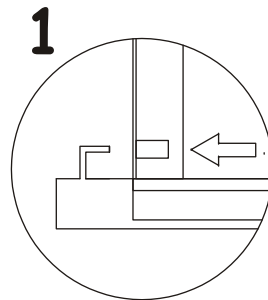
OS3	
x2	



27

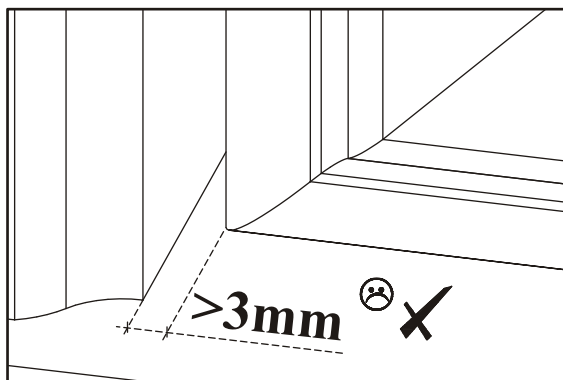
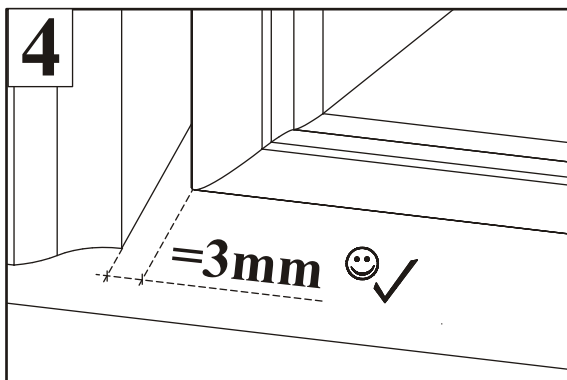
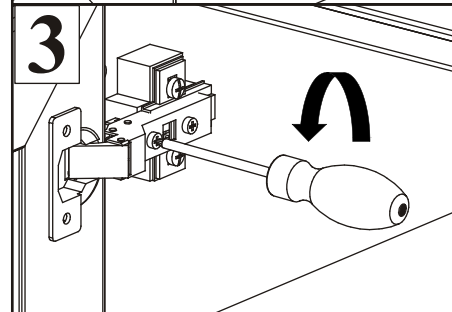
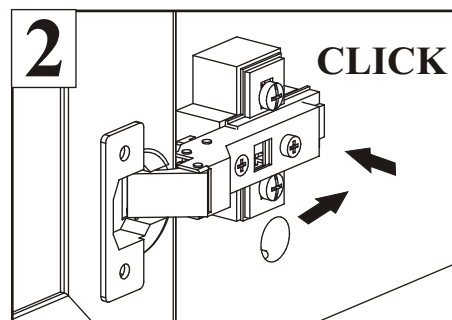
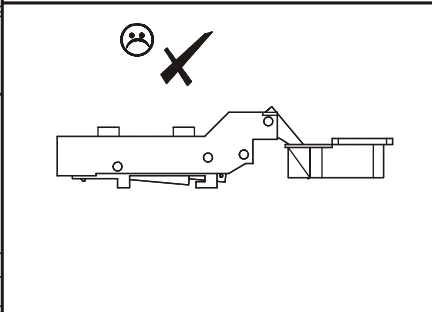
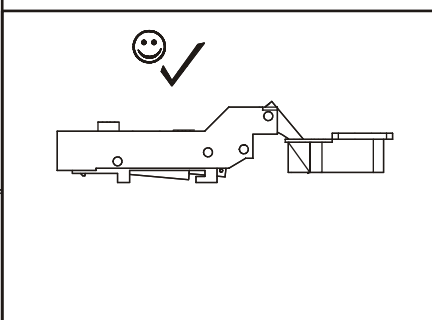
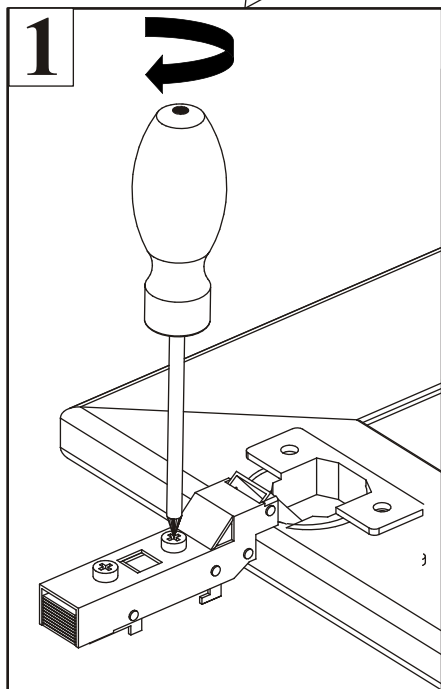
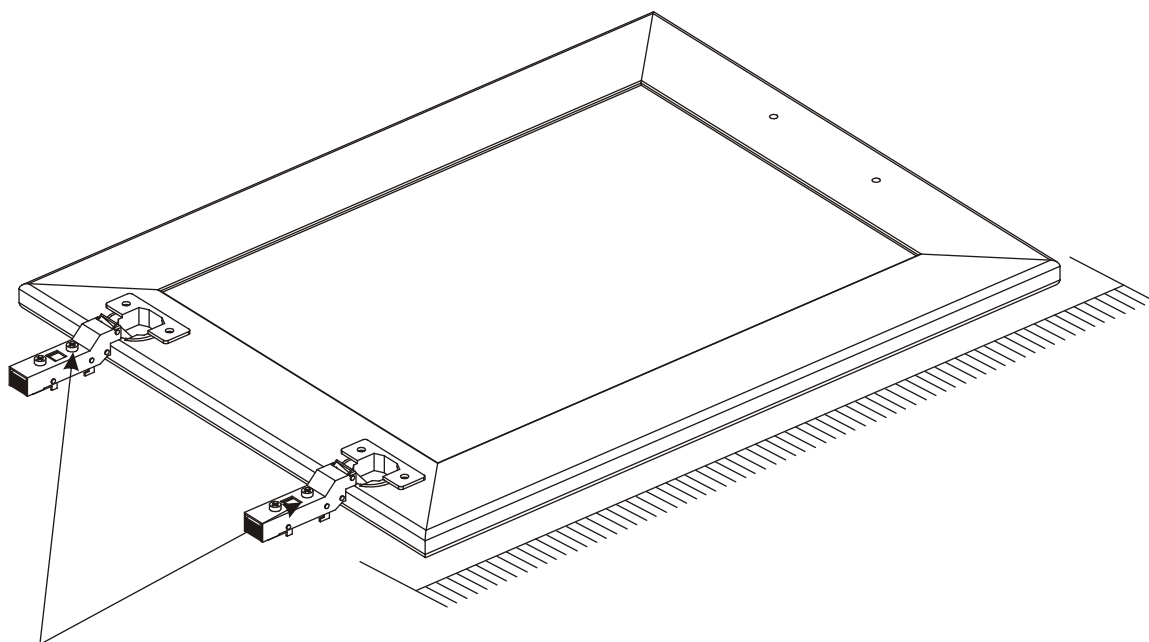


28

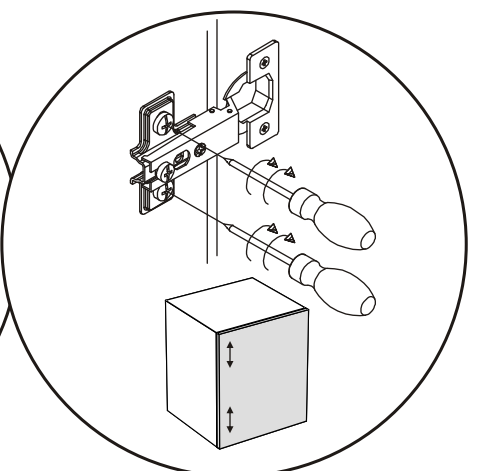
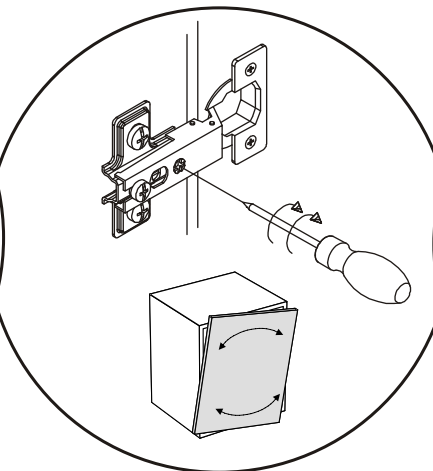
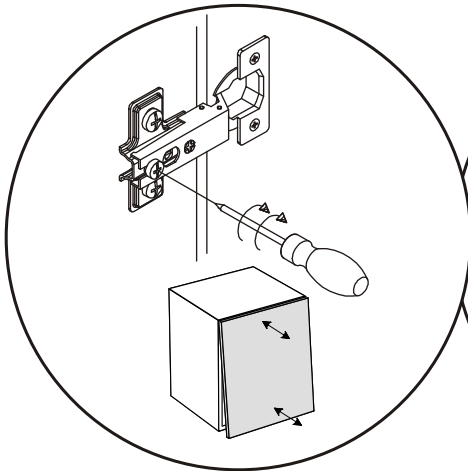
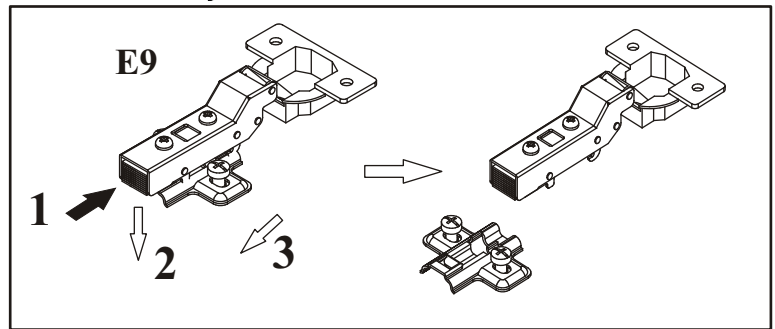
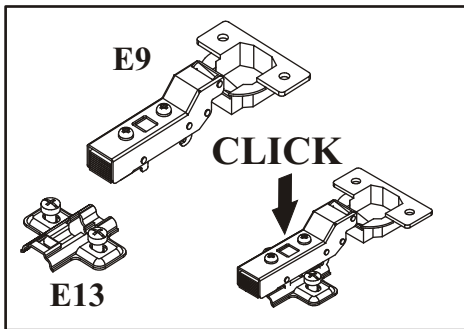
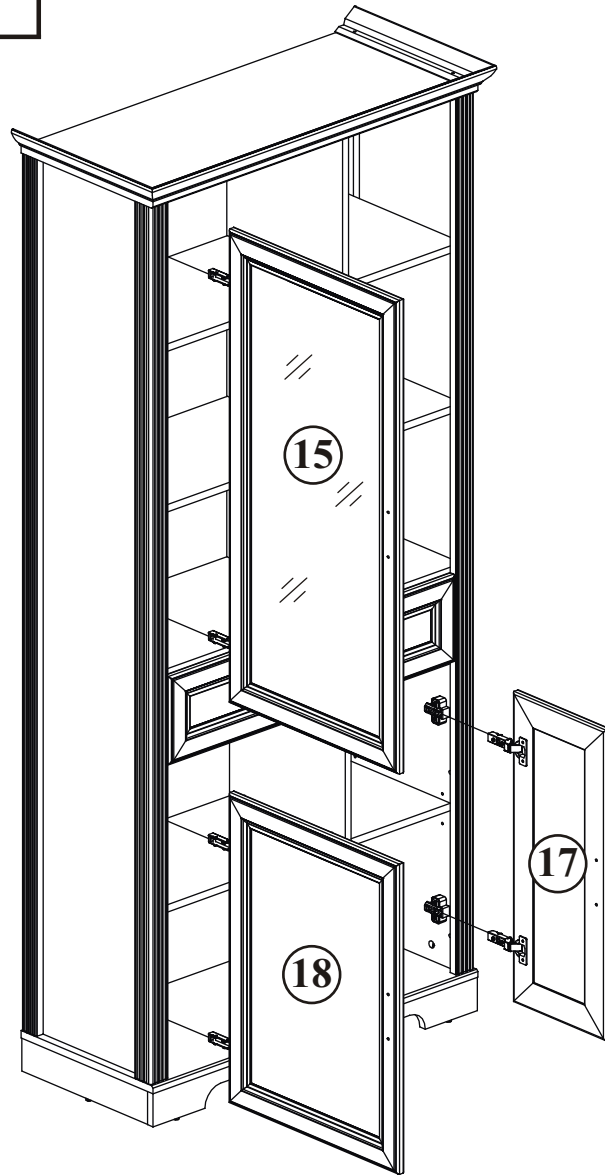


↑ +4 mm

29



30



31

