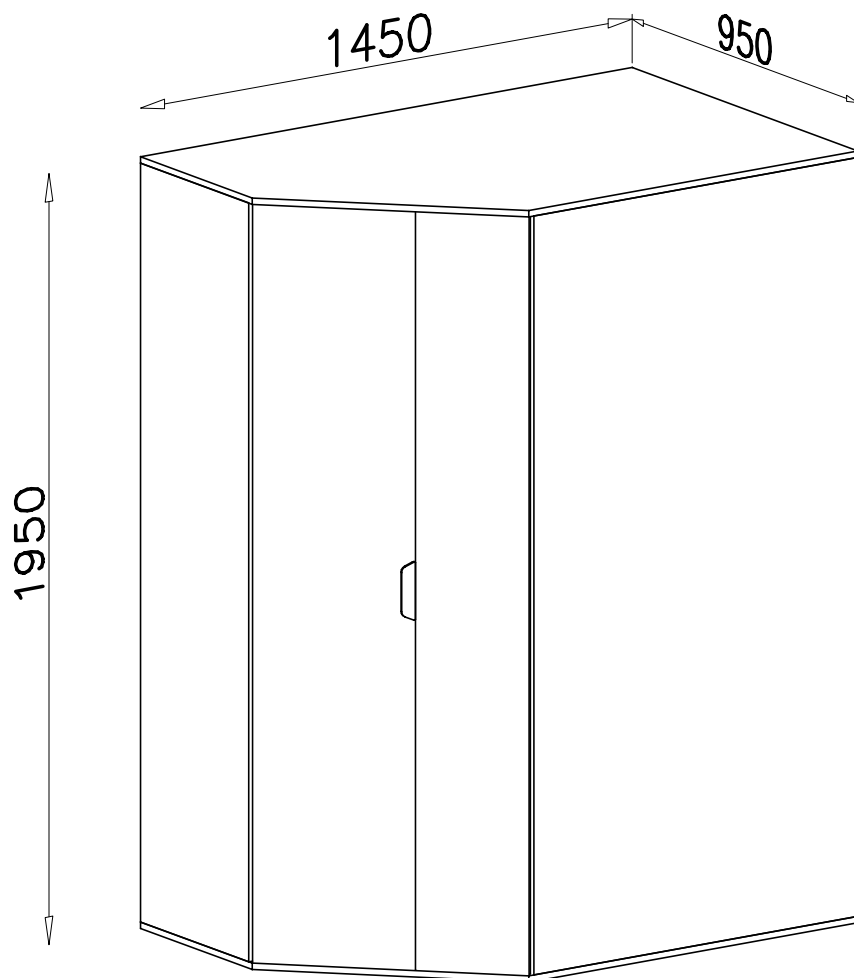
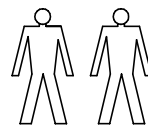
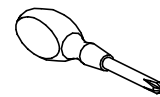
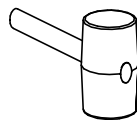
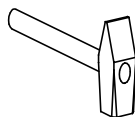
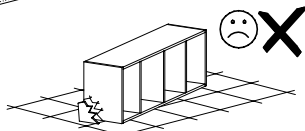
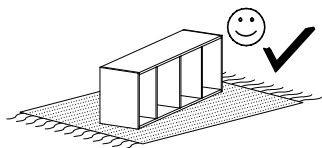


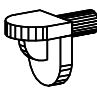
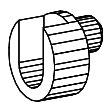


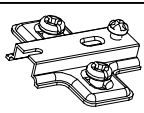
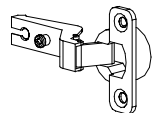
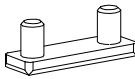
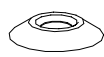





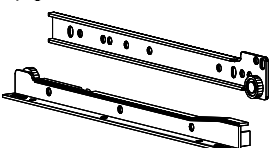



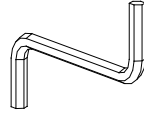


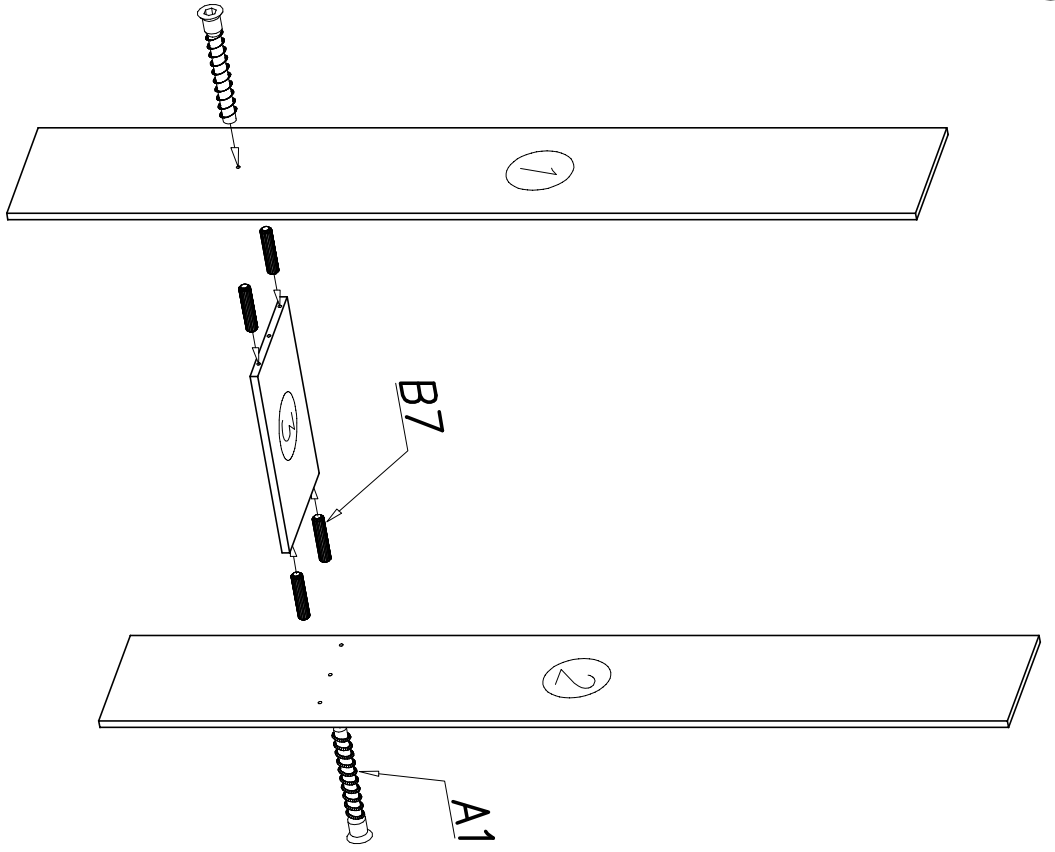
NANO

1

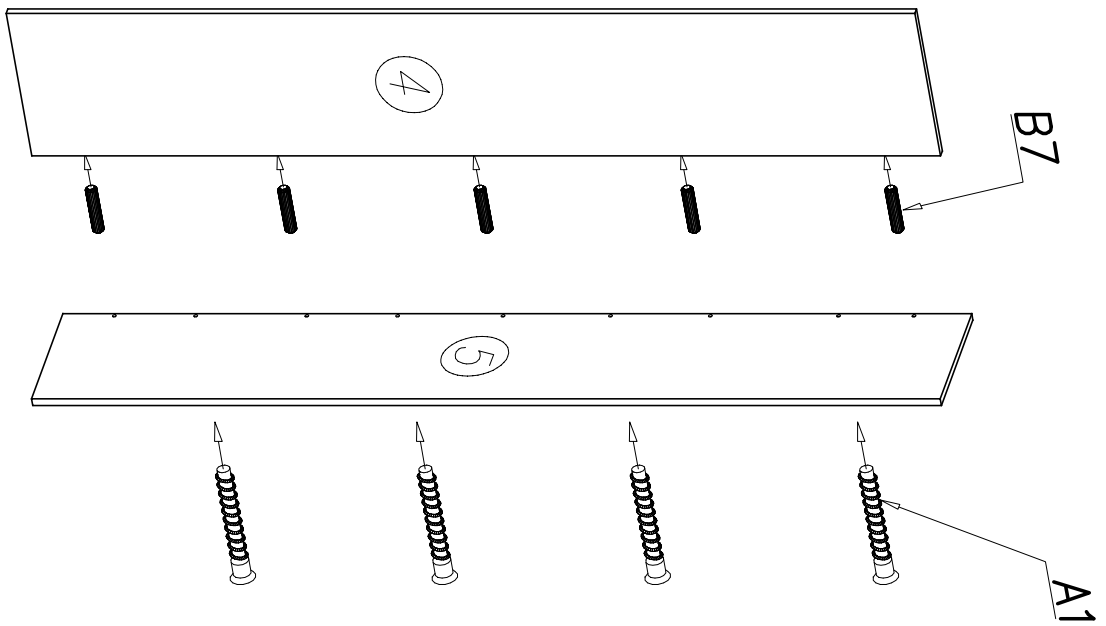


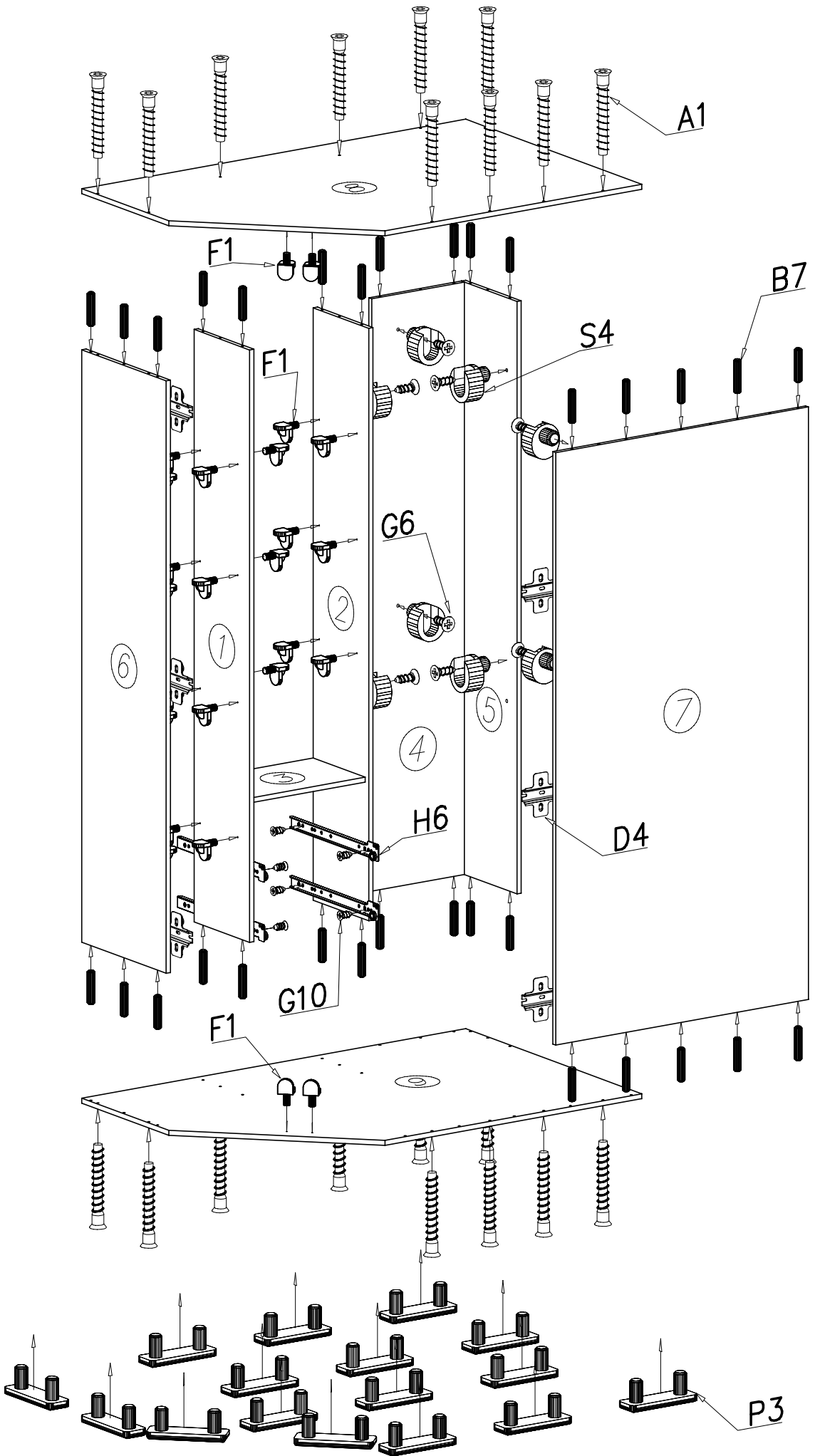
				G7  3x16 x25
G6  3x13 x8	F1  x32	S4  x8	S5b  904mm x2	S5a  536mm x2
D4  x6	C4  x6	P3  x16	S2  x13	G10  6x13 x8
W1  x3	G2  3x20 x70	E36  x3	G13  4x22 x6	H6  300mm x2
A1  7x50 x26	B7  8x30 x57	G4  4x16 x24	W2  x1	

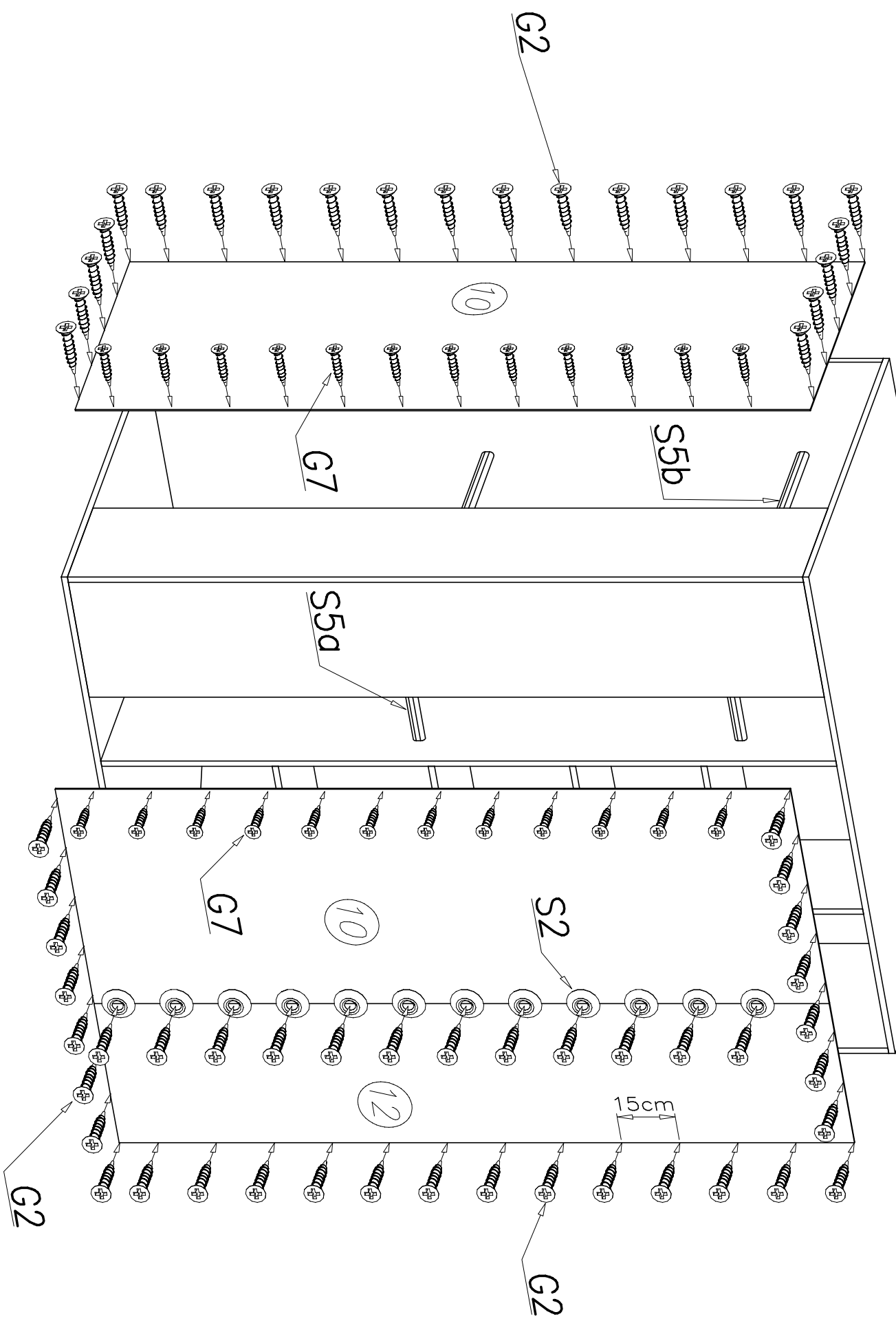
I



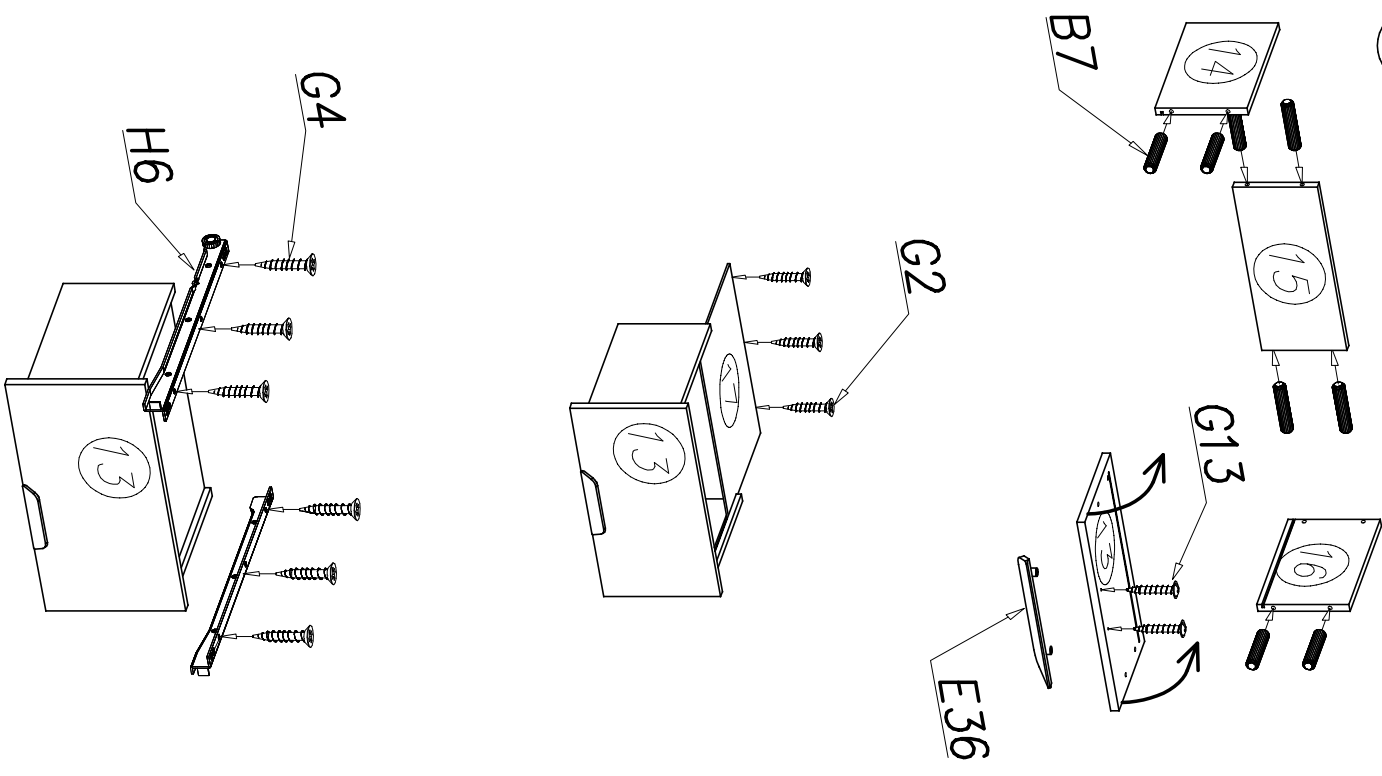
II







V



VI

