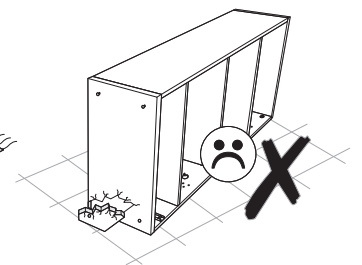
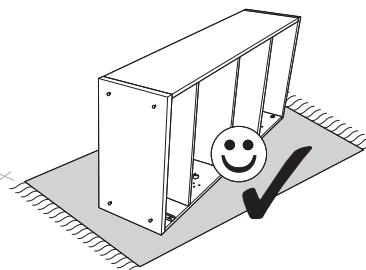
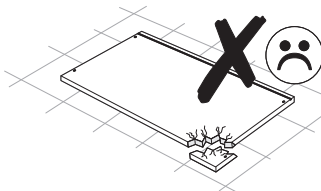
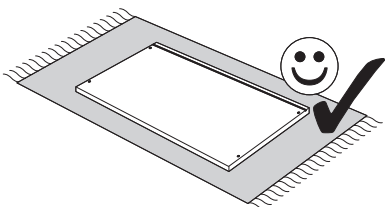
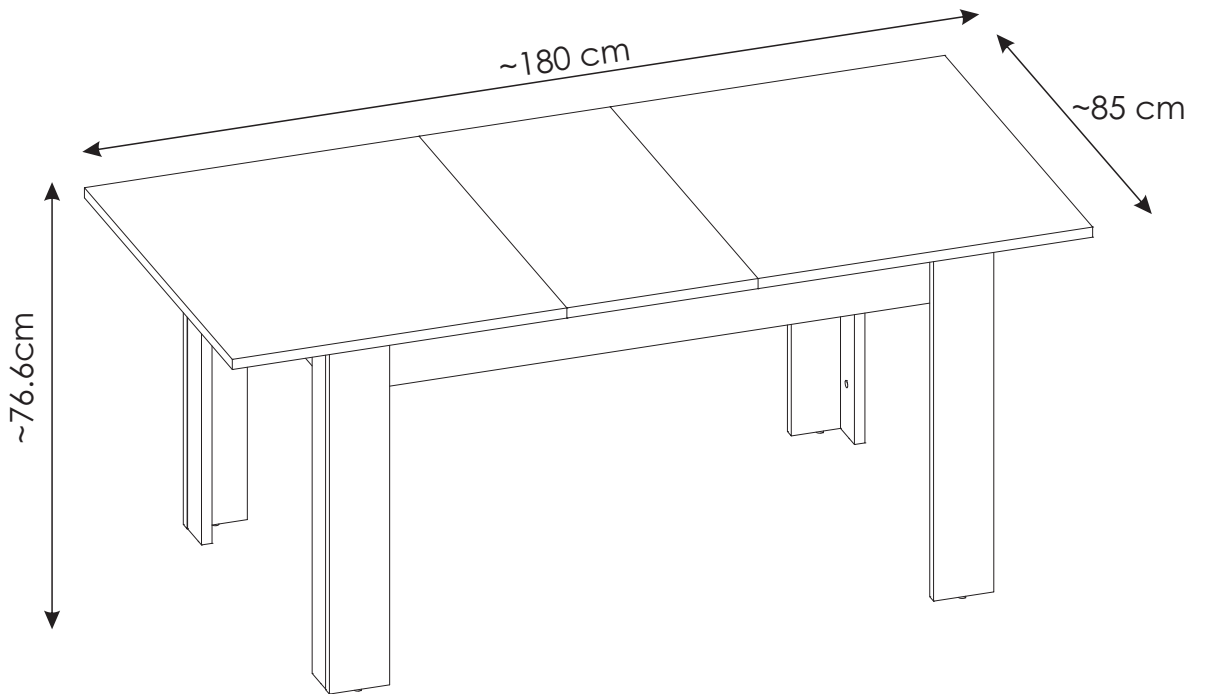
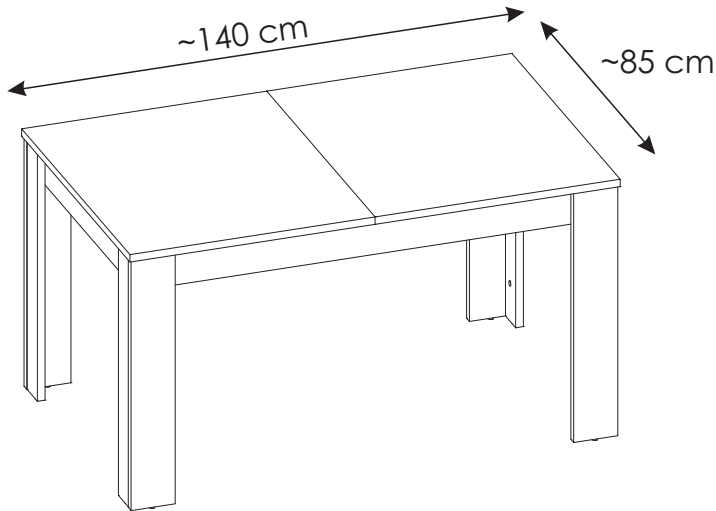
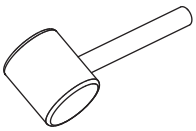
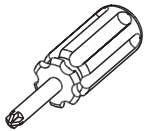
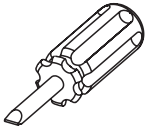
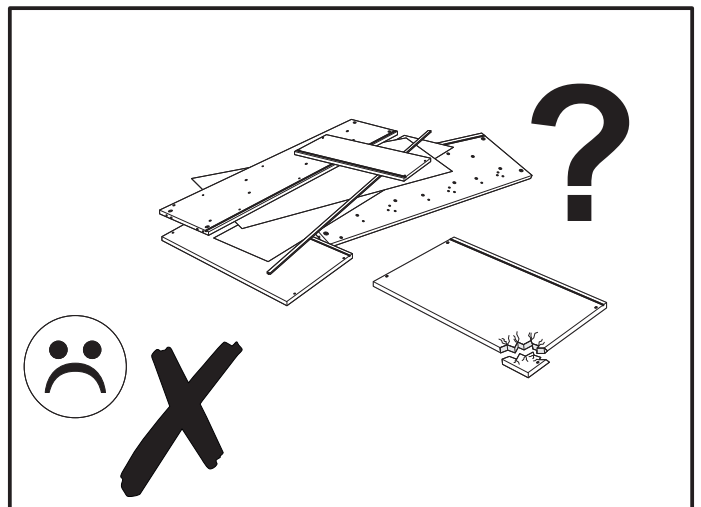
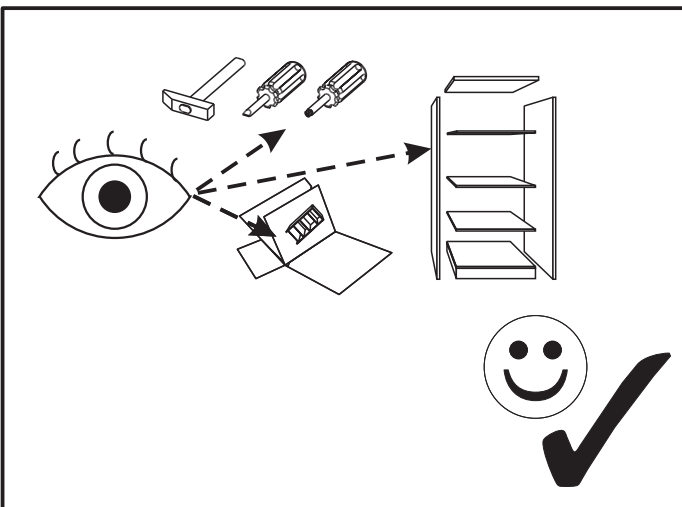
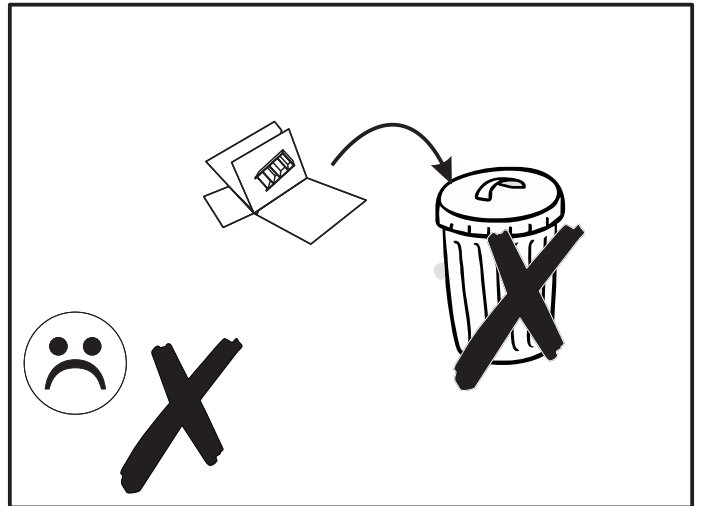
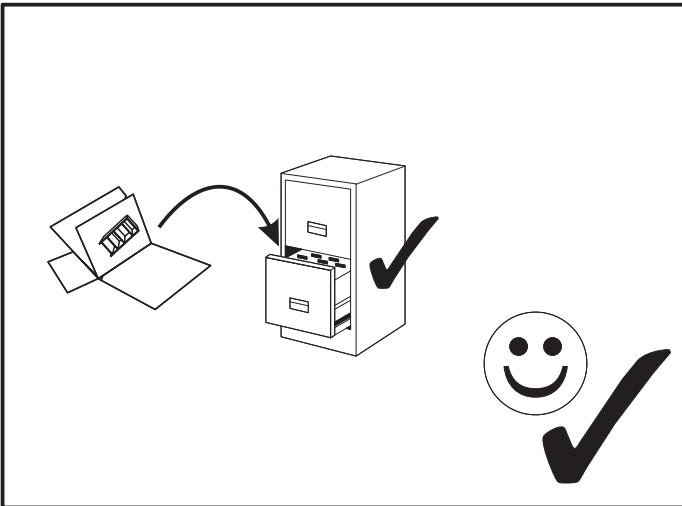
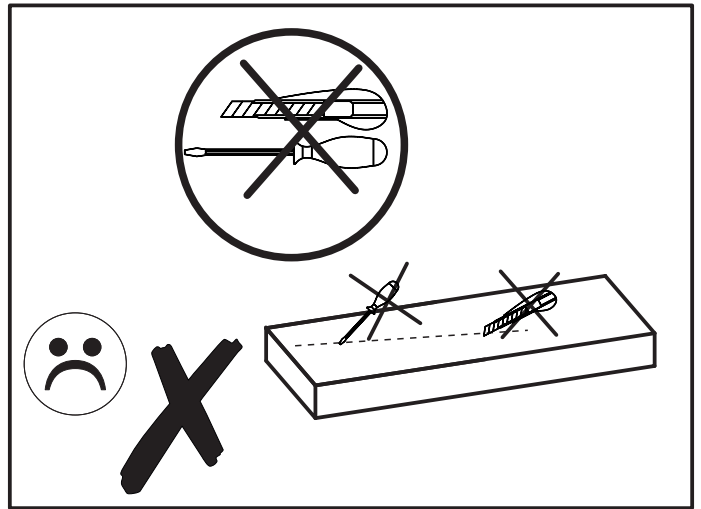
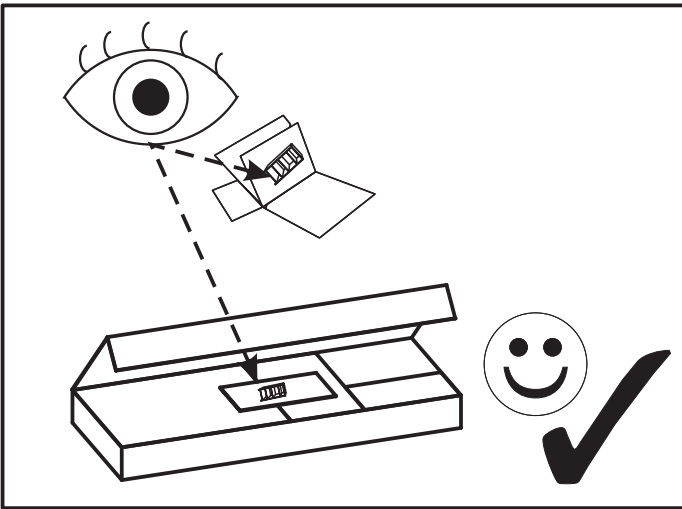


FRIT03





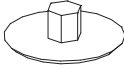

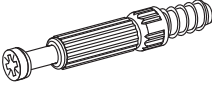


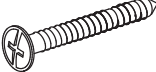
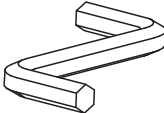
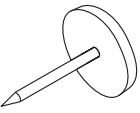
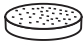
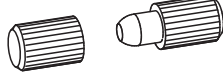
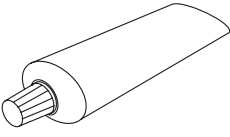
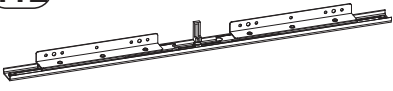
60 MIN

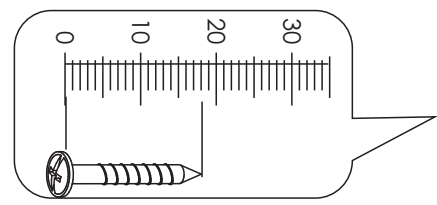
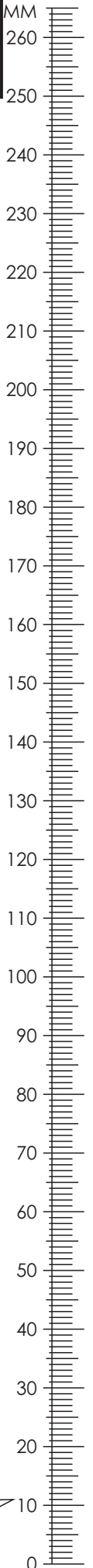




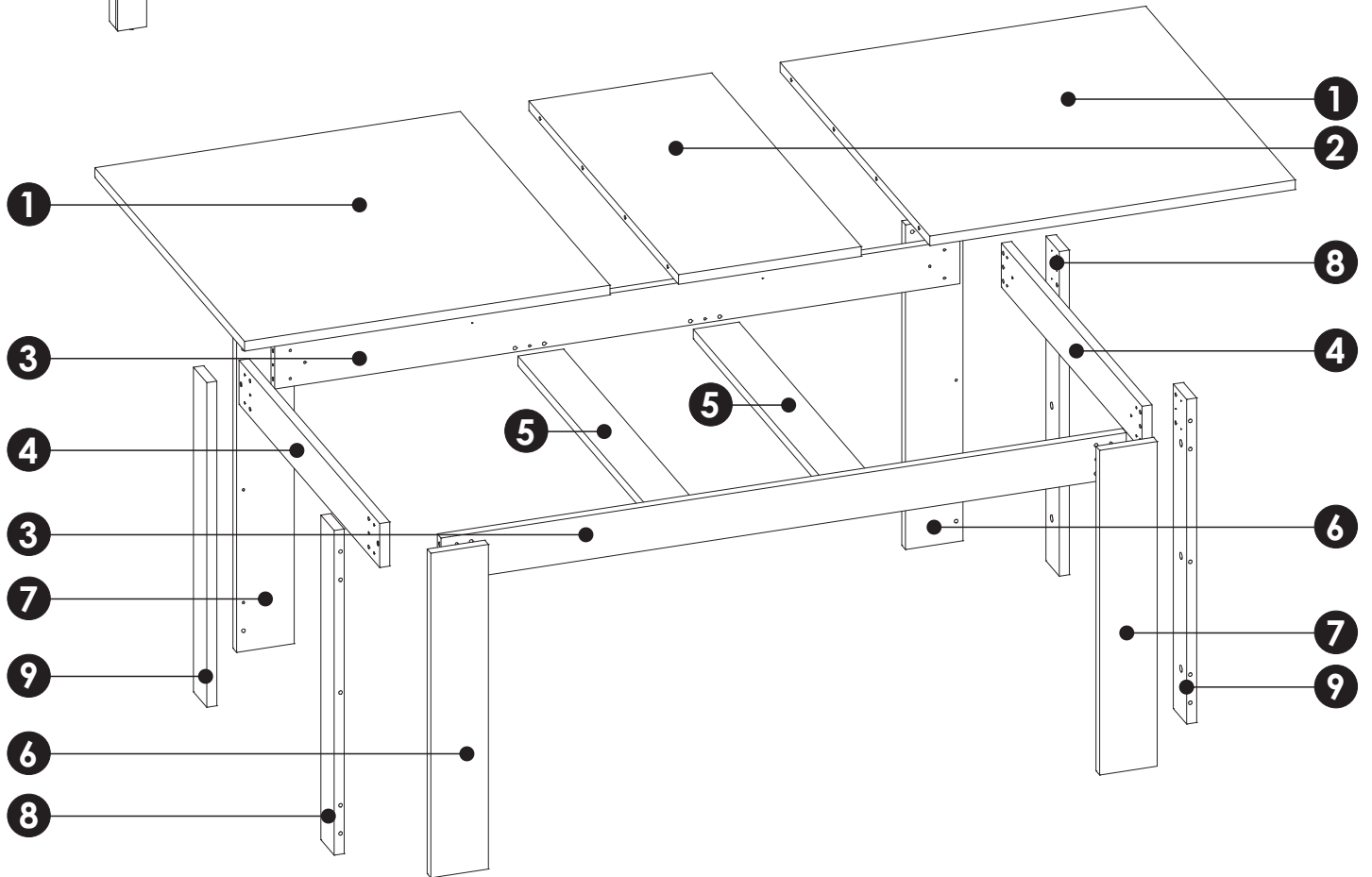
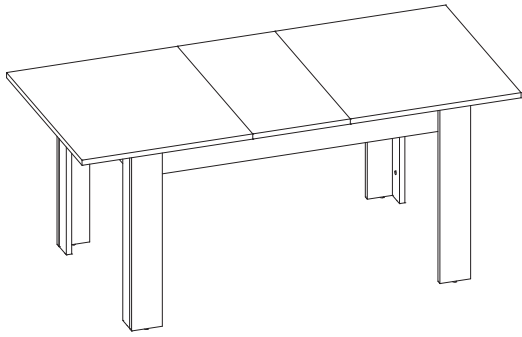
FRIT03

MM

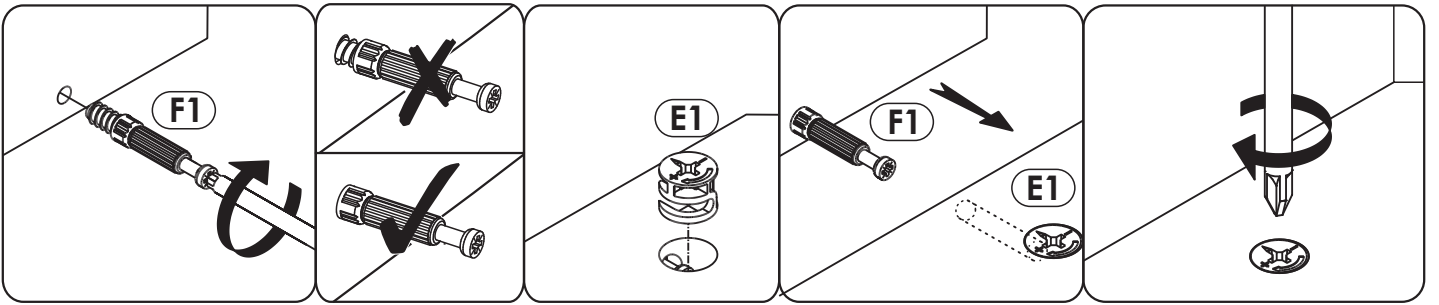
<p>A0 8 x 24 mm x16</p> 	<p>A1 8 x 35 mm x24</p> 	<p>E0 Ø16 x16</p> 
<p>E1 15 x 12 mm x16</p> 	<p>F1 6 x 34 mm x16</p> 	<p>G2 7 x 60 mm x4</p> 
<p>I8 4 x 20 mm x40</p> 	<p>I14 4 x 40 mm x24</p> 	<p>M x1</p> 
<p>O2 x8</p> 	<p>O2A ø20 x8</p> 	<p>R8 x8</p> 
<p>S x1</p> 	<p>T12 L - 700 mm x2</p> 	



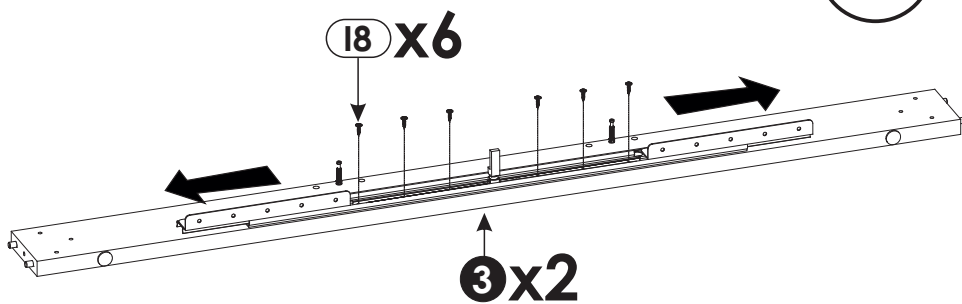
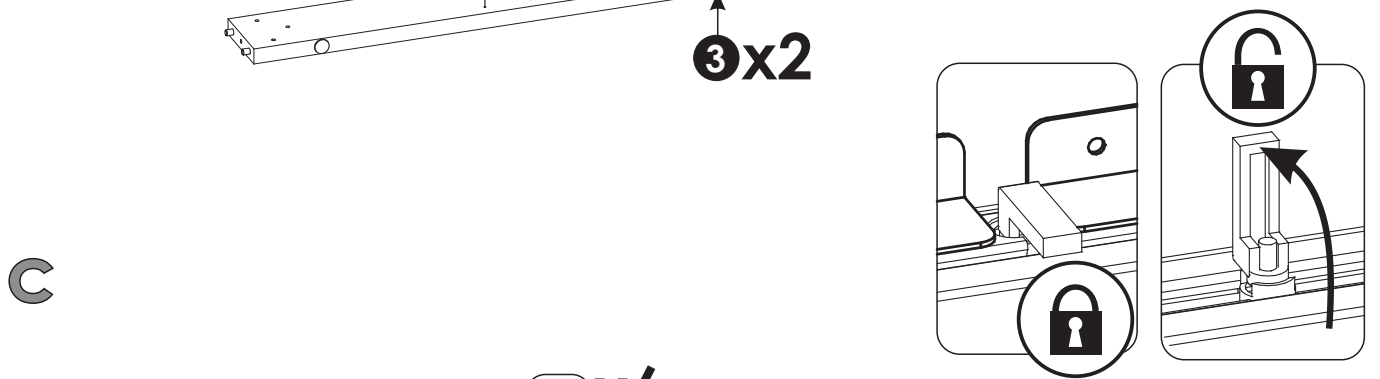
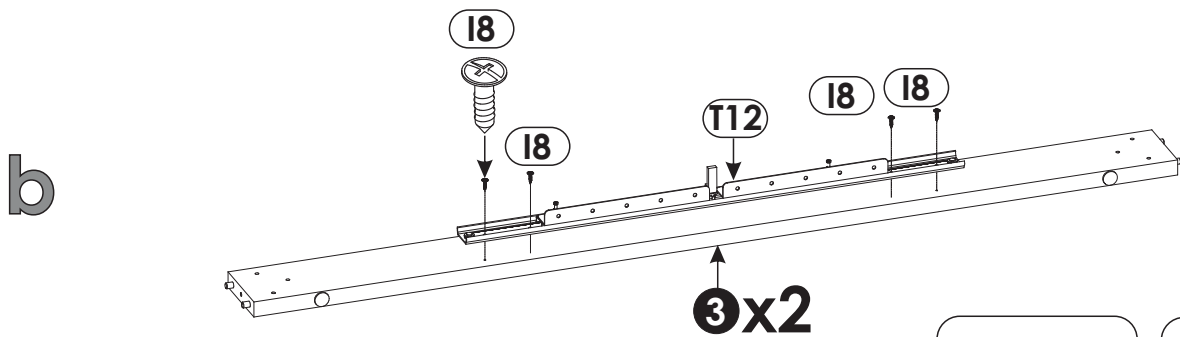
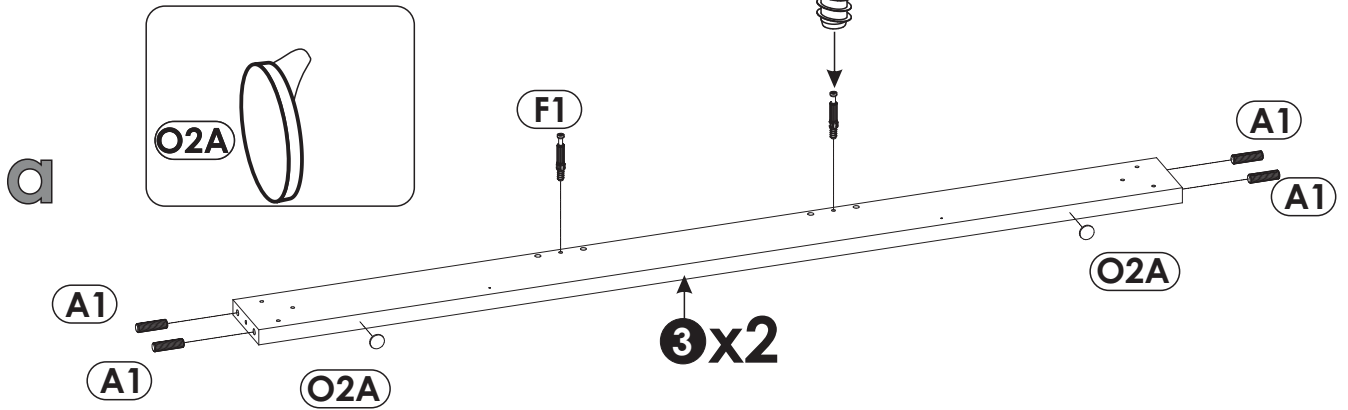
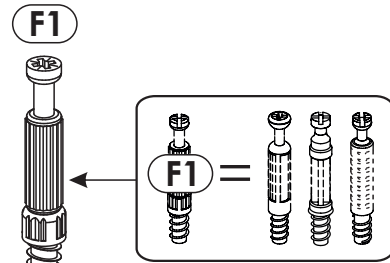
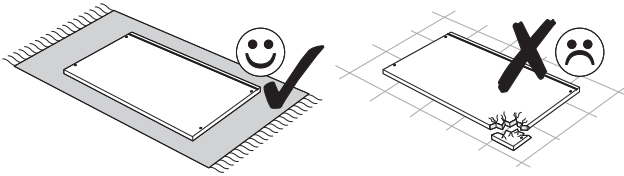
FRIT03



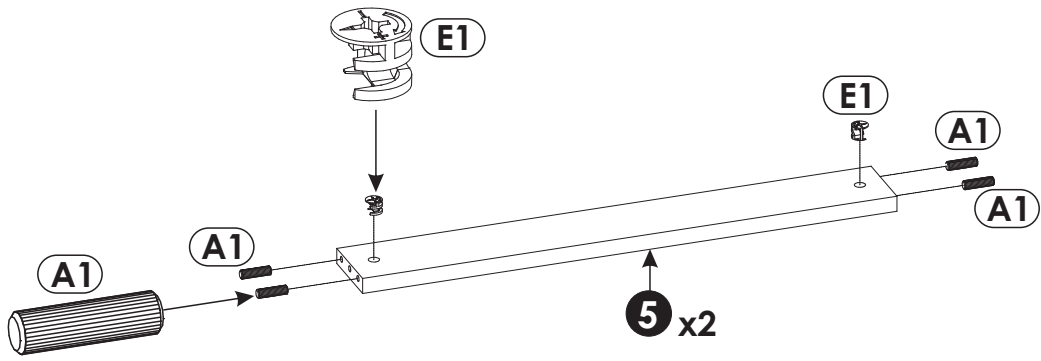
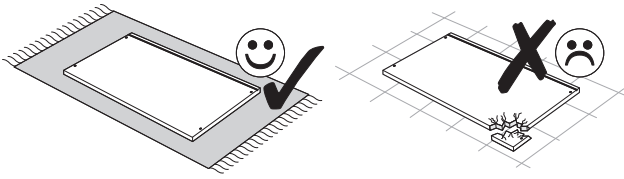
1	850	700	22	x2	2/2
2	850	400	22	x1	2/2
3	1300	100	22	x2	1/2
4	796	100	22	x2	1/2
5	752	100	22	x2	2/2
6	737	126	22	x2	1/2
7	737	126	22	x2	1/2
8	737	80	22	x2	1/2
9	737	80	22	x2	1/2



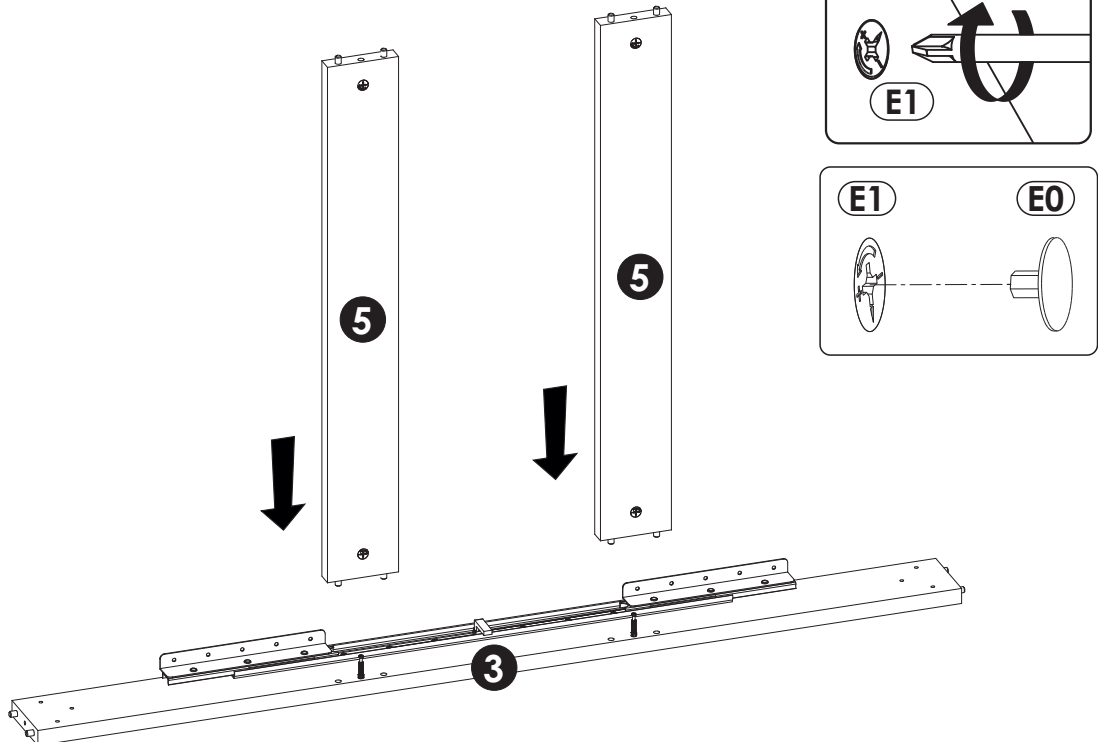
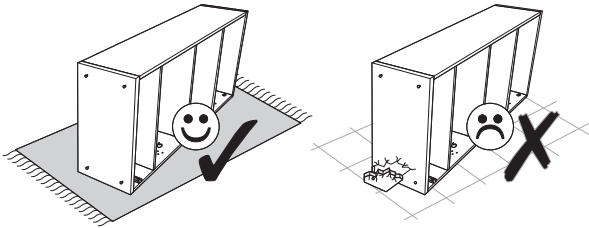
1 ▶



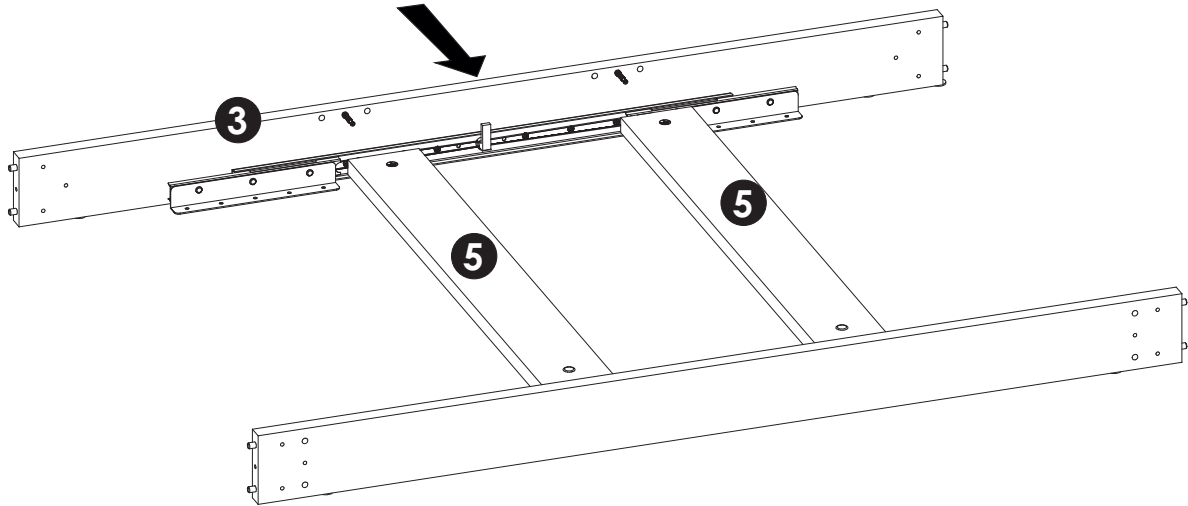
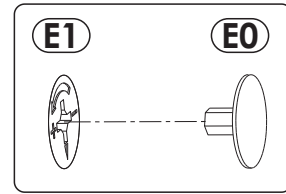
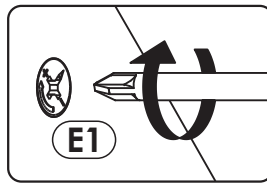
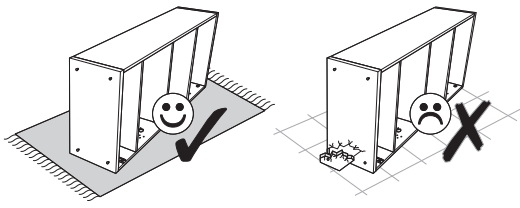
2▶



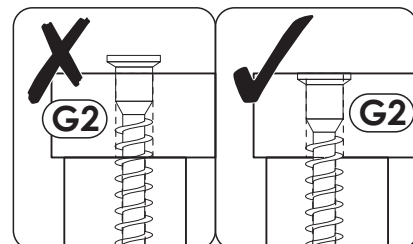
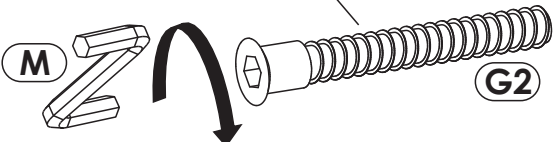
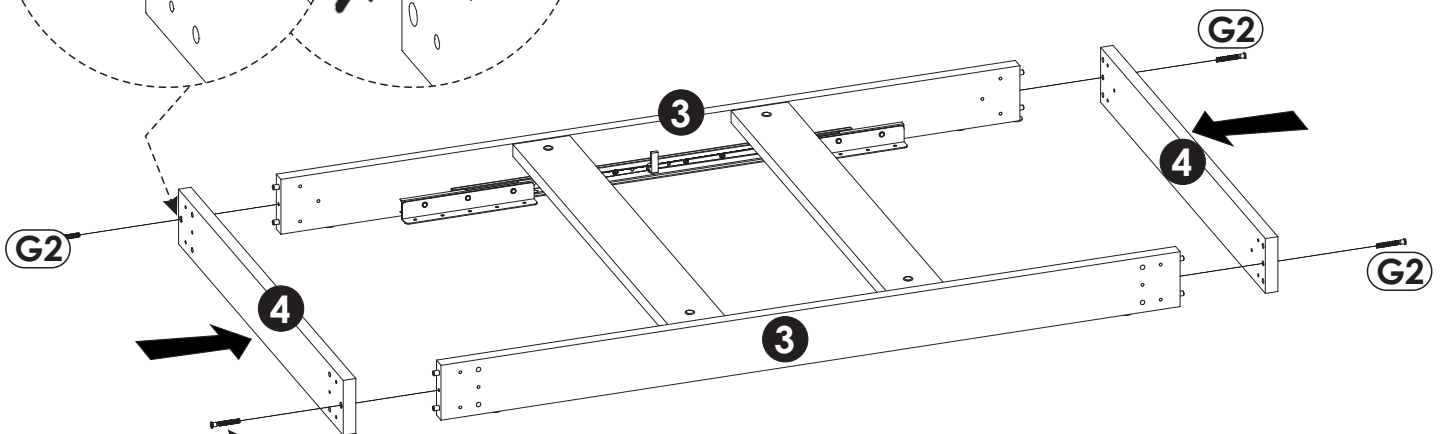
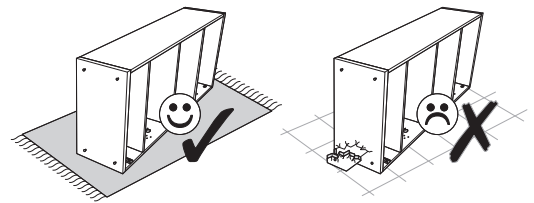
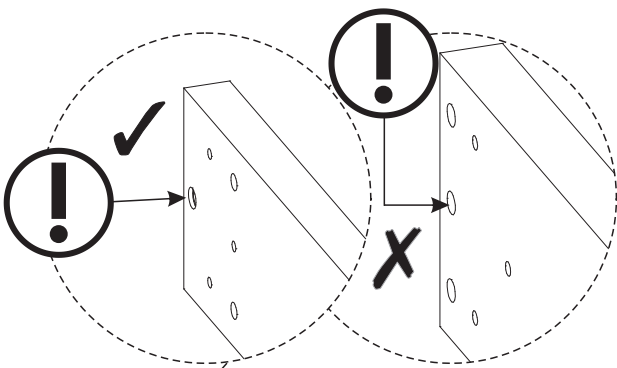
3▶



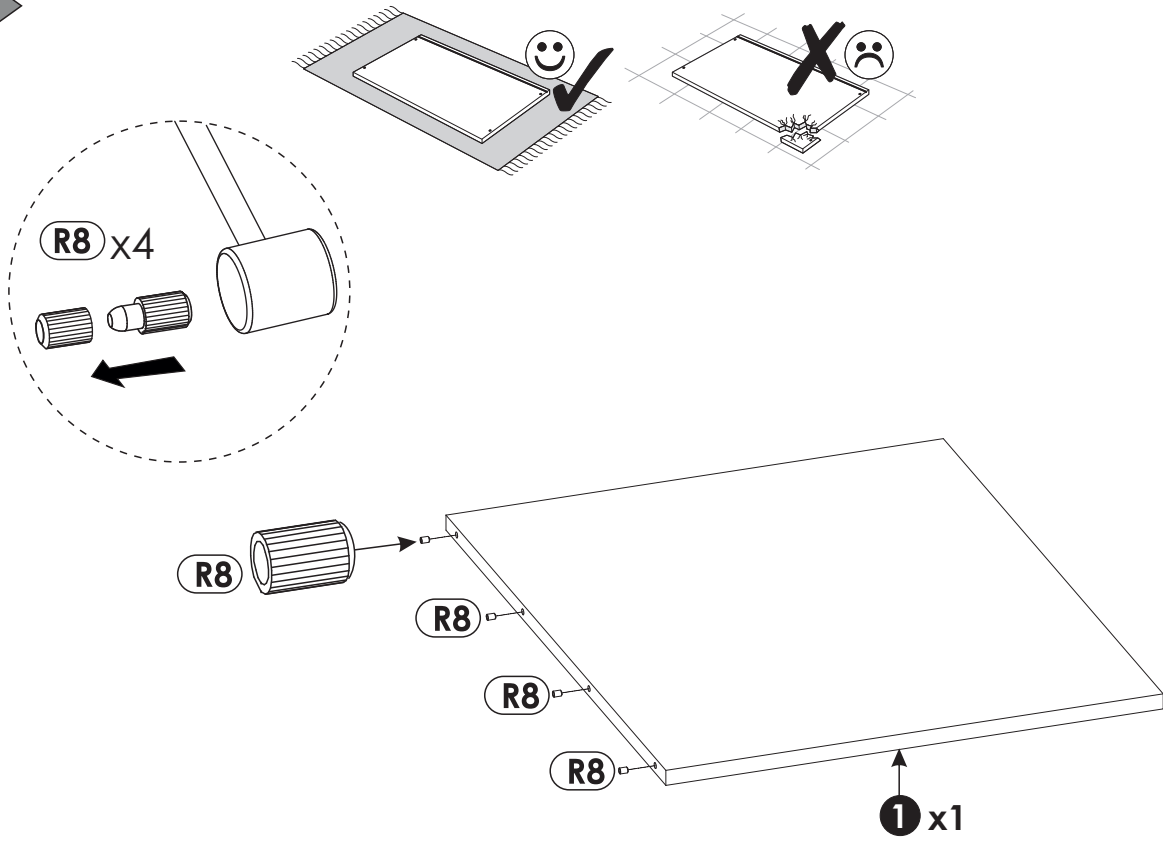
4 ▶



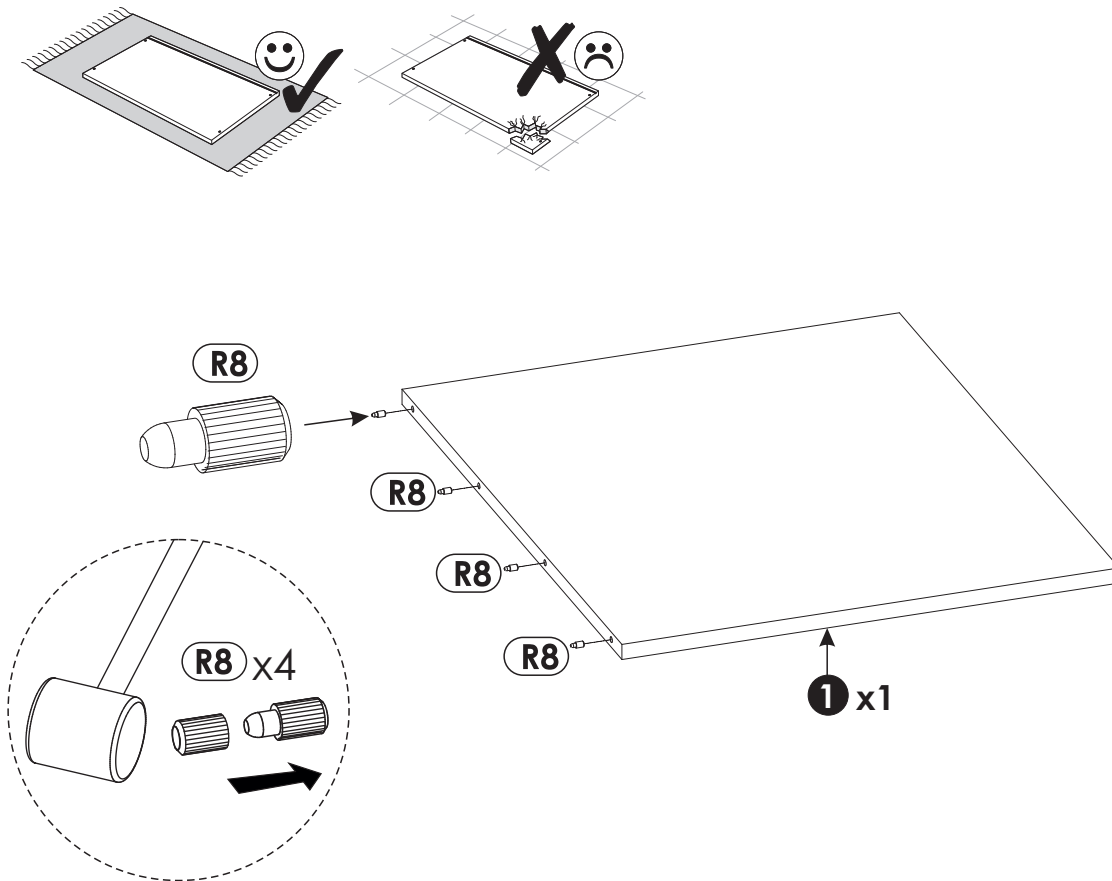
5 ▶



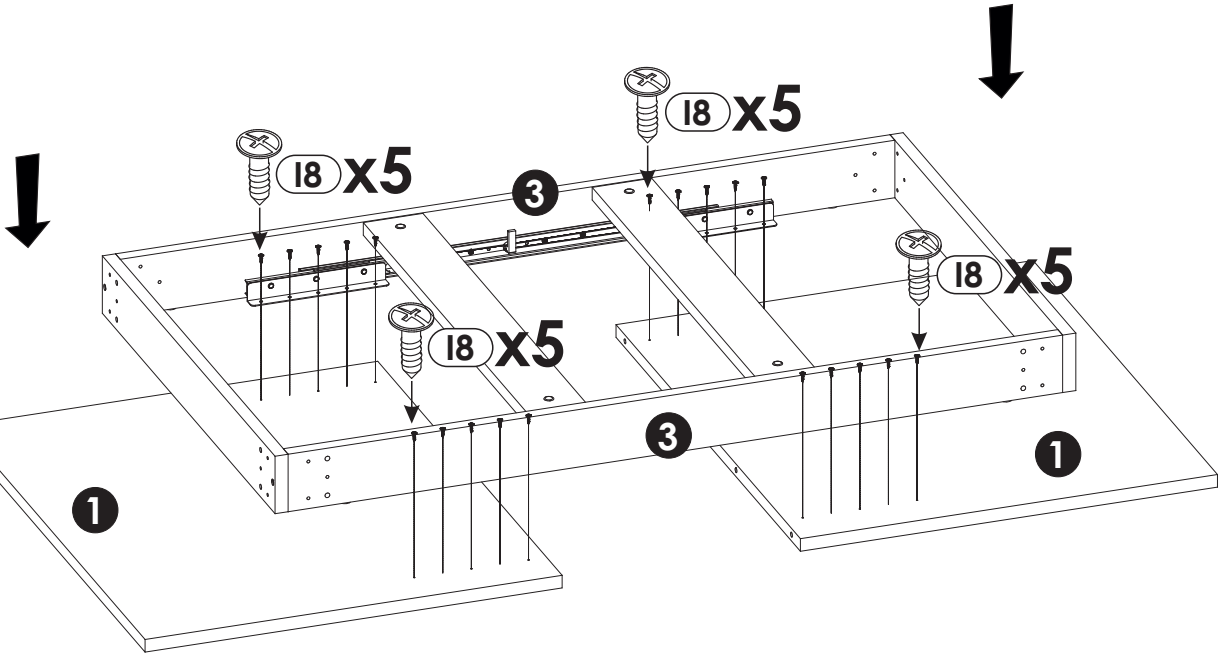
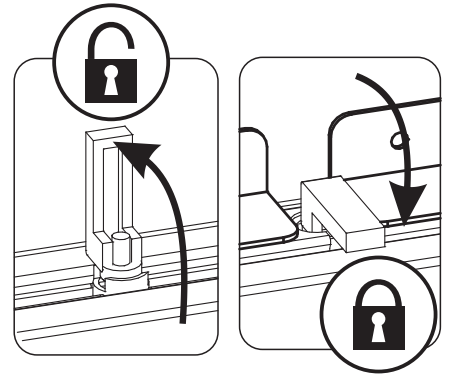
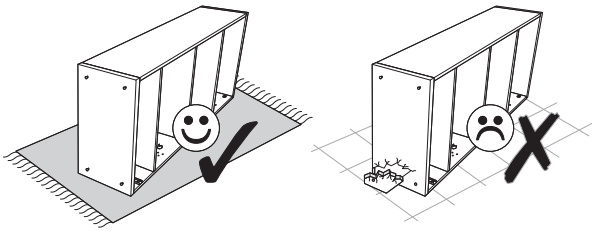
6 ▶



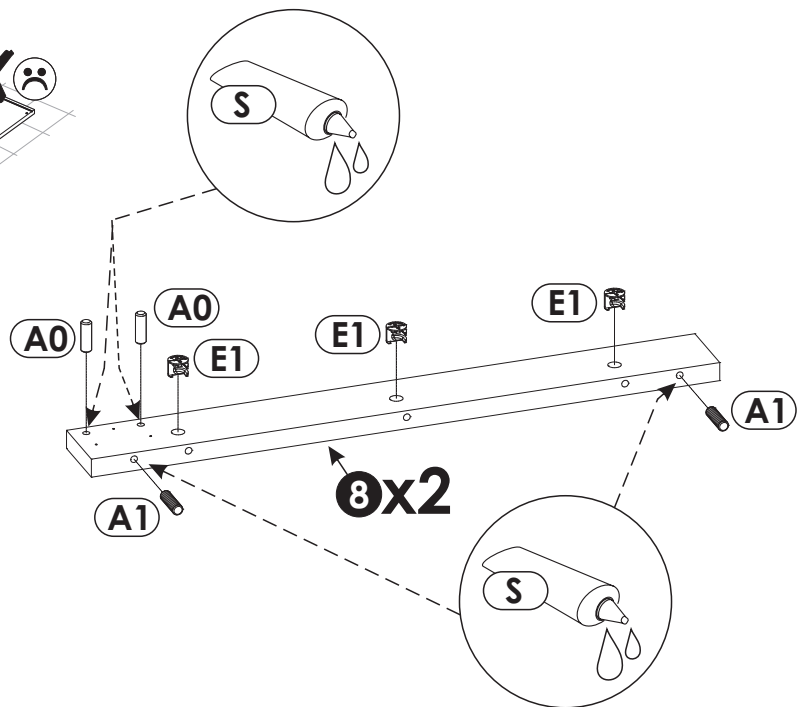
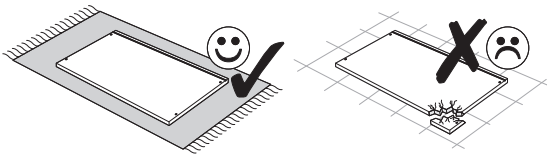
7 ▶



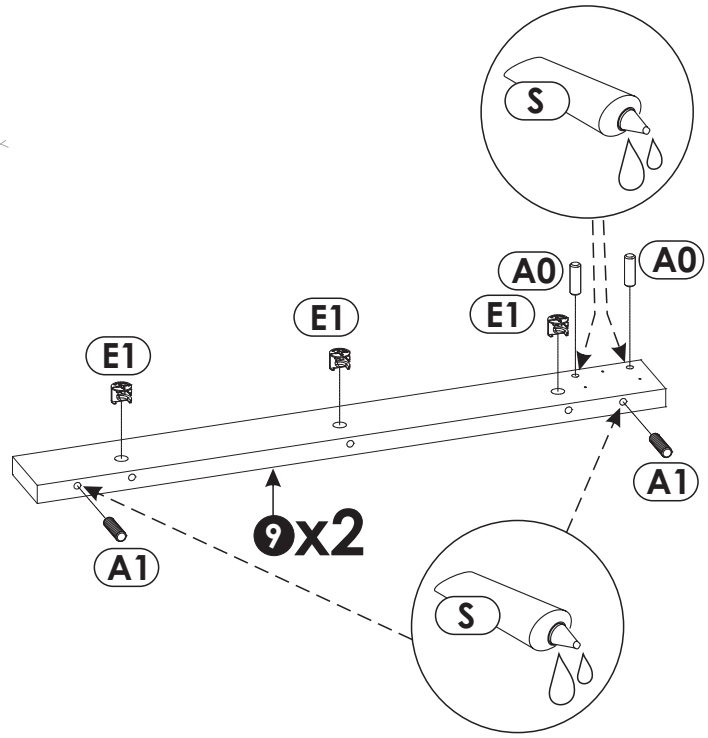
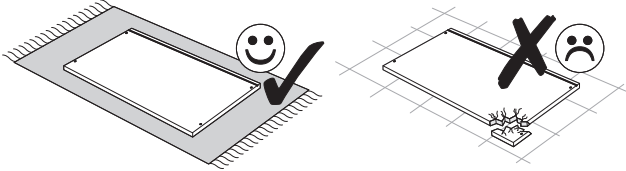
8 ▶



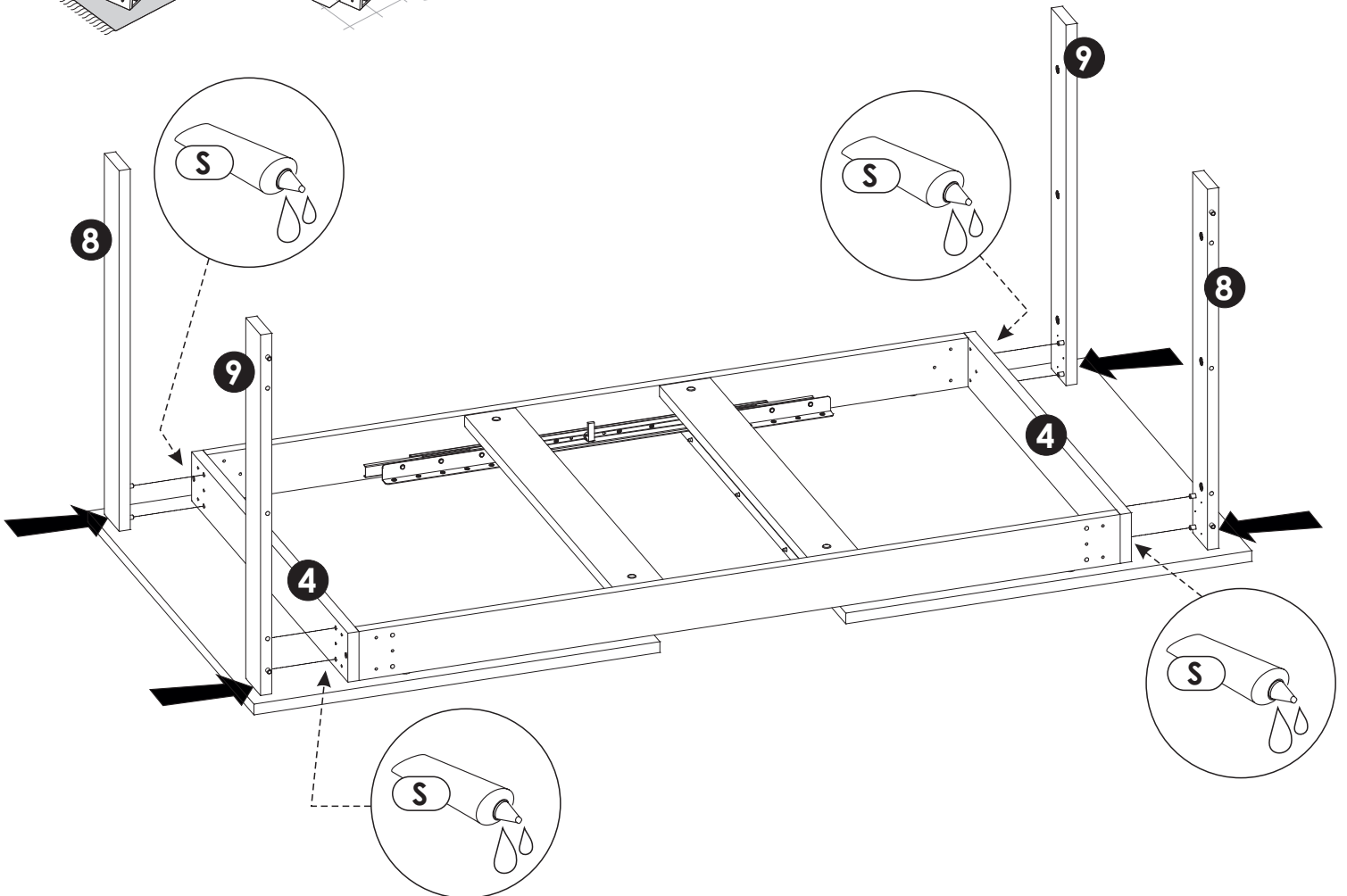
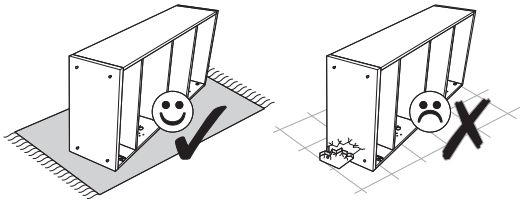
9 ▶



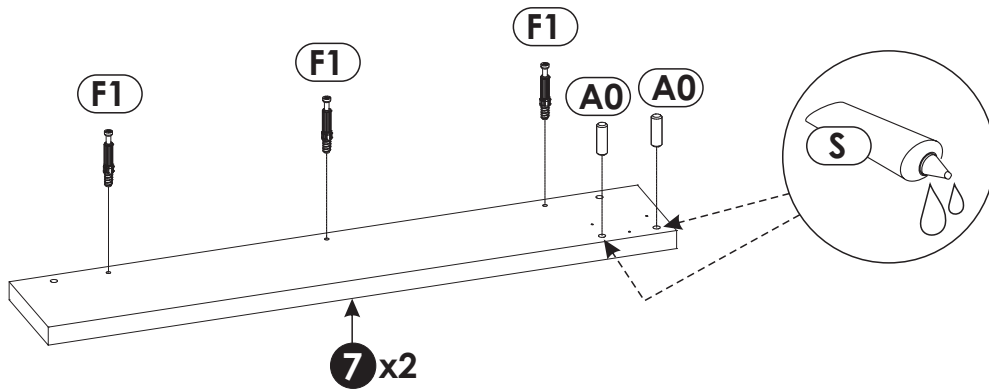
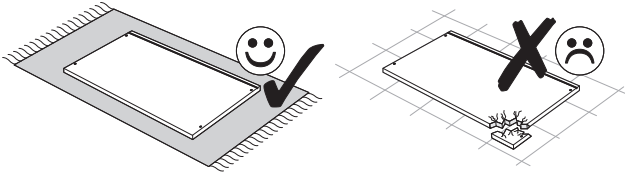
10 ▶



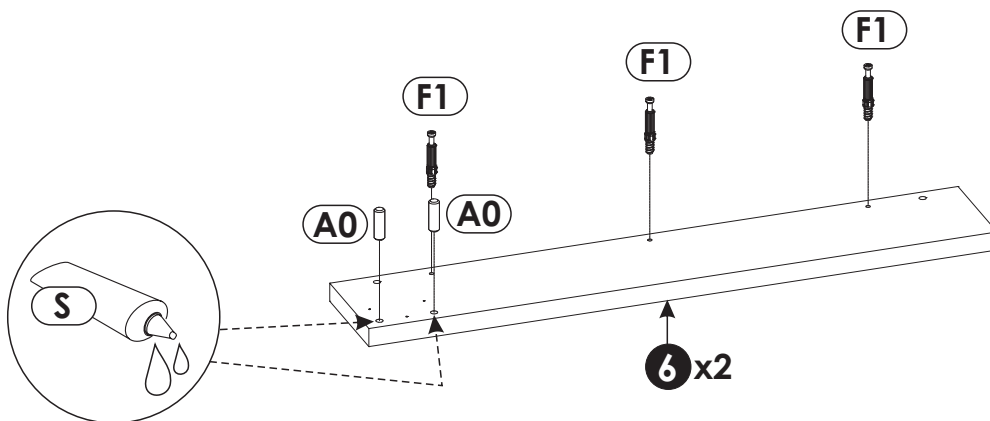
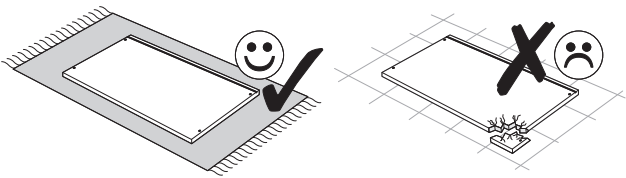
11 ▶



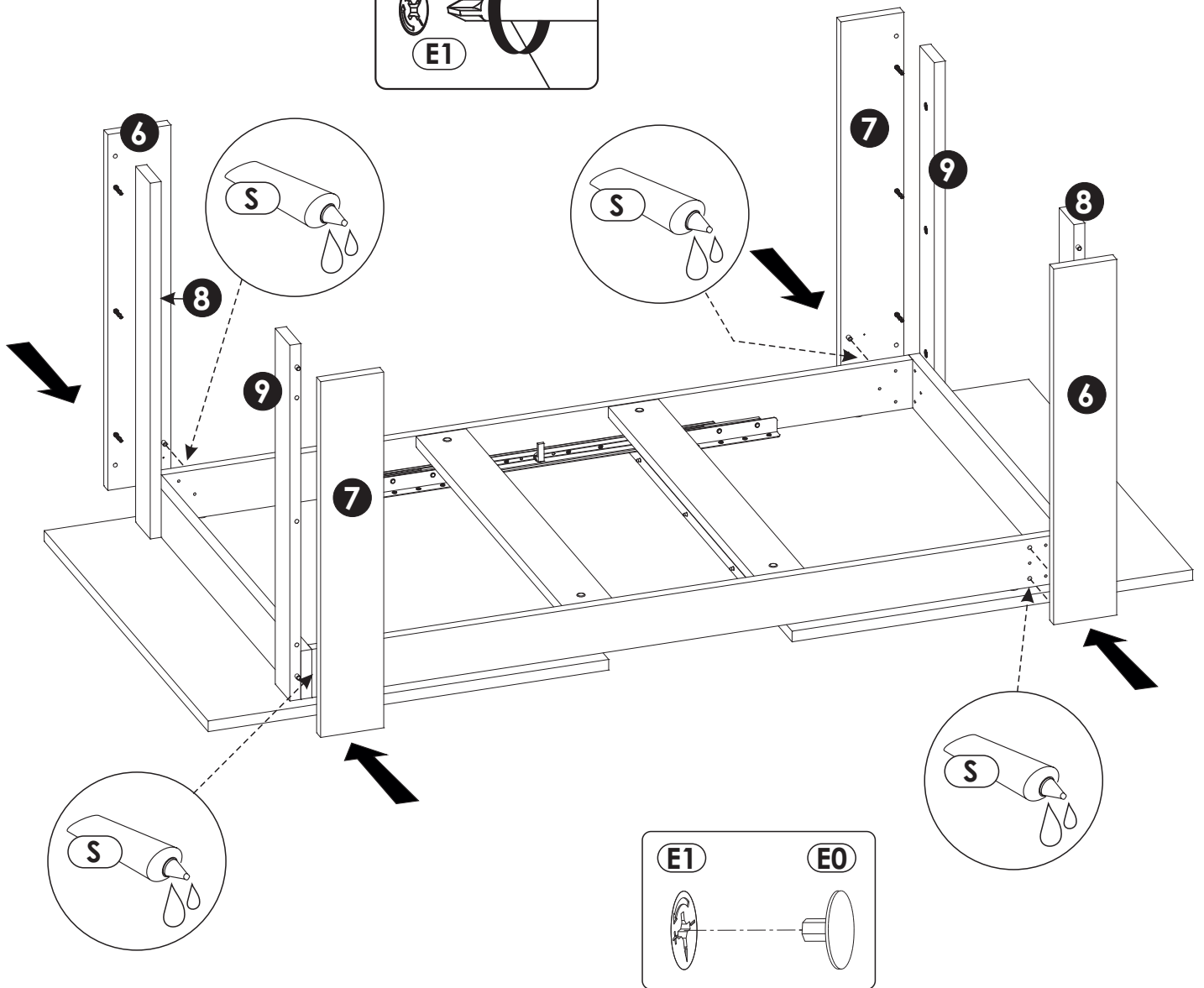
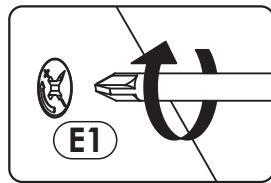
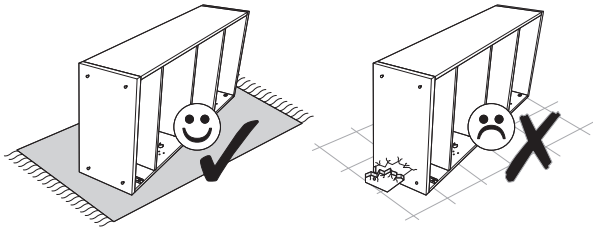
12▶



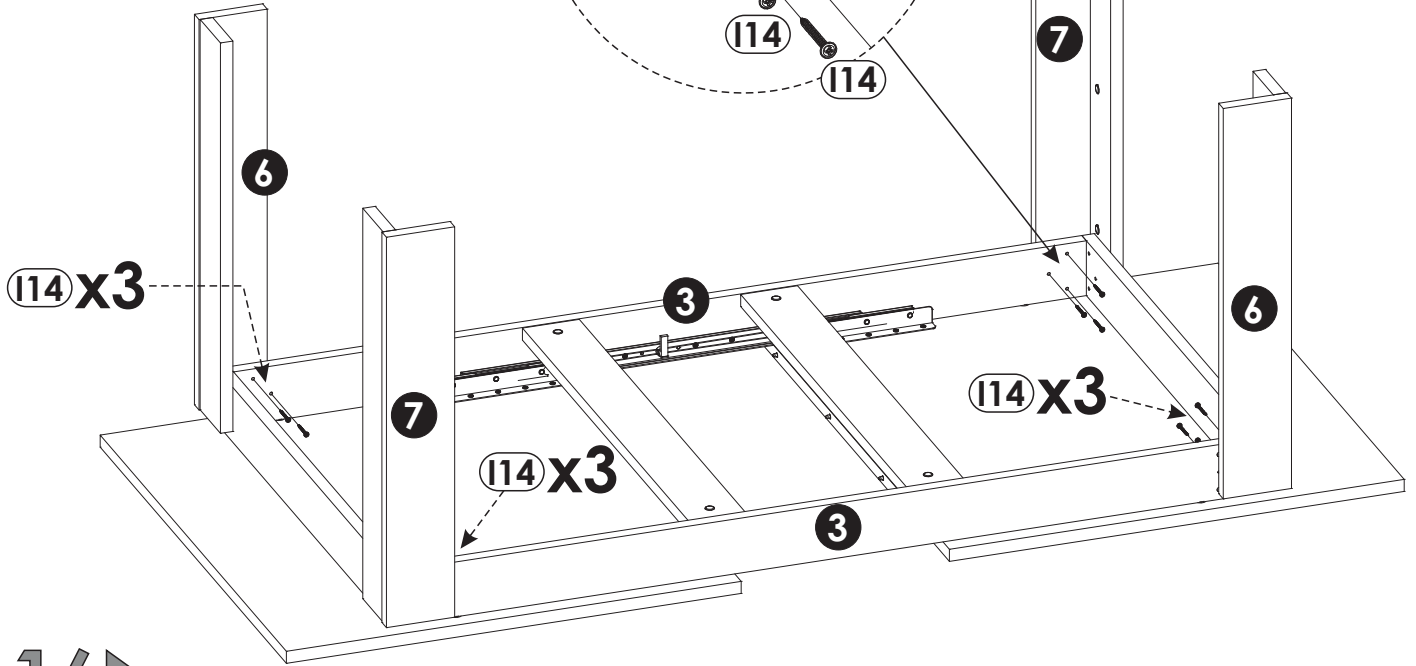
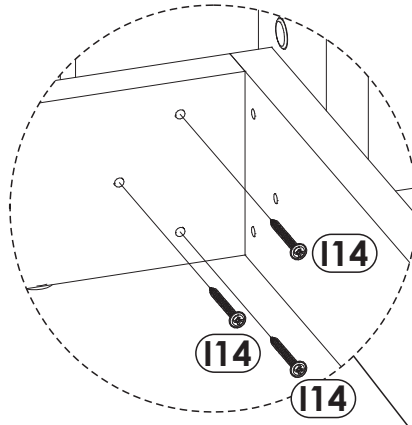
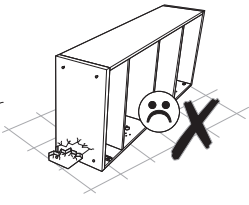
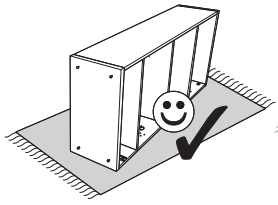
13▶



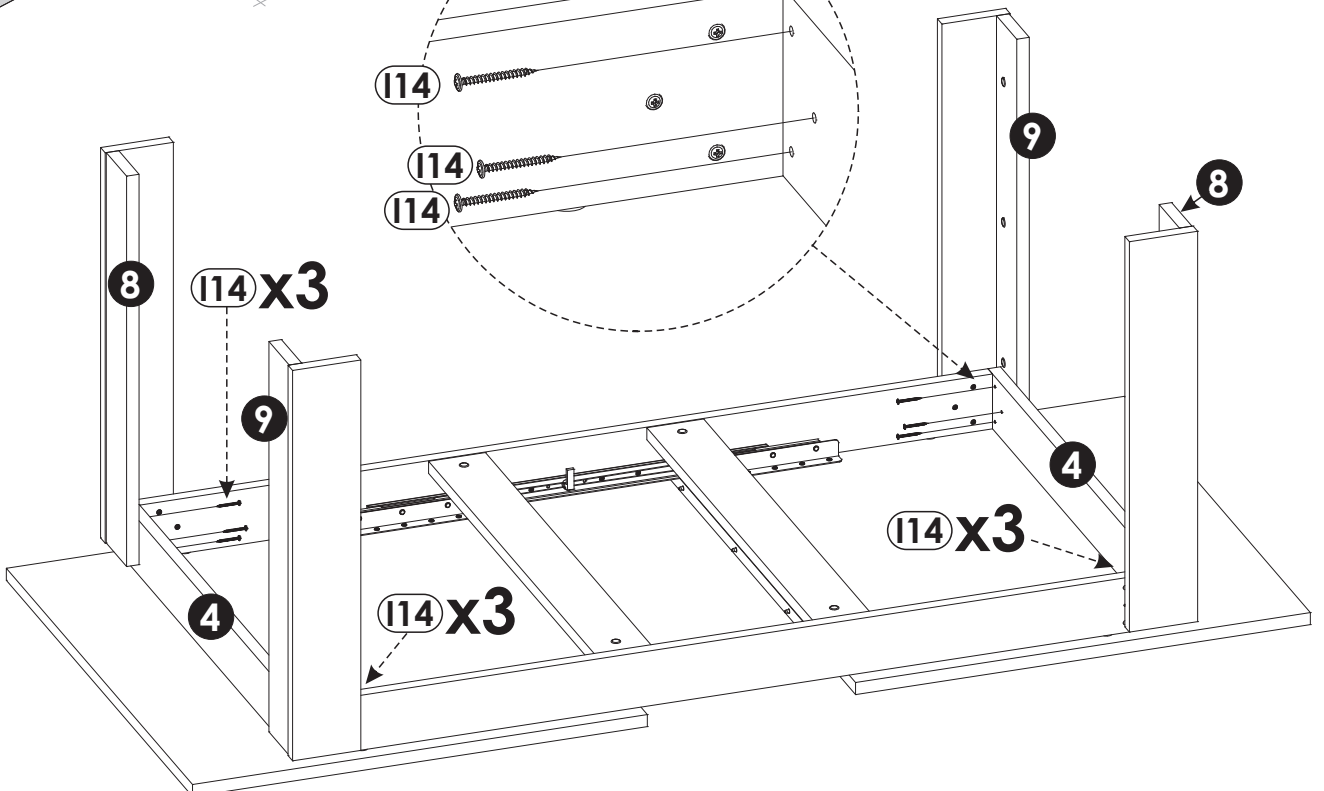
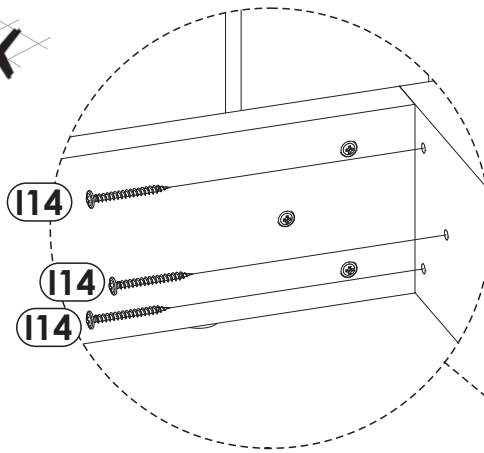
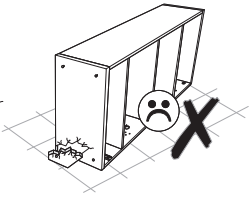
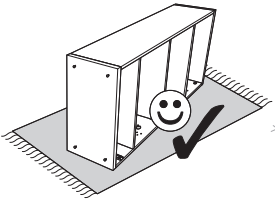
14▶



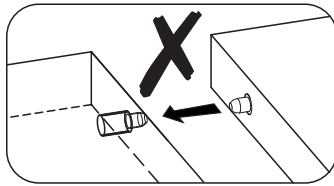
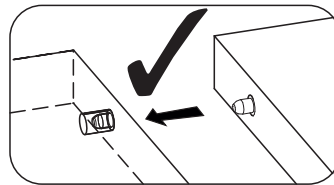
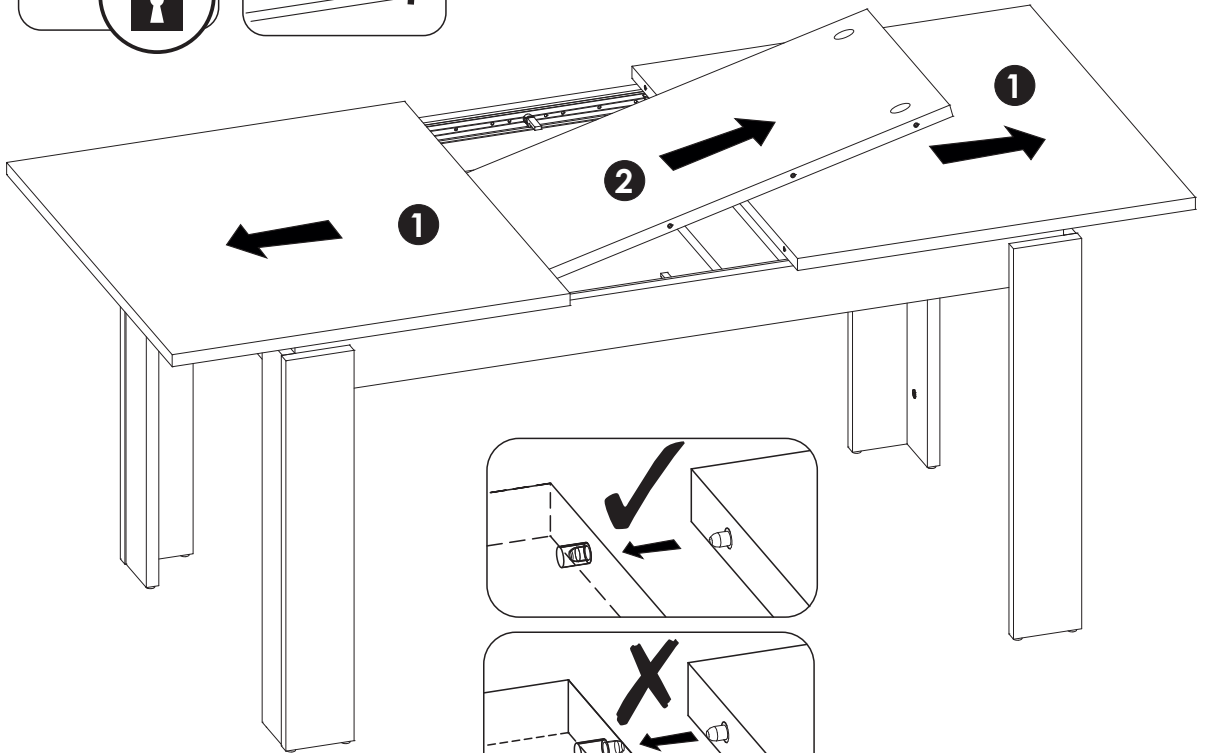
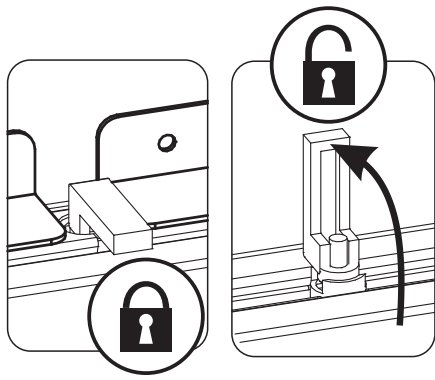
15 ▶



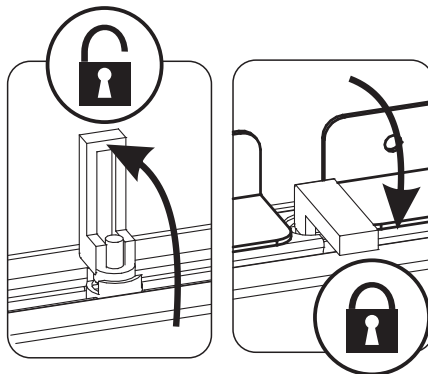
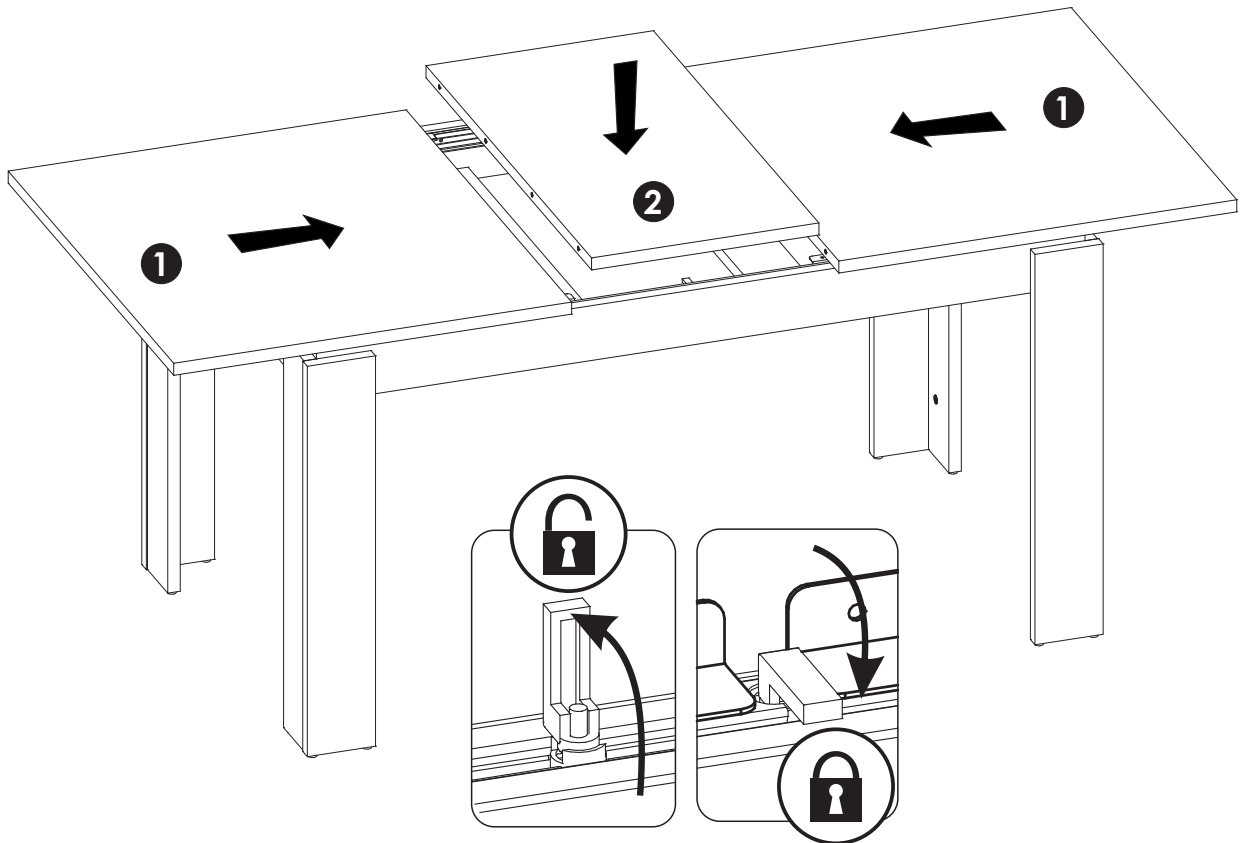
16 ▶

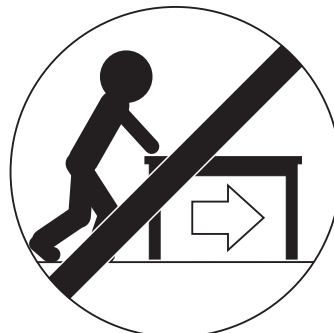
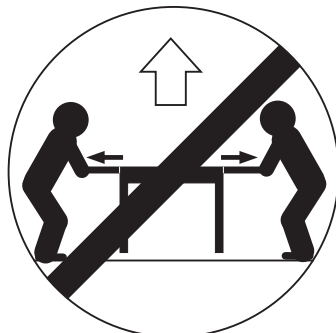
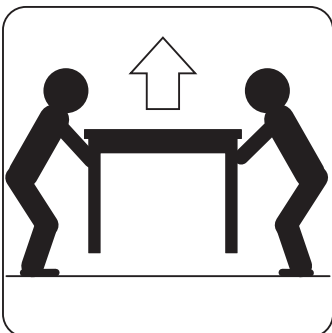
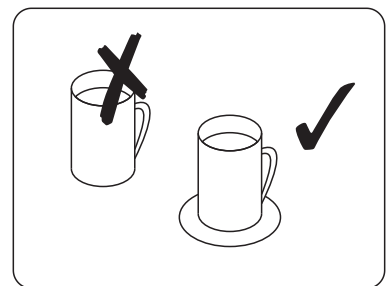
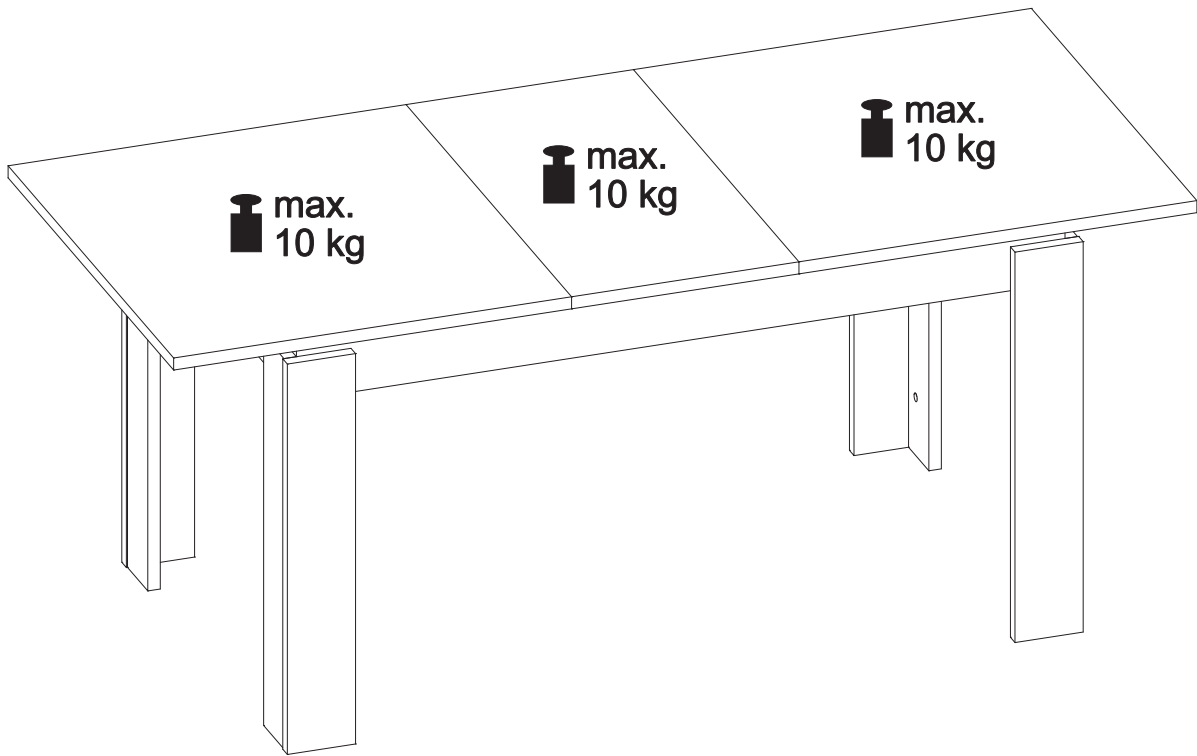


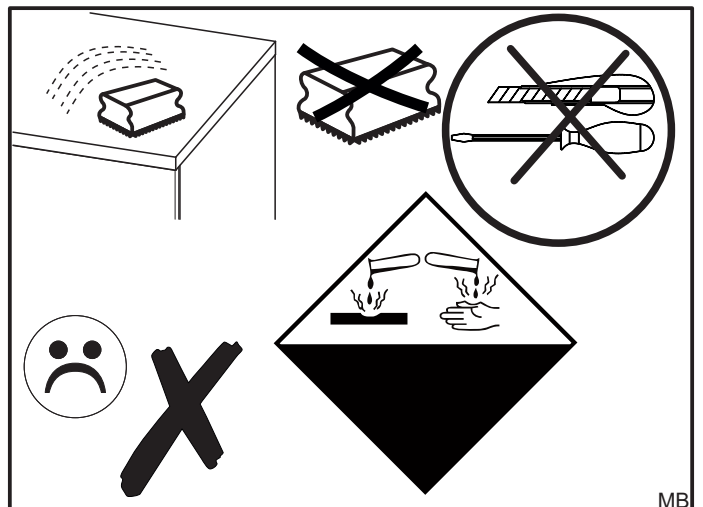
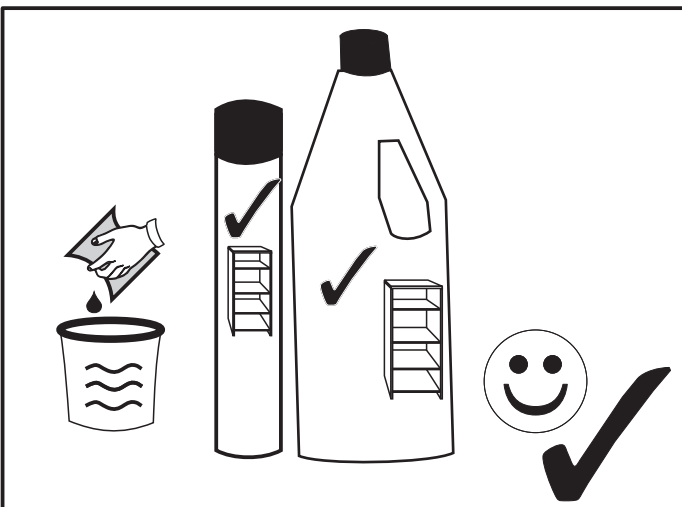
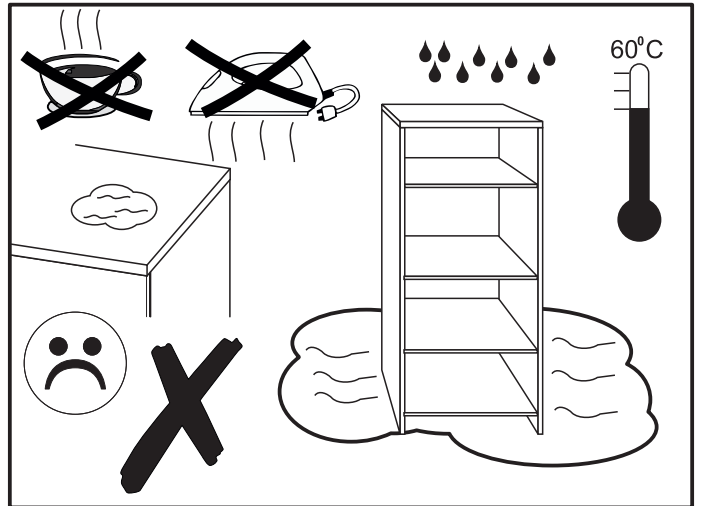
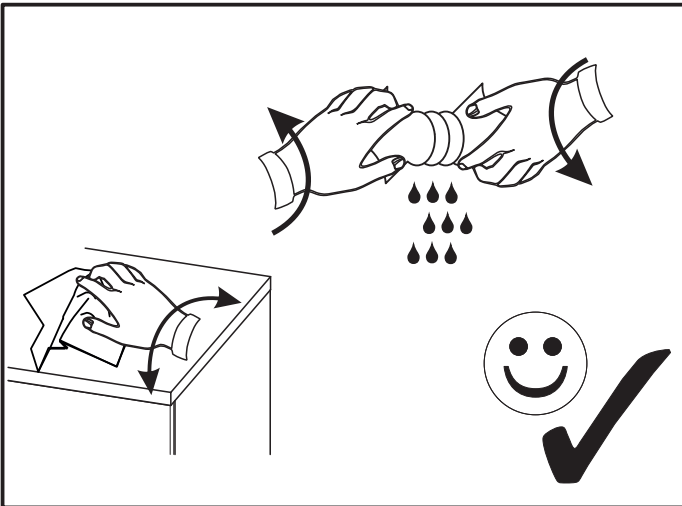
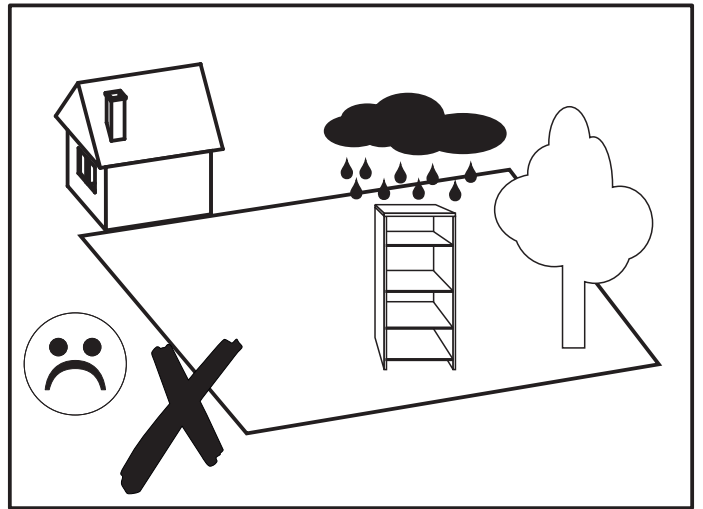
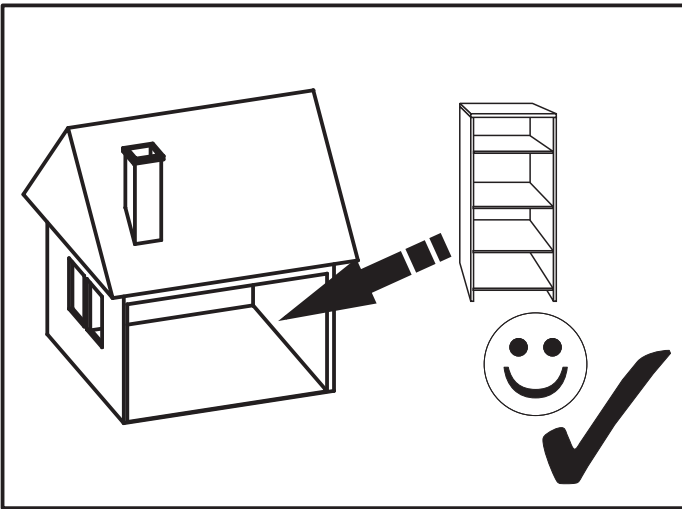
19▶



20▶







MB