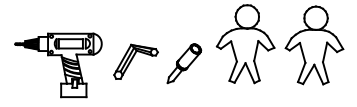
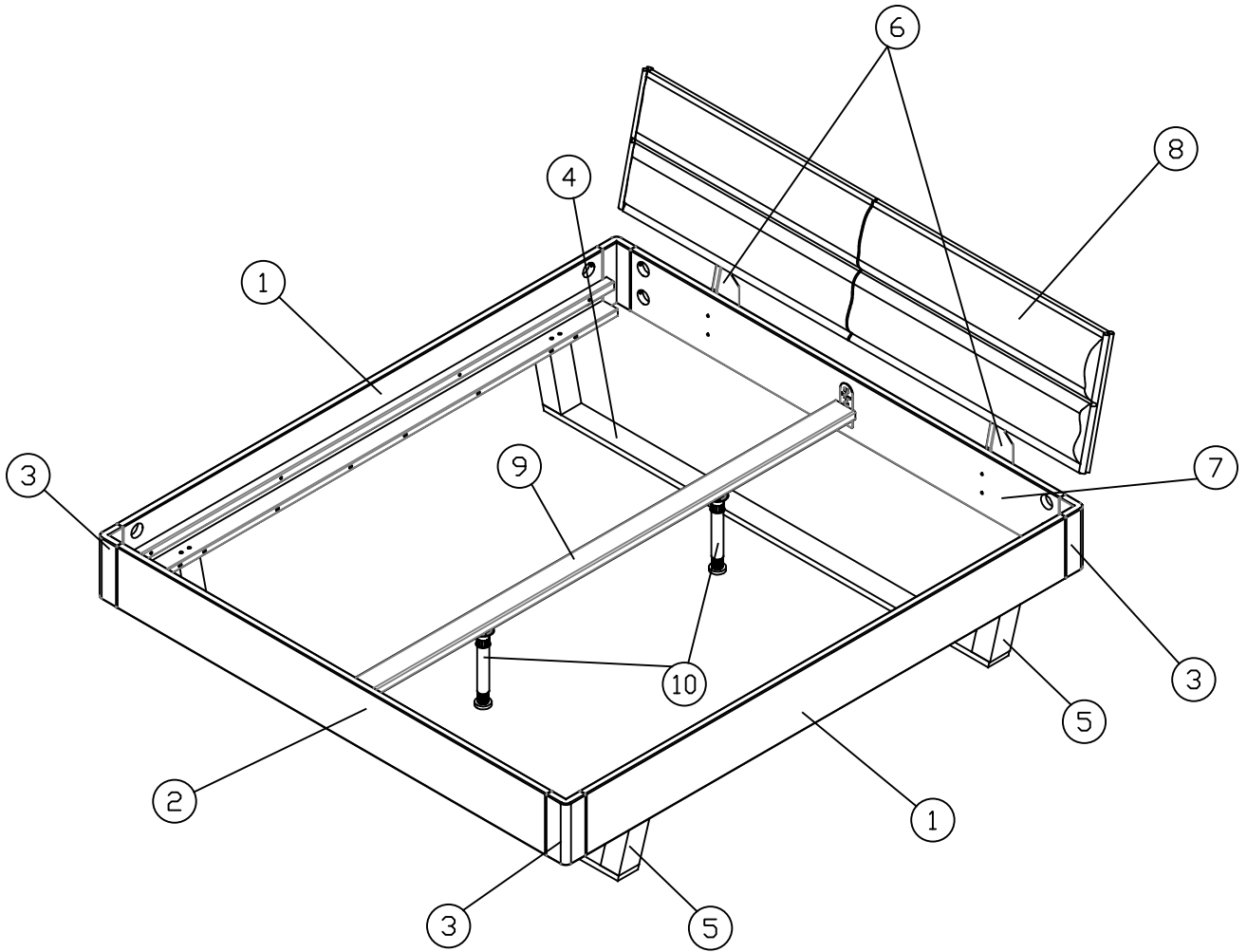


TJARK

22-781-07
 22-782-07
 22-781-19
 22-782-19

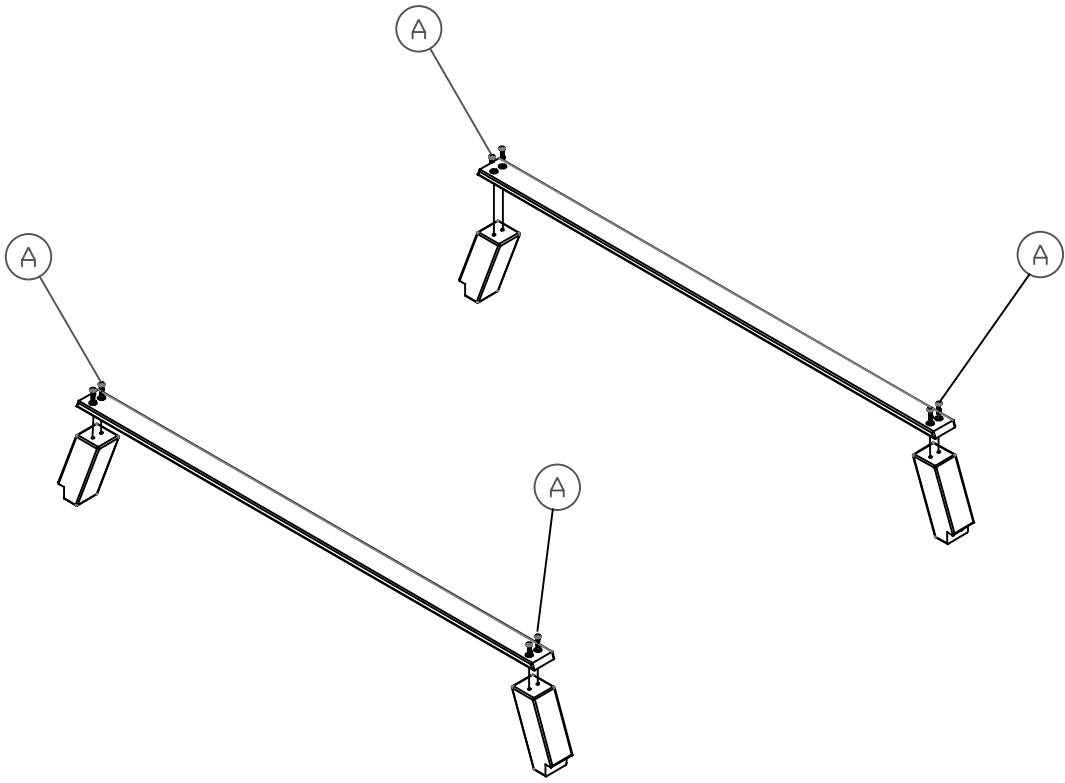
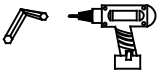


40 Minutes



| | | | | | | | | | |
|--------------------|-------------------|---------------------|----------------------|---------------------|-------------------|--------------------|------------|---------------------|--|
| M6x40 A x 8 | SW 4 B x 8 | M6x50 C x 16 | SW 5 D x 16 | M6x50 E x 24 | F x 2 | 10x40 G x 2 | H x 20 | 3,5x16 I x 2 | |
| J x 2 | K x 2 | L x 2 | M6,3x60 M x 4 | M6x65 N x 4 | 7x50 O x 8 | 8x32 P x 4 | | | |

1.

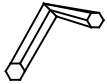


M6x40

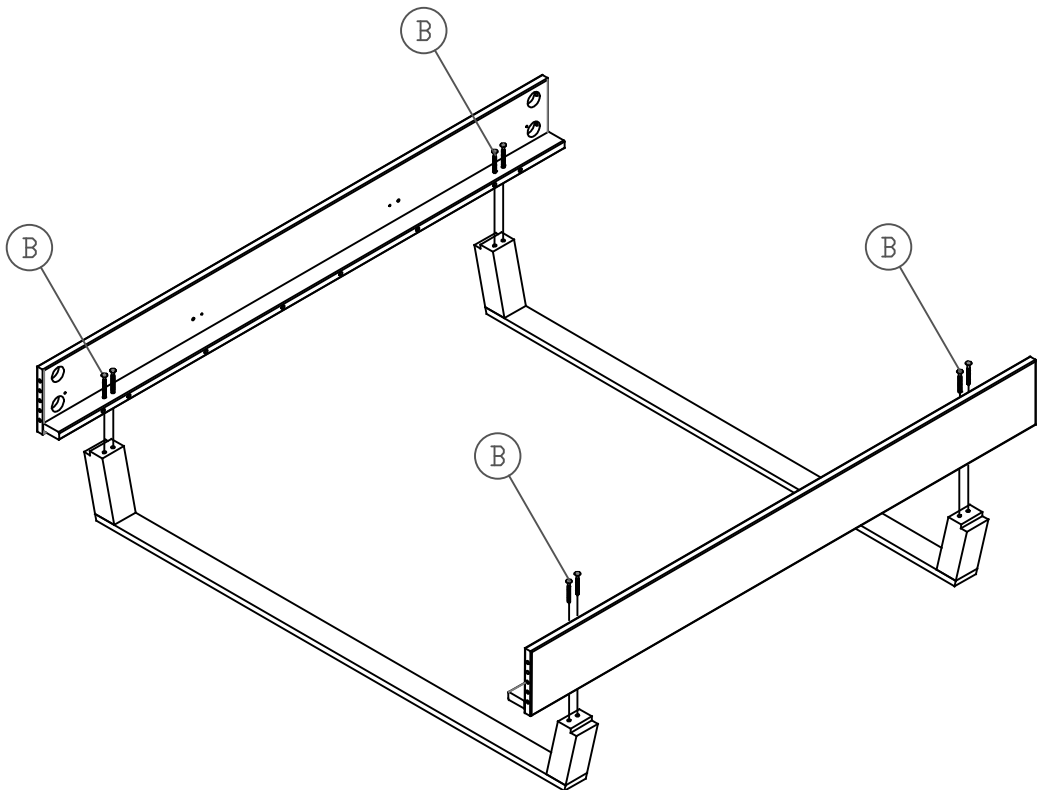
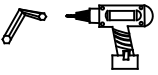


Ax8

SW 4



2.

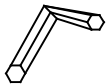


M6x50

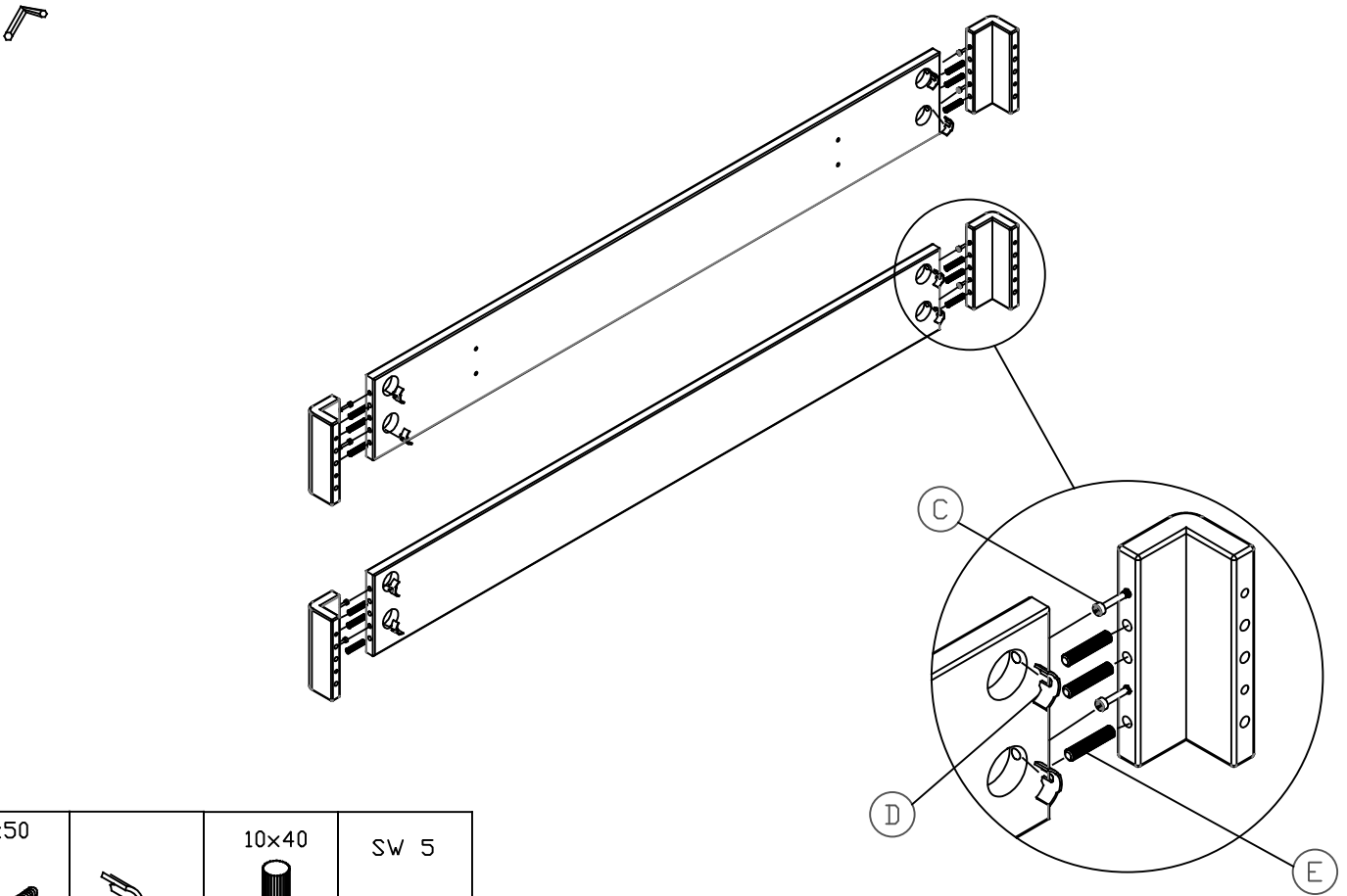


Bx8

SW 4



3.



M6x50



Cx8



Dx8

10x40

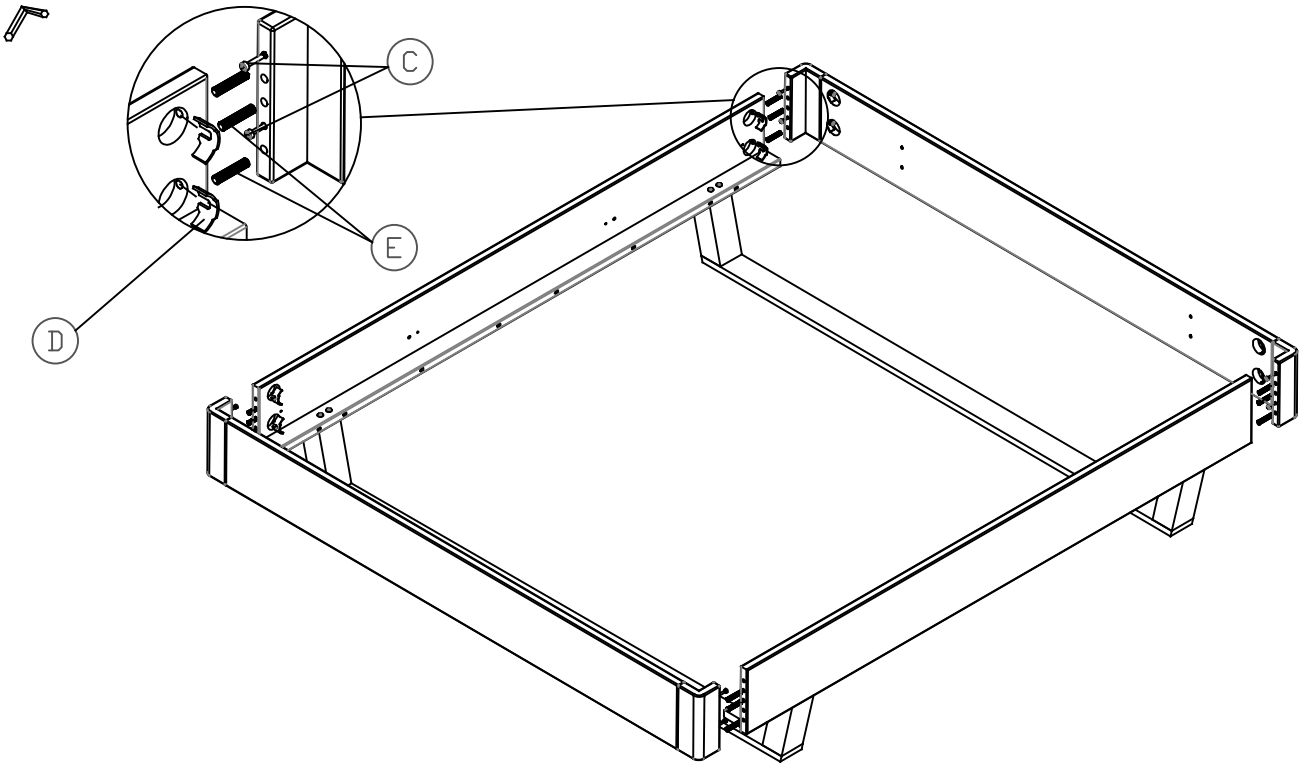


Ex12

SW 5



4.



M6x50



Cx8



Dx8

10x40

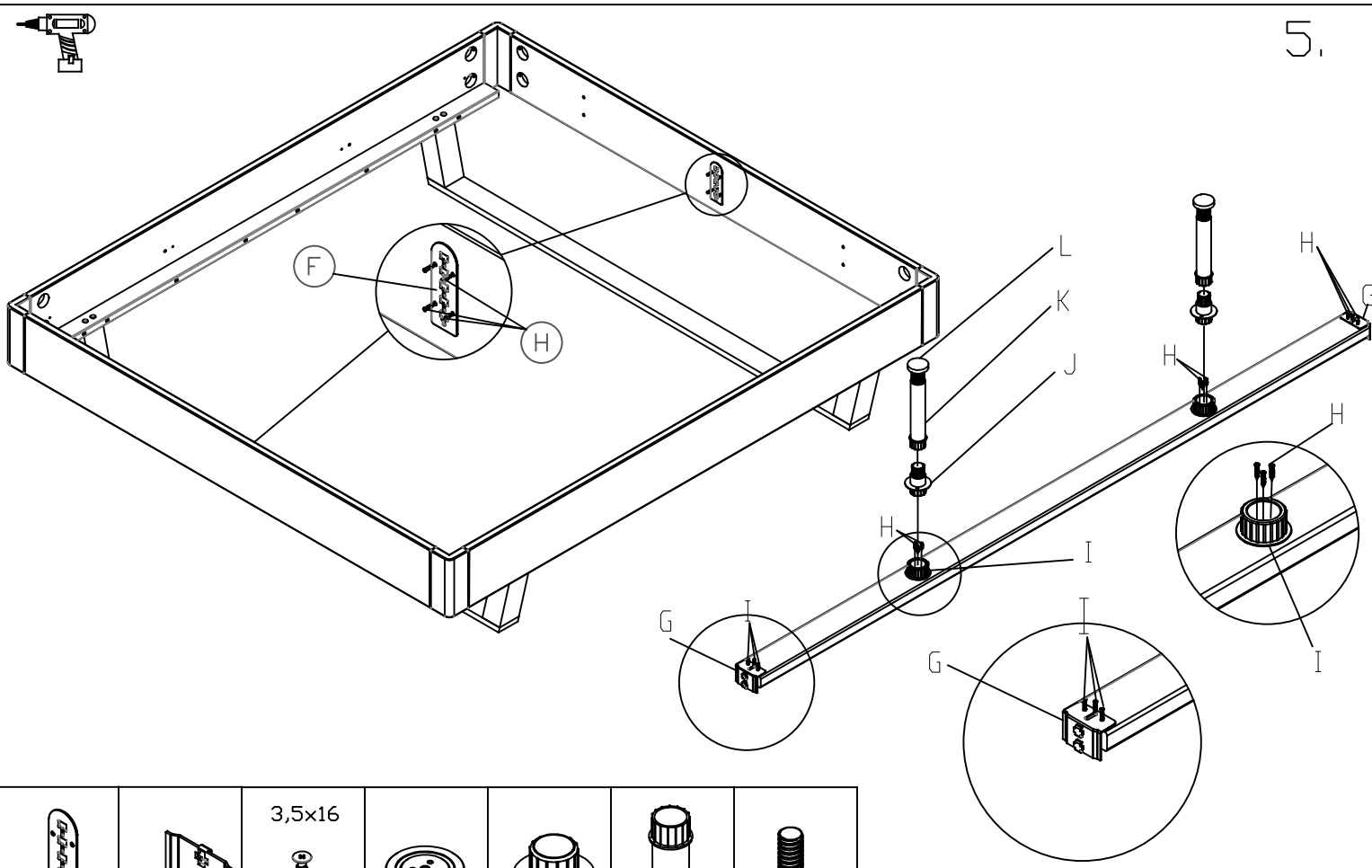


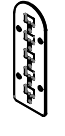
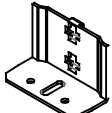


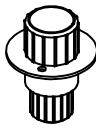


Ex12

SW 5

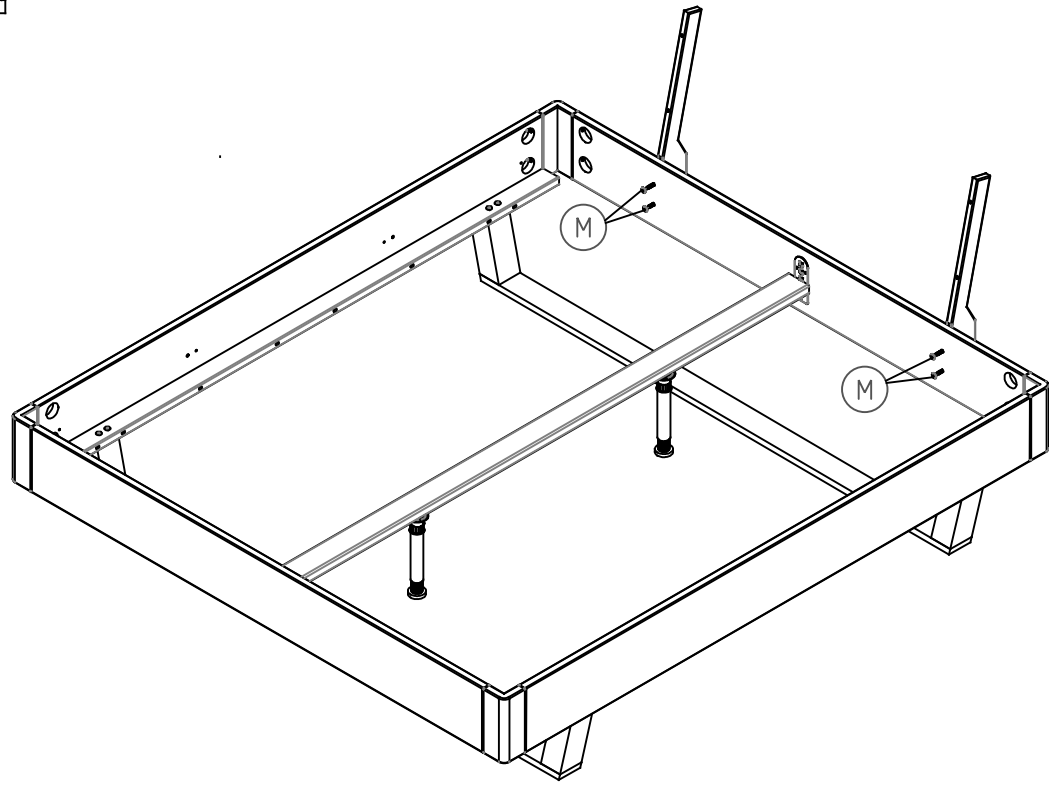
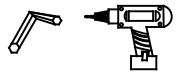




5.

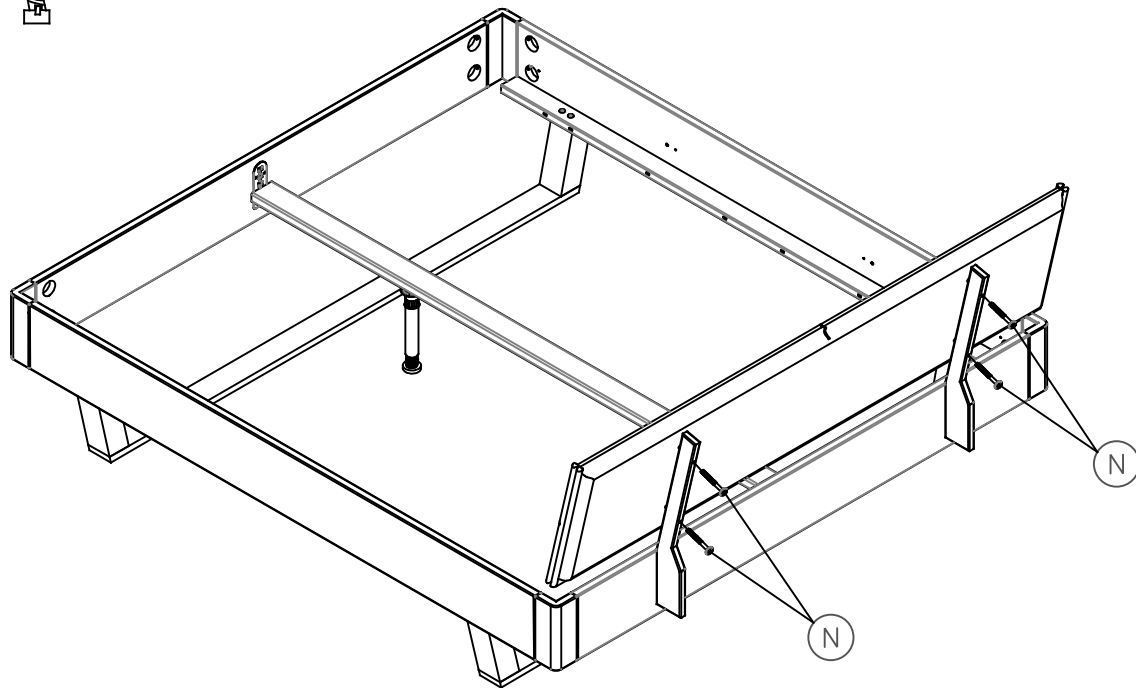
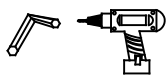


| | | | | | | |
|---|--|--|--|--|--|--|
|  |  | 3,5x16  |  |  |  |  |
| Fx2 | Gx2 | Hx20 | Ix2 | Jx2 | Kx2 | Lx2 |

6.



| | |
|---|---|
| M6,3x60  | SW 4  |
| Mx4 | |

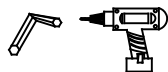


M6x65

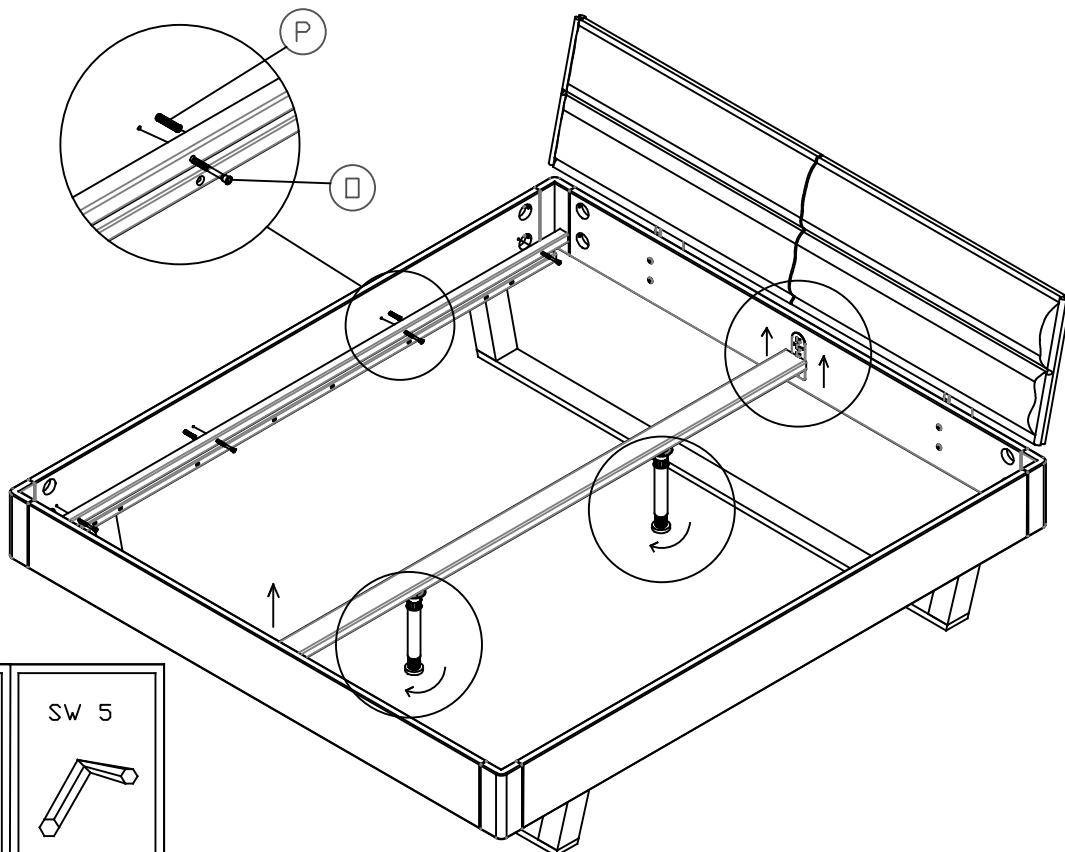
SW 4



Nx4



height adjustment for the mattress



7x50

8x32

SW 5



Qx8

Px4