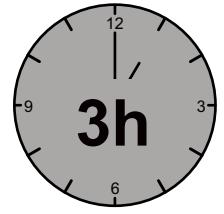
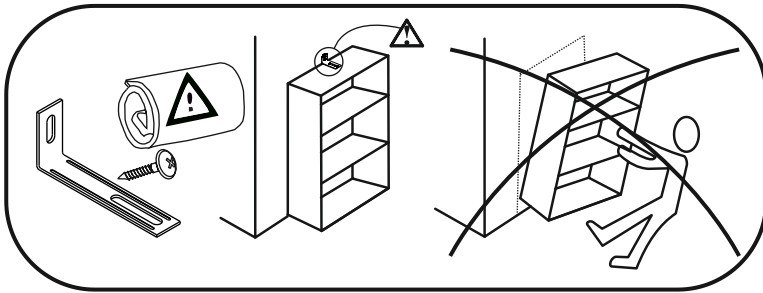


PENTA 5

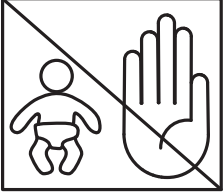
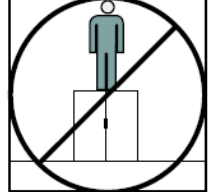
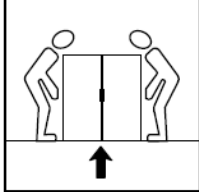
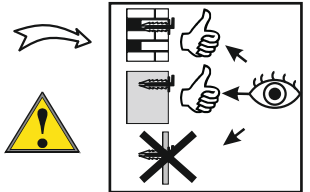
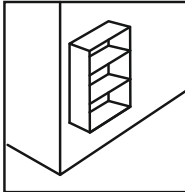
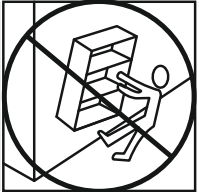
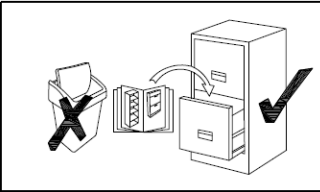
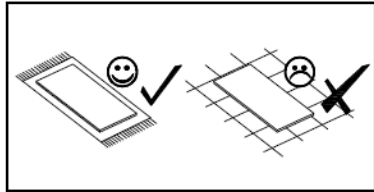
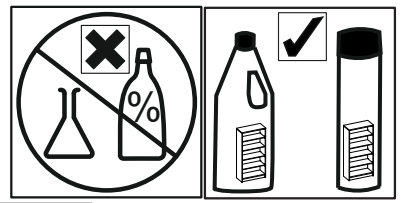
58-525-N

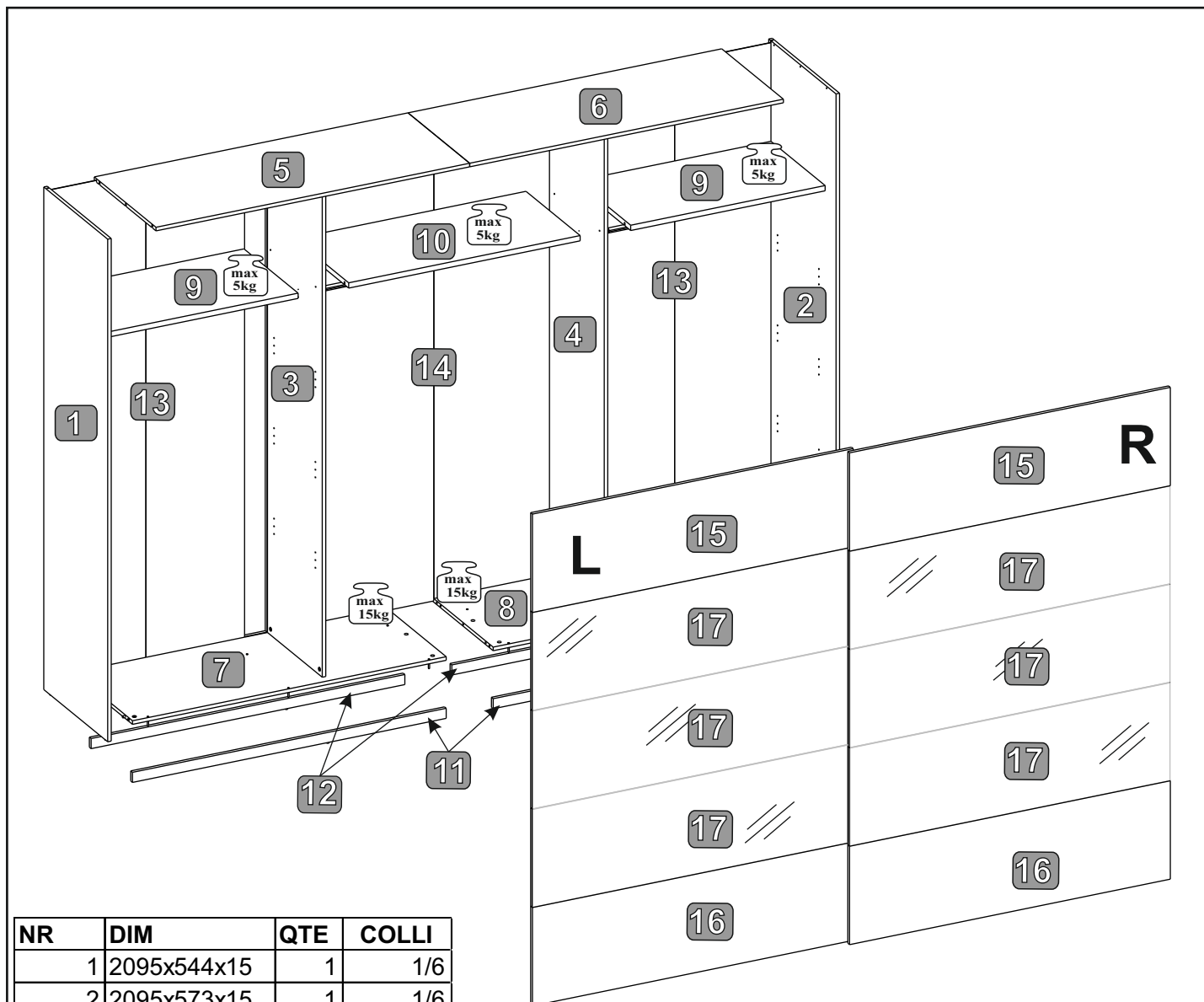


2100mm

600mm

2700mm

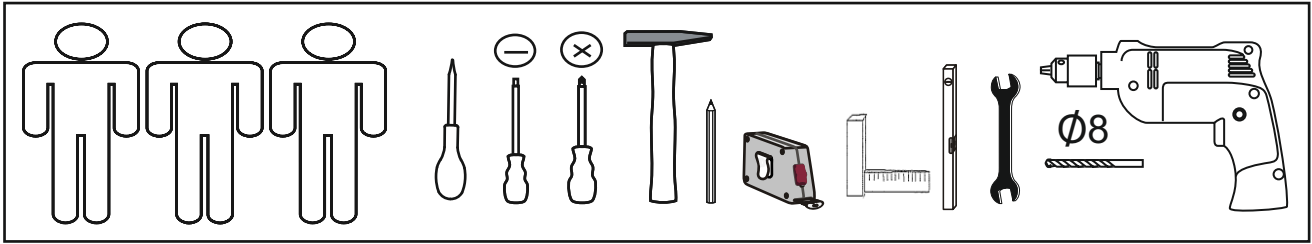




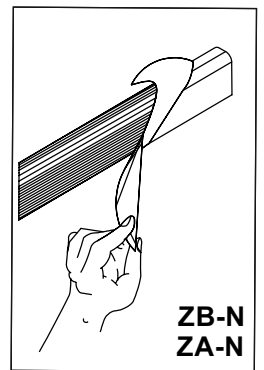
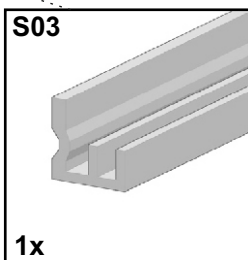
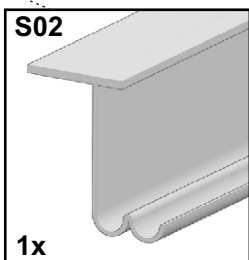
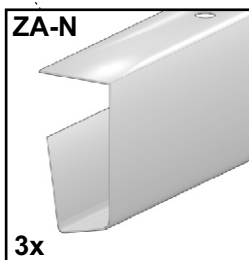
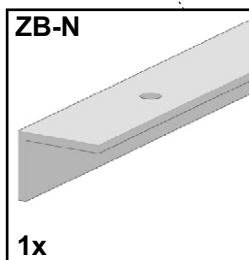
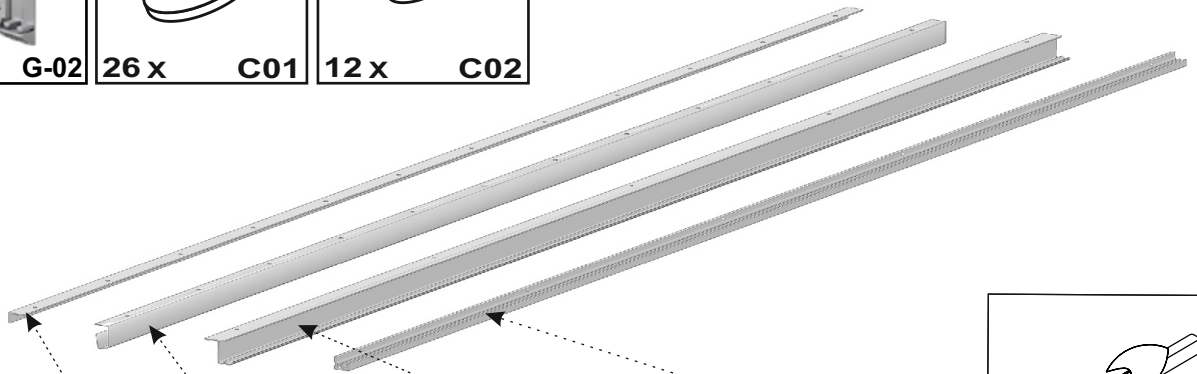
NR	DIM	QTE	COLLI
1	2095x544x15	1	1/6
2	2095x573x15	1	1/6
3	2022x485x15	1	2/6
4	2022x485x15	1	2/6
5	1335x525x15	1	3/6
6	1335x525x15	1	3/6
7	1335x525x15	1	3/6
8	1335x525x15	1	3/6
9	827,5x461x22	2	2/6
10	985x461x22	1	2/6
11	1355x42x15	2	3/6
12	1355x42x15	2	3/6
13	2040x840x2	2	1/6
14	2040x992x2	1	1/6
15	1365x410x18	2	4/6;5/6
16	1365x410x18	2	4/6;5/6
17	1365x410x18	6	4/6;5/6
ZA-N	L-2050/PW19	3	6/6
ZB-N	L-2050/PW18	1	6/6
S02	L-2668	1	6/6
S03	L-2668	1	6/6

PENTA 5

58-525-N



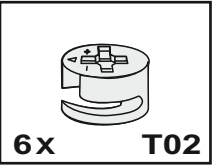
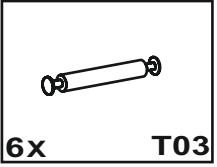
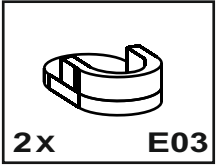
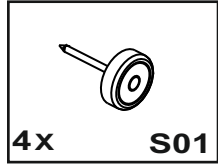
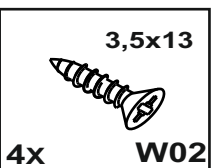
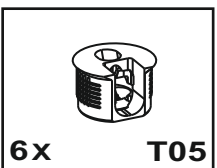
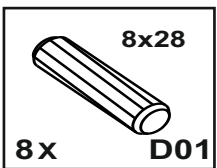
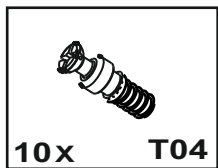
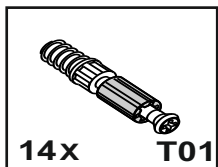
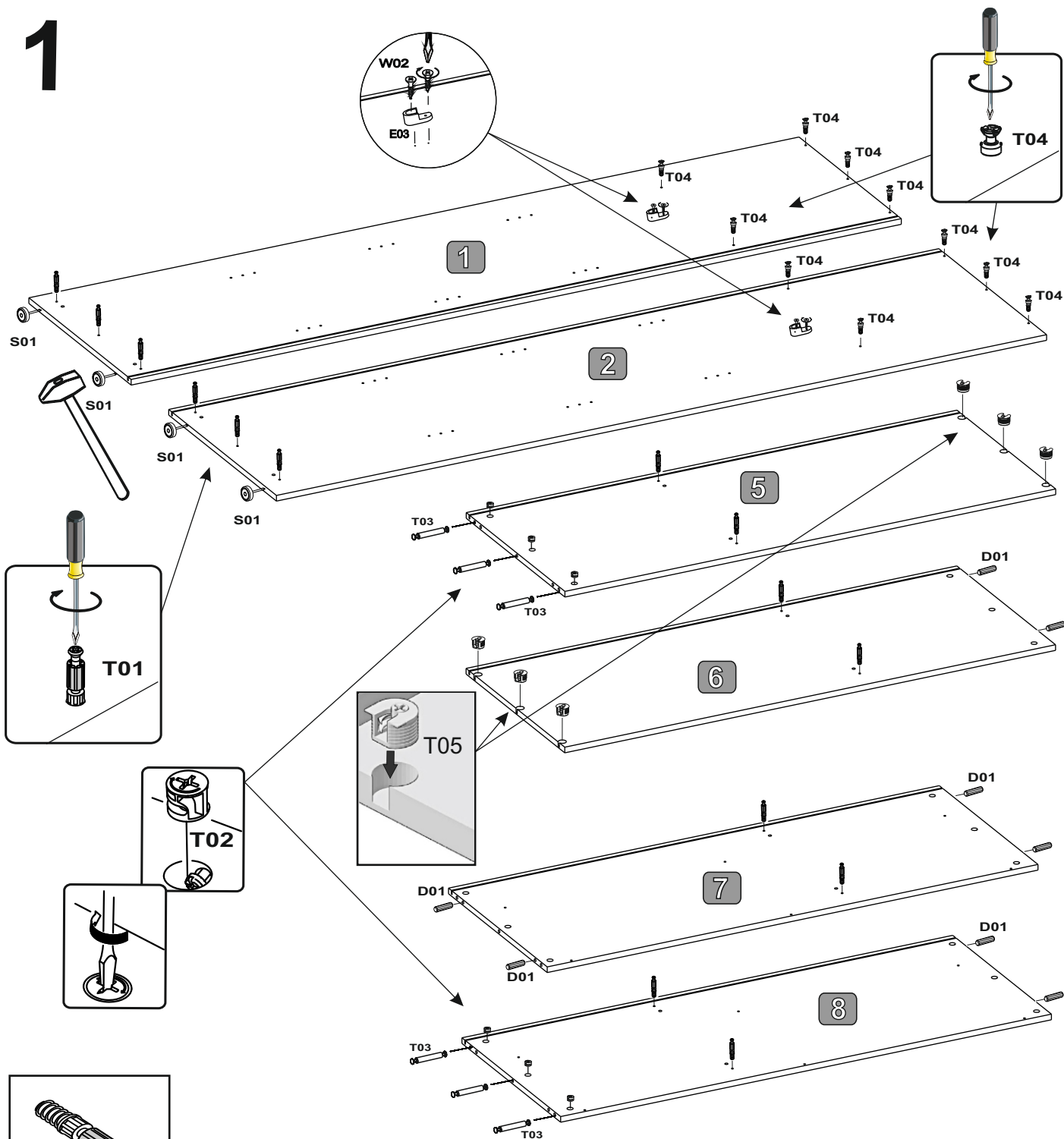
 18x T04	 18x T05	 26x T02	 14x T01	 6x T03	 8x S01
 12x W16	 1x K02	 16x D01	 6x R02	 36x R01	 32x W08
 6x E03	 28x W12	 205x W02	 2x J01	 1x J02	 13x W05
 2x P-10	 2x P-07	 1x P-09	 2x P-06	 1x P-08	 2x F-02
 2x P01	 10x W07	 2x F01	 2x F11		
 1x G-02	 26x C01	 12x C02			



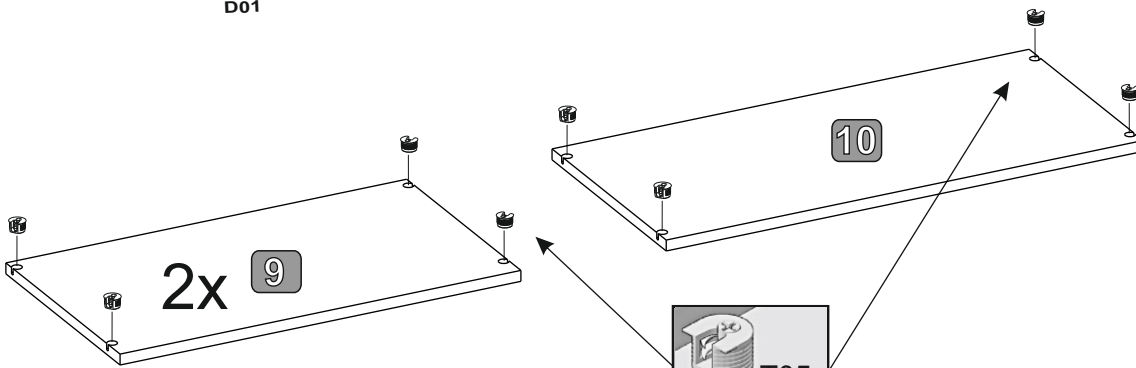
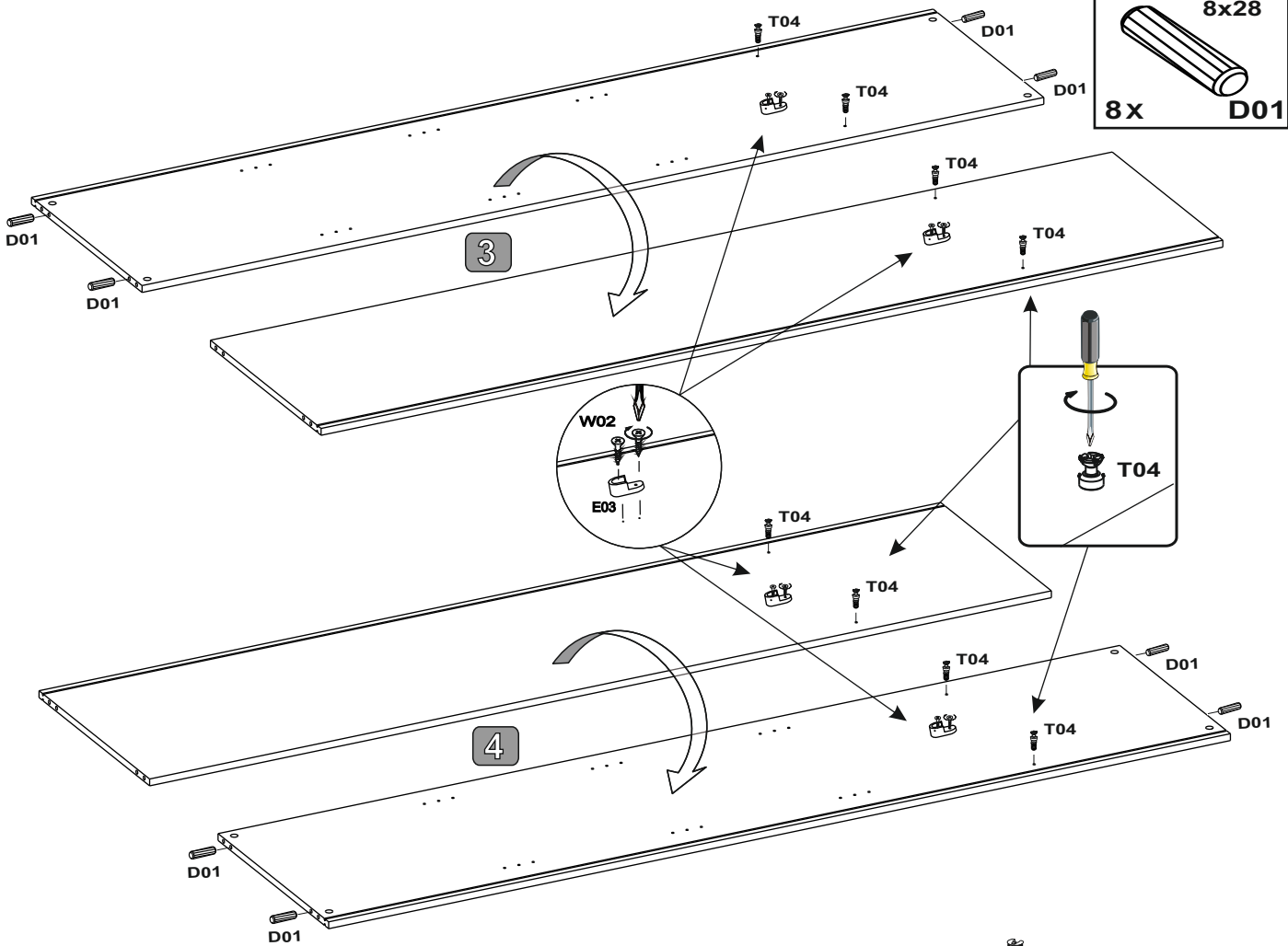
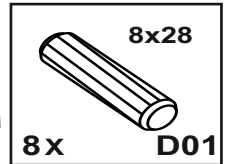
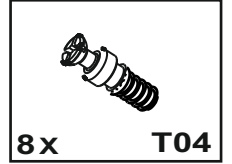
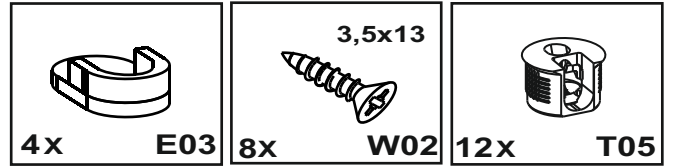
0 10 20 30 40 50 60 70 80 90 100



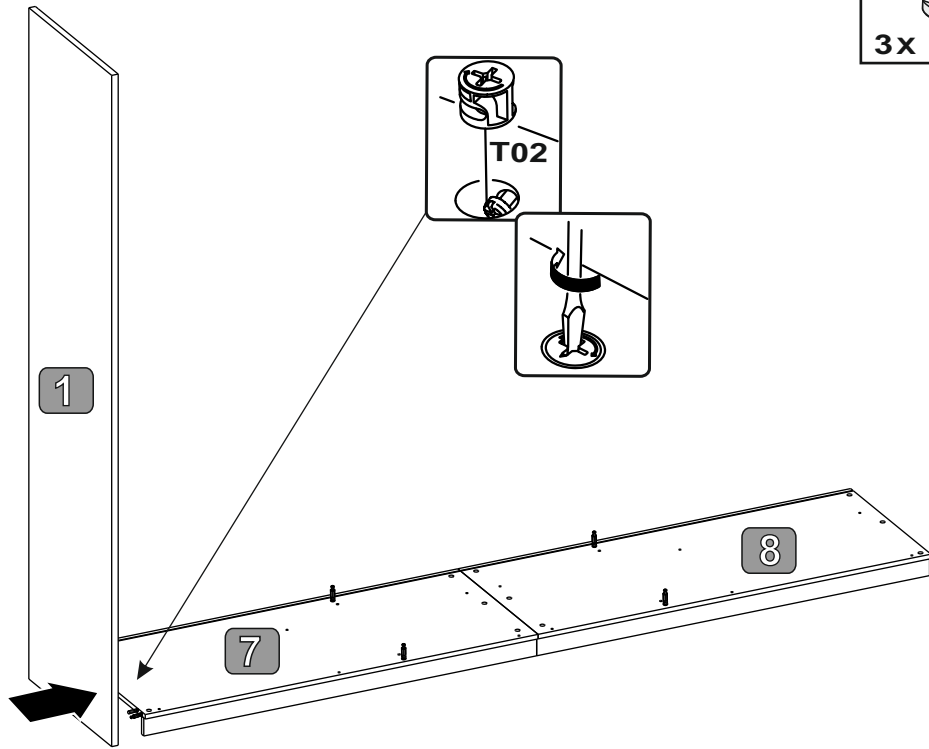
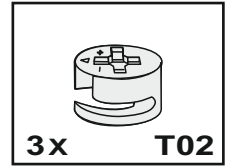
1



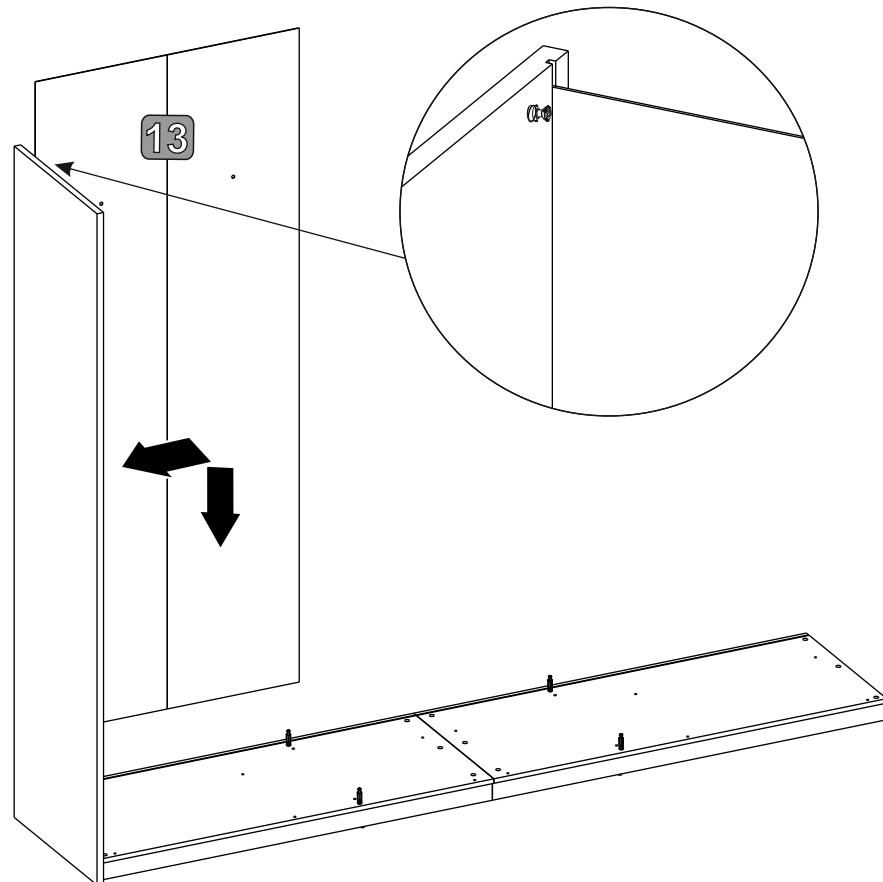
2



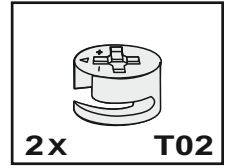
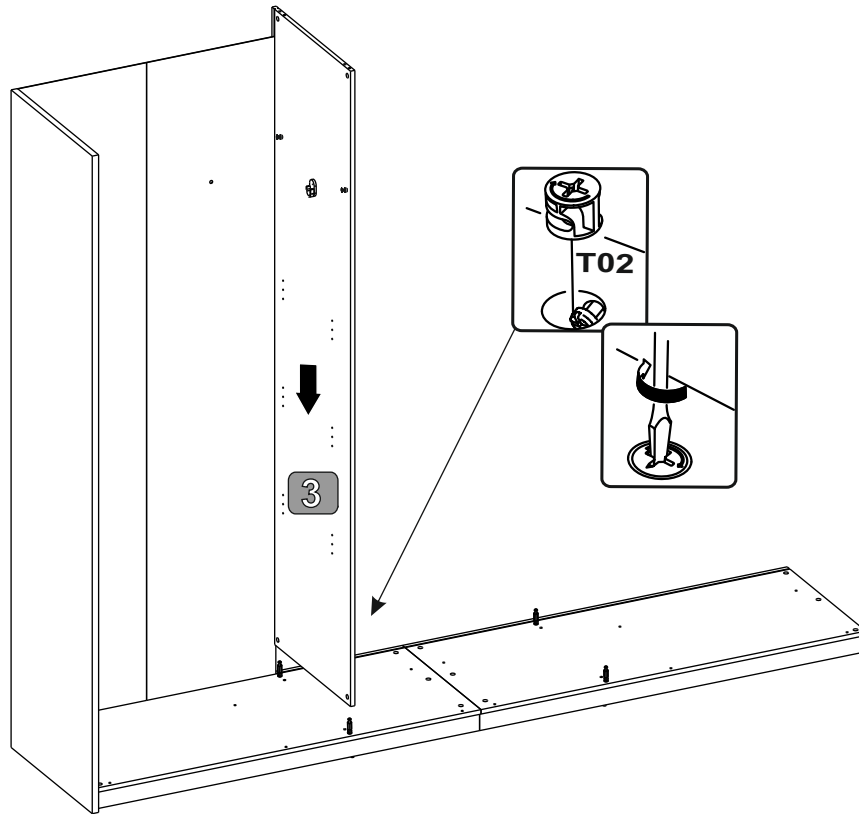
6



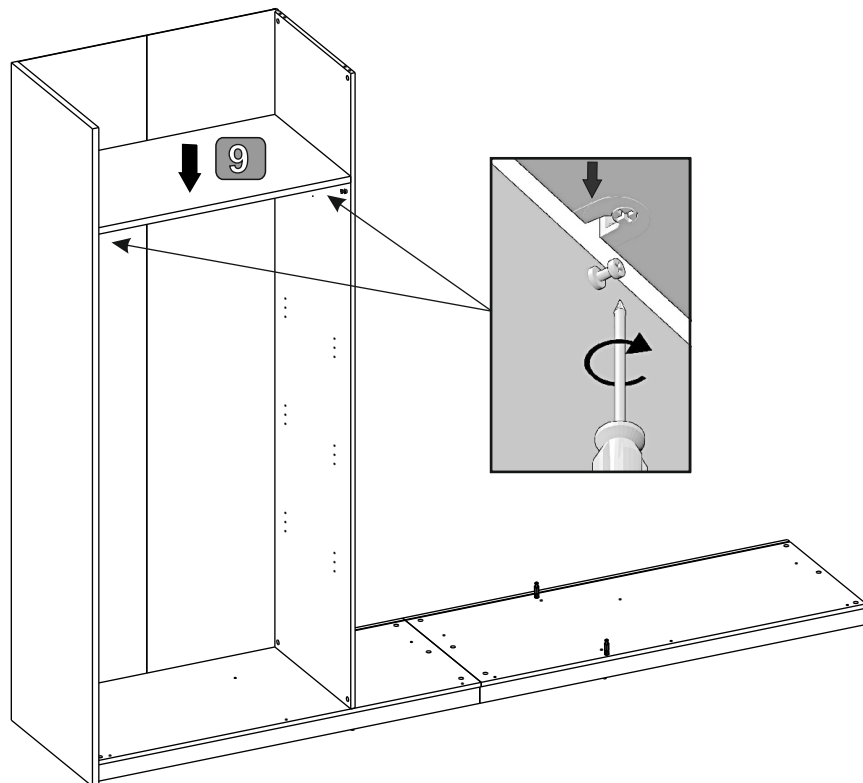
7



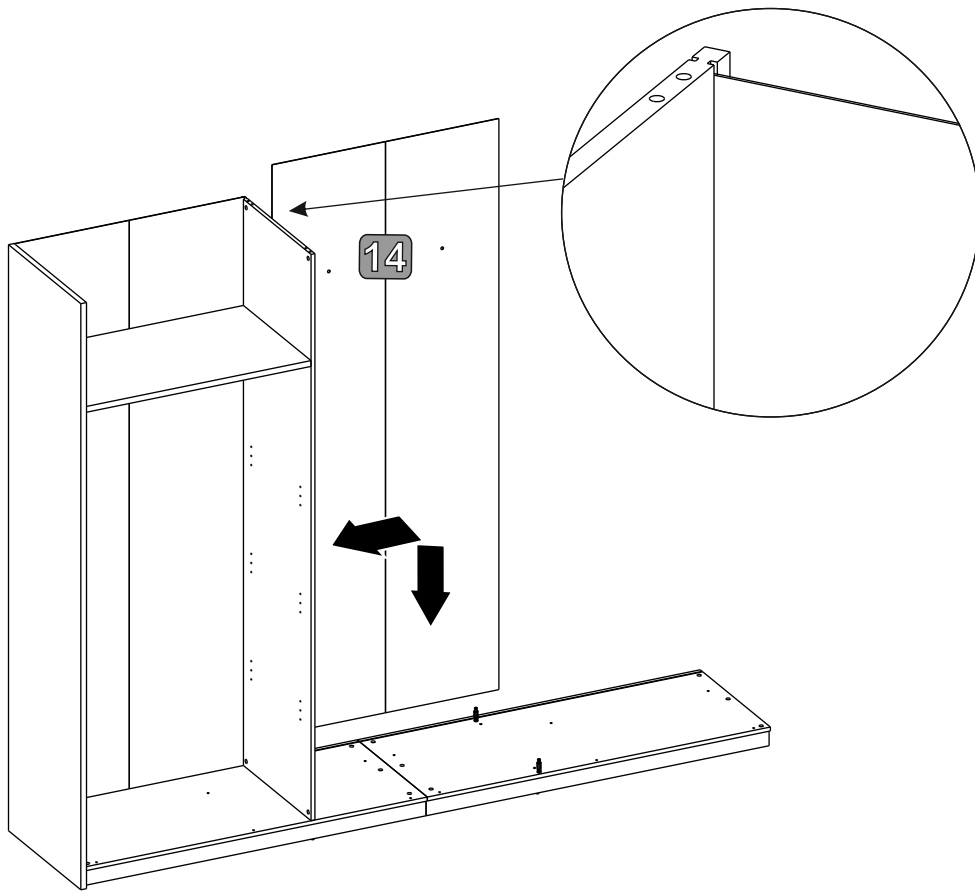
8



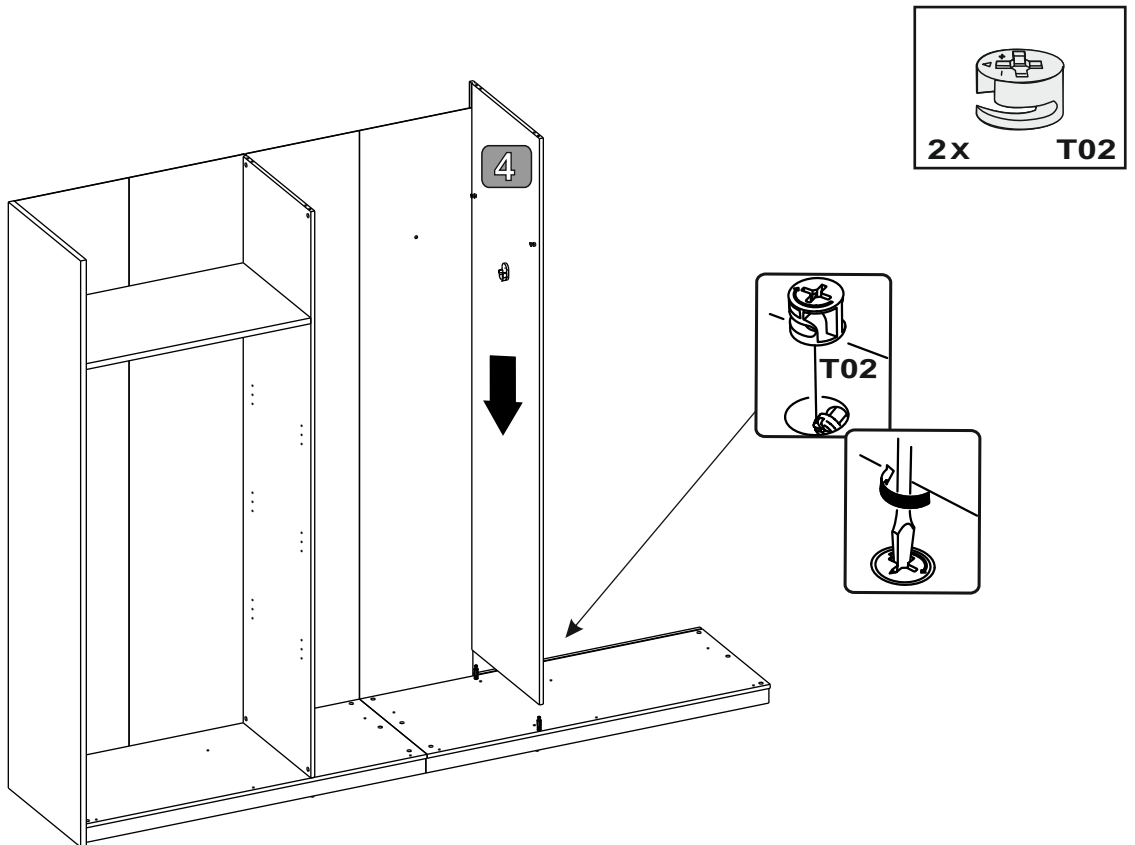
9



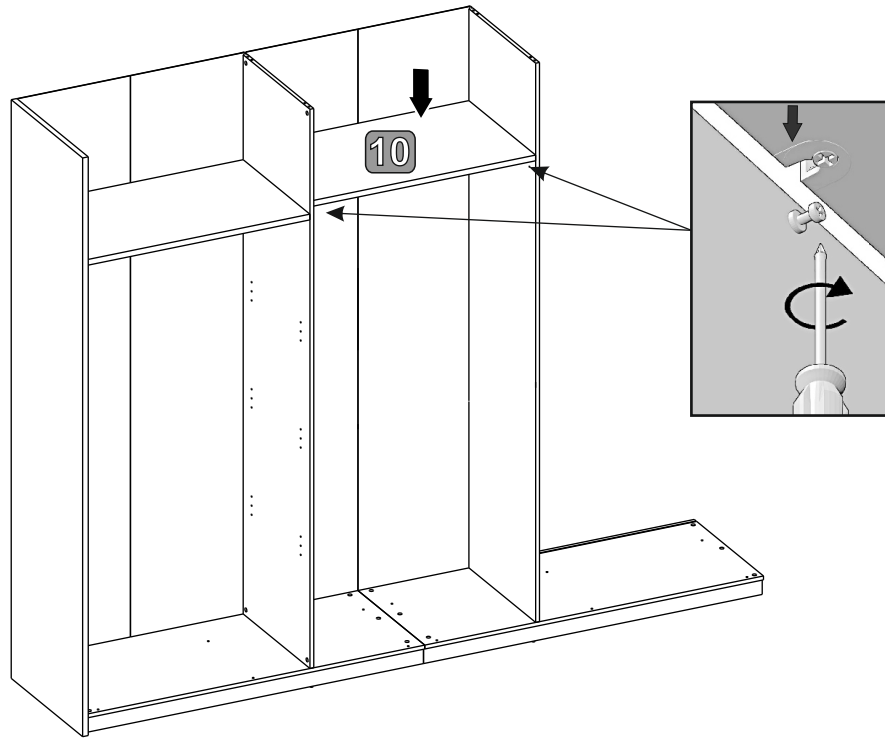
10



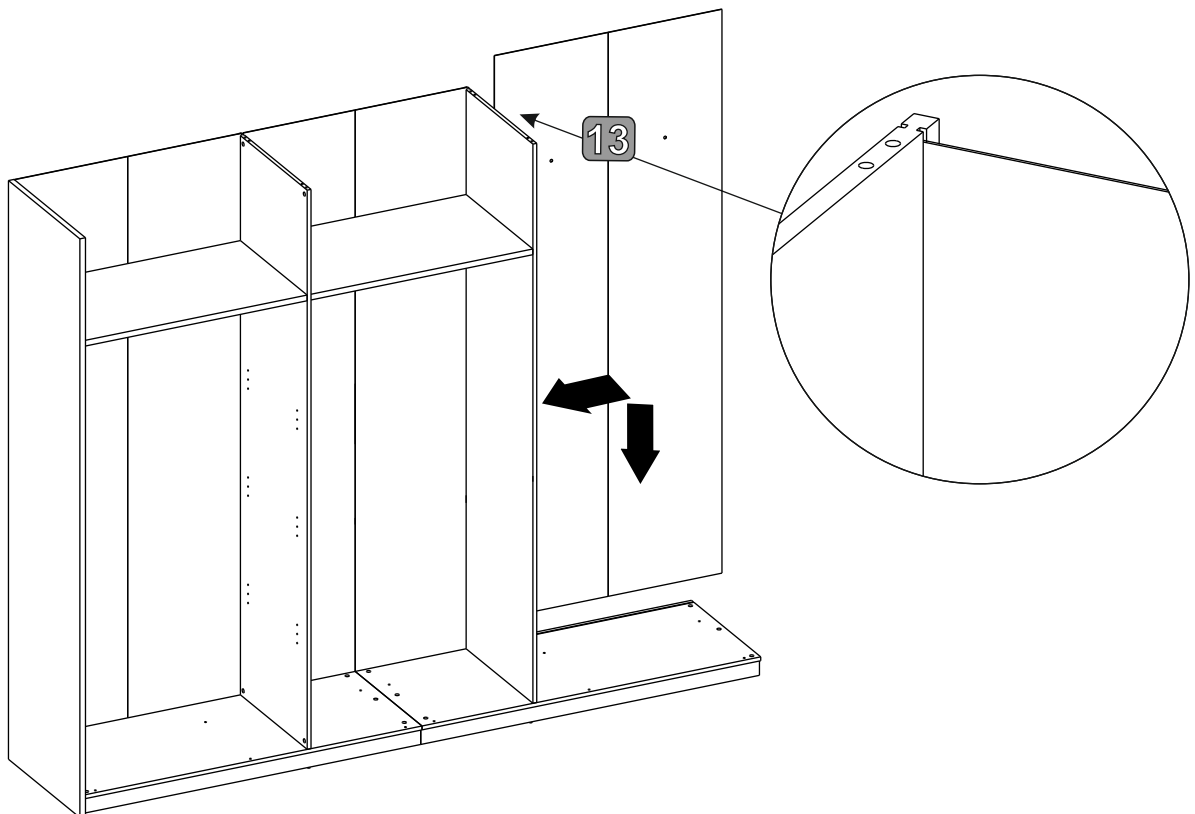
11



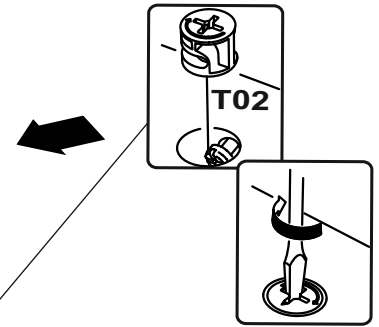
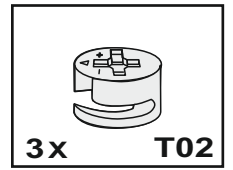
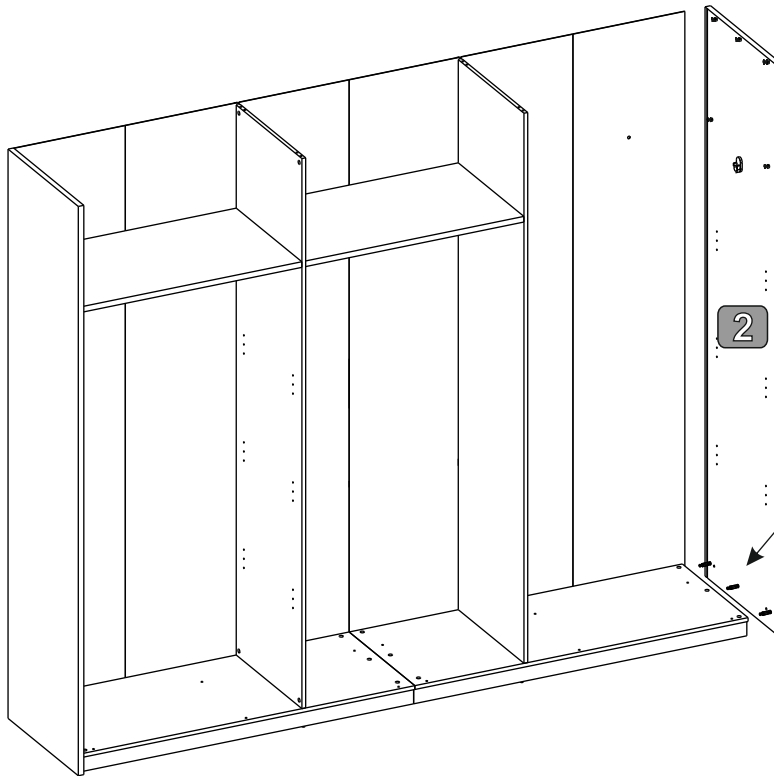
12



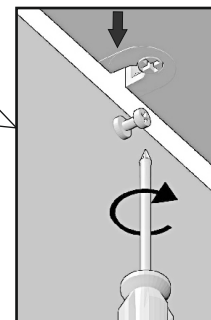
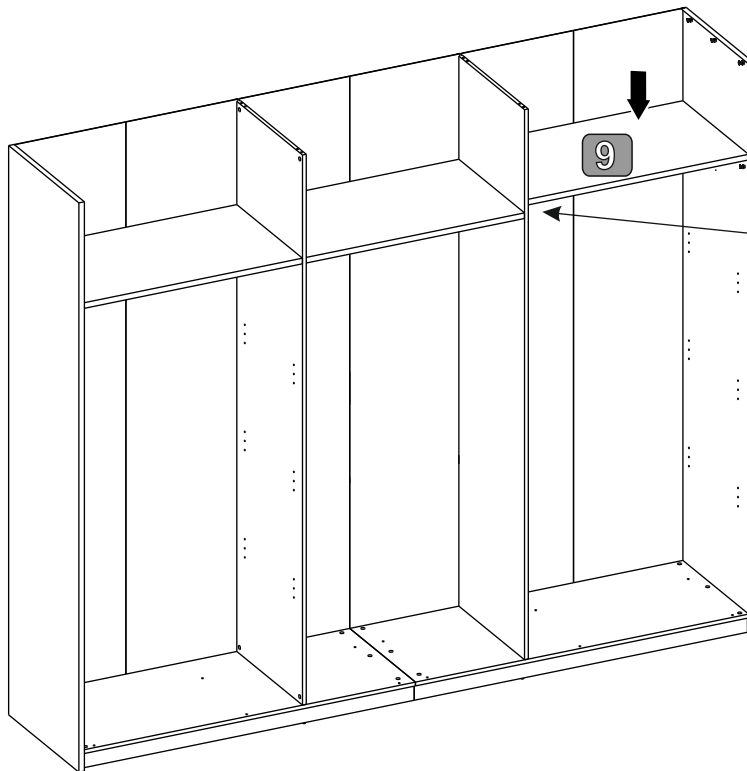
13



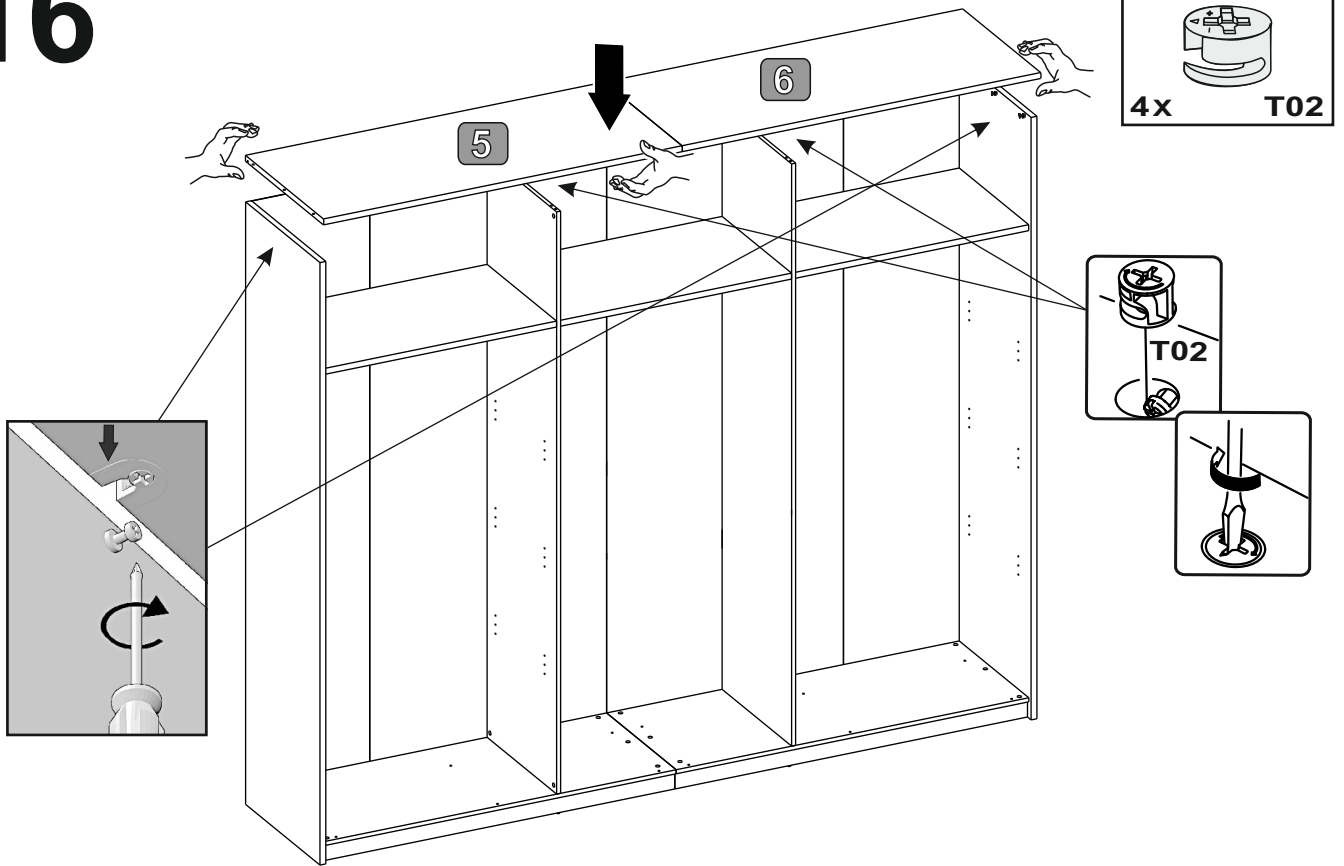
14



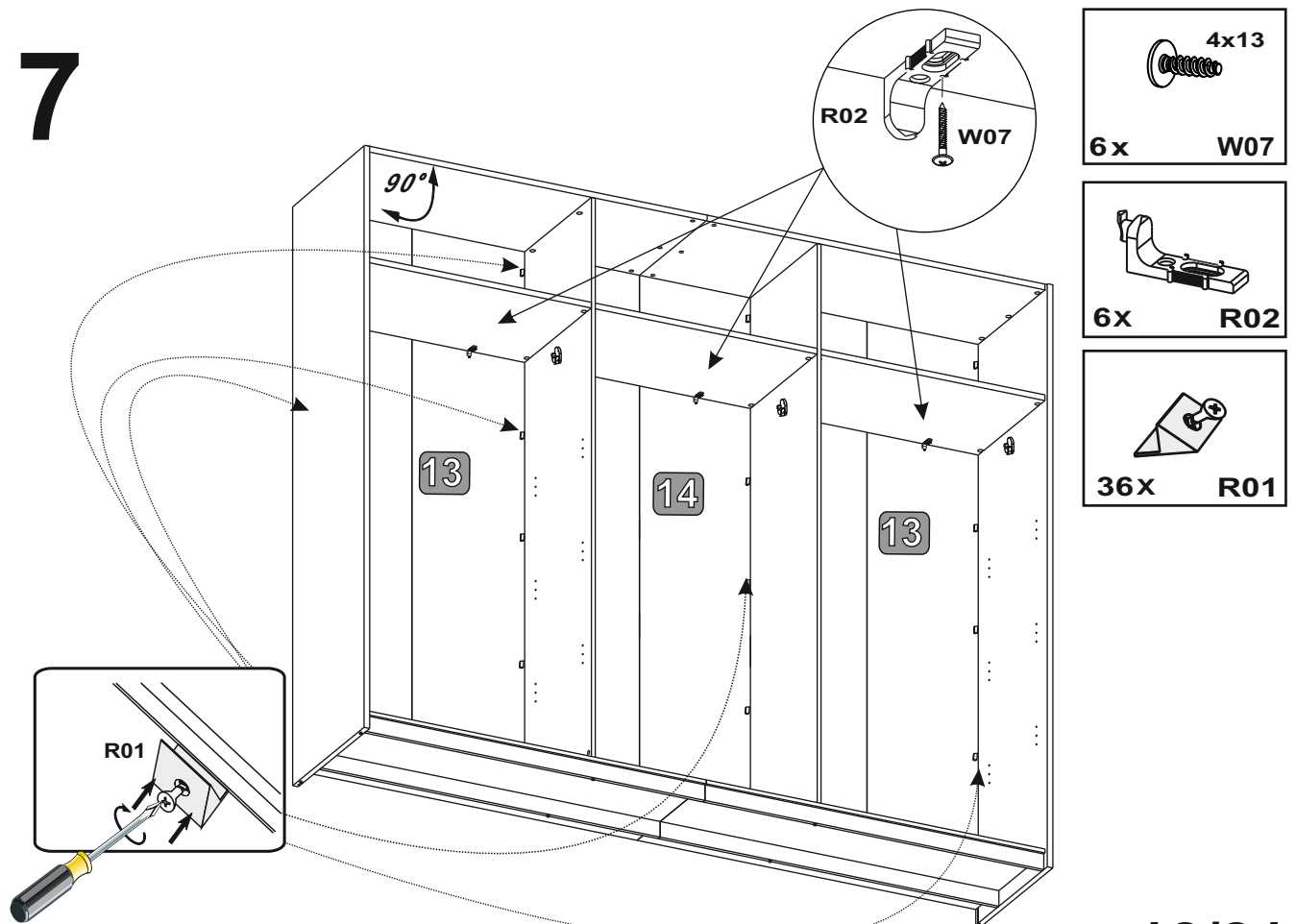
15



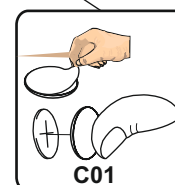
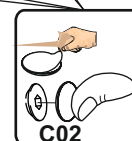
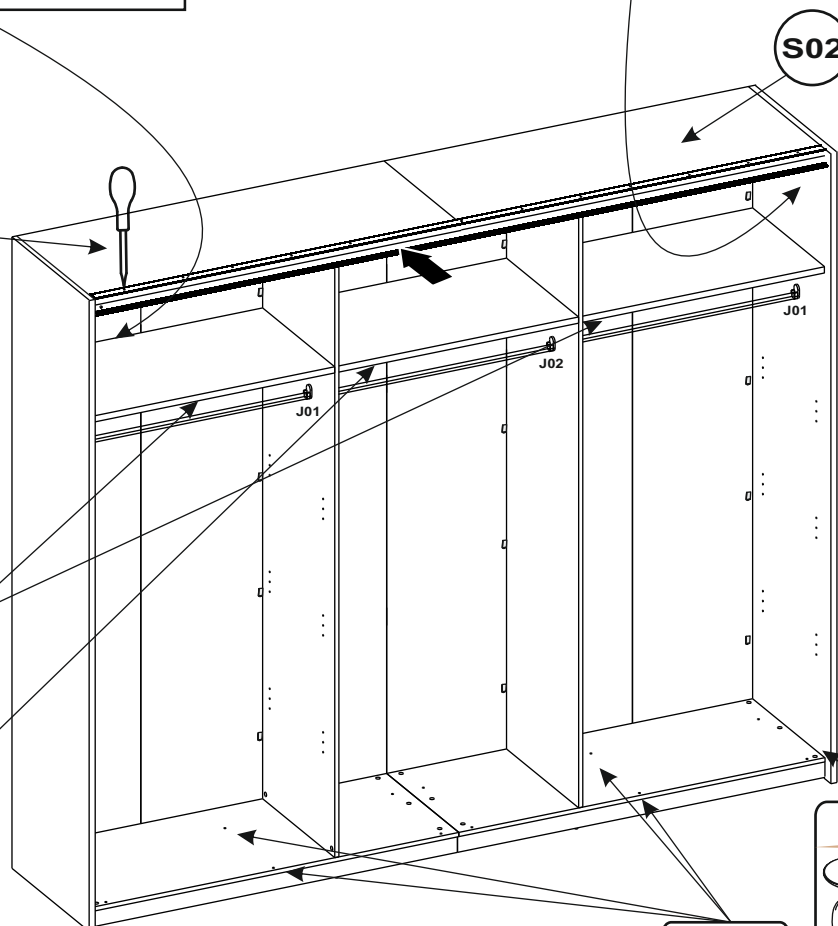
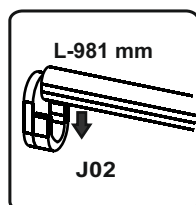
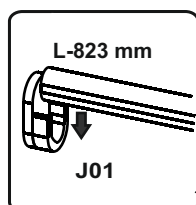
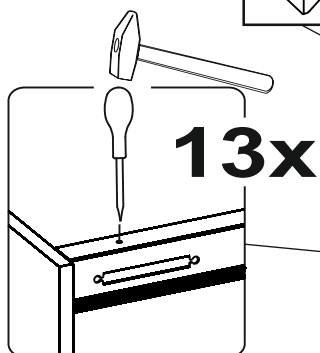
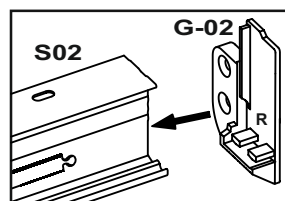
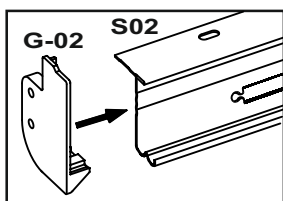
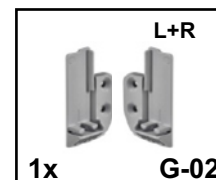
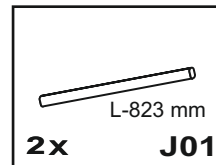
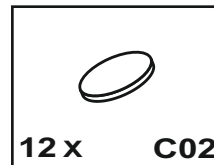
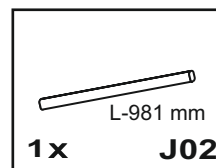
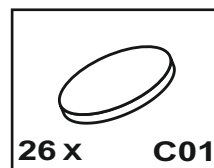
16





17

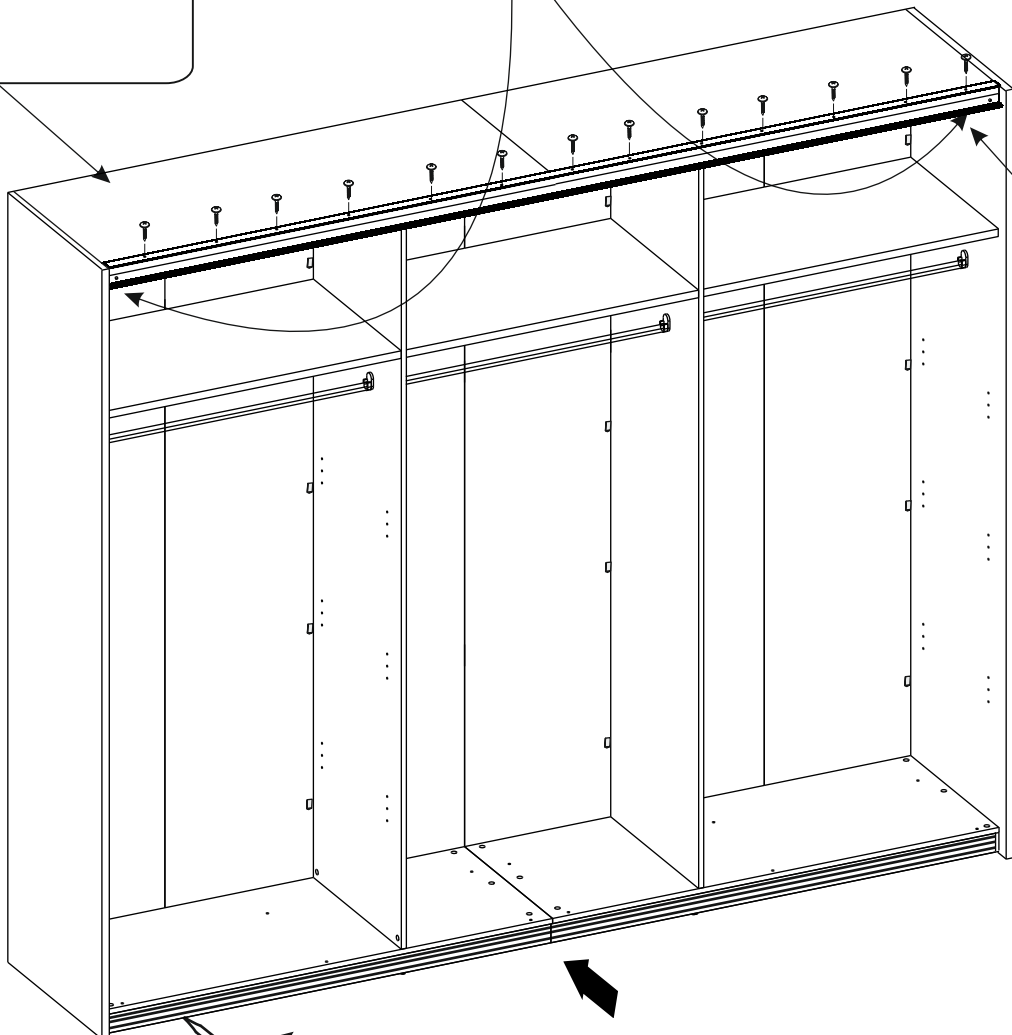
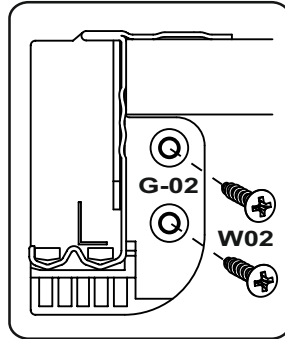
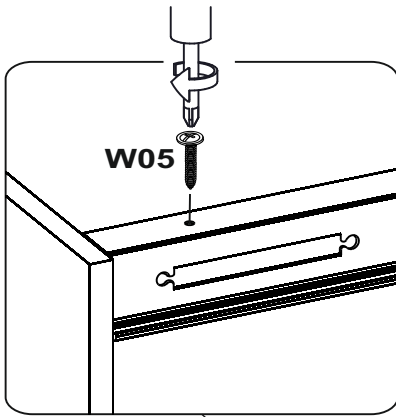


18

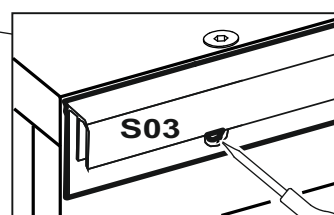
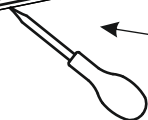


19

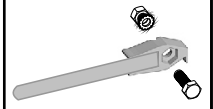
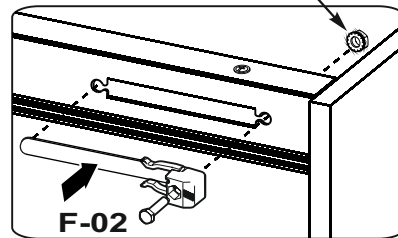
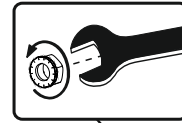
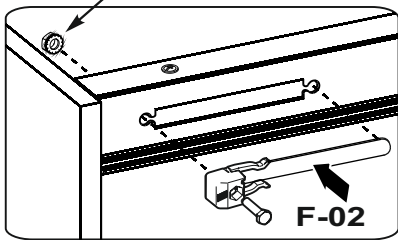
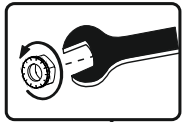
- 3,5x13 
- 13X W05
- 3,5x13 
- 4X W02



S02

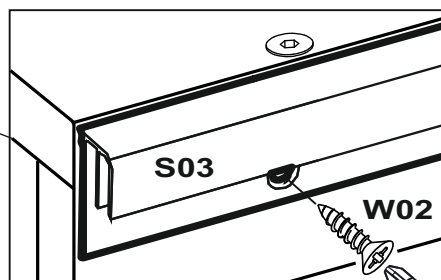
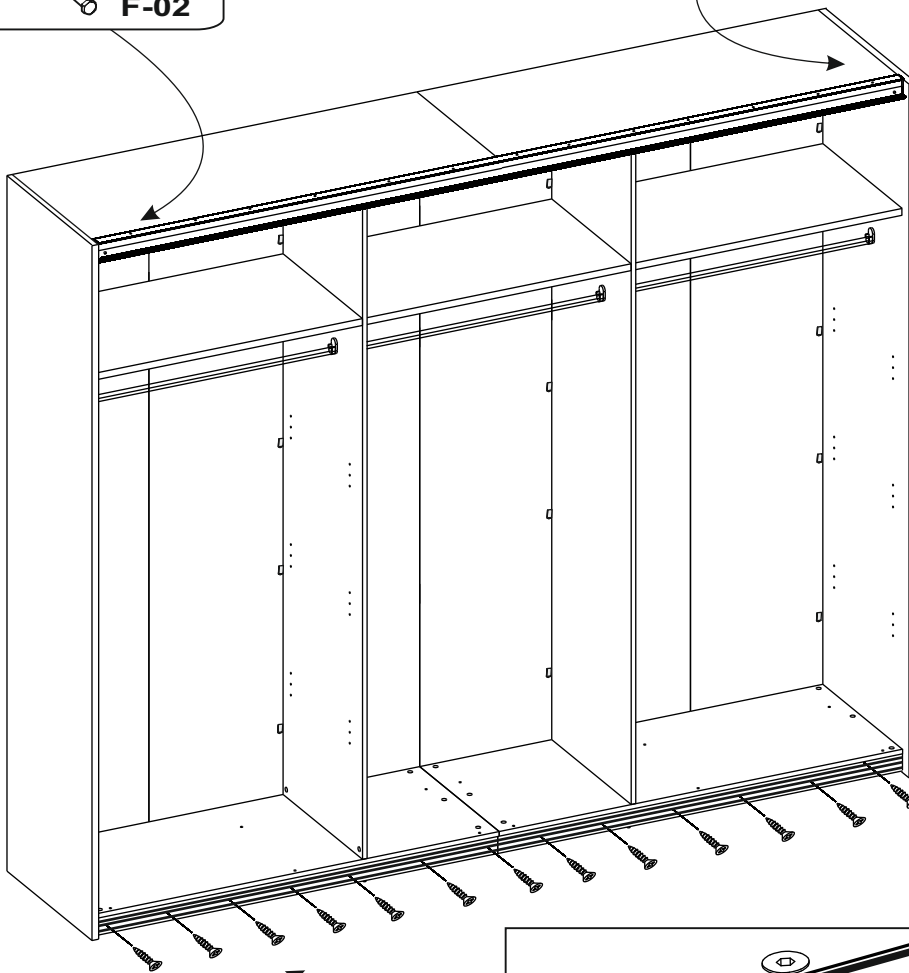
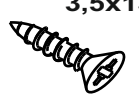


20


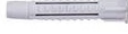




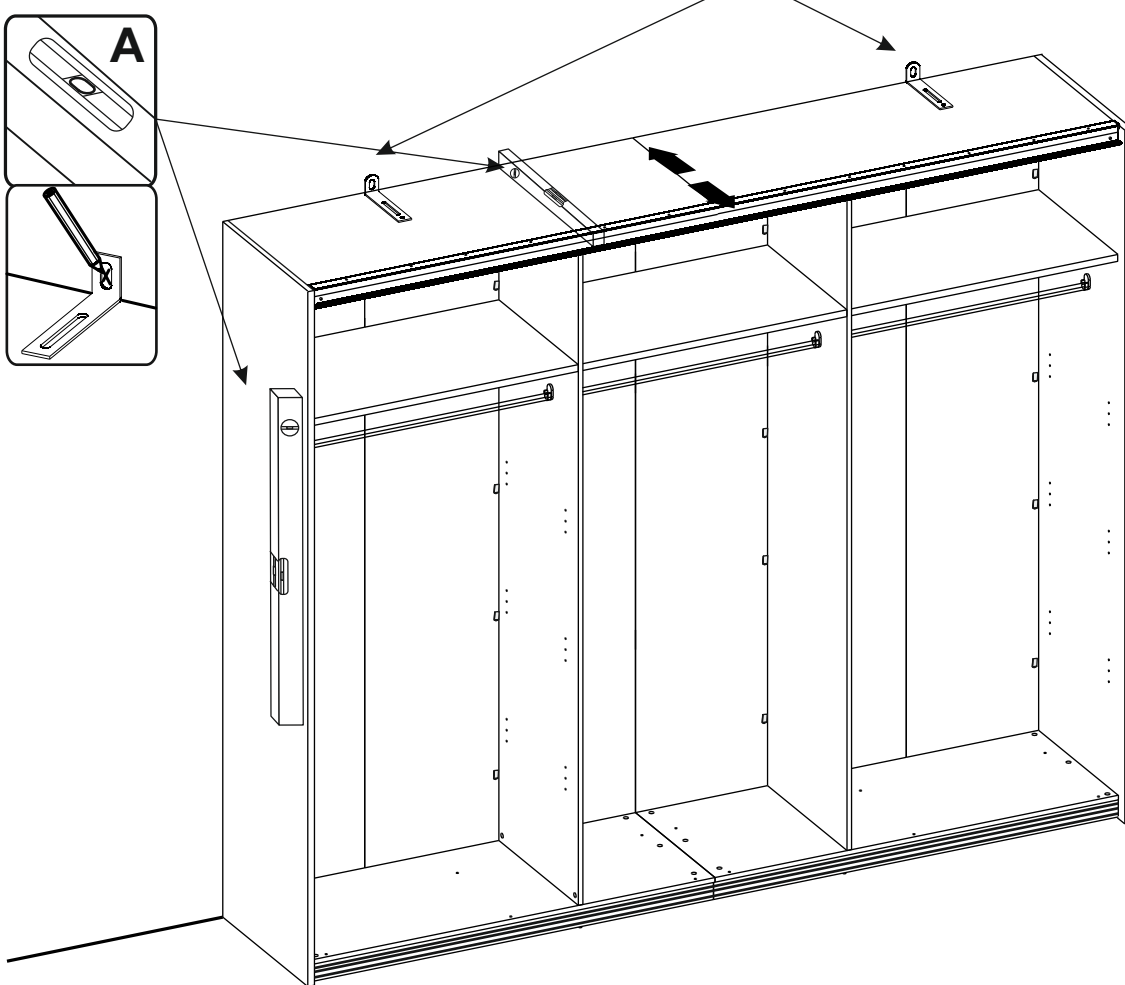
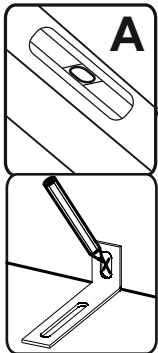
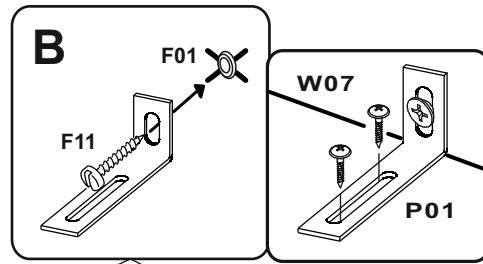
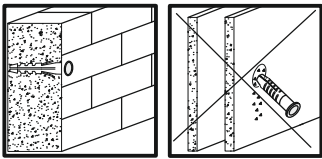
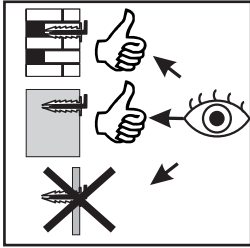
2x F-02

3,5x13
13x W02

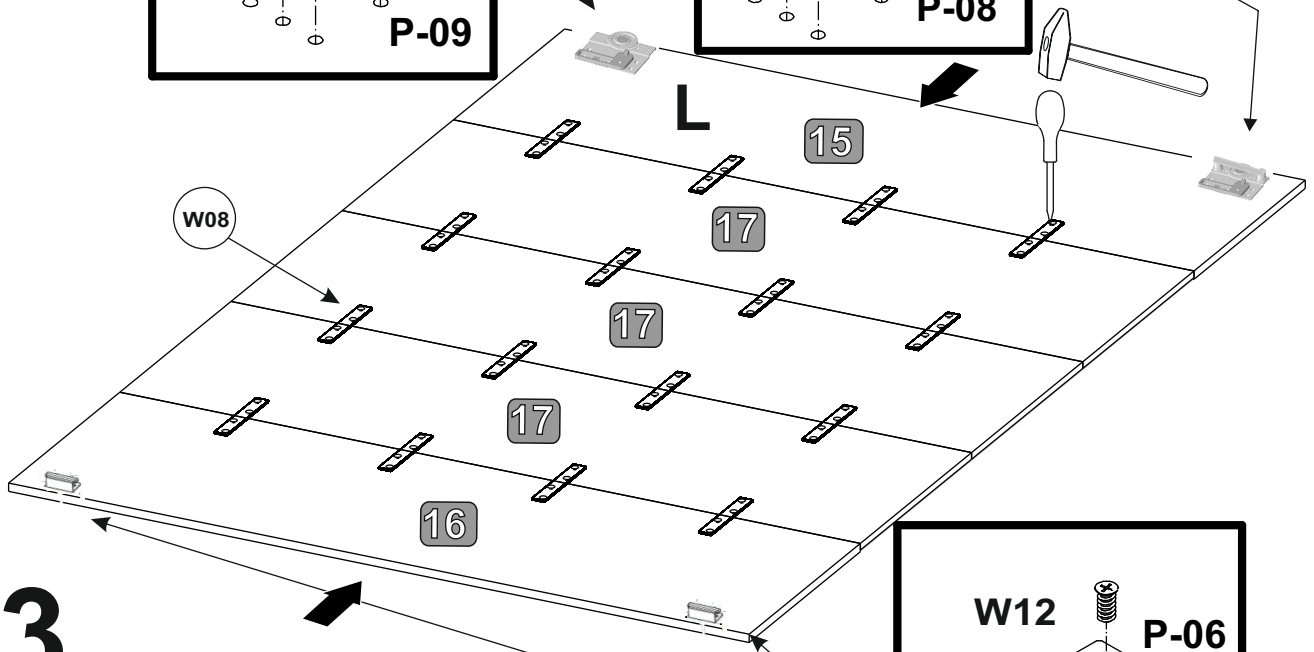
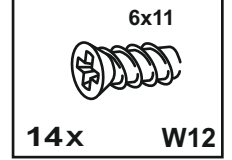
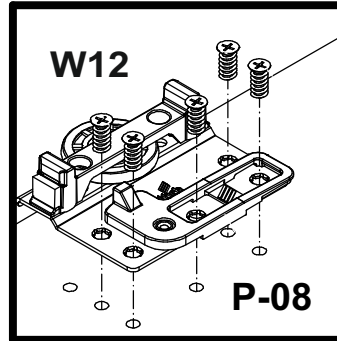
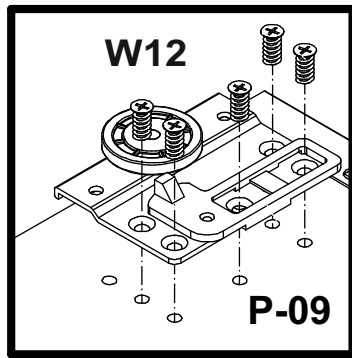
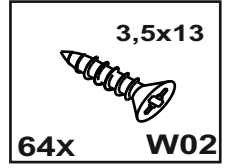
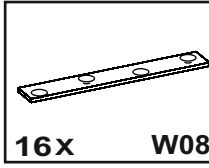
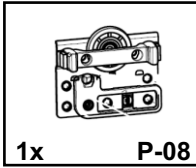
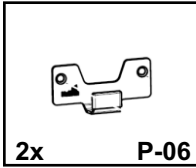
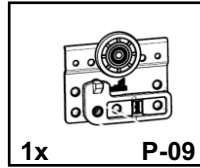


21

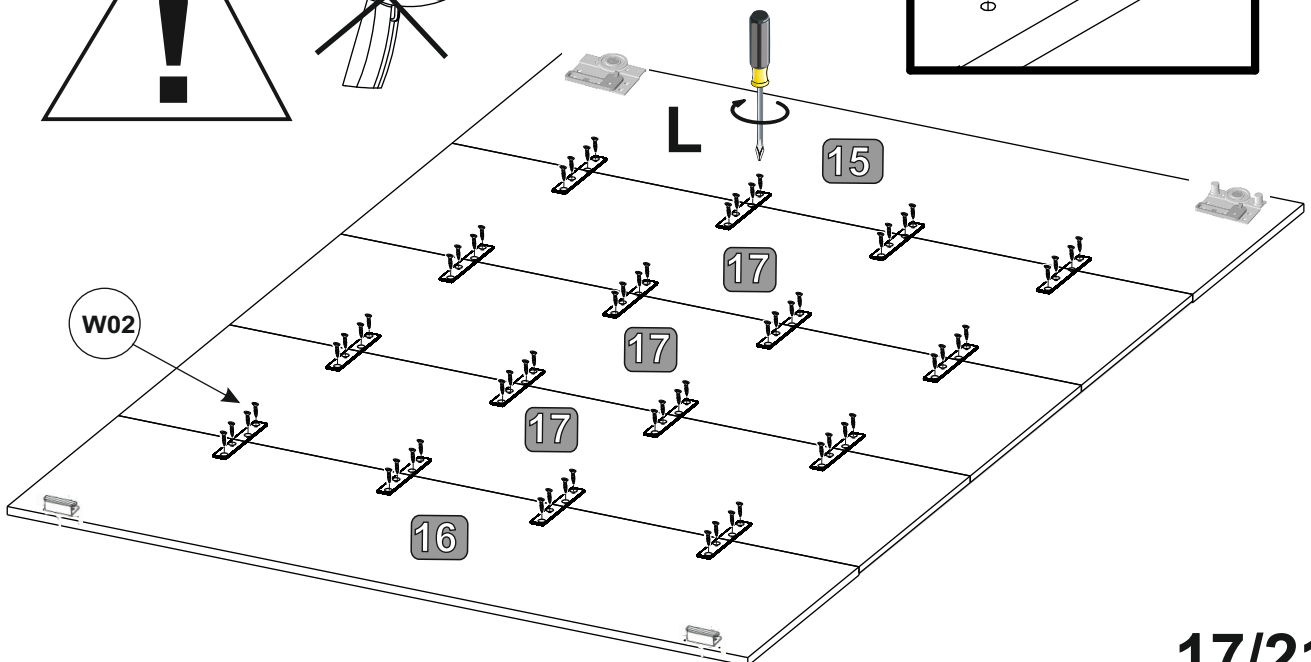
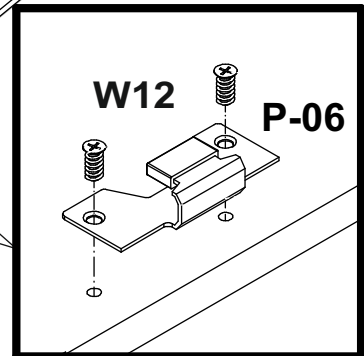
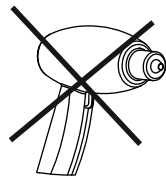
							
2x	F11	2x	F01	4x	W07	2x	P01



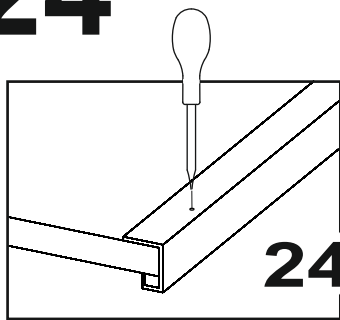
22



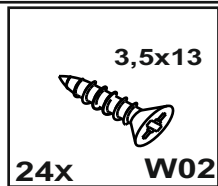
23



24



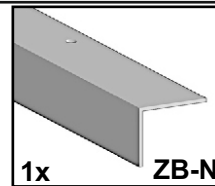
24x



3,5x13

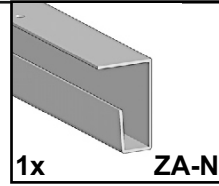
24x

W02



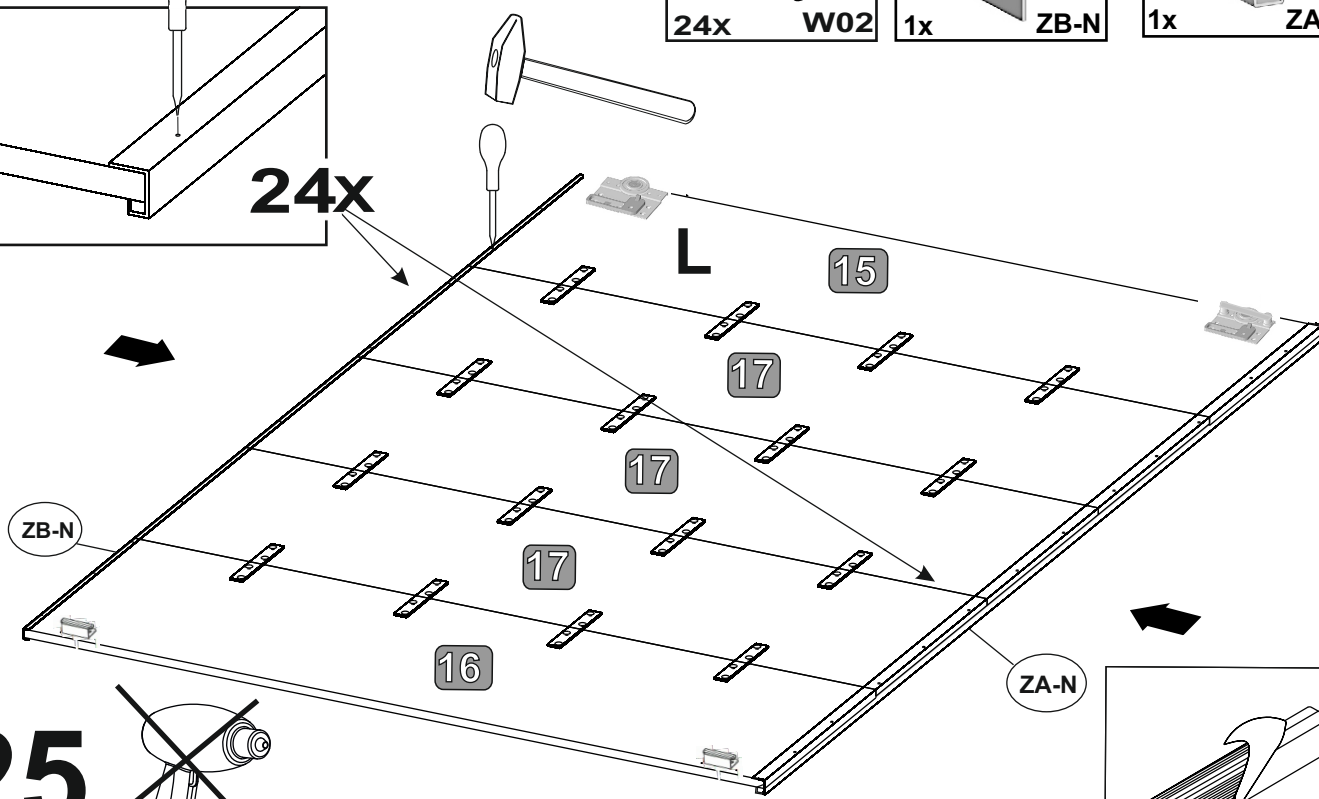
1x

ZB-N

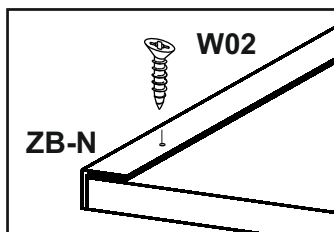
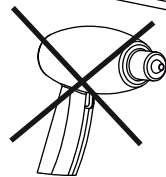


1x

ZA-N

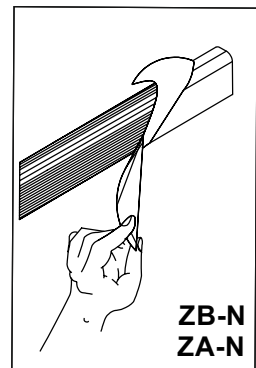
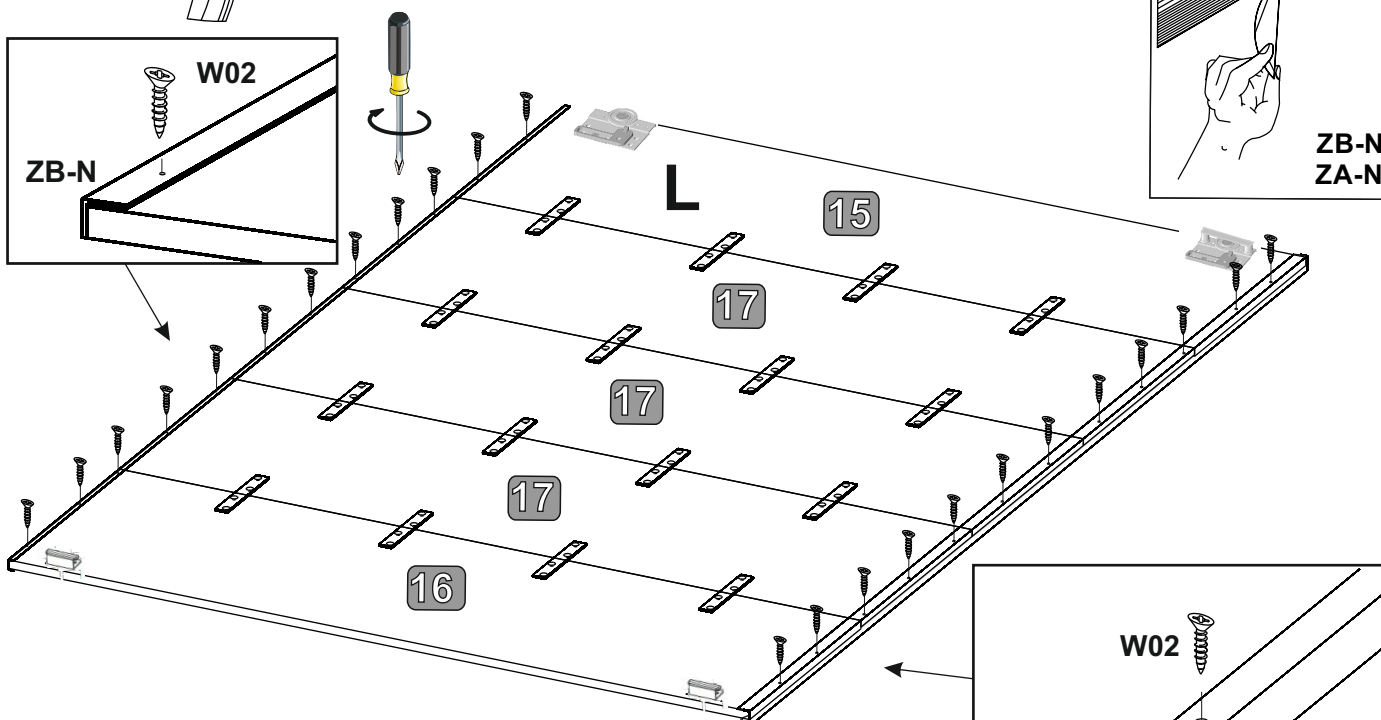


25

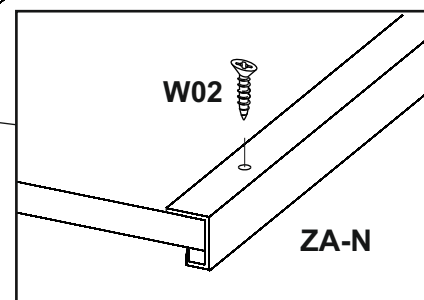


W02

ZB-N



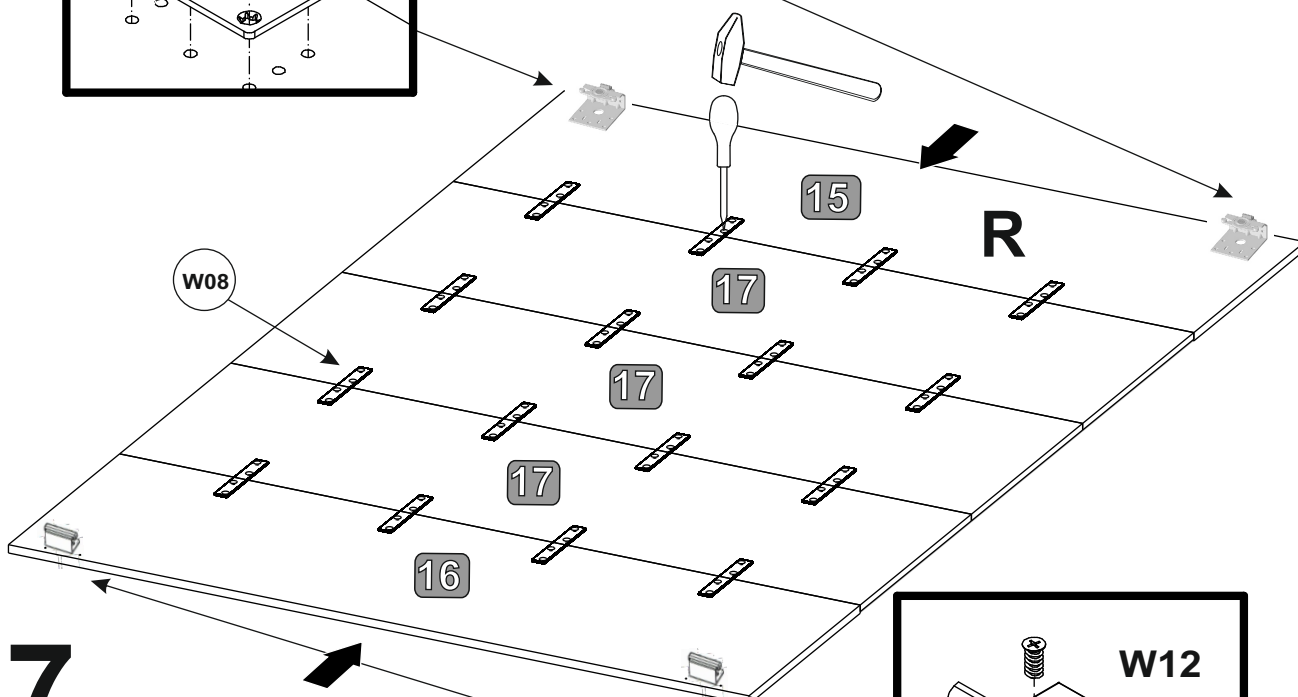
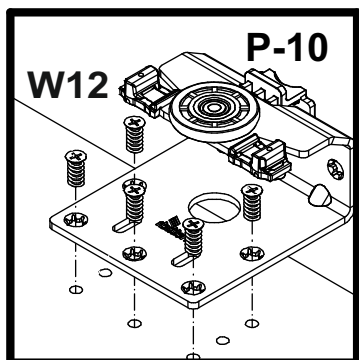
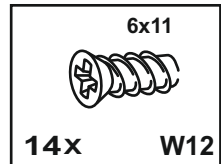
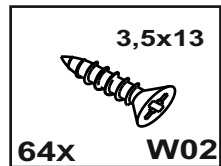
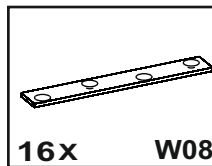
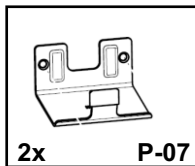
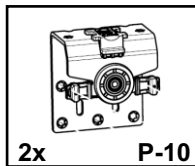
ZB-N
ZA-N



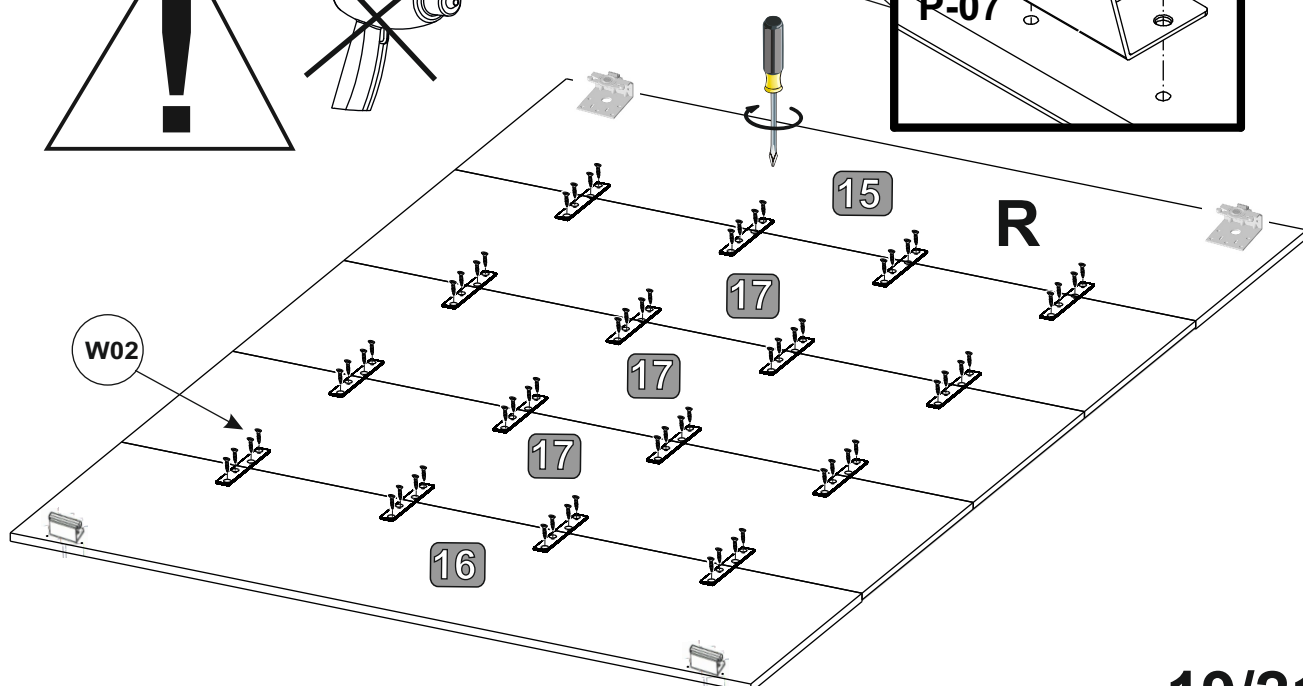
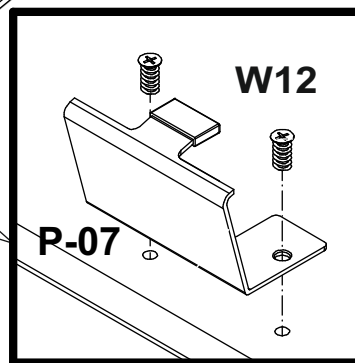
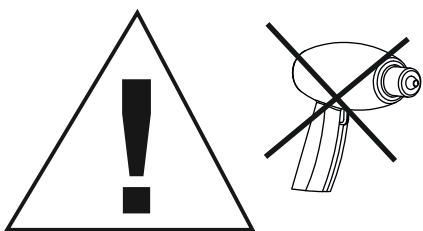
W02

ZA-N

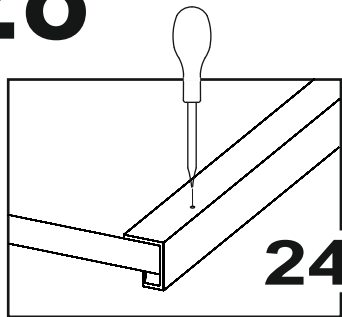
26



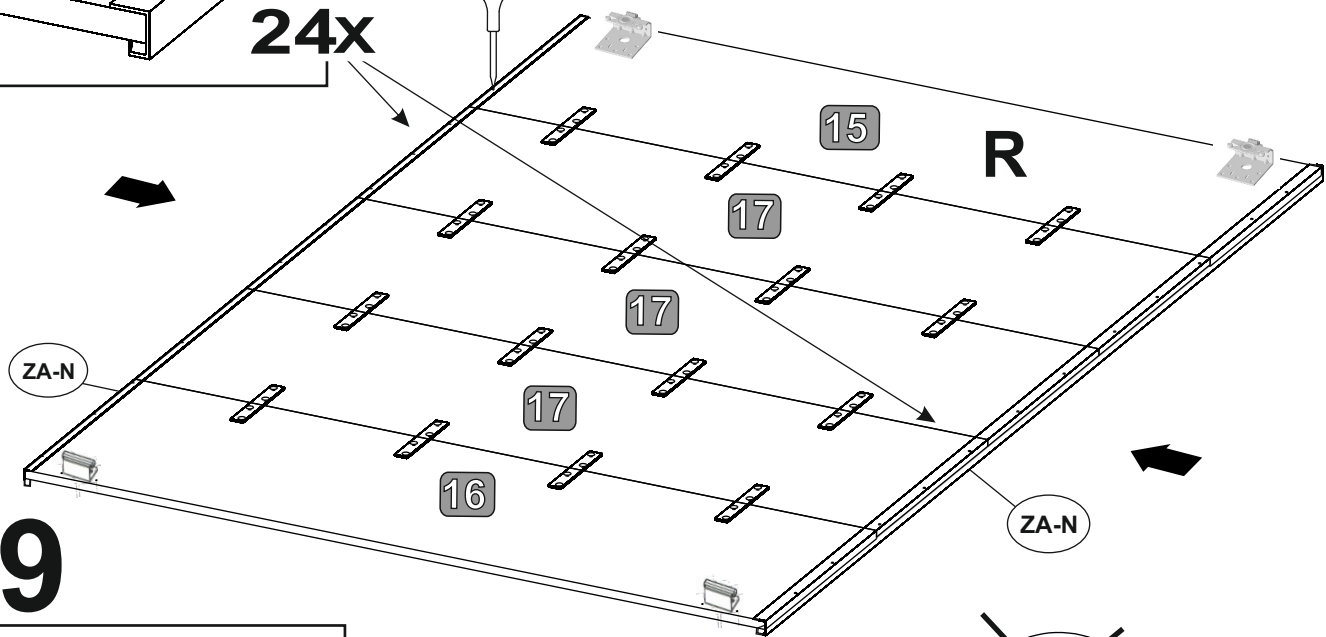
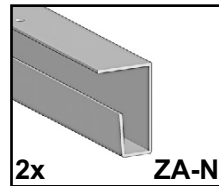
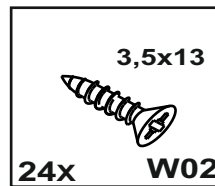
27



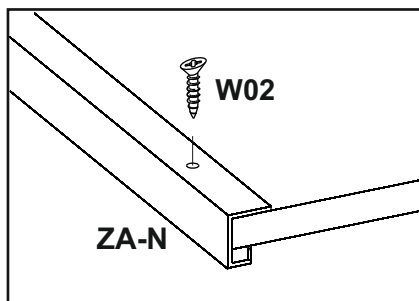
28



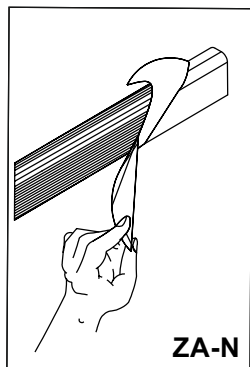
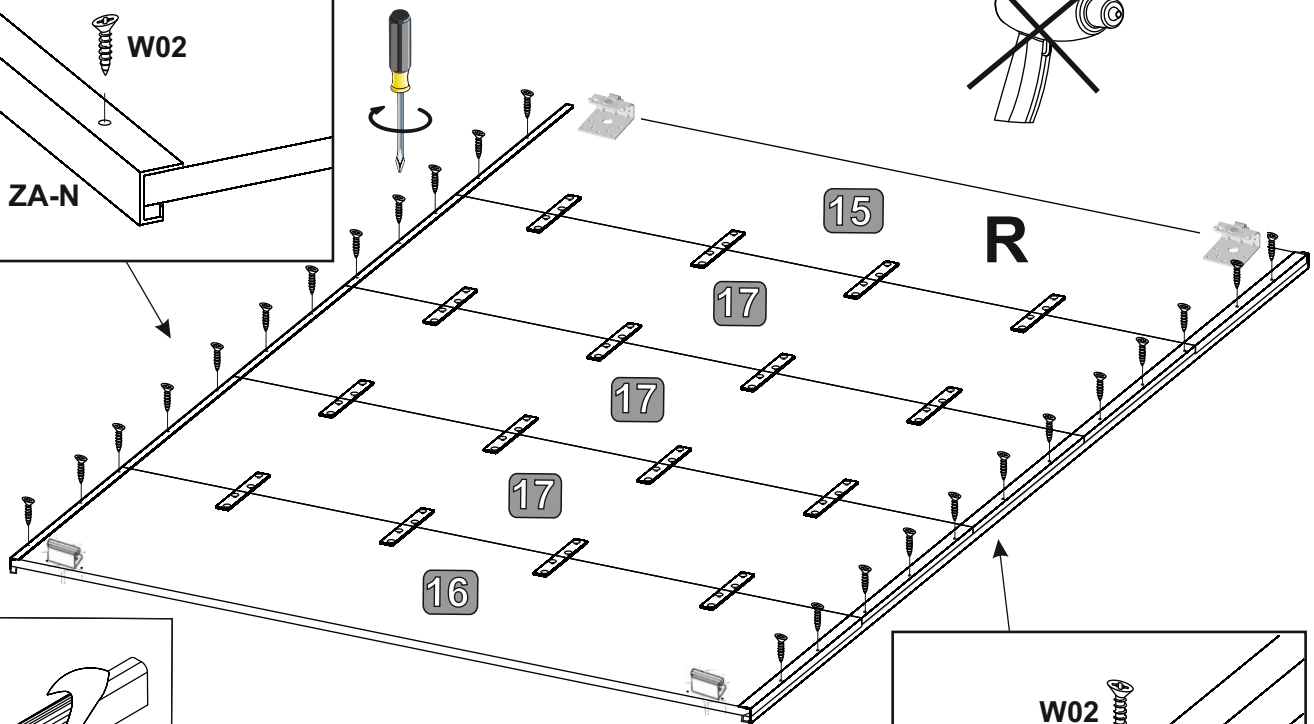
24x



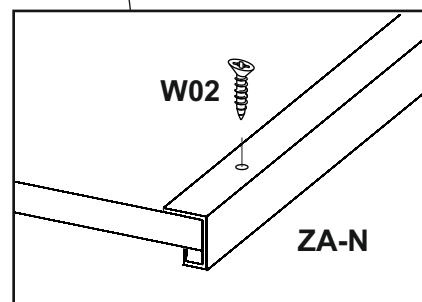
29



ZA-N

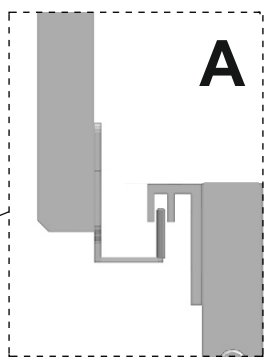
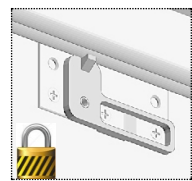
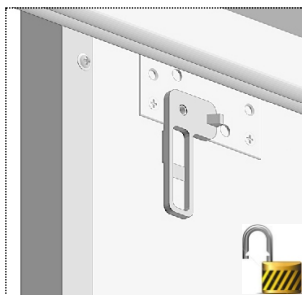
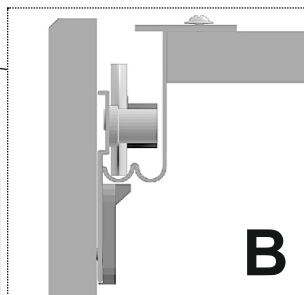
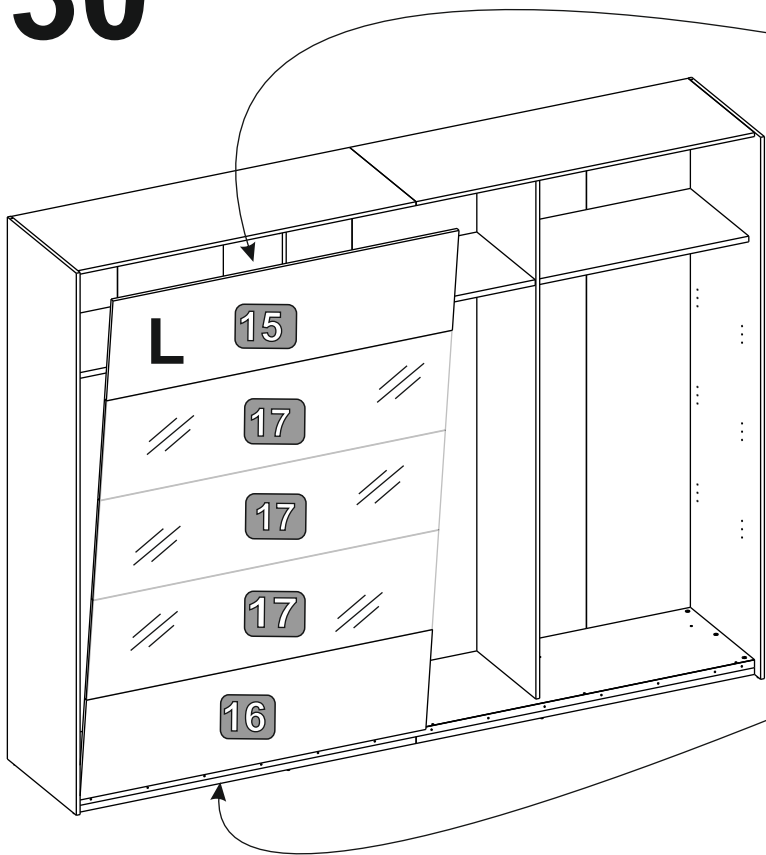


ZA-N



ZA-N

30



31

