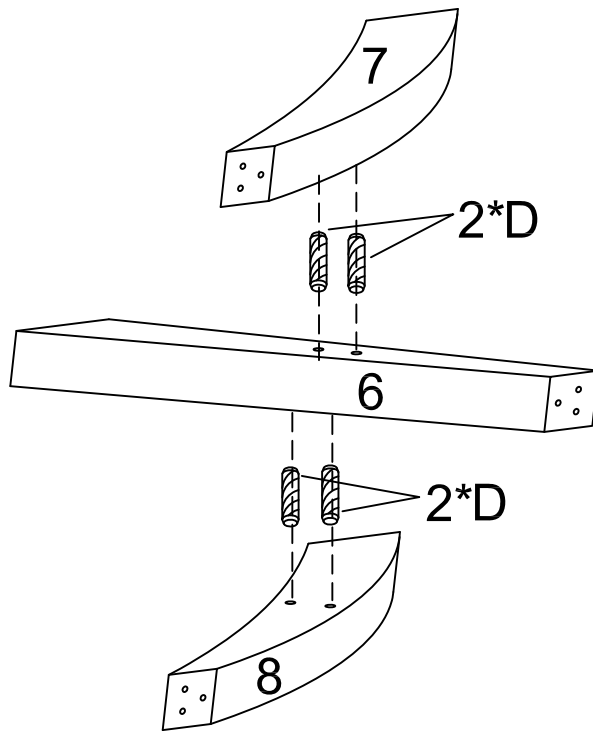

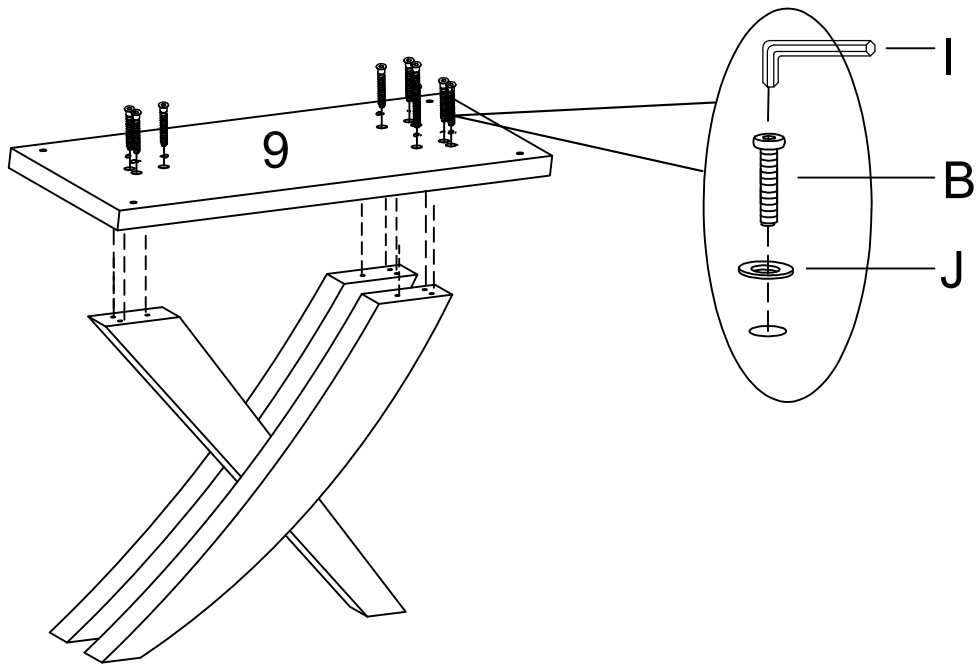
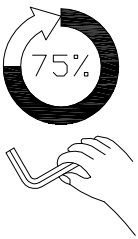





1



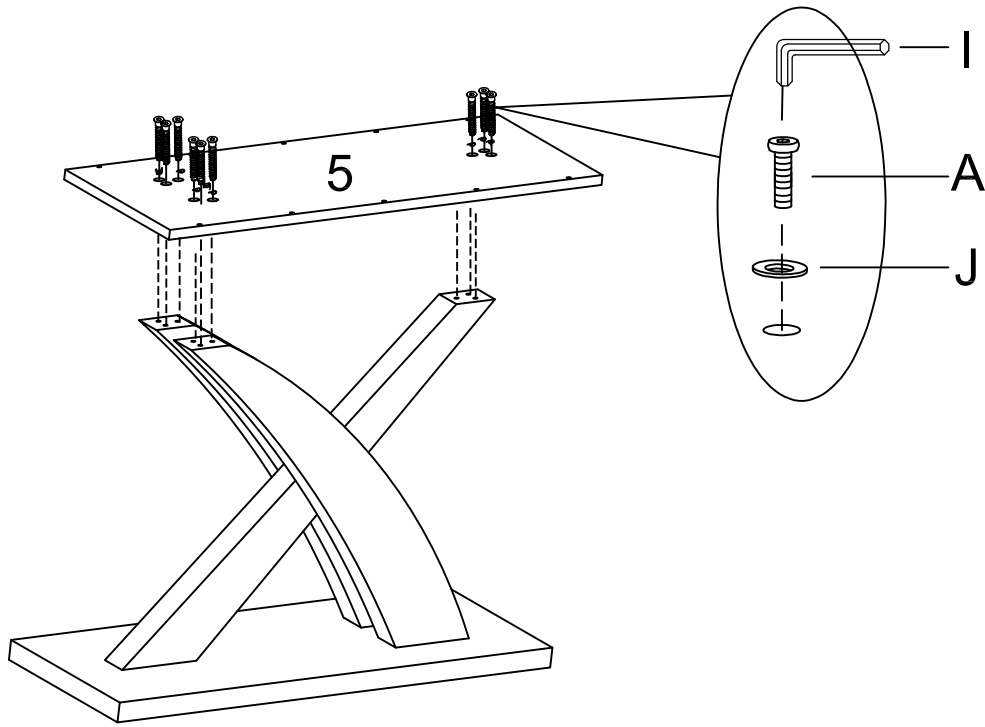
D	x4
	
Ø15*40mm	

2



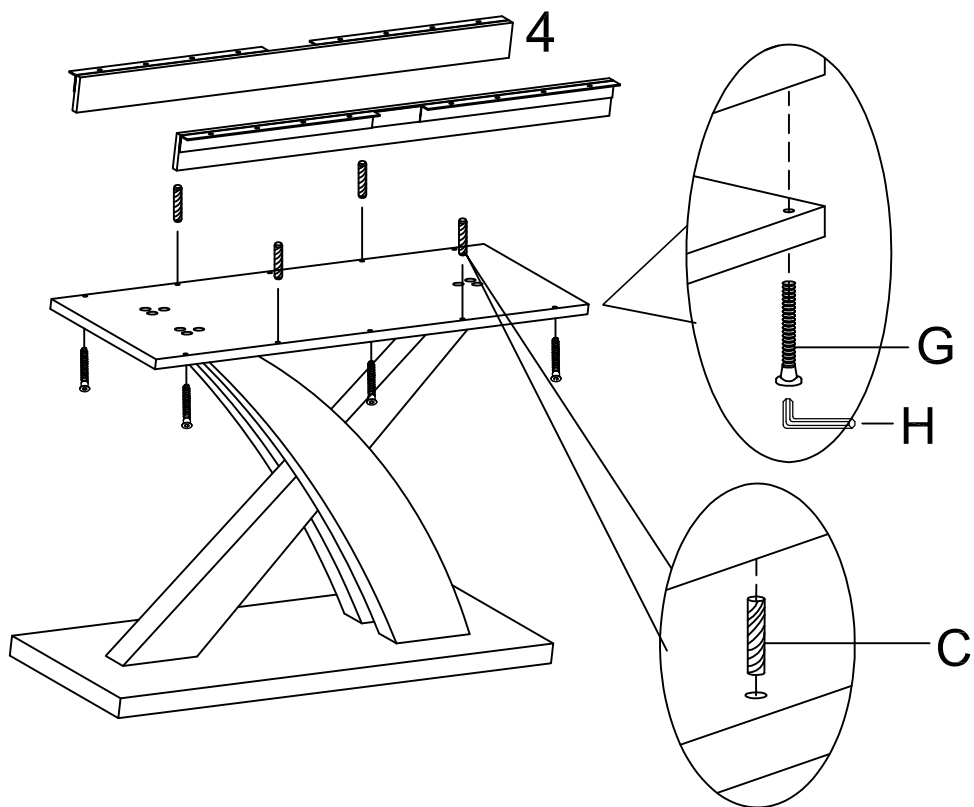
I	x1	B	x9	J	x9
					
M5		M8*45mm		20*1.5mm	

3



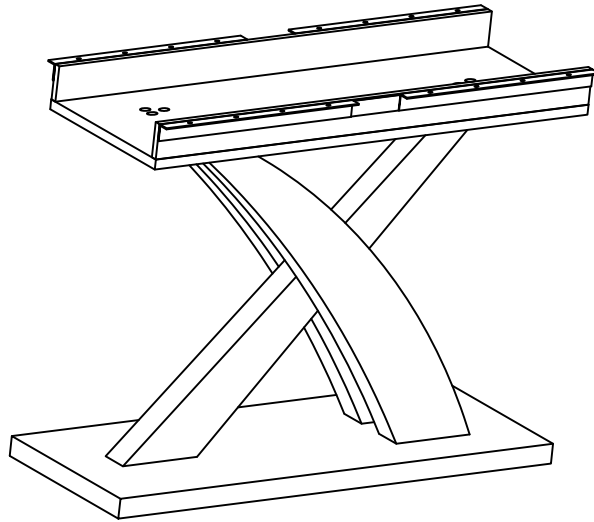
A	x9	I	x1	J	x9
M8*30mm		M5		20*1.5mm	

4

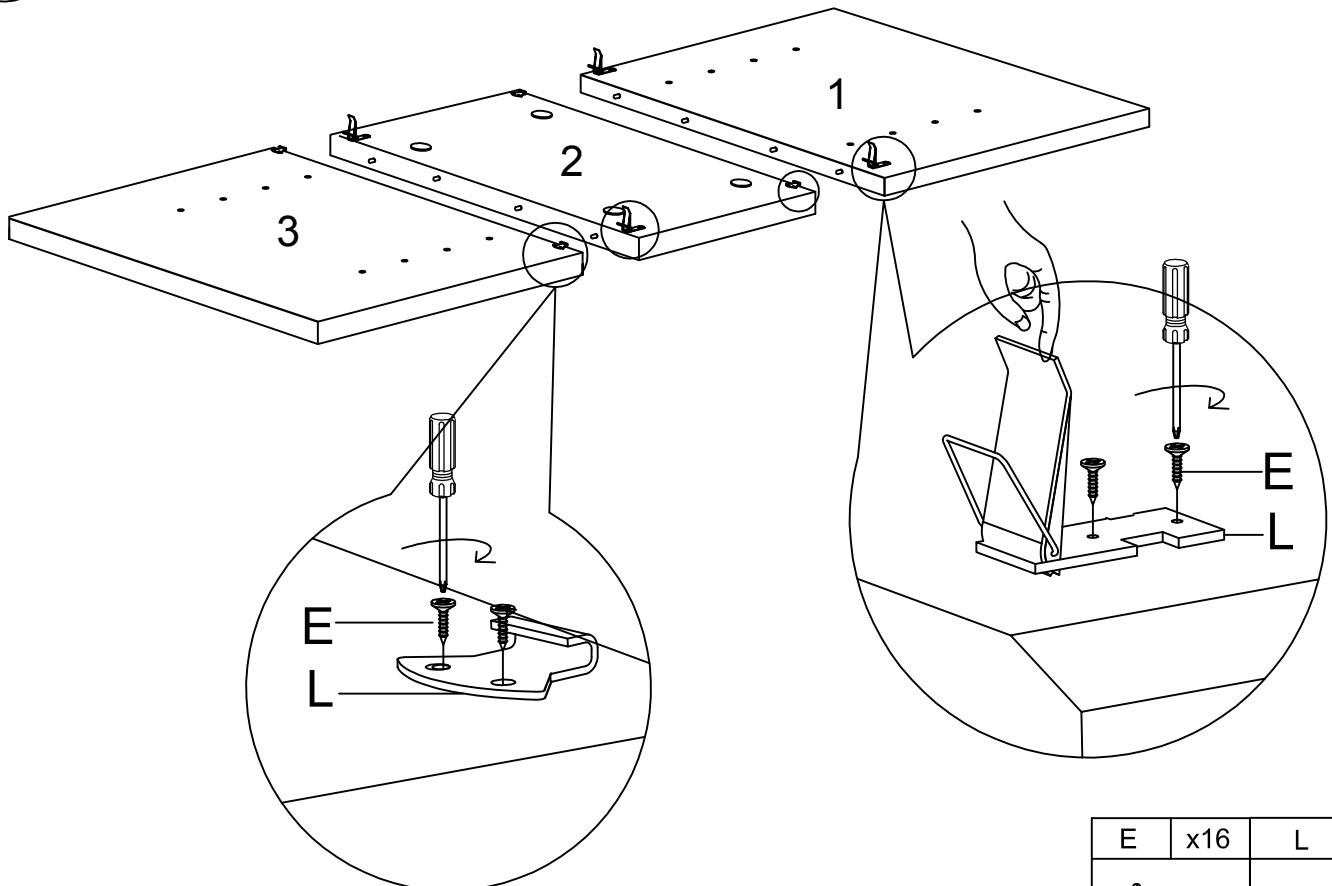


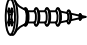

H	x1	C	x4	G	x6
M4		Ø8*30mm		Ø7*50mm	

5



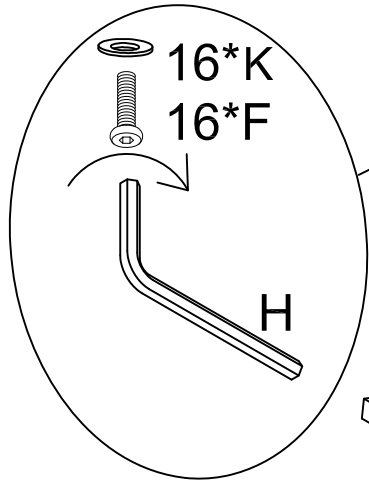
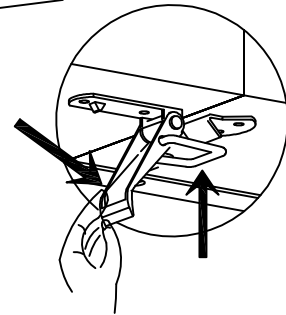
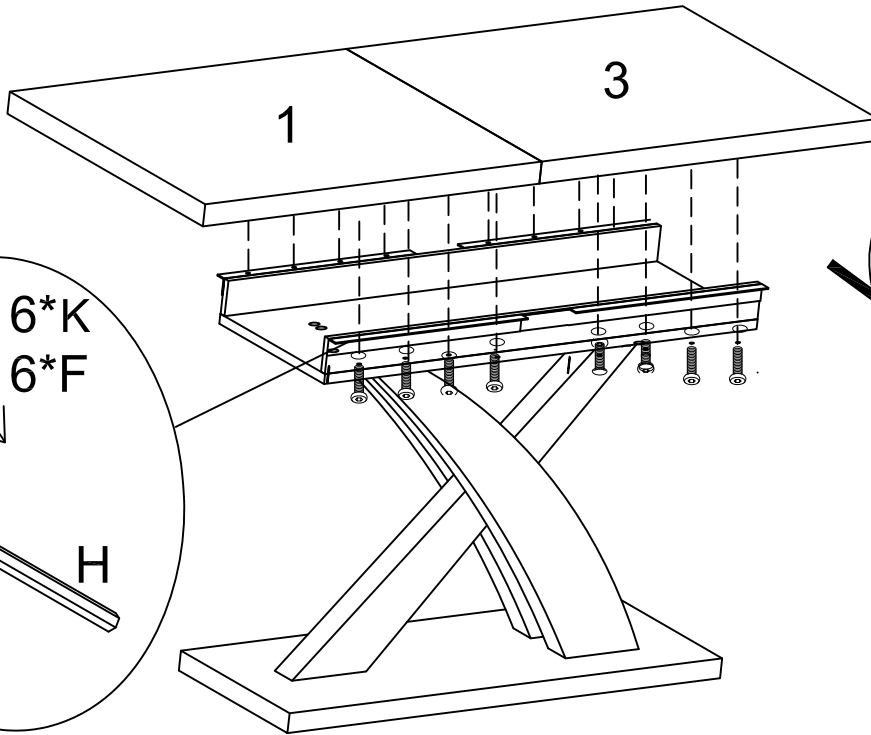
6






E	x16	L	x4
			
Ø3.5*14mm			

7

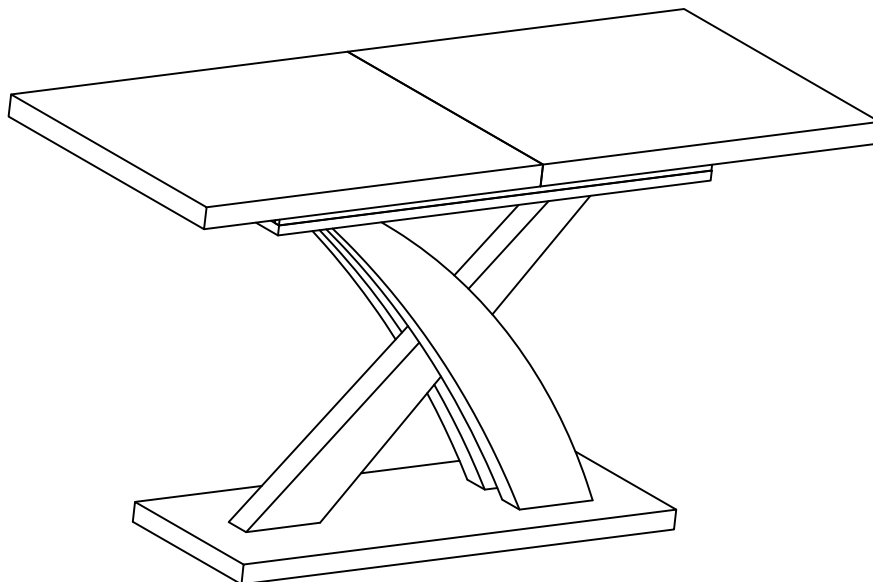
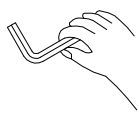
75%



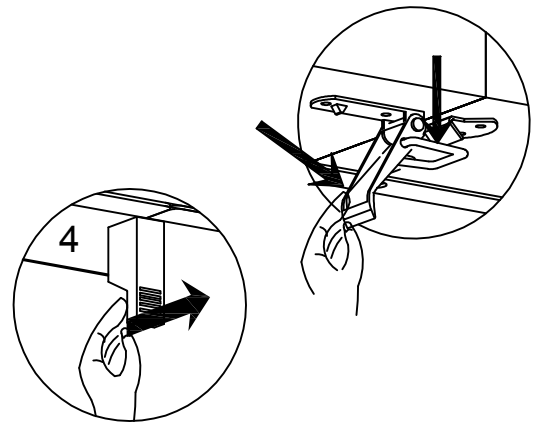
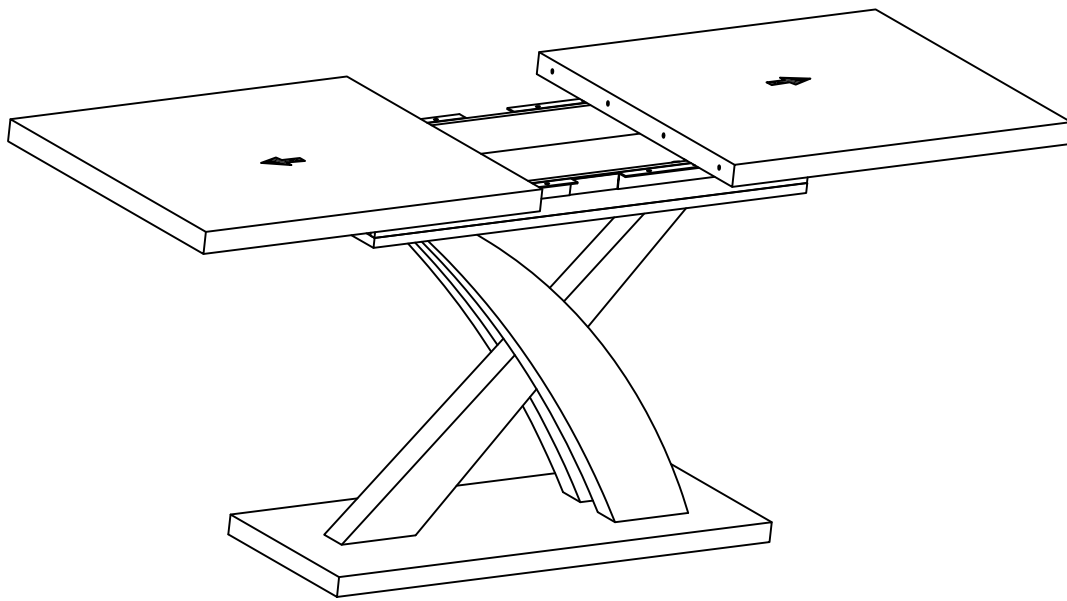
F	x16	H	x1	K	x16
					
M6*20mm		M4		16*1.5mm	

8

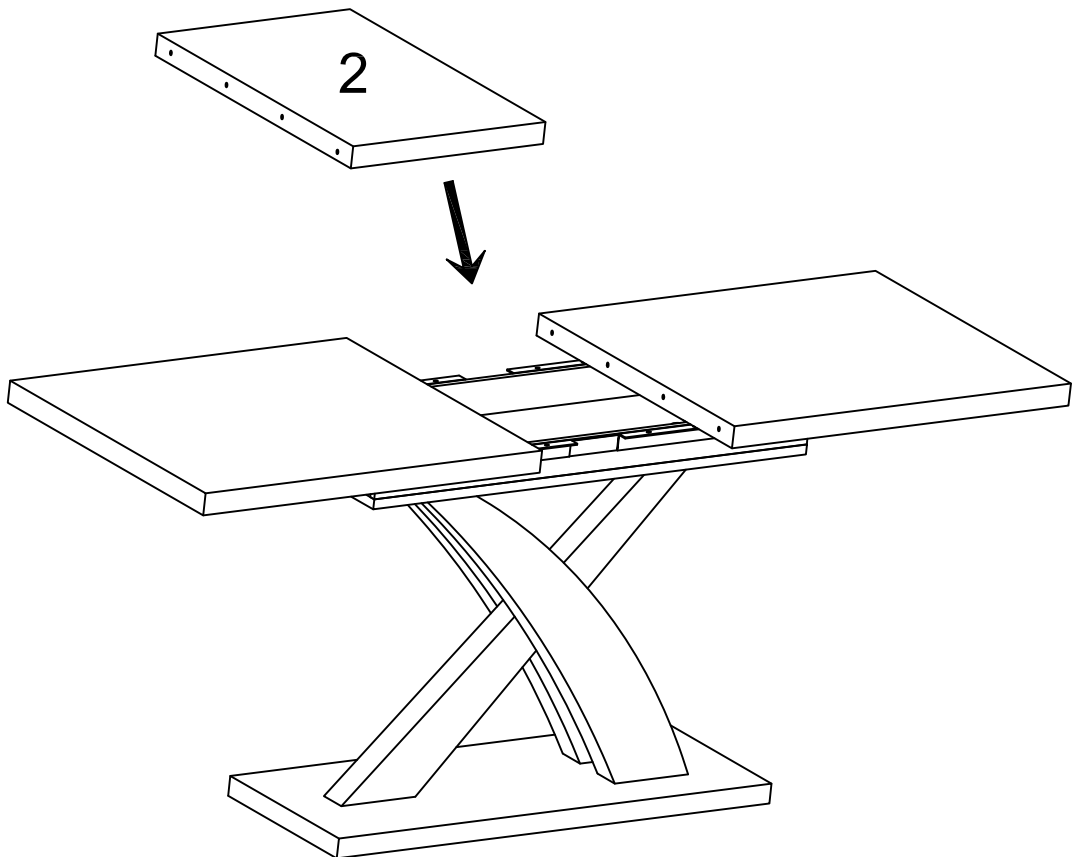
100%



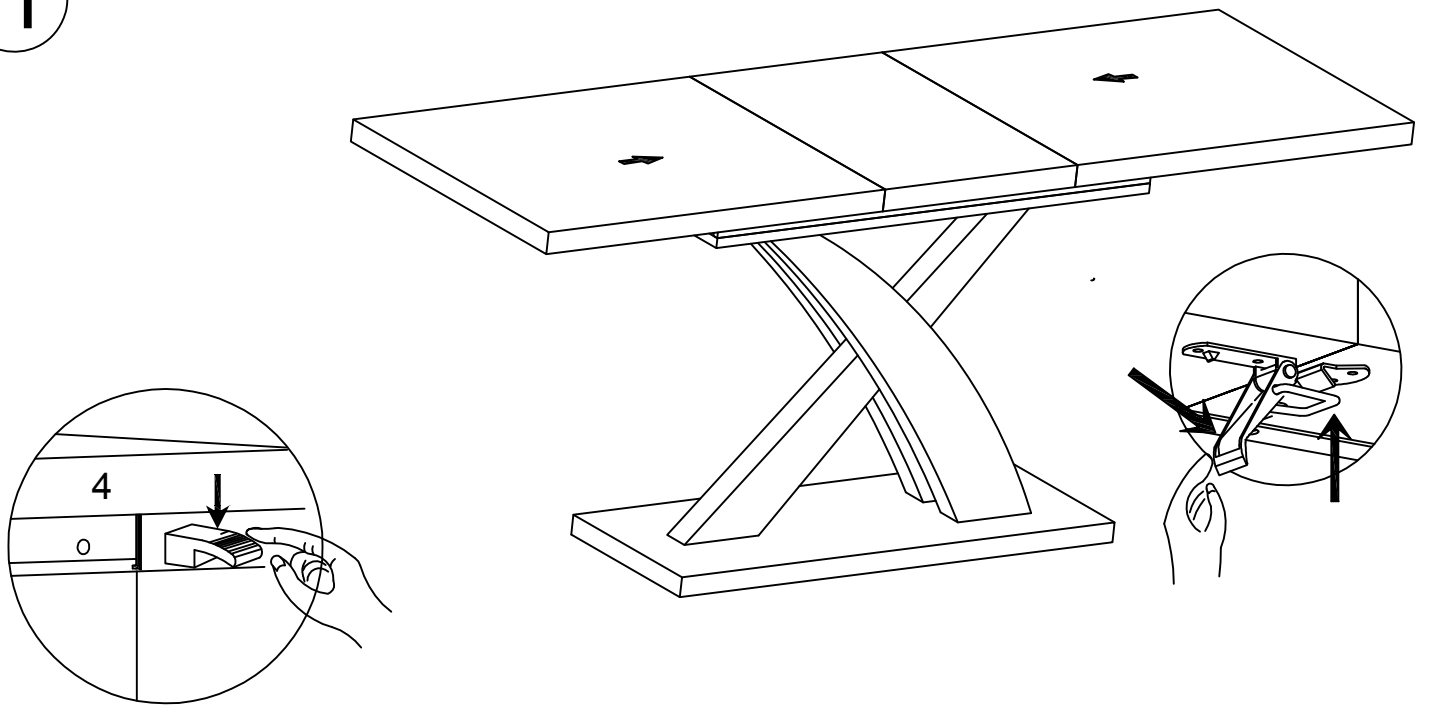
9



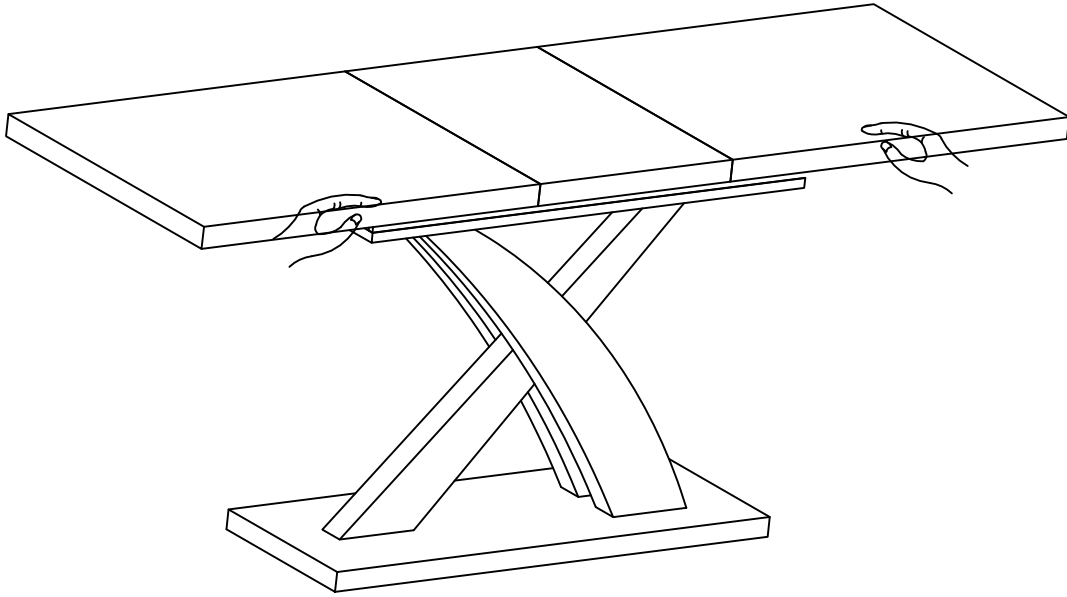
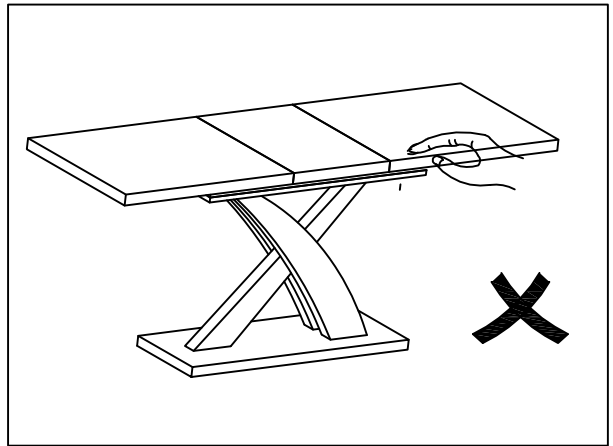
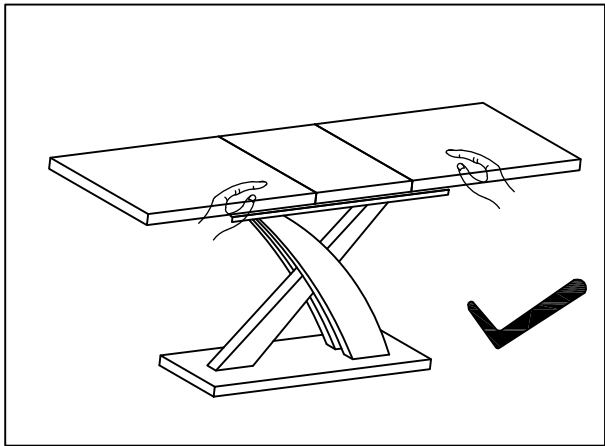
10



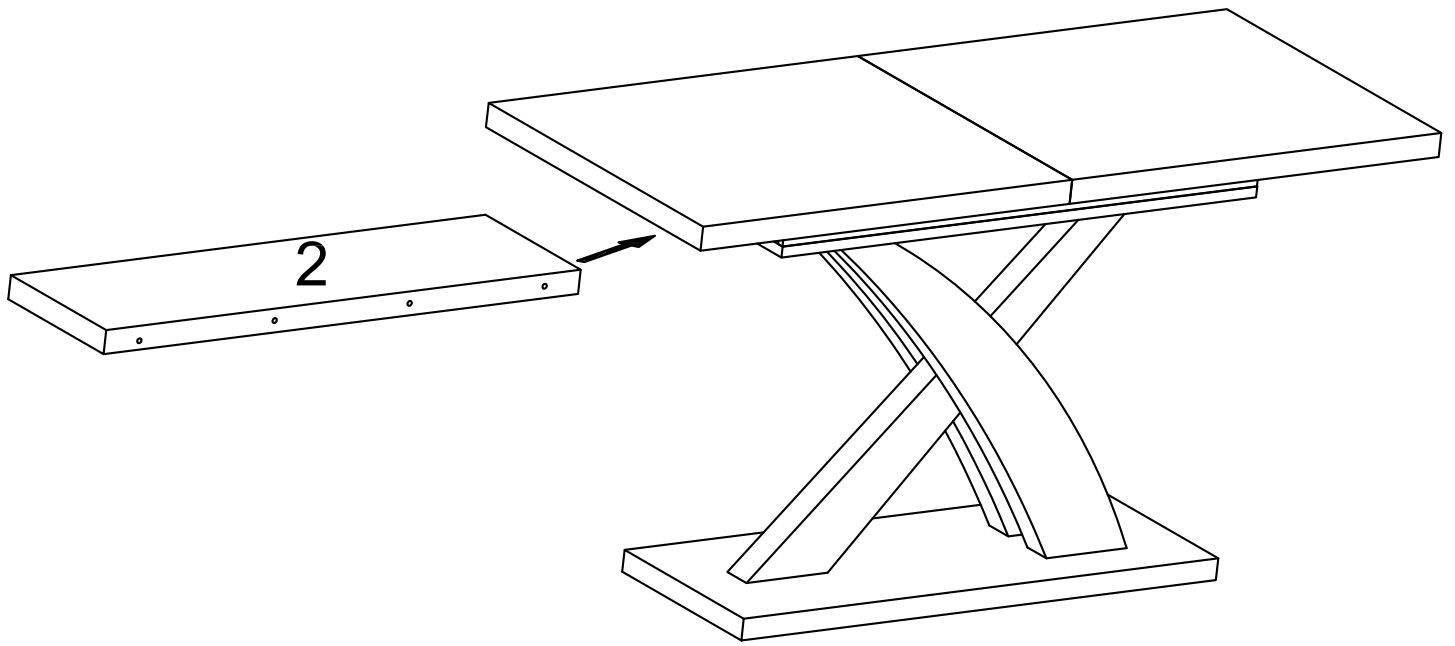
11



12



13



14

