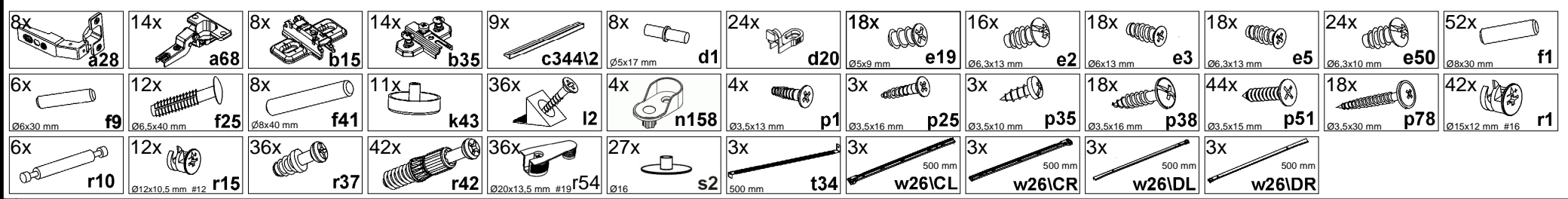
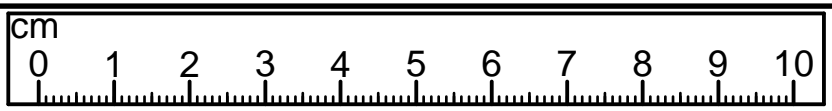
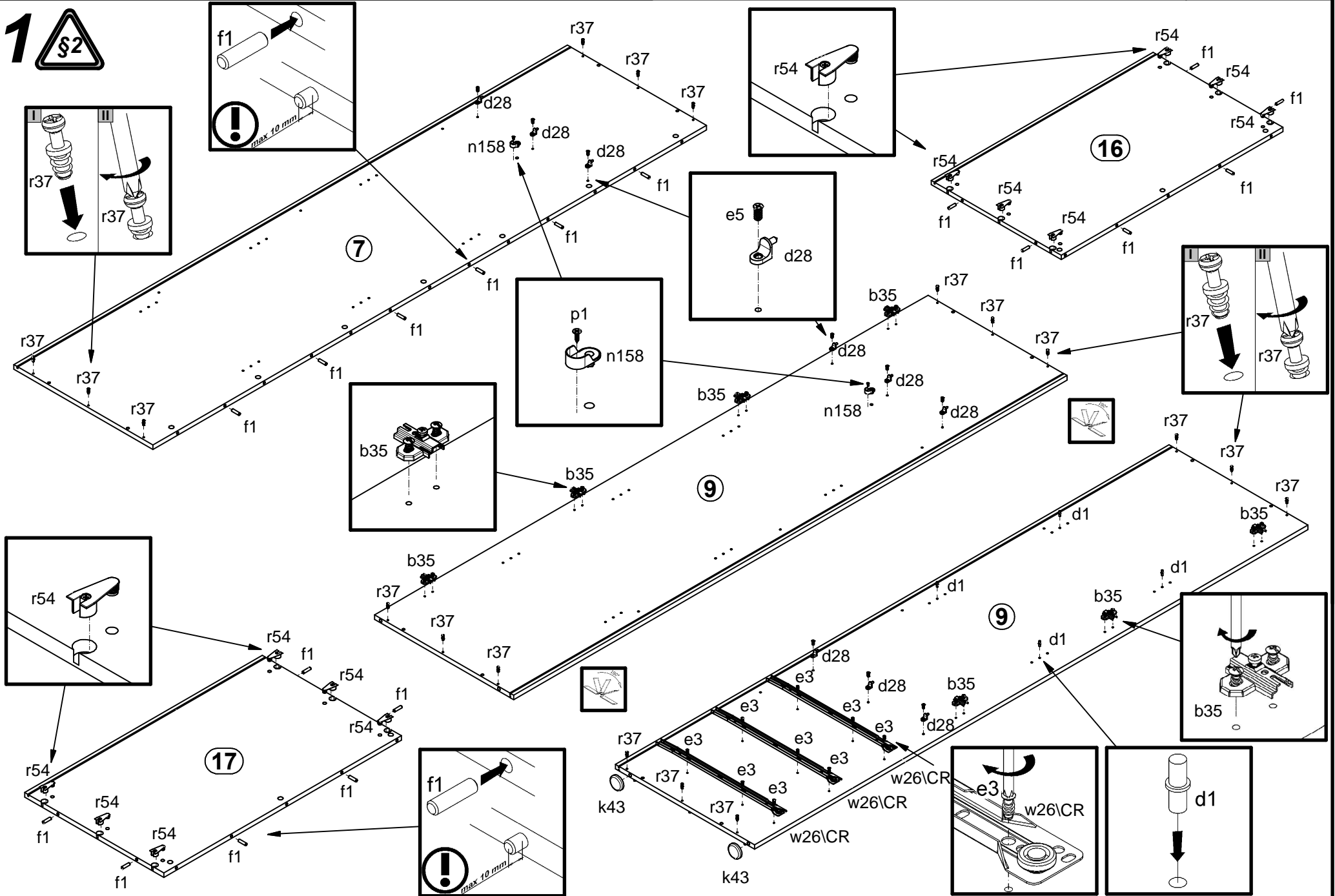
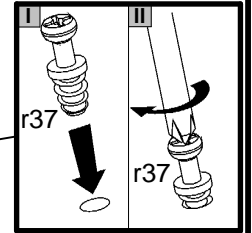
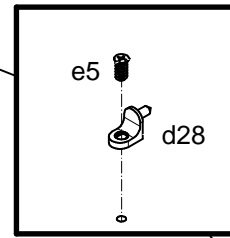
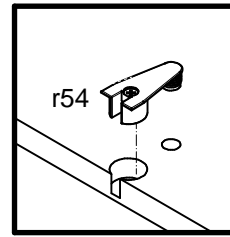
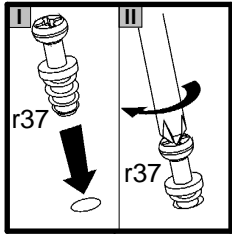
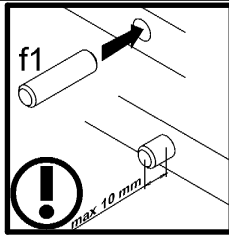


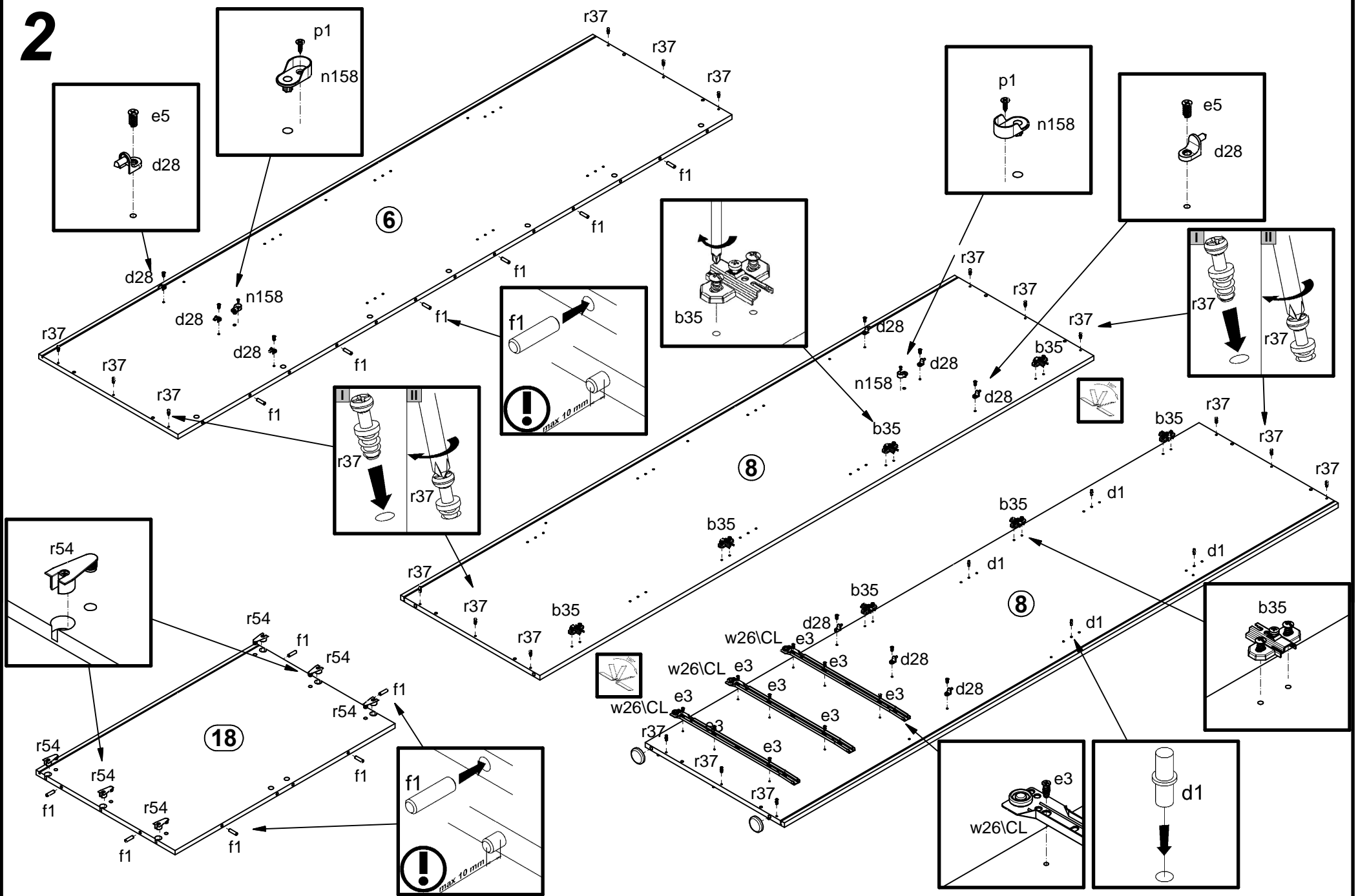
A	B	C (mm)	D	
1	L37-002	2082	450	6/7
2	L37-003	2082	450	6/7
3	L37-004	1410	450	7/7
4	L37-005	1410	450	7/7
5	L37-016	904	220	4/7
6	L37-119	2248	565	1/7
7	L37-120	2248	565	1/7
8	L37-121	2248	565	2/7
9	L37-122	2248	565	2/7
10	L37-310	891	545	3/7
11	L37-311	965	549	3/7
12	L37-312	892	549	3/7
13	L37-313	965	565	1/7
14	L37-314	965	565	4/7
15	L37-315	892	565	2/7
16	L37-316	965	565	1/7
17	L37-317	965	565	4/7
18	L37-318	892	565	2/7
19	L37-571	2250	80	5/7
20	L37-572	1444	80	5/7
21	L37-578	1444	80	5/7
22	L37-903	2226	899	1/7
23	L37-904	2226	973	2/7
24	L37-905	865	505	4/7
25	ZS3-5601	843	140	4/7
26	ZS4-533	500	140	4/7
27	ZS4-534	500	140	4/7
28	dr-960	960	30	4/7



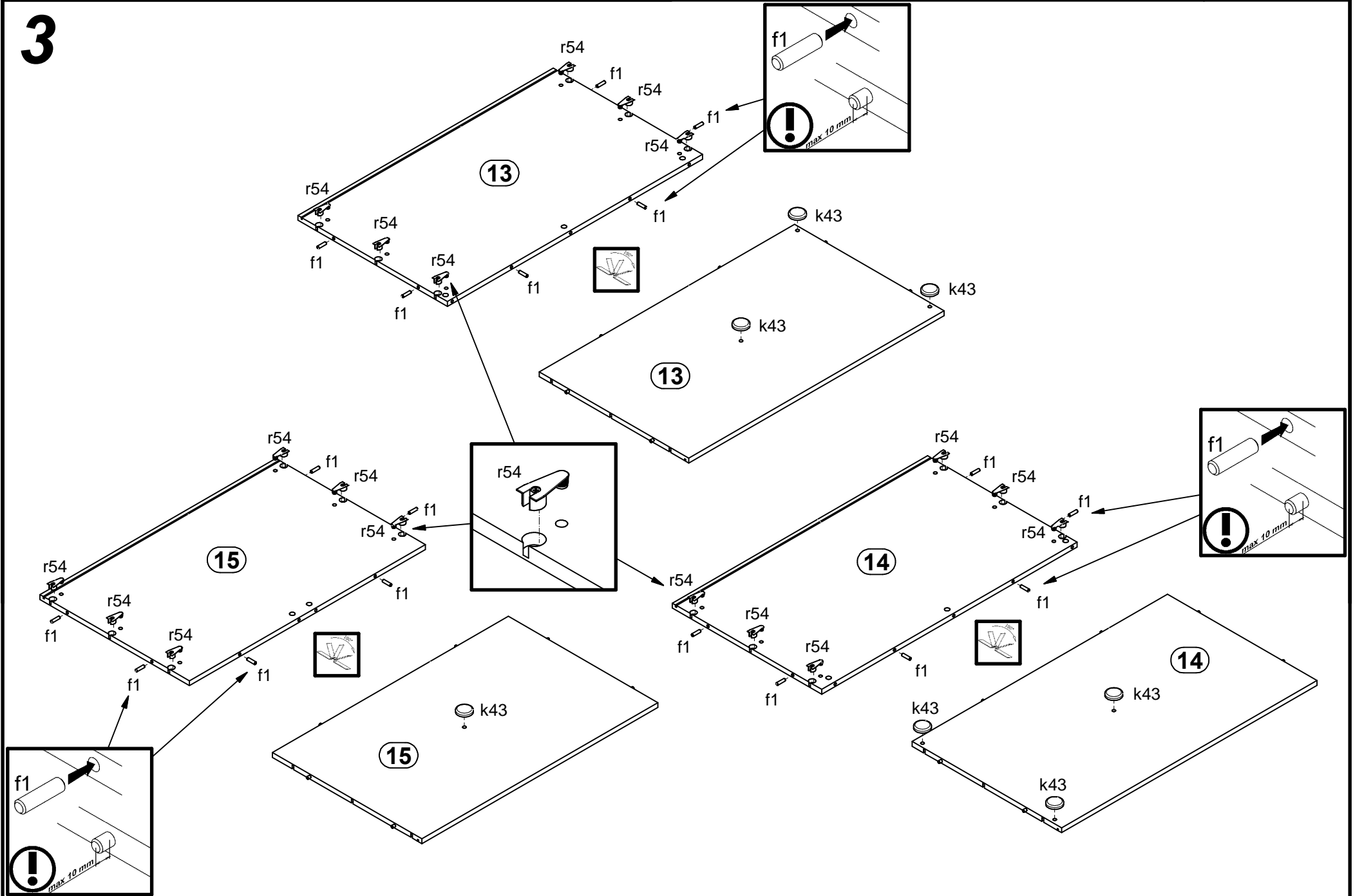
1



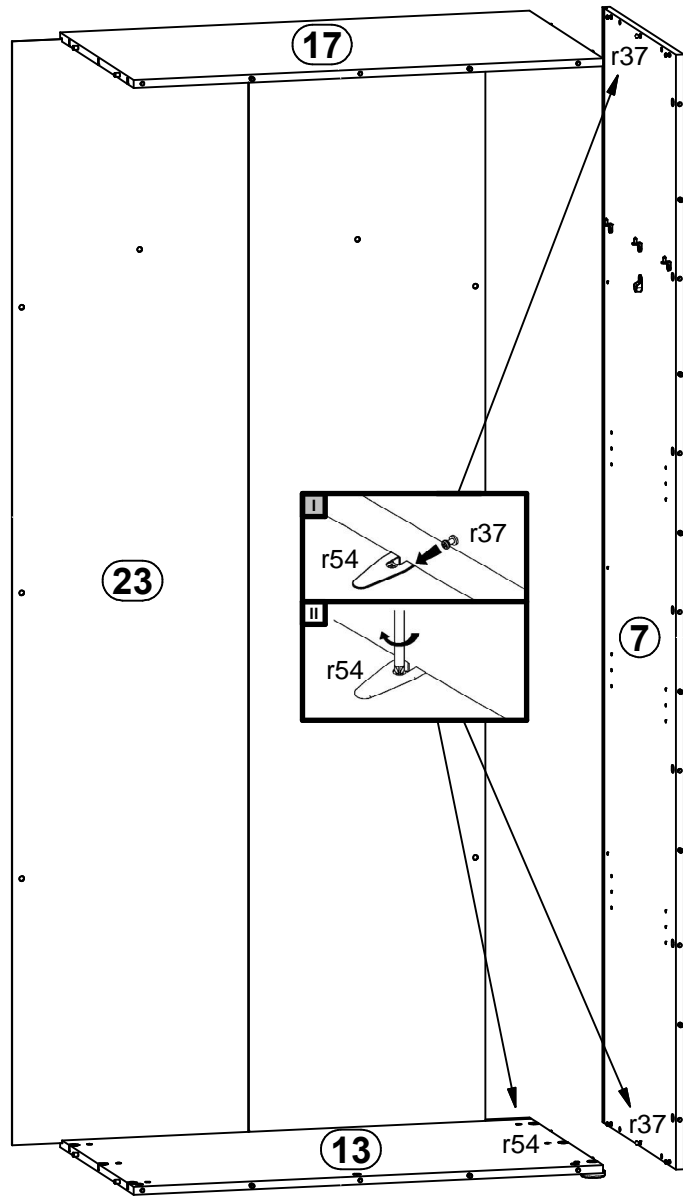
2



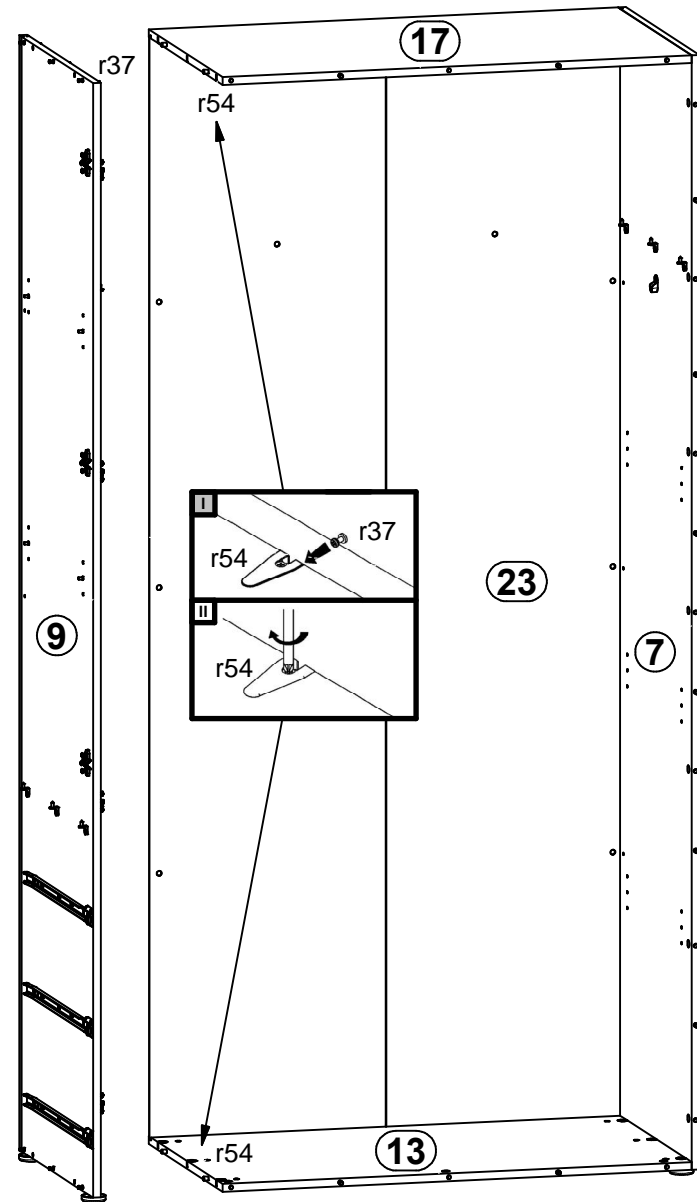
3



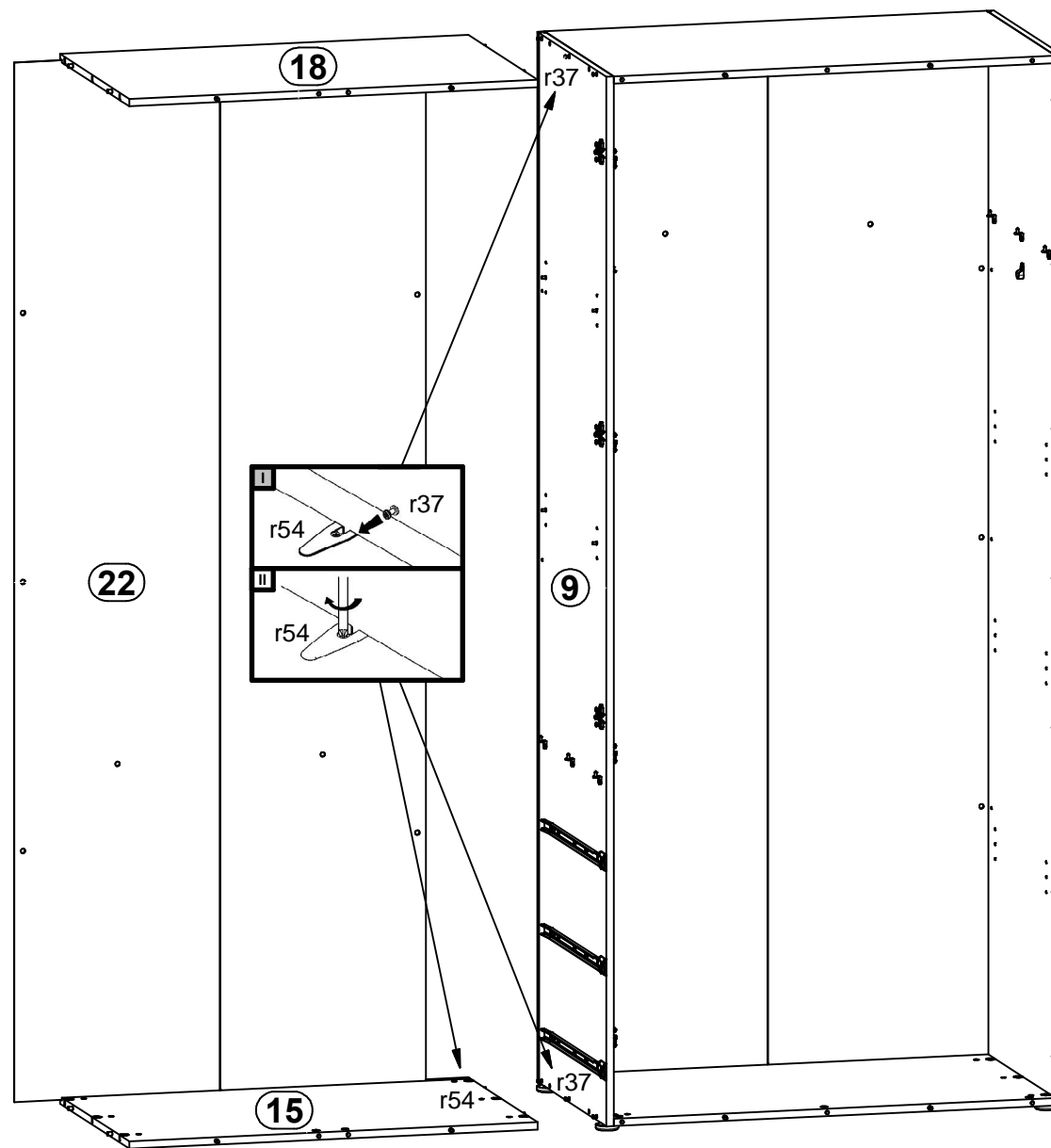
4 §6



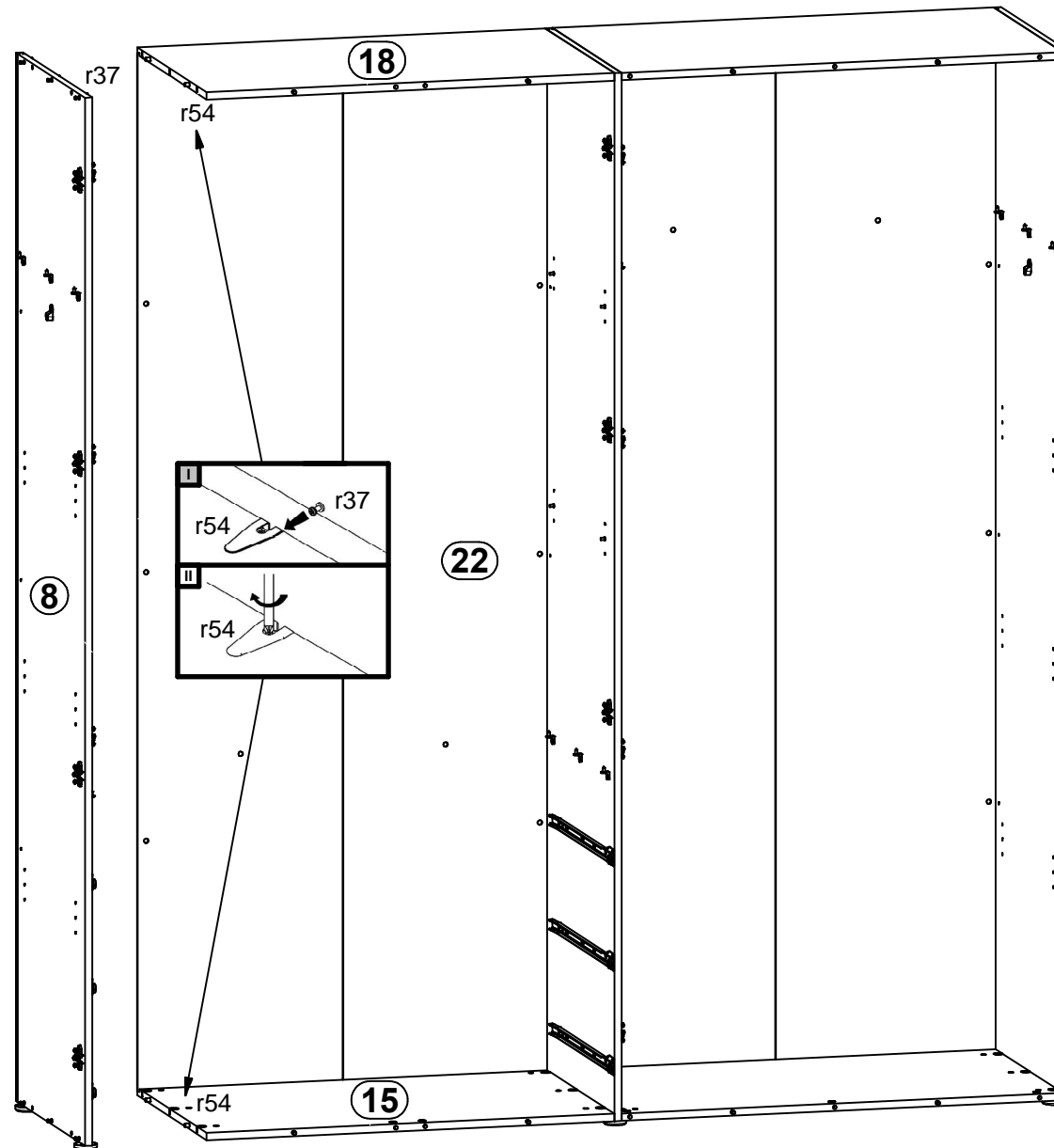
5



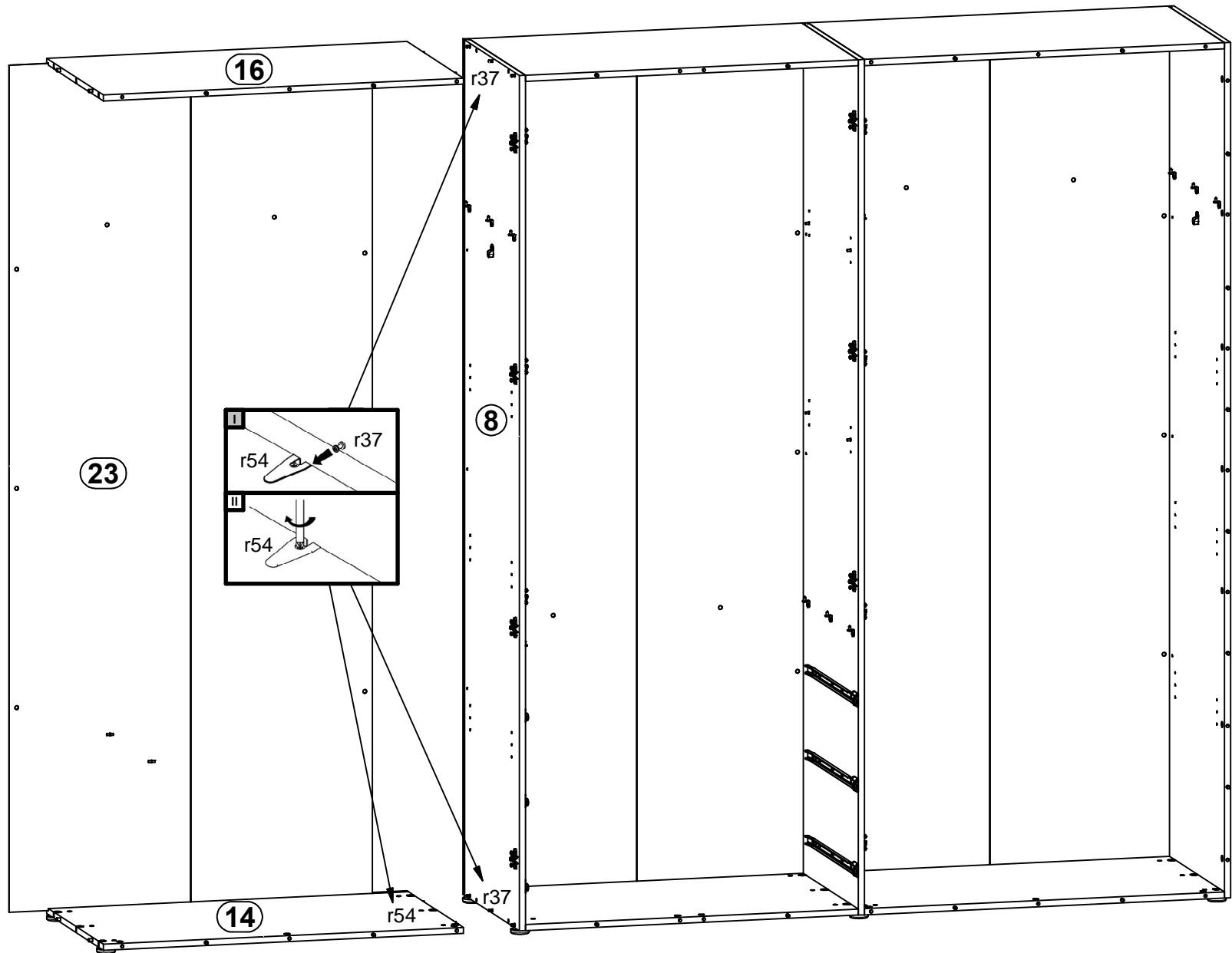
6



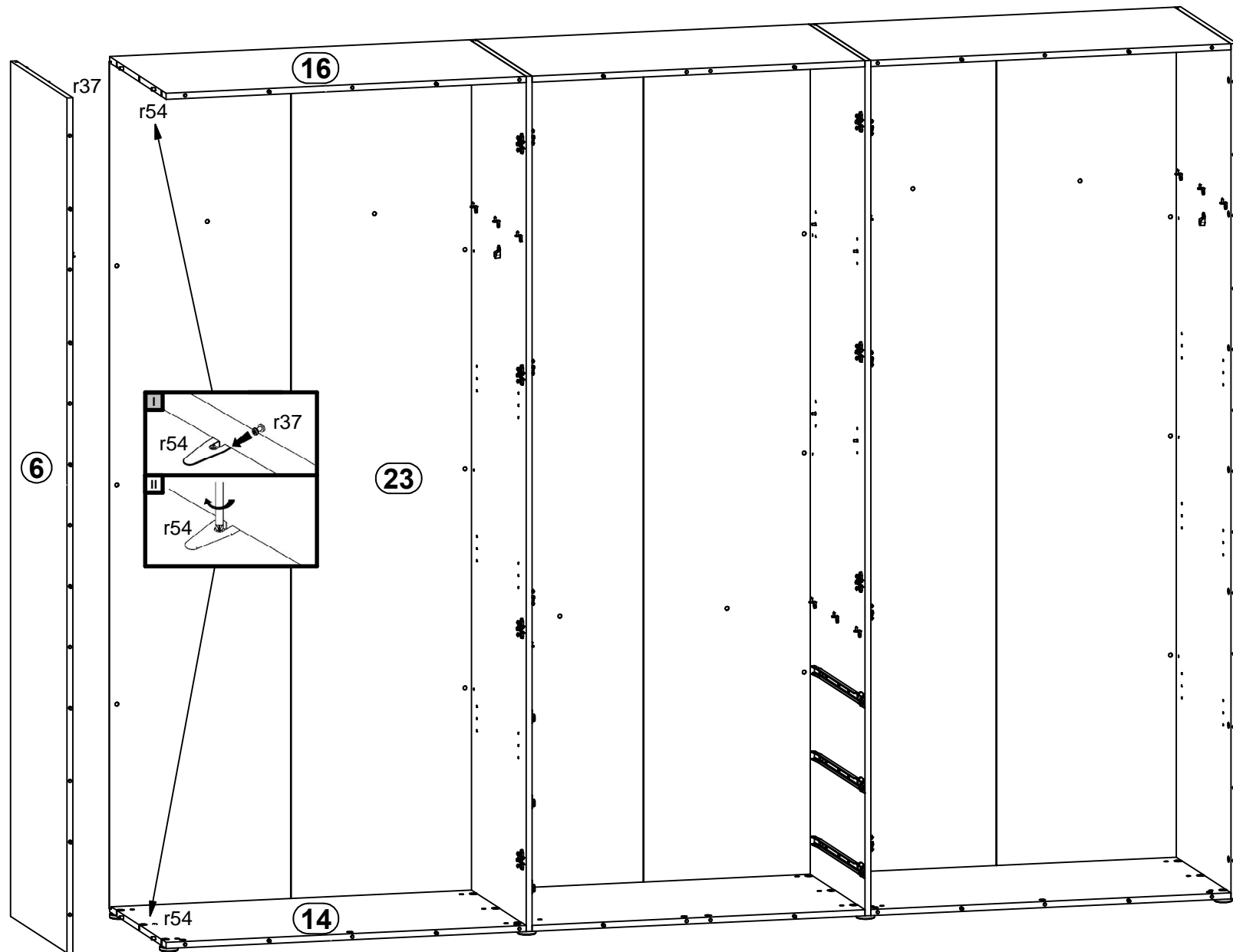
7



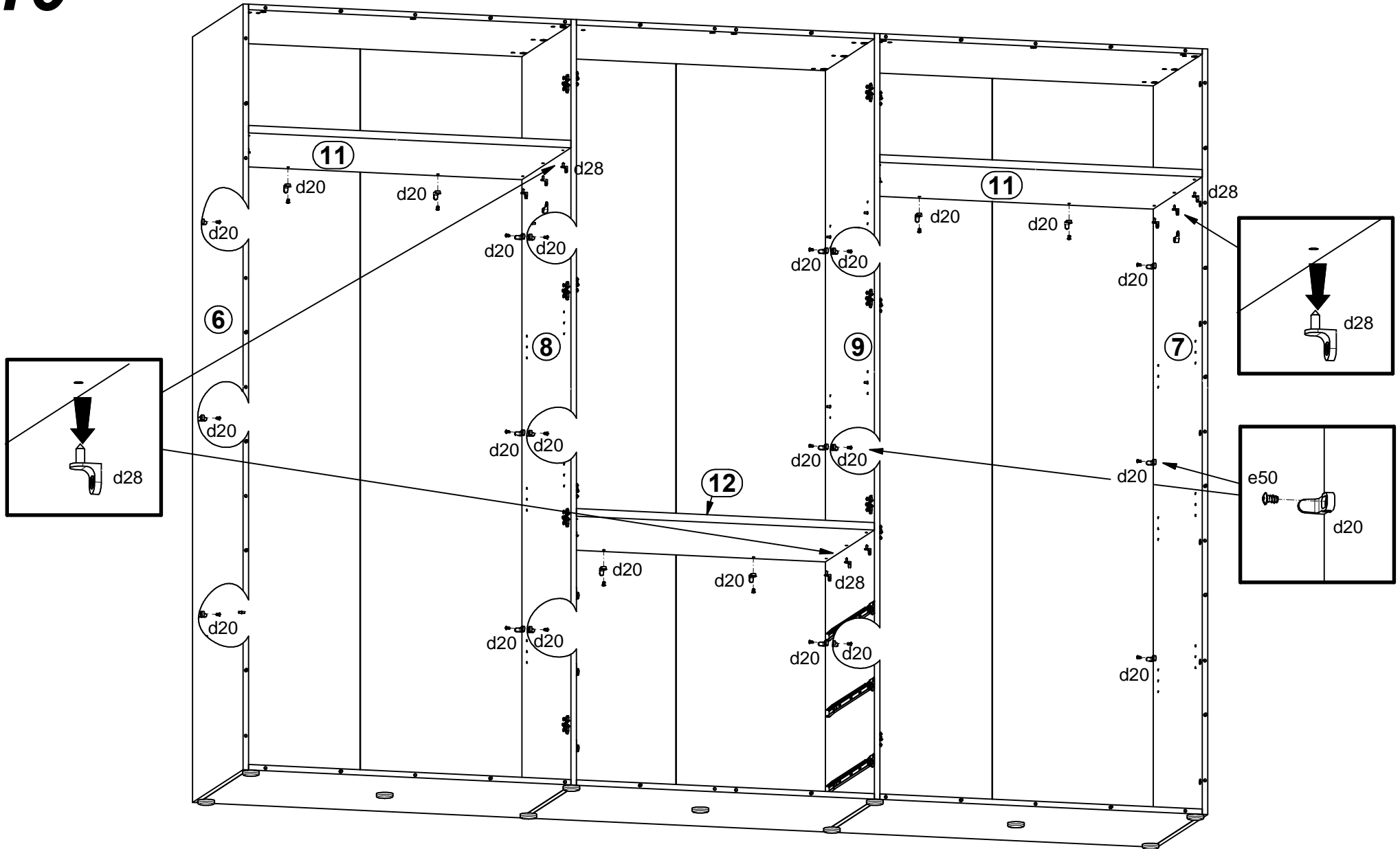
8



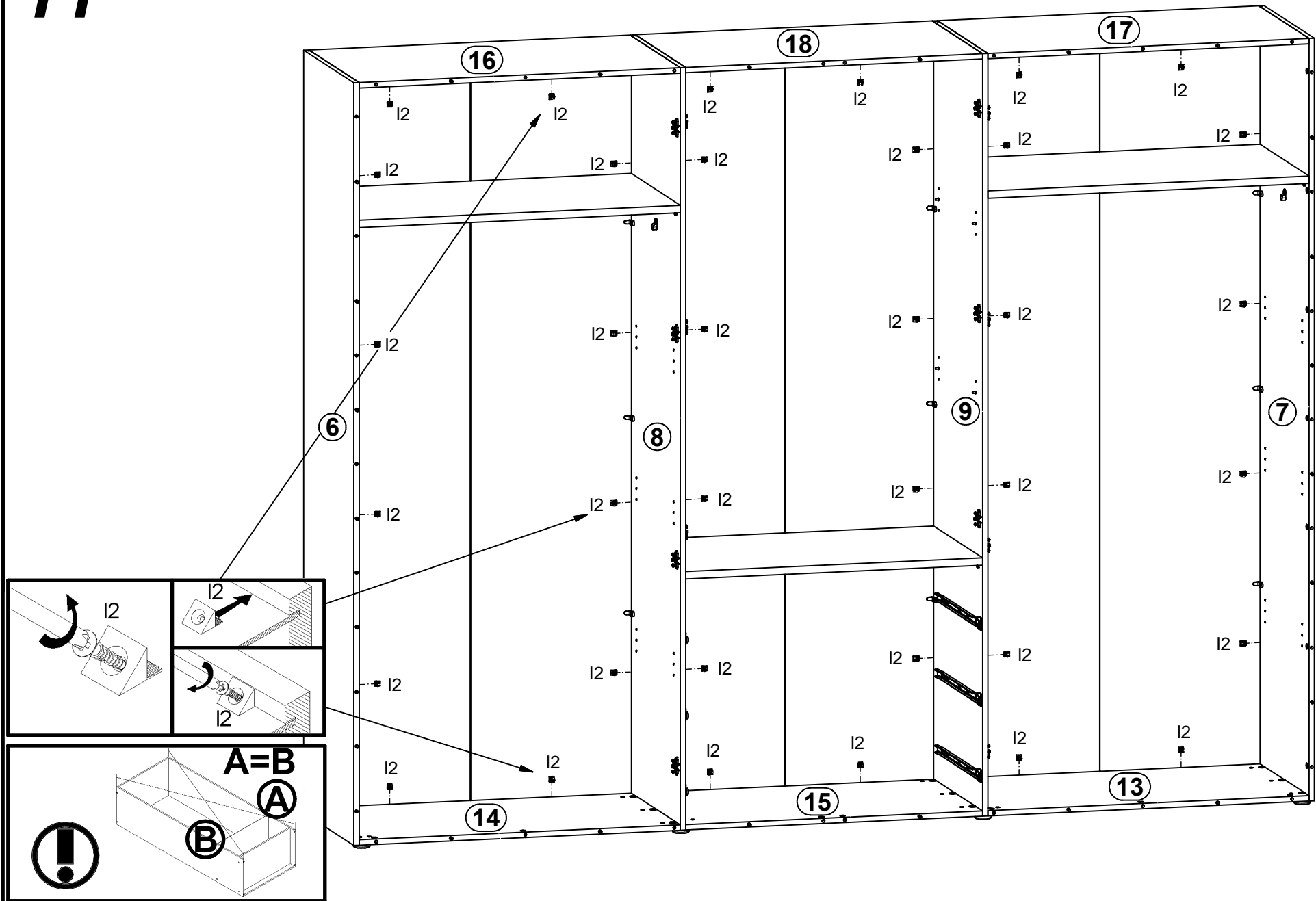
9



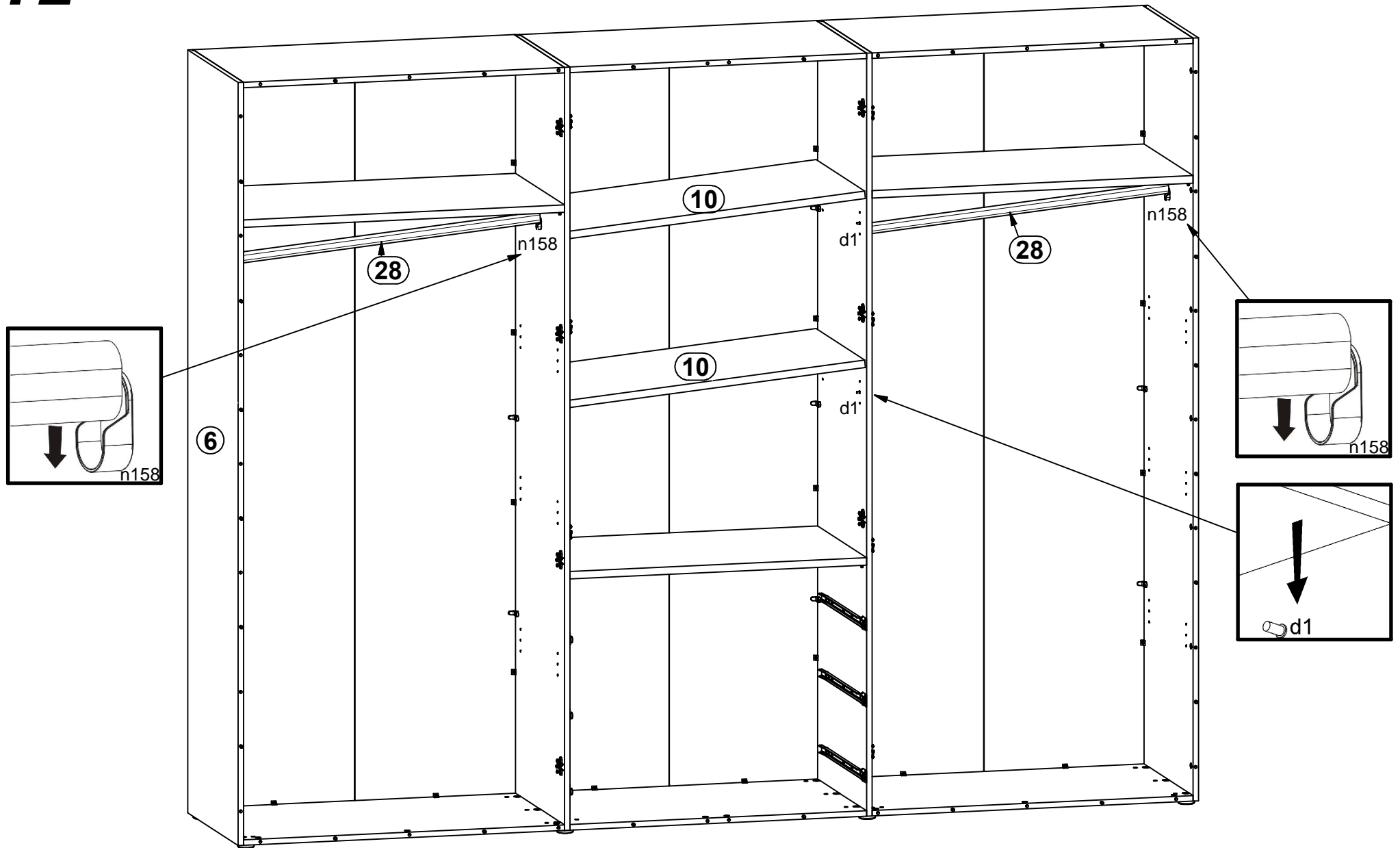
10



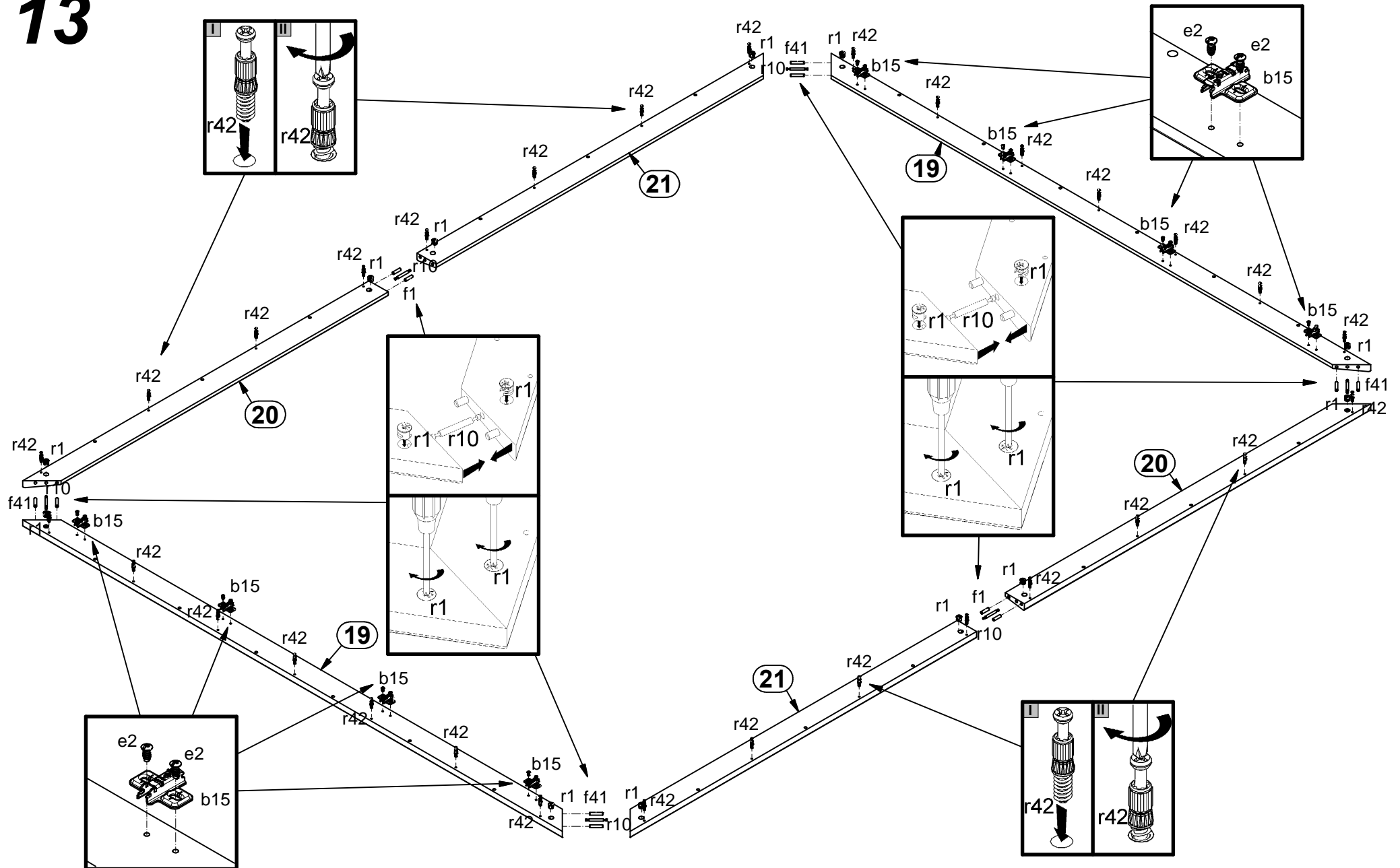
11



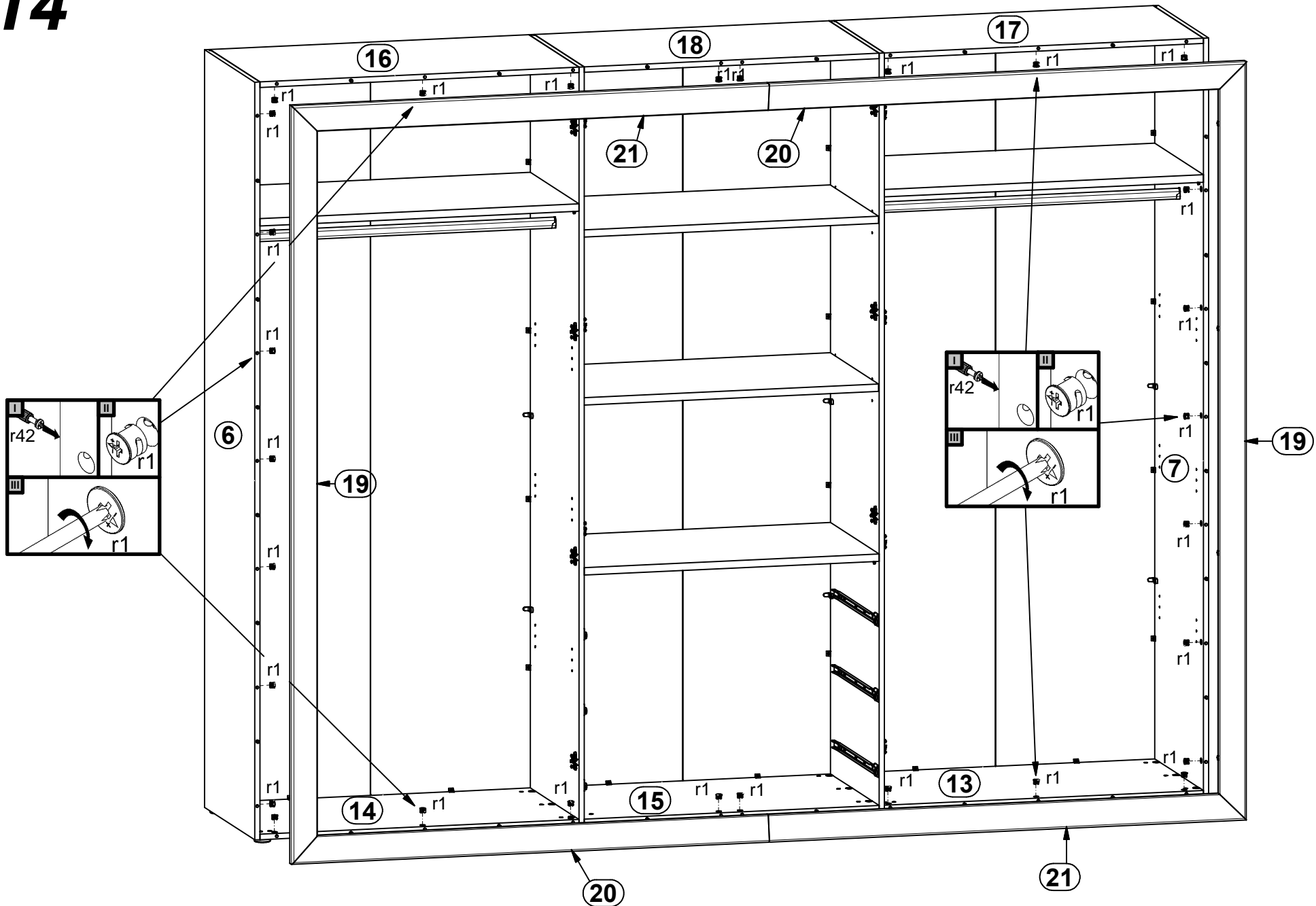
12



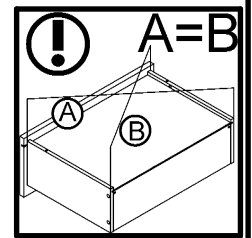
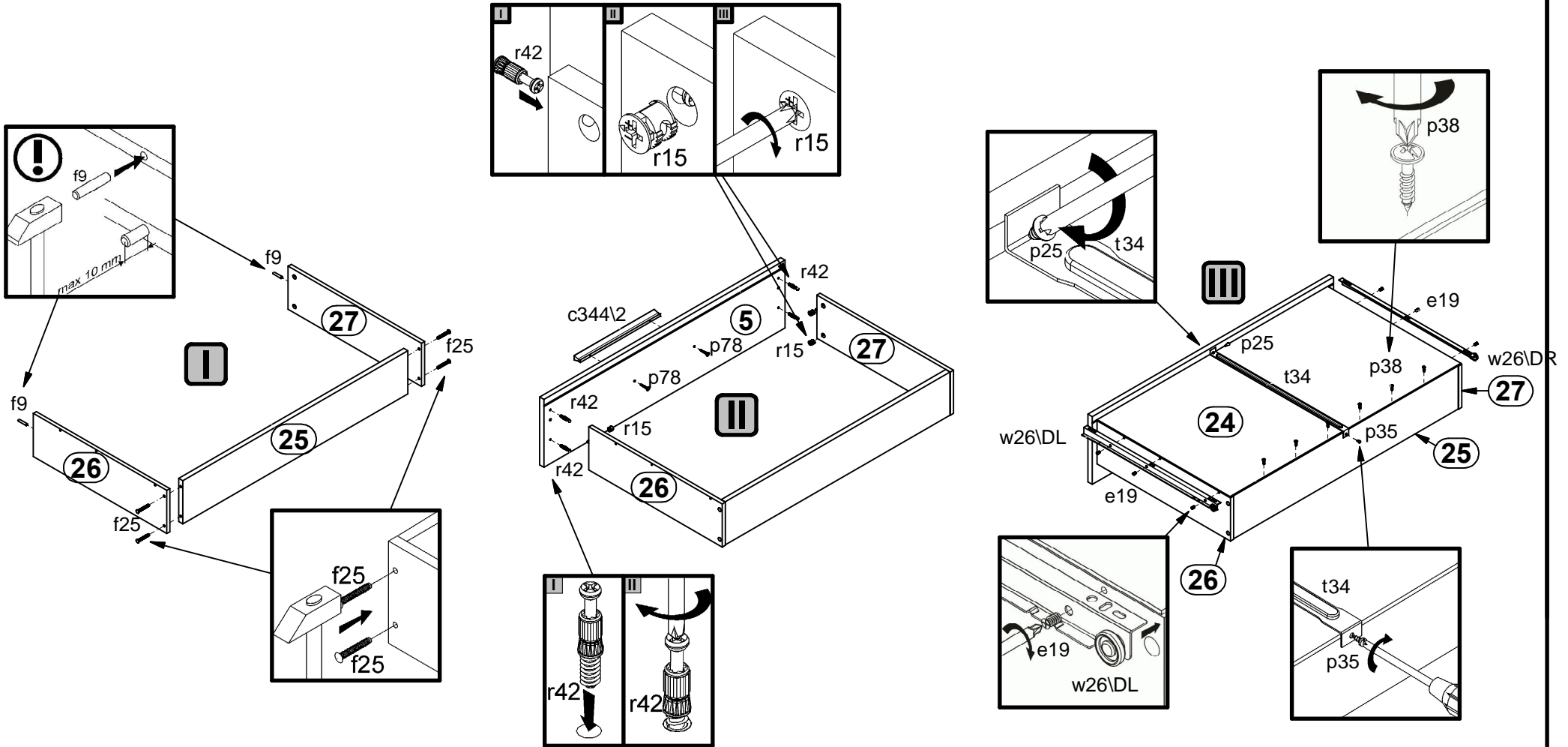
13



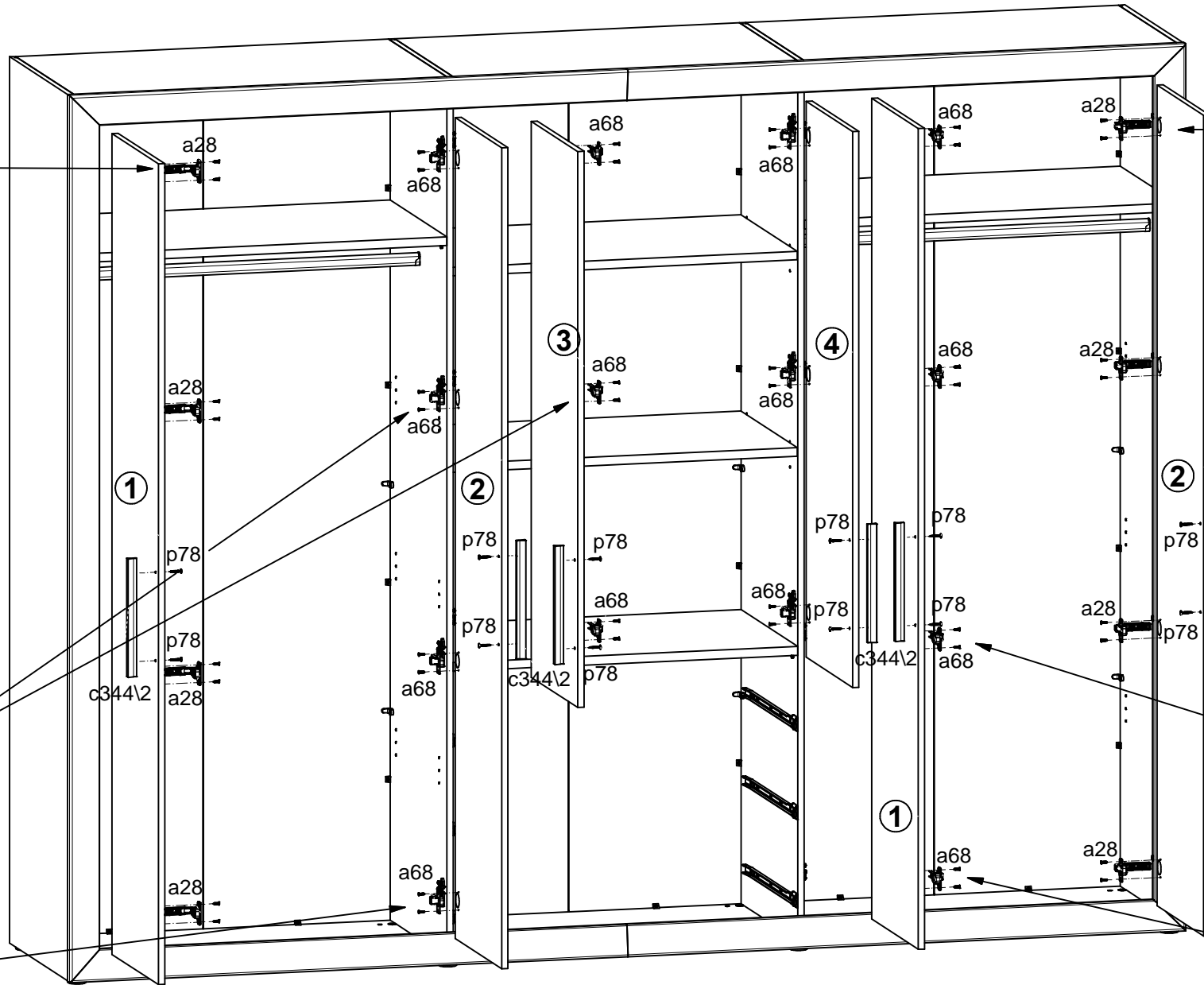
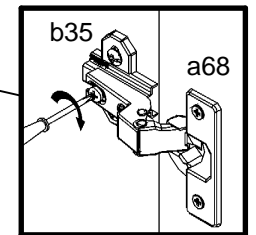
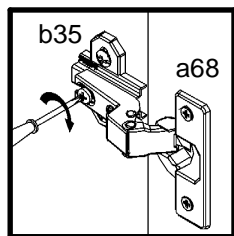
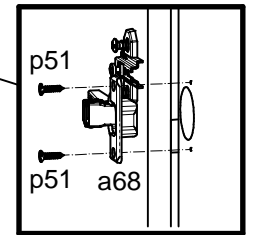
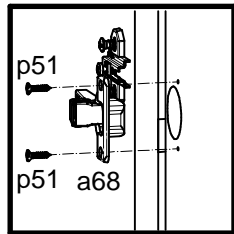
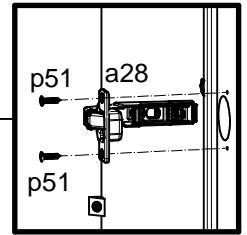
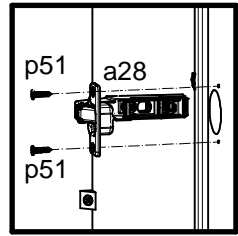
14



15



16



17

