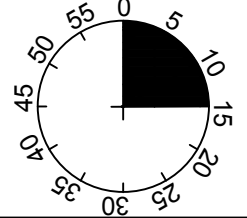
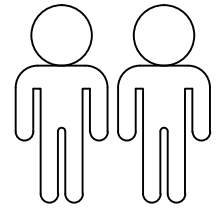
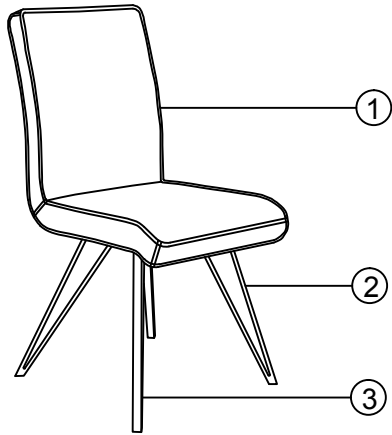


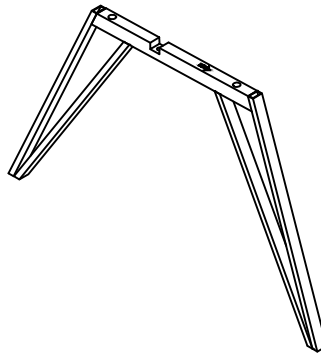
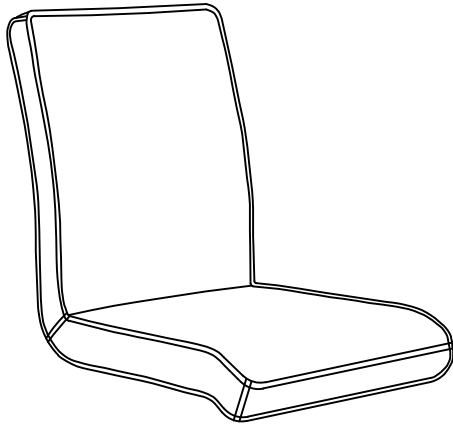
Fiona



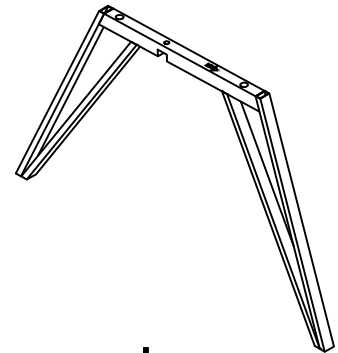
1

2

3

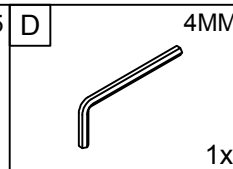
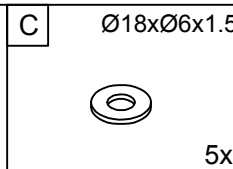
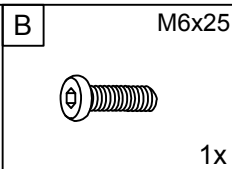
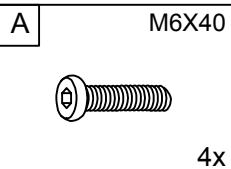


R



L

1	1 x
2	1 x
3	1 x



I.

1

L

3

D

A

C

A M6x40 2x

C Ø18xØ6x1.5 2x

D 4MM 1x

75%

2

R

2

D

A

C

A M6x40 2x

C Ø18xØ6x1.5 2x

D 4MM 1x

75%

3

D

B

C

B M6x25 1x

C Ø18xØ6x1.5 1x

D 4MM 1x

75%

4

D 4MM 1x

100%

