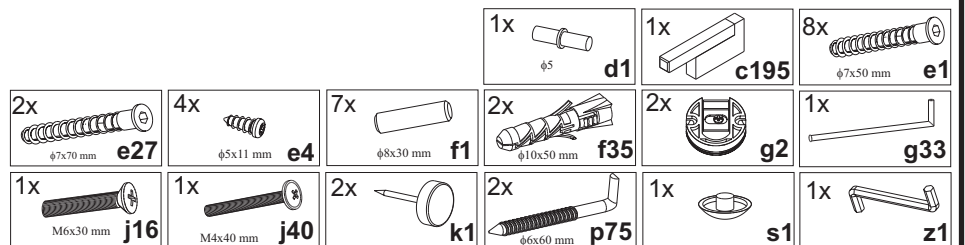
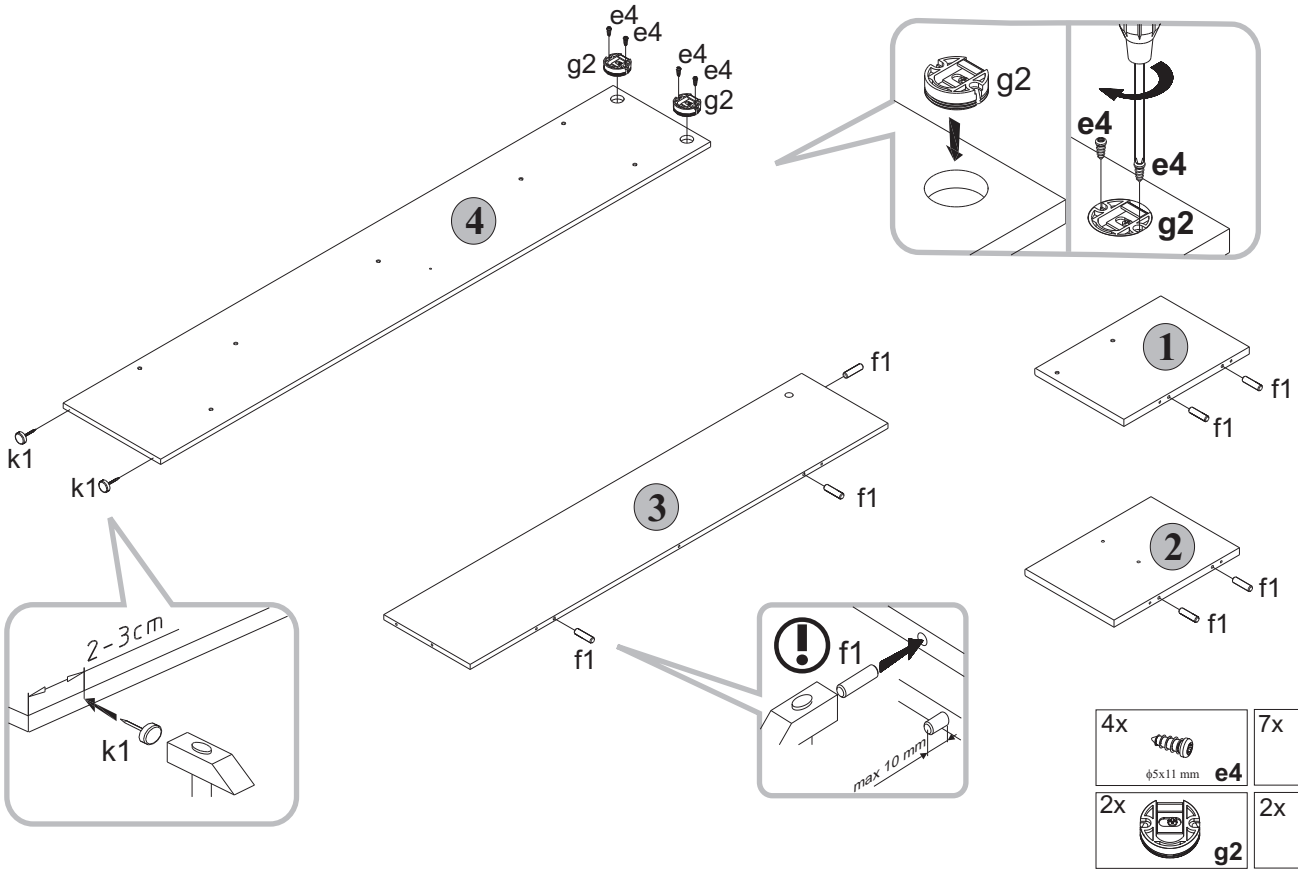


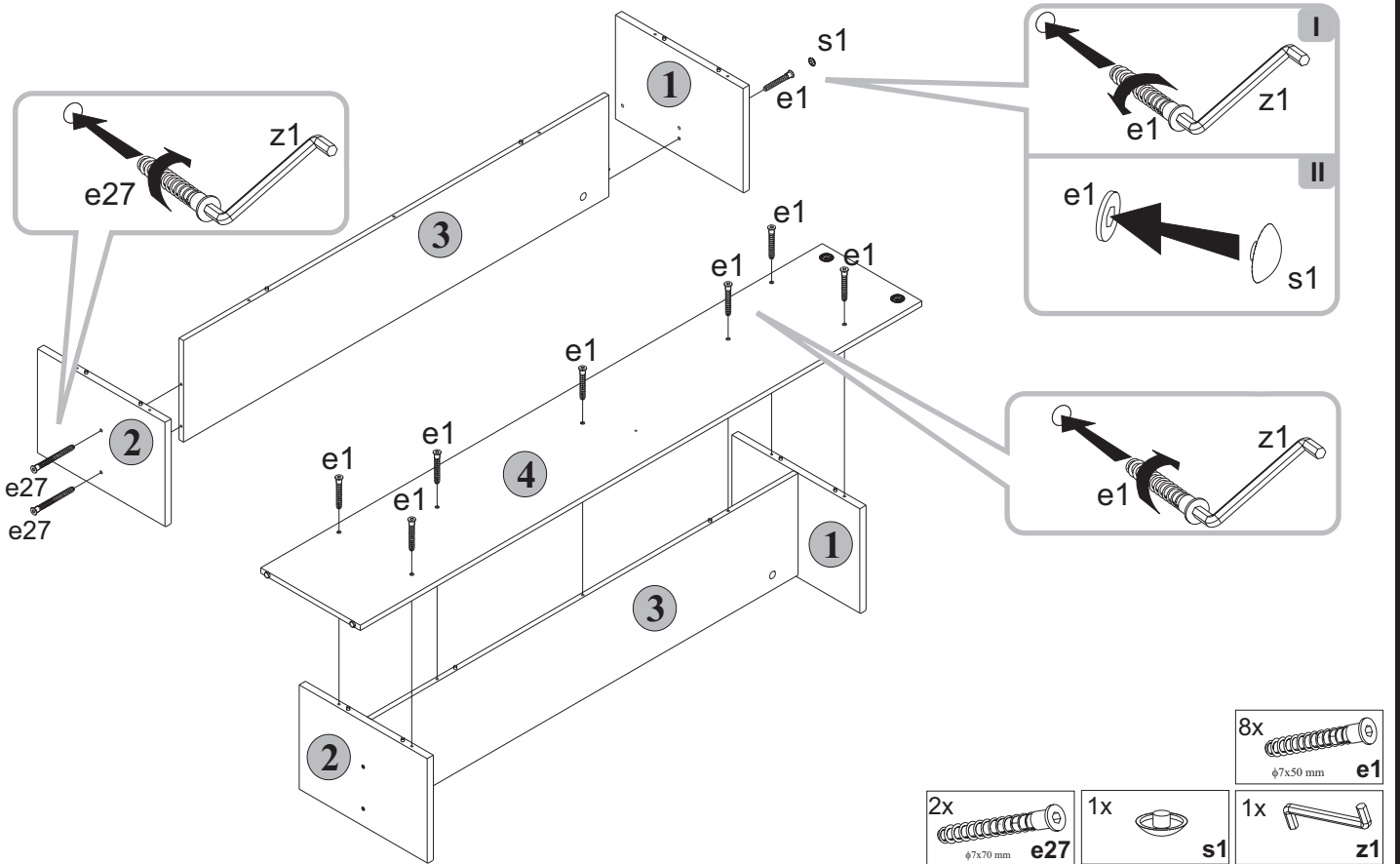
A	B	C	D
1	S19-3330	450x270	4/5
2	S19-3331	450x270	4/5
3	S19-1216	1500x260	4/5
4	S19-569/A	1975x350	4/5



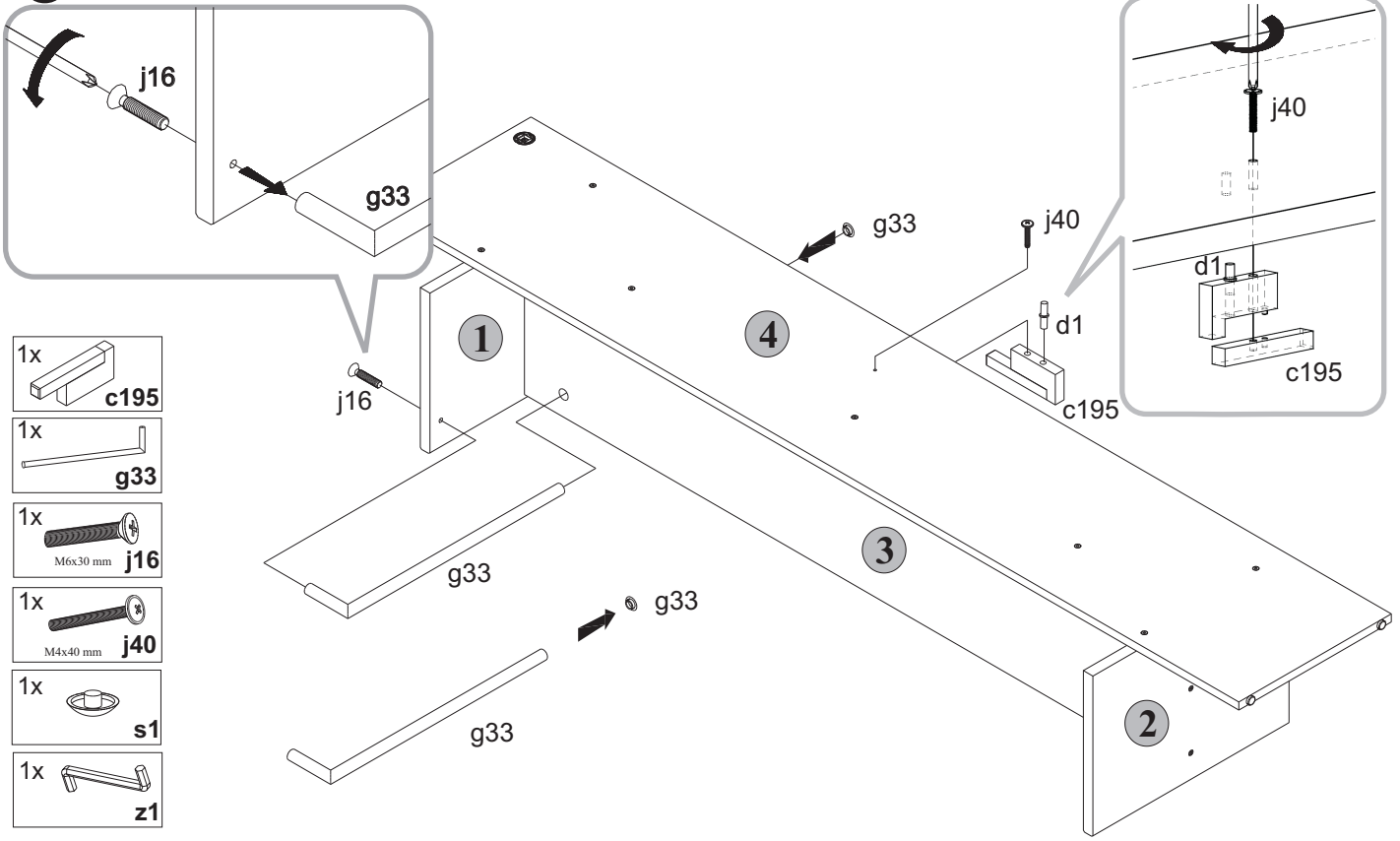
# 1



# 2

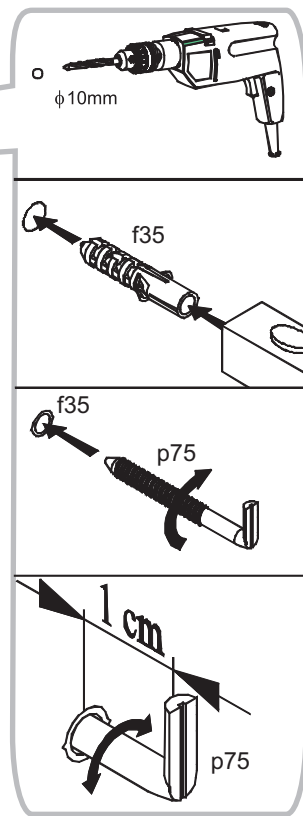
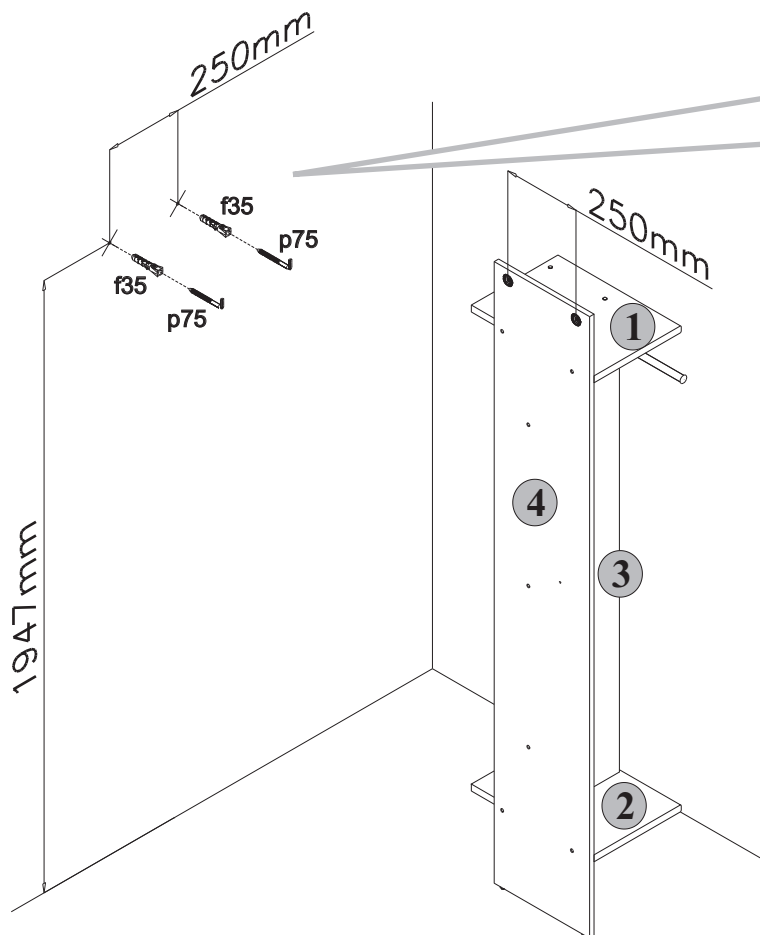


# 3



- 1x **c195**
- 1x **g33**
- 1x **M6x30 mm j16**
- 1x **M4x40 mm j40**
- 1x **s1**
- 1x **z1**

# 4



- 2x **phi10x50 mm f35**
- 2x **phi6x60 mm p75**

# 5

