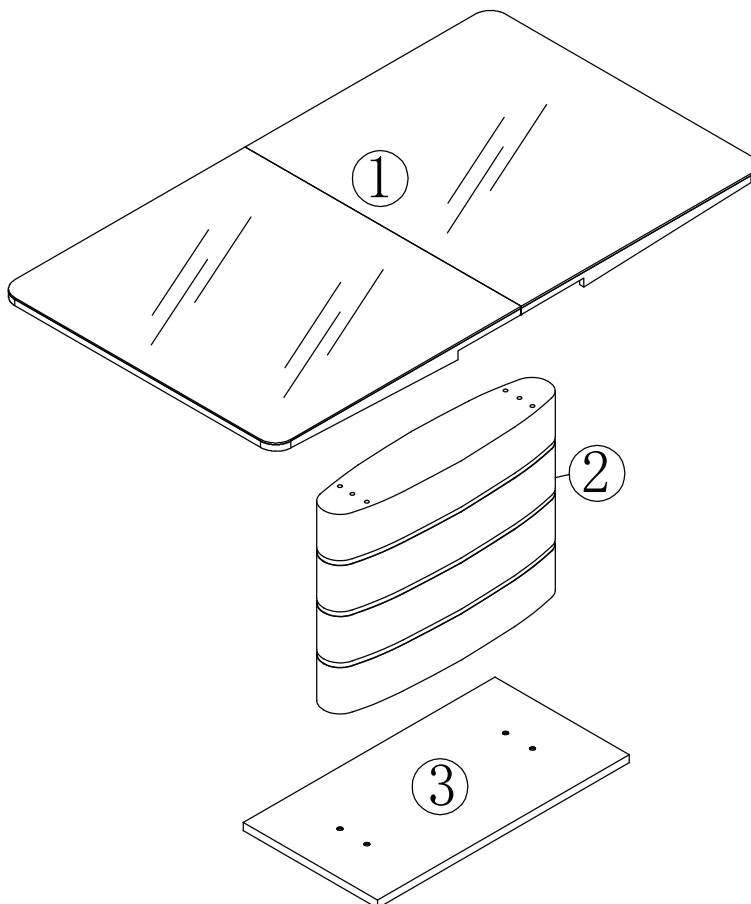
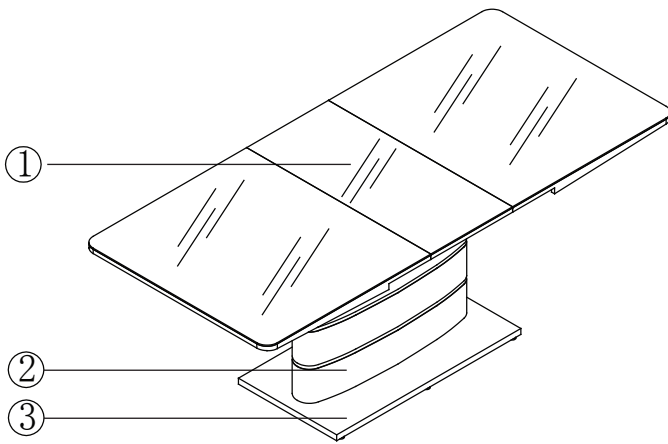
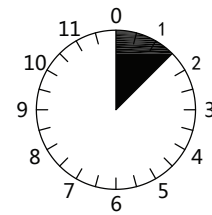
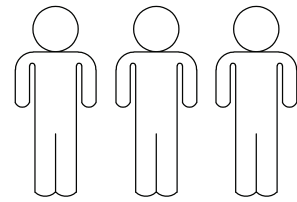


Sandra



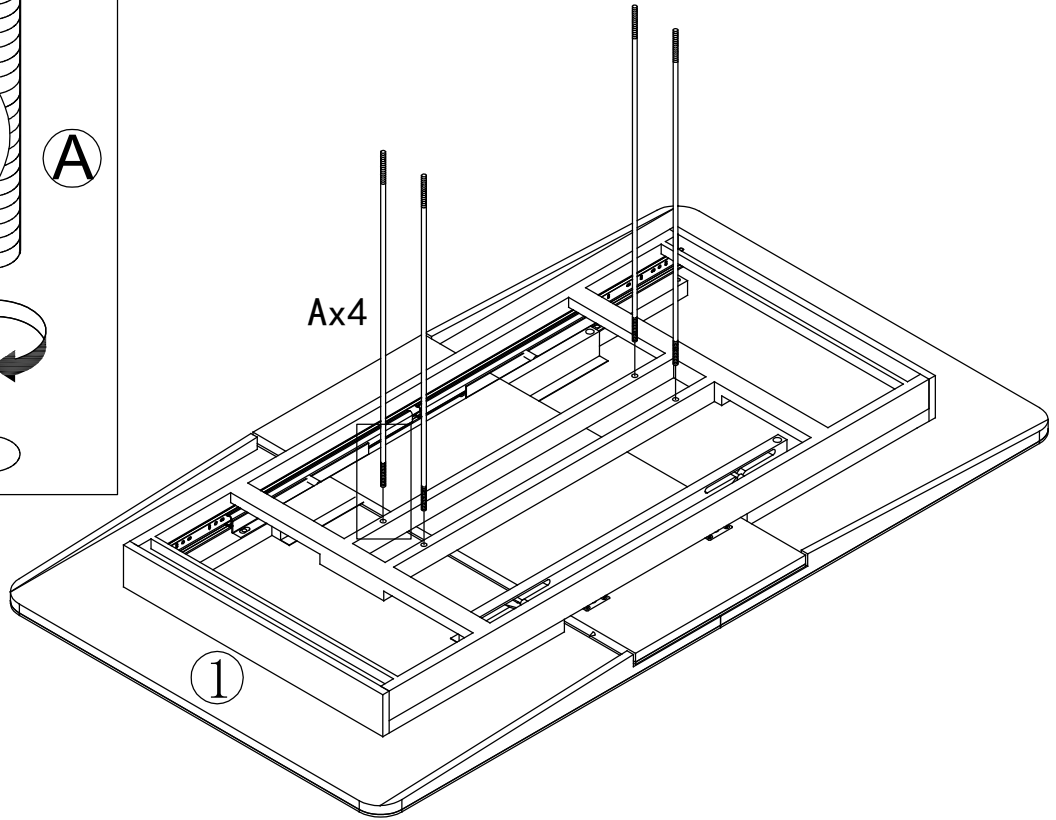
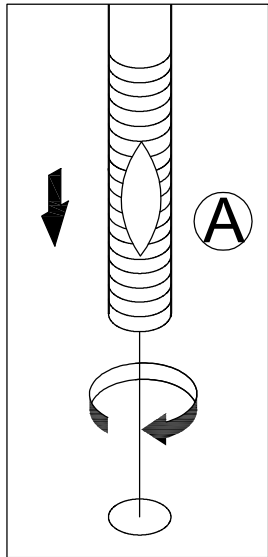
1	1x	1/3
2	1x	2/3
3	2x	3/3

A	M8X680	B	M8	C	ø 20x ø 8.5x2	D	M6xø25x10	E	M8
	4x		4x		4x		6x		1x

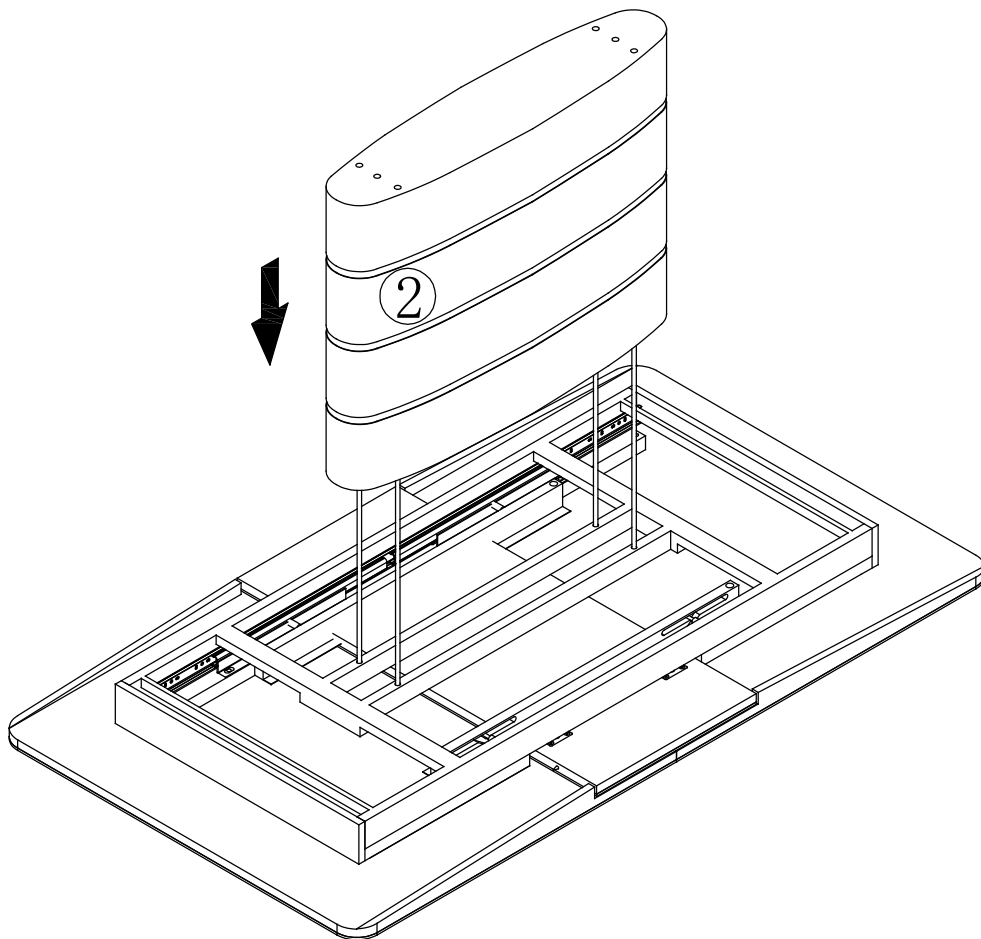
I.

1

A M8X680 4x

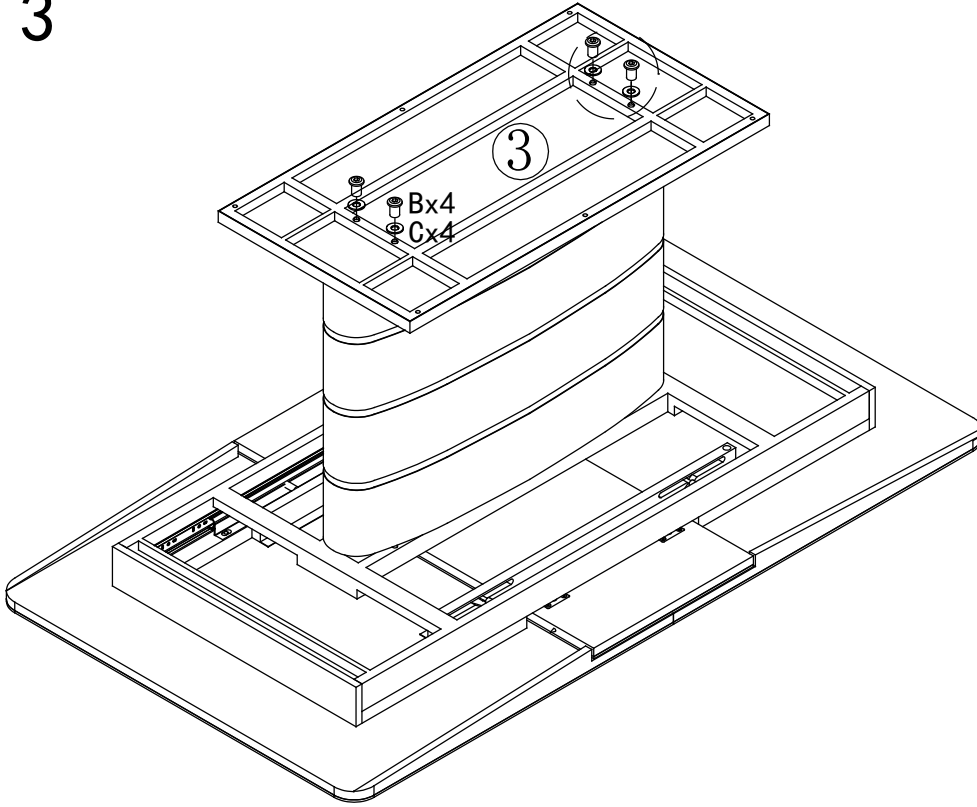



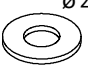
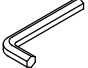
2

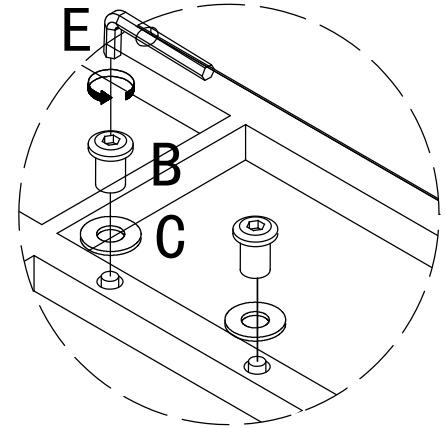


II.

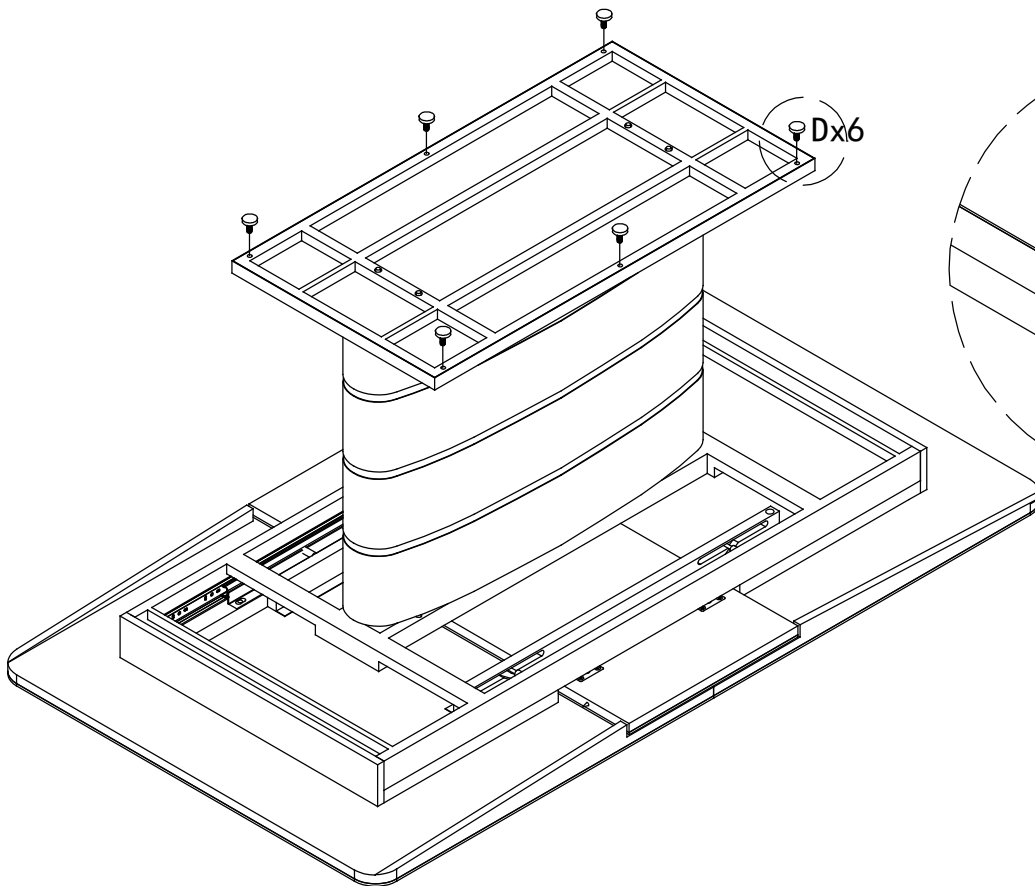
3




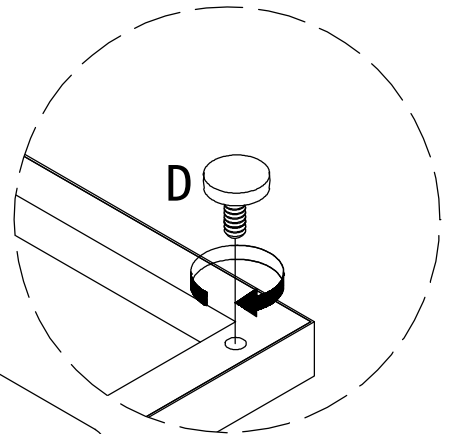
B		M8 4x
C		∅20x∅8.5x2 4x
E		M8 1x



4

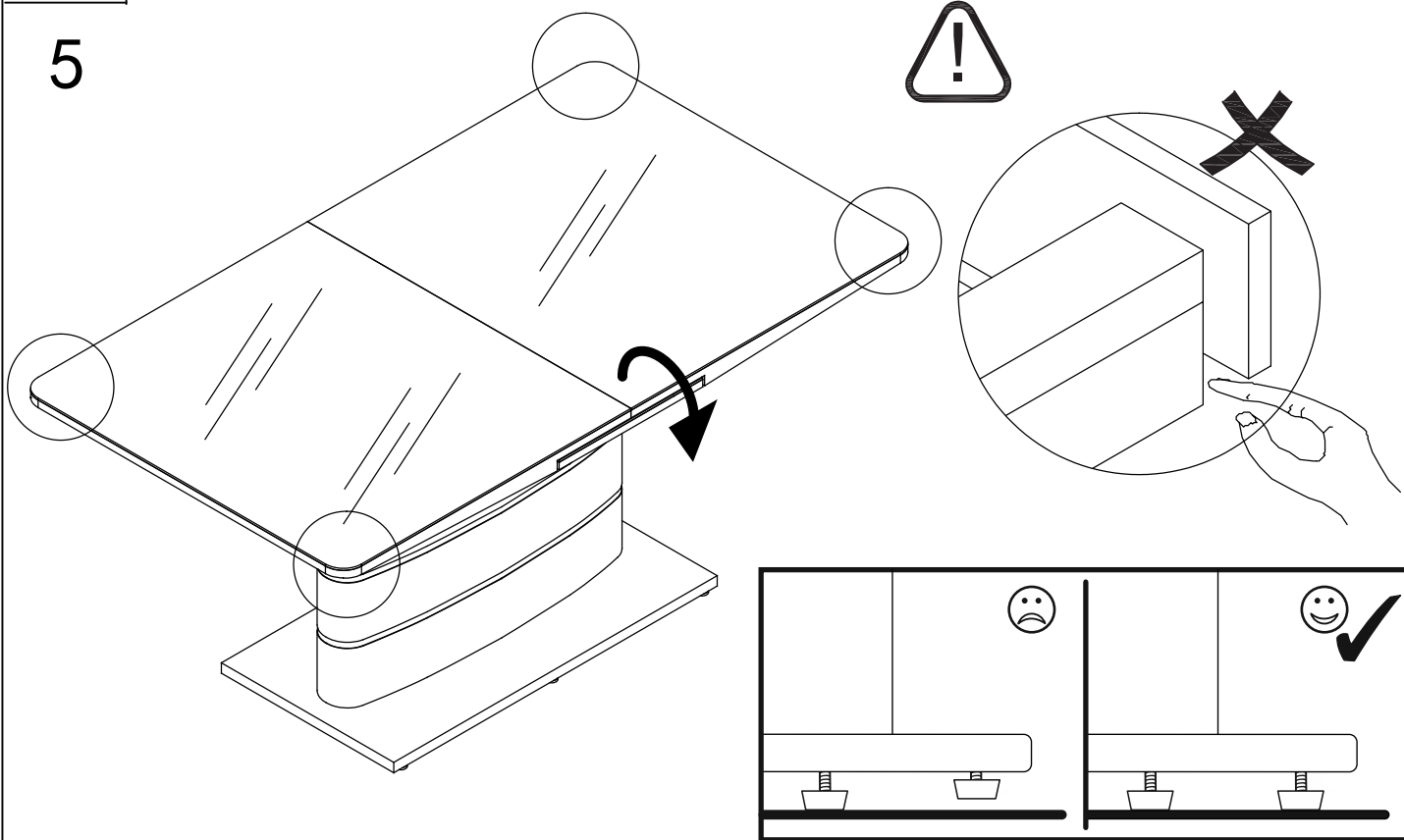


D		M6x∅25x10 6x
---	---	-----------------

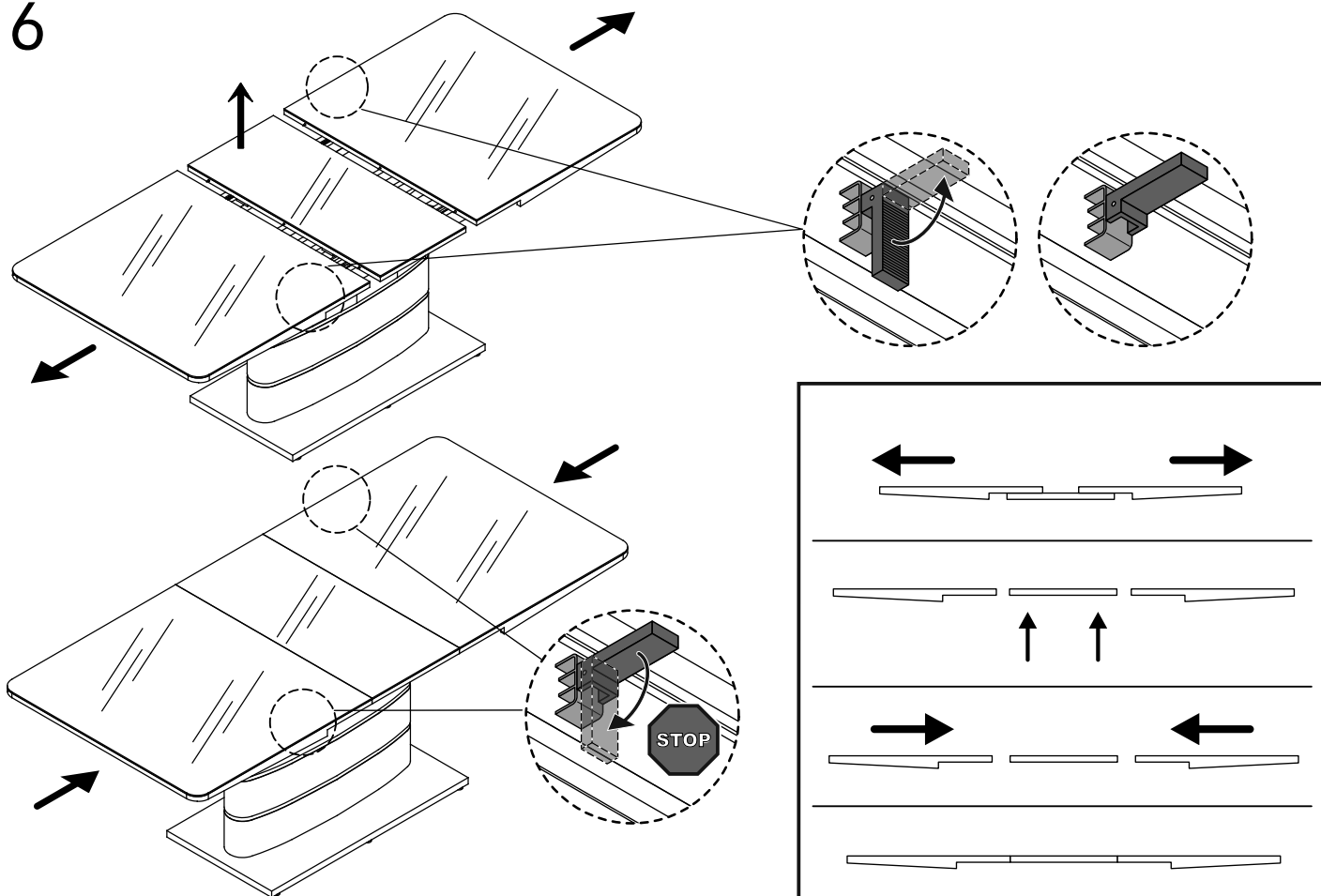


III.

5

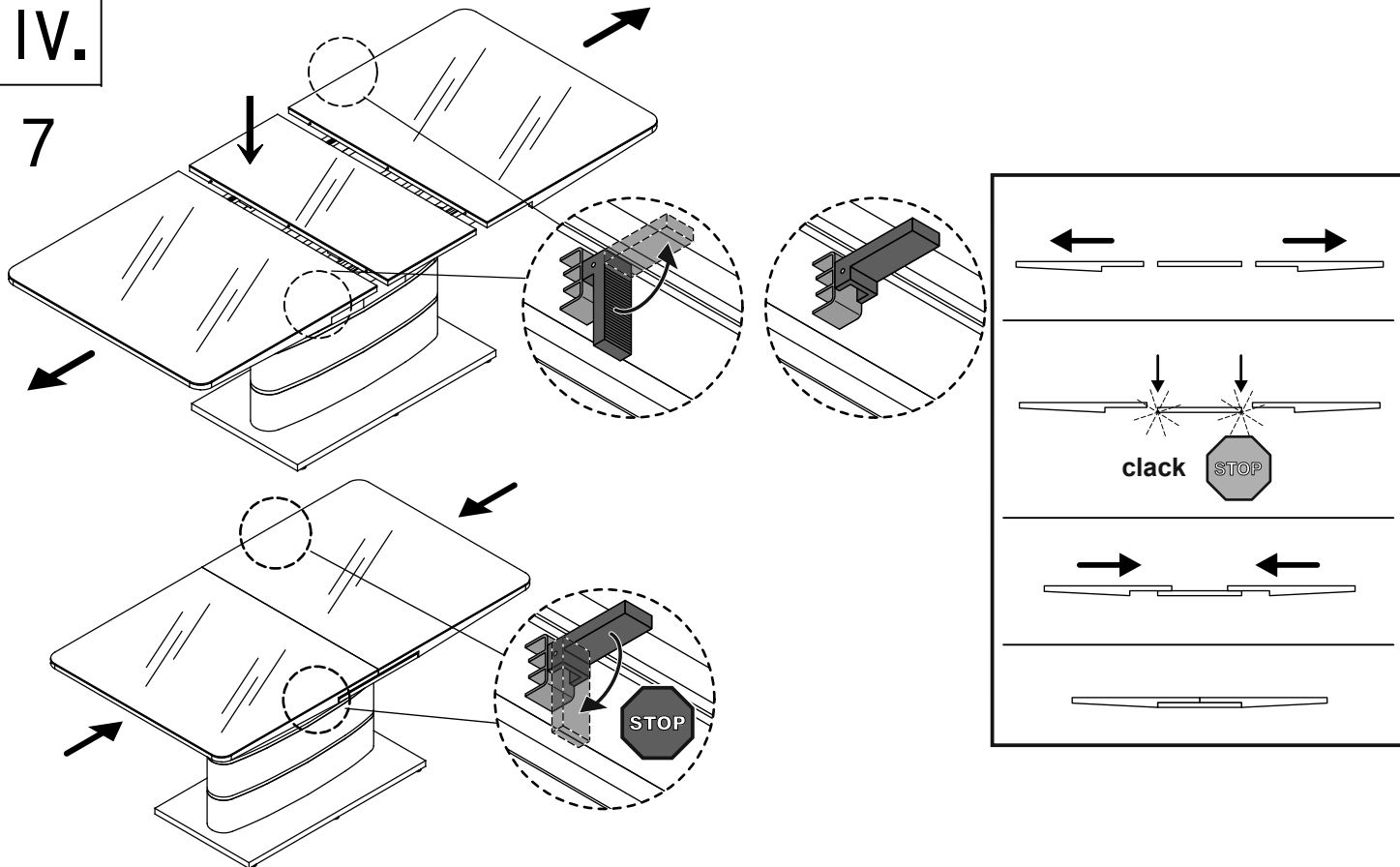


6

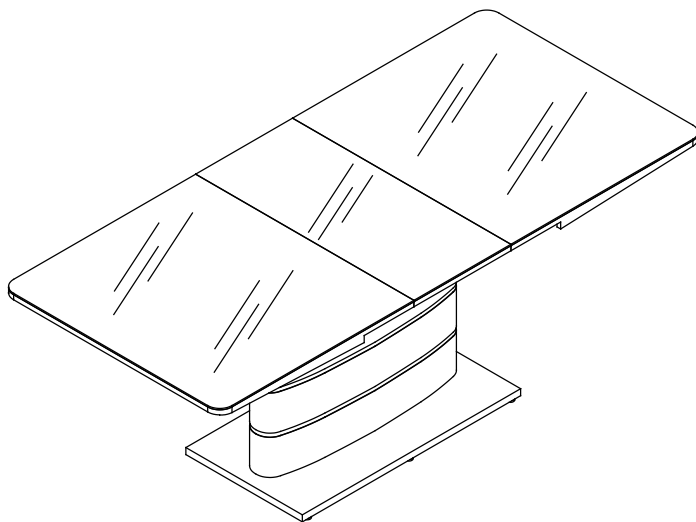


IV.

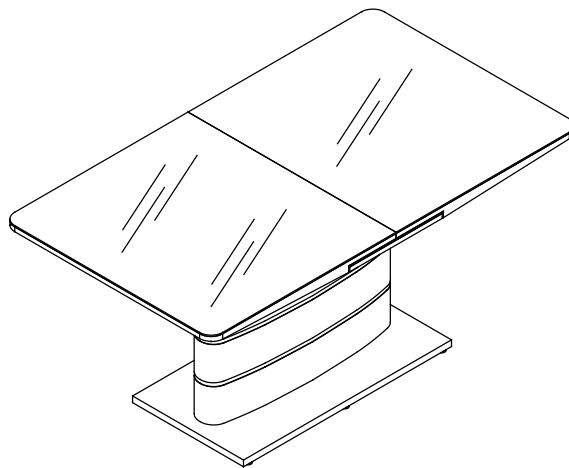
7



8



200 x 90 cm



160 x 90 cm

