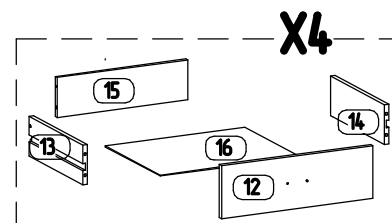
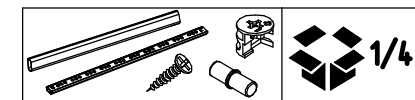
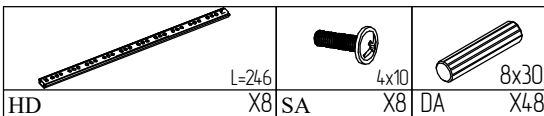
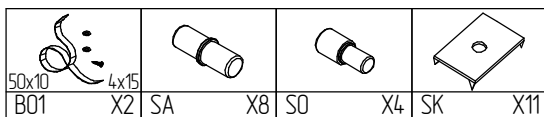
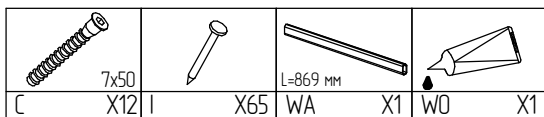
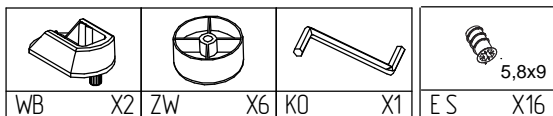
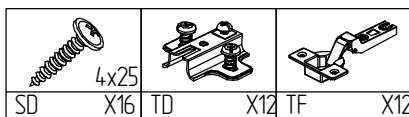
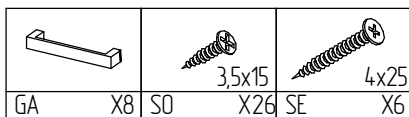
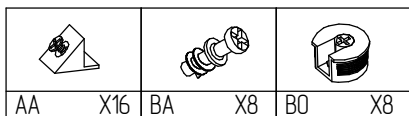
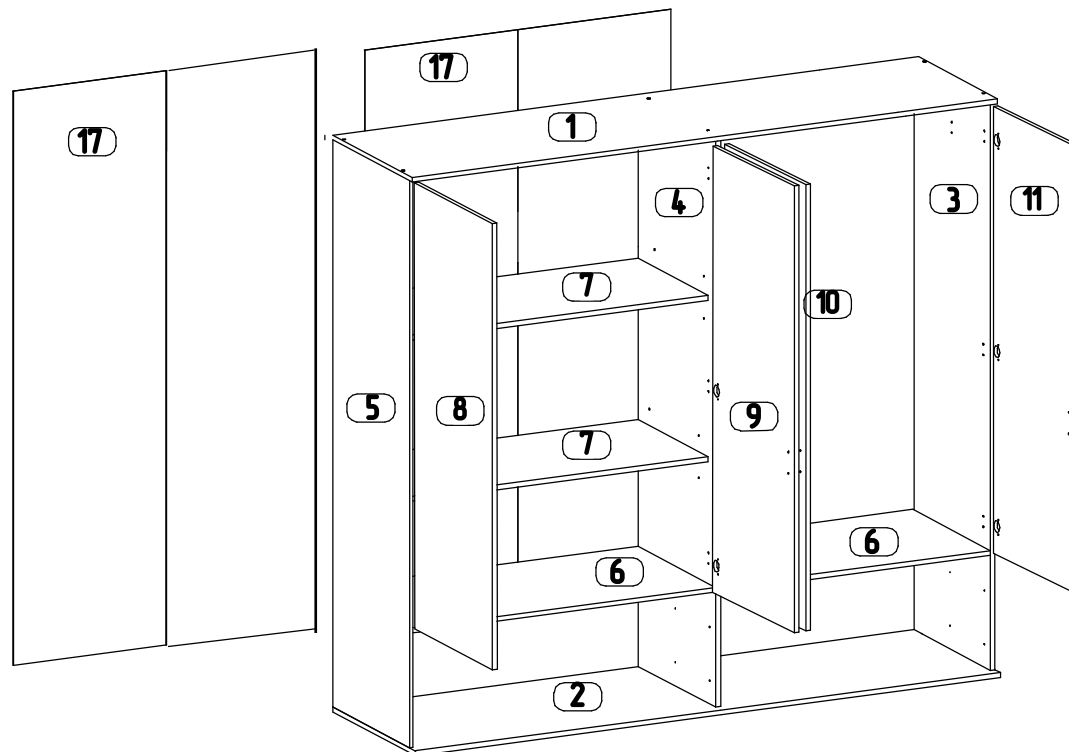


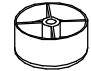


Nº	Ausmaß	St.	Colli
1	1800 x 520 x 15	1	3/4
2	1800 x 520 x 15	1	3/4
3	1850 x 490 x 15	1	2/4
4	1850 x 486 x 15	1	2/4
5	1850 x 490 x 15	1	2/4
6	877 x 486 x 15	2	1/4
7	877 x 446 x 15	2	3/4
8	1442 x 443 x 15	1	4/4
9	1442 x 443 x 15	1	4/4
10	1442 x 443 x 15	1	4/4
11	1442 x 443 x 15	1	4/4
12	890 x 199 x 15	4	1/4
13	325 x 120 x 12	4	1/4
14	325 x 120 x 12	4	1/4
15	846 x 120 x 15	4	1/4
16	855 x 324 x 3	4	1/4
17	1871 x 894 x 3	2	2/4

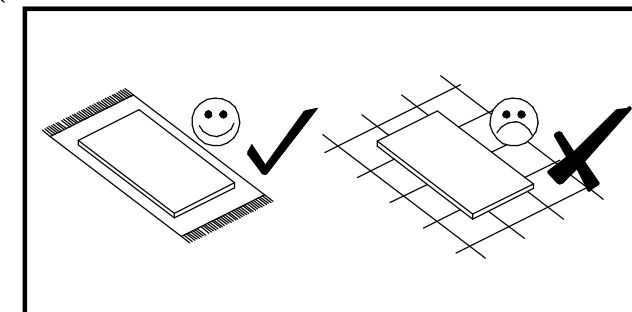
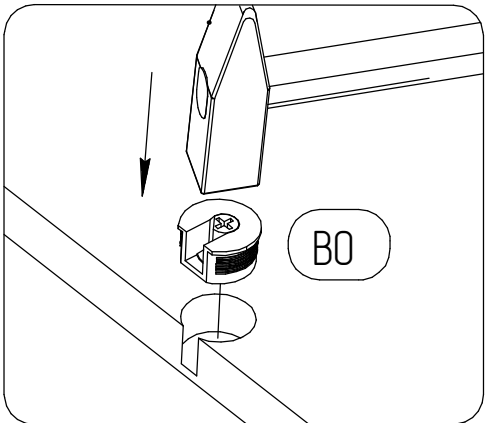
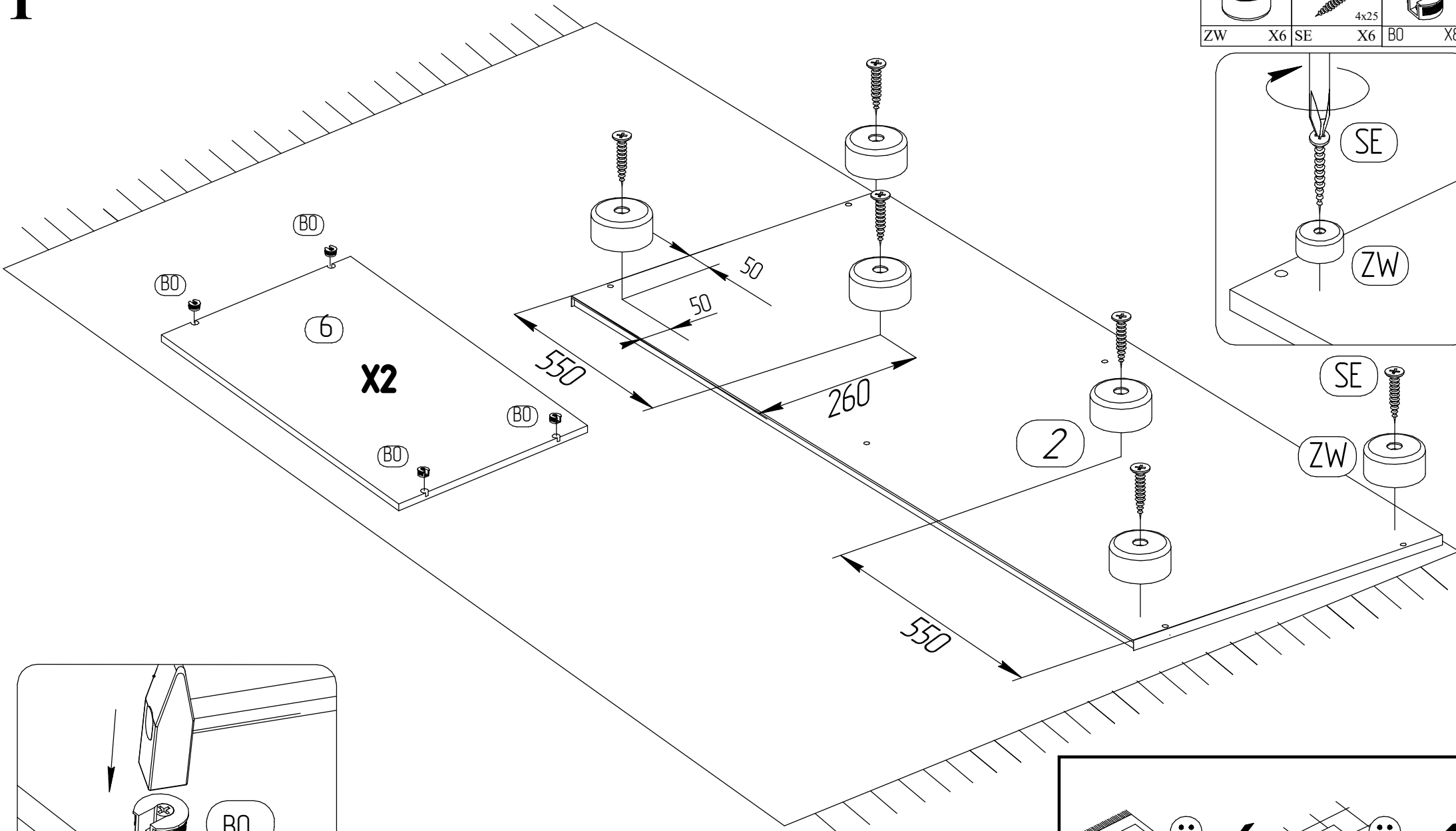
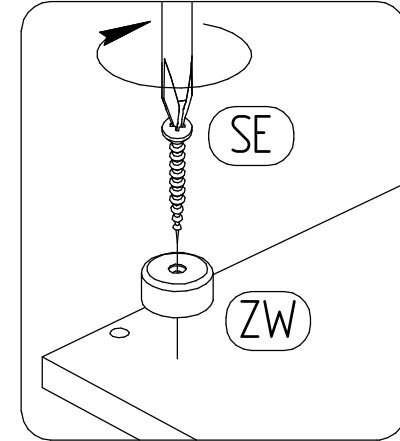


0 10 20 30 40 50 60 70 80 90 100

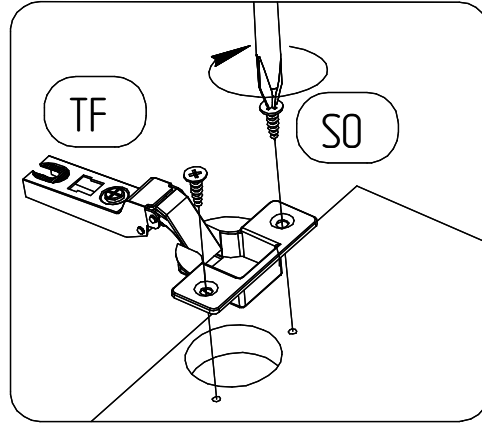




1

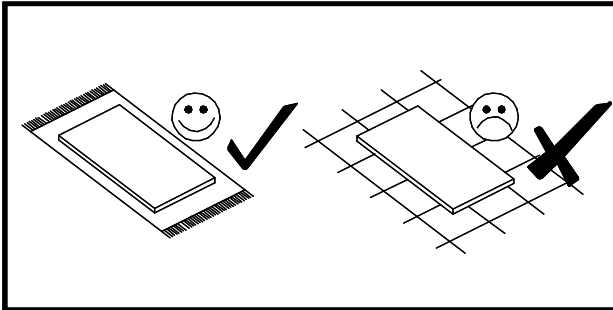
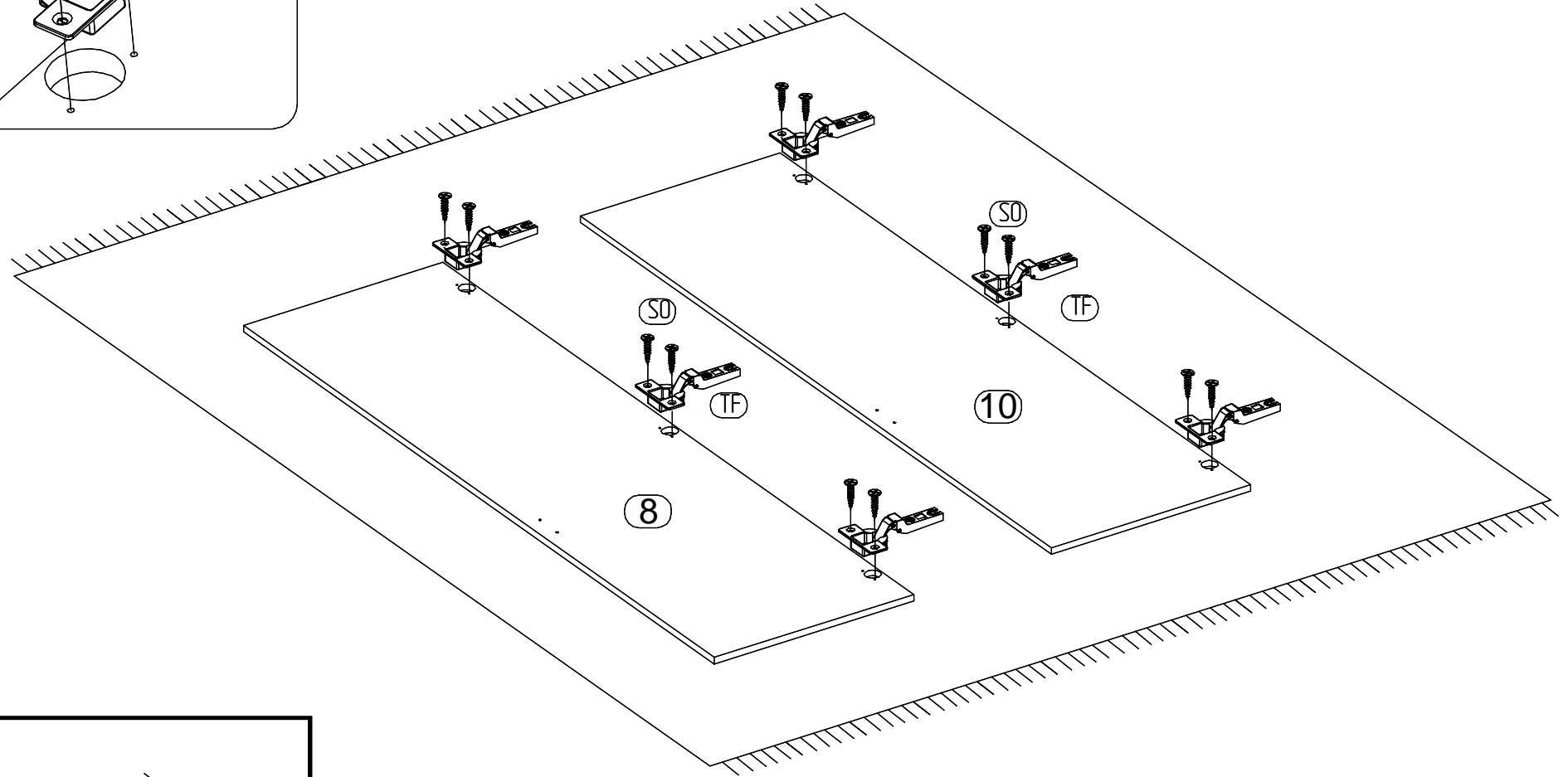
		
ZW	4x25	BO
X6	X6	X8

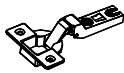



2

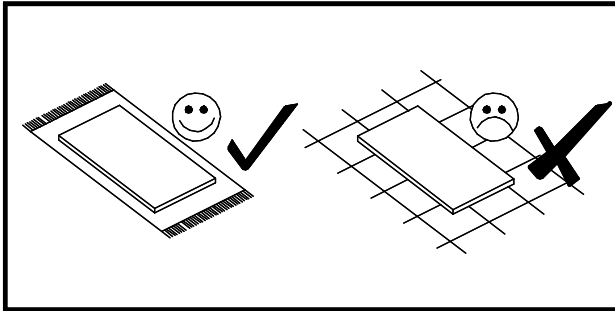
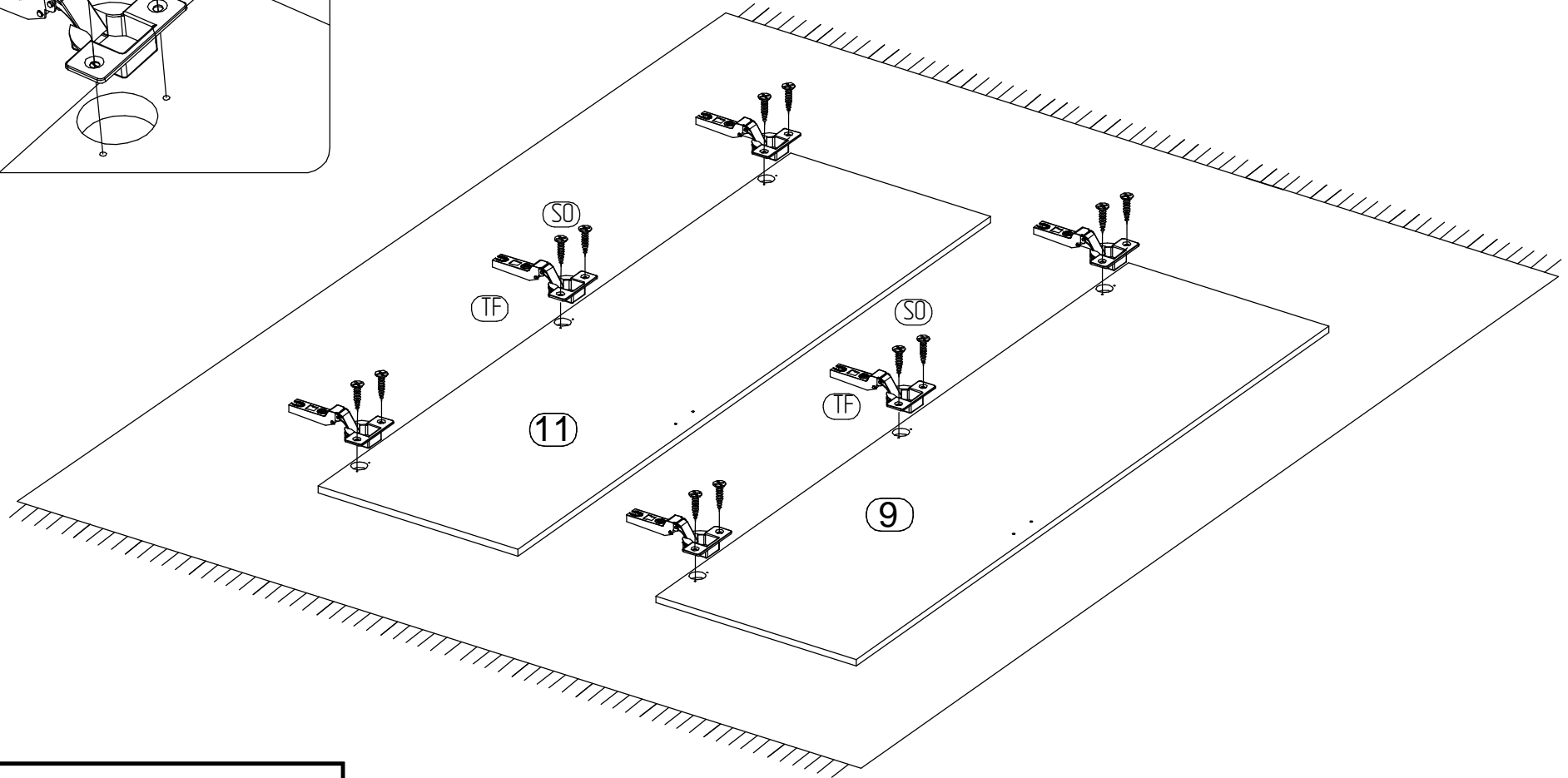
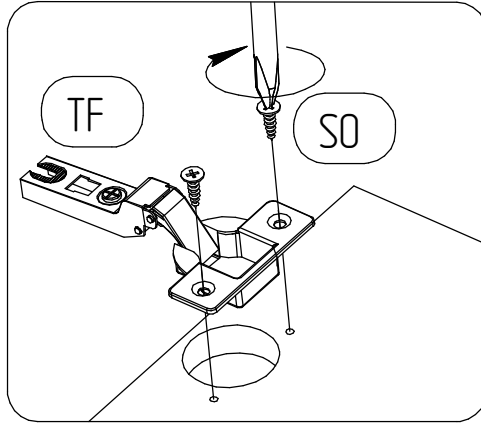


	
TF	SO
X6	X12
	3,5x15

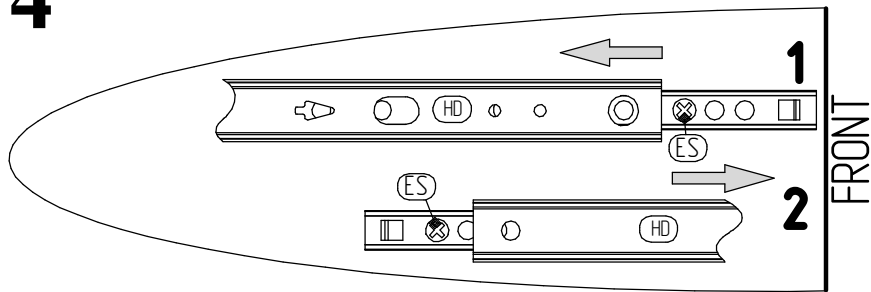




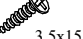



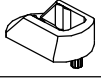
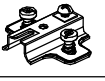
	
TF	3,5x15
X6	X12

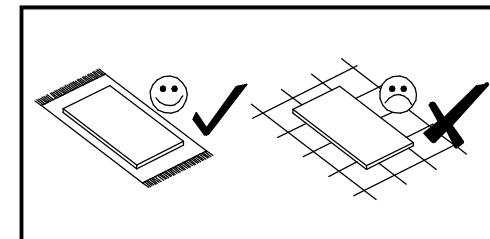
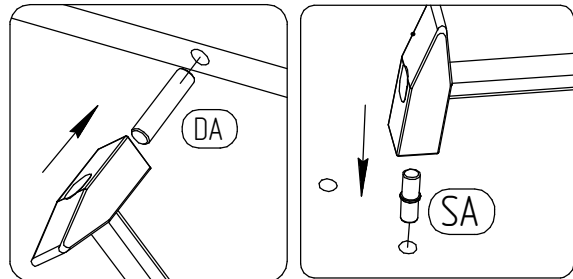
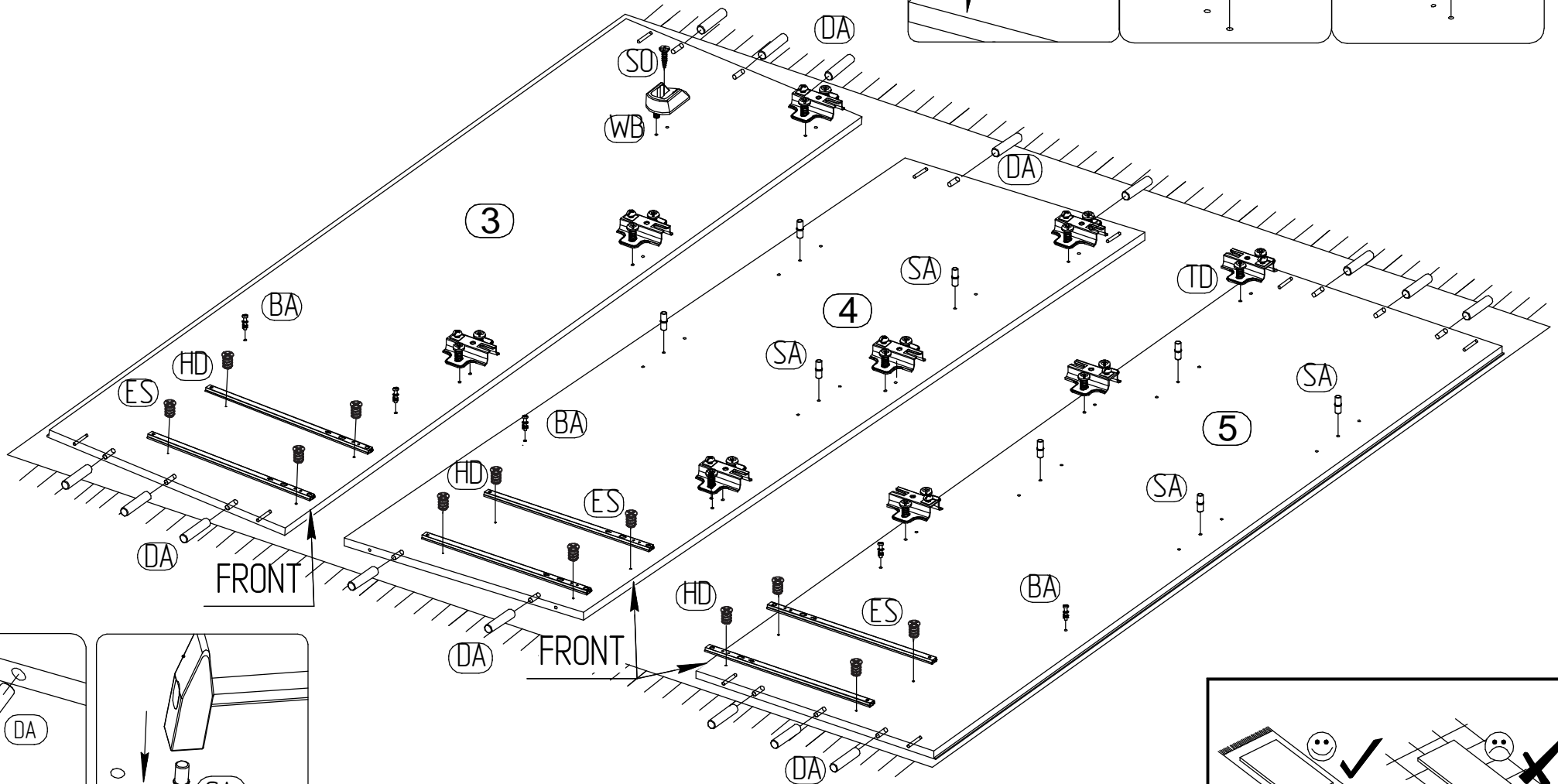
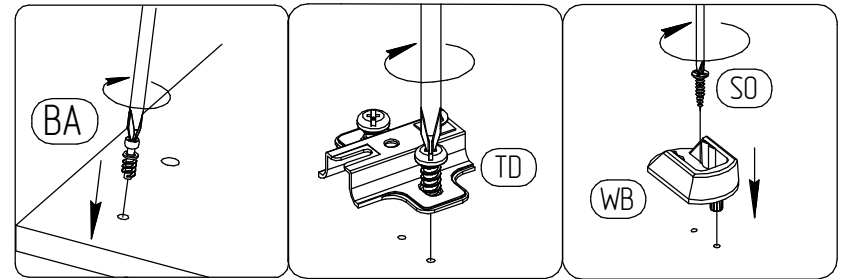
3



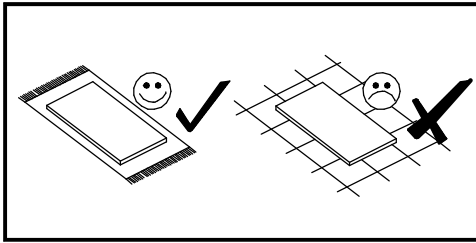
4



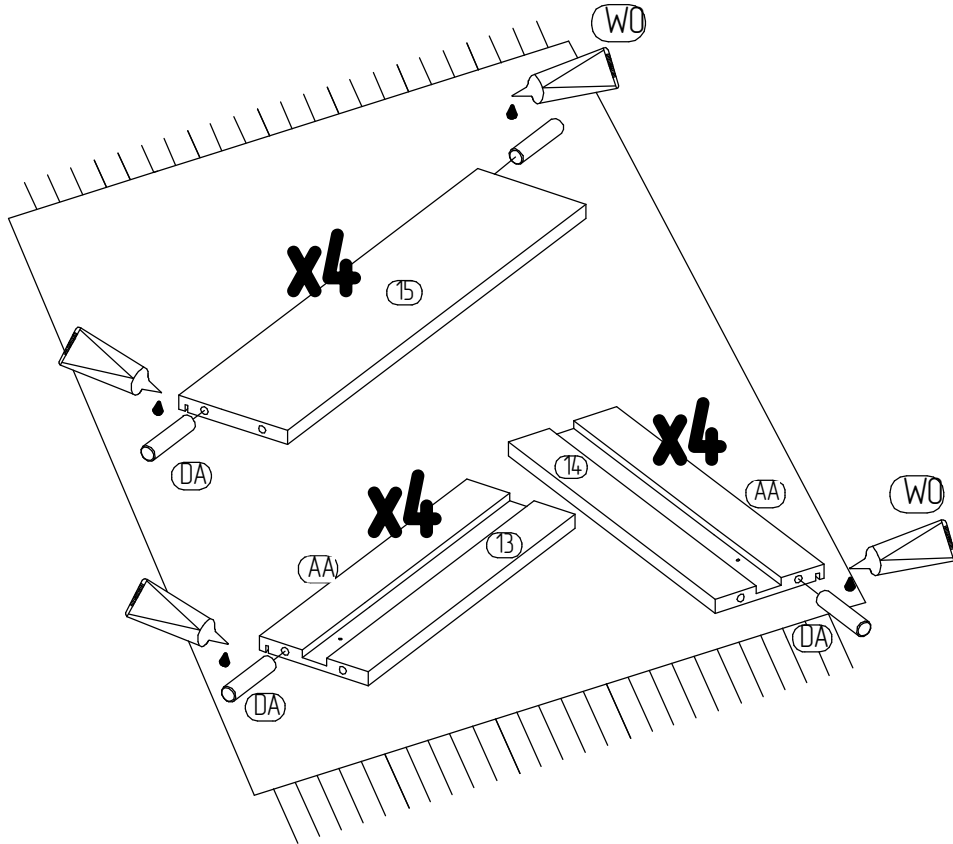
							
HD	ES	SO	SA	BA	DA	WB	TD
X6	X12	X1	X8	X6	X16	X1	X9
L=342	5,8x9	3,5x15			8x30		



5

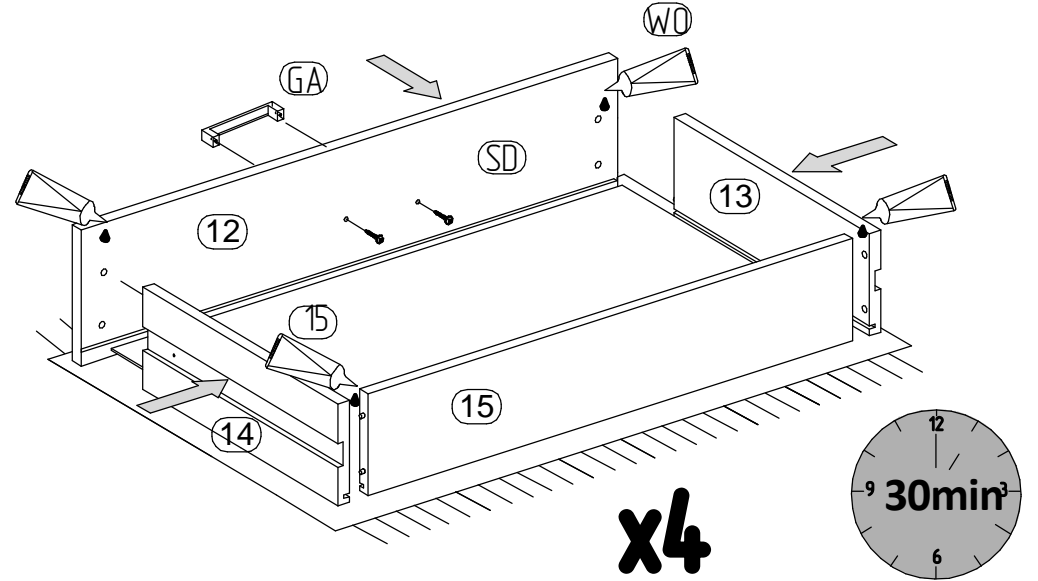


W0 X1 DA	8x30 X32

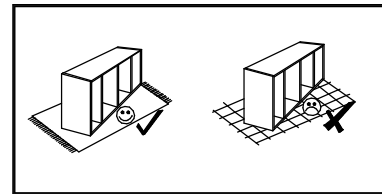


6

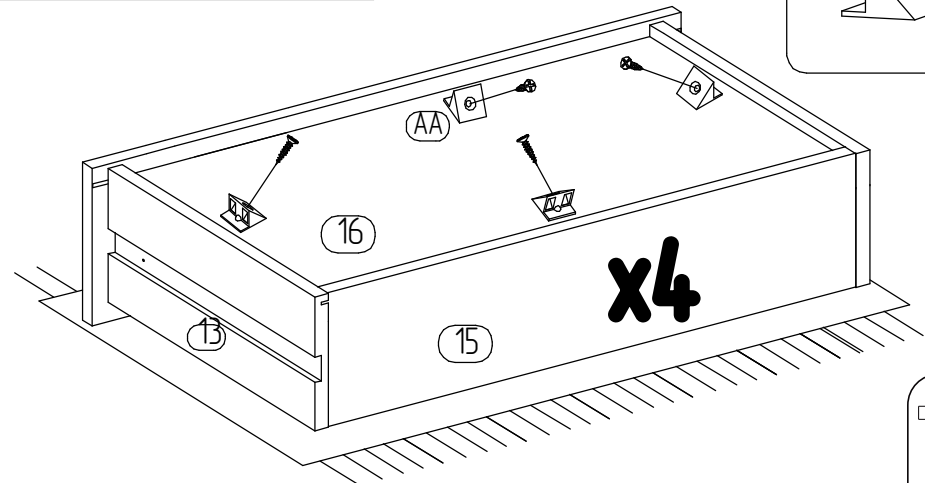
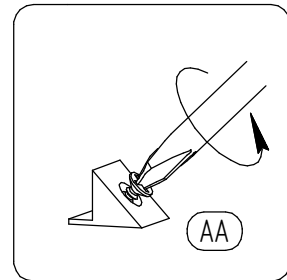
GA X4 SD X8 W0 X1	4x25 X8	



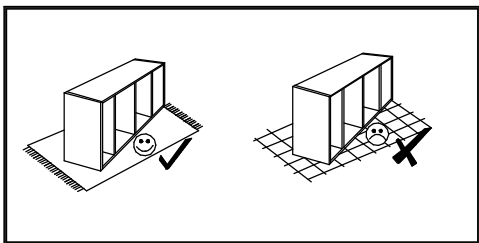
7



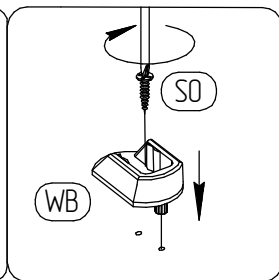
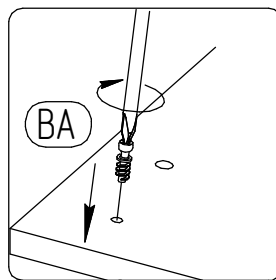
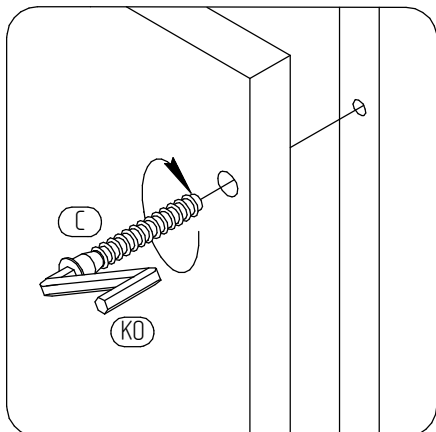
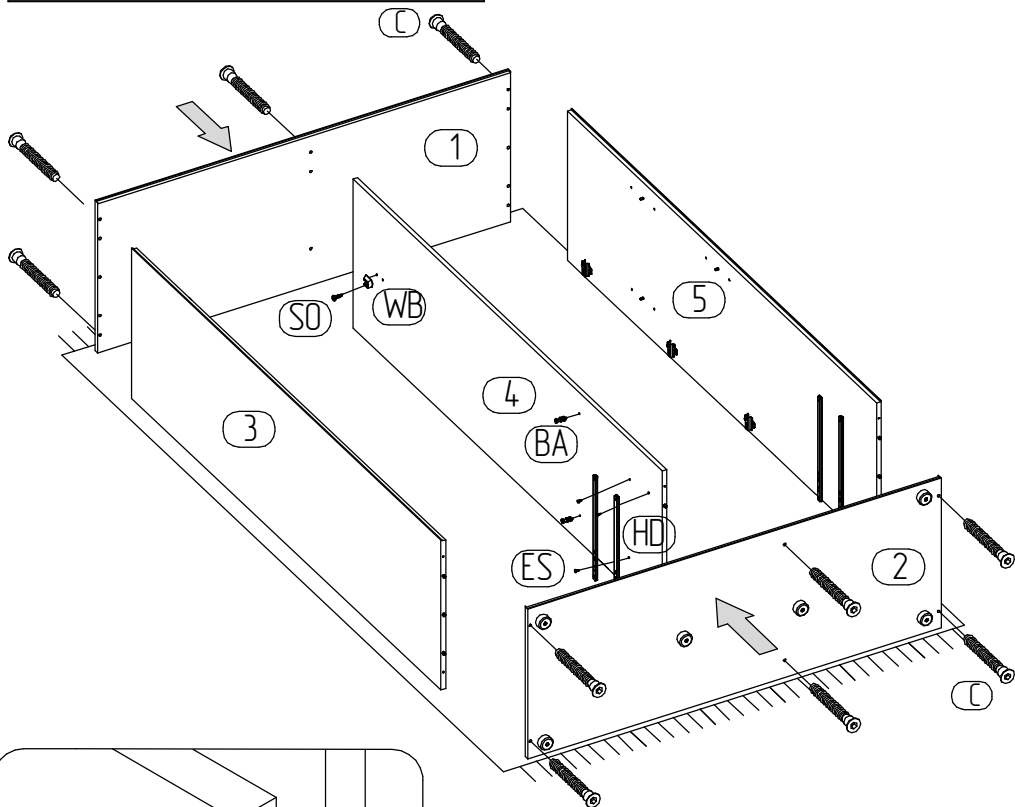
AA X16



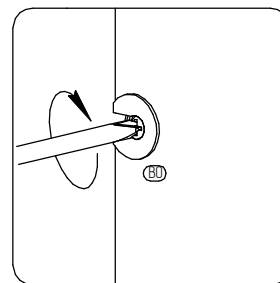
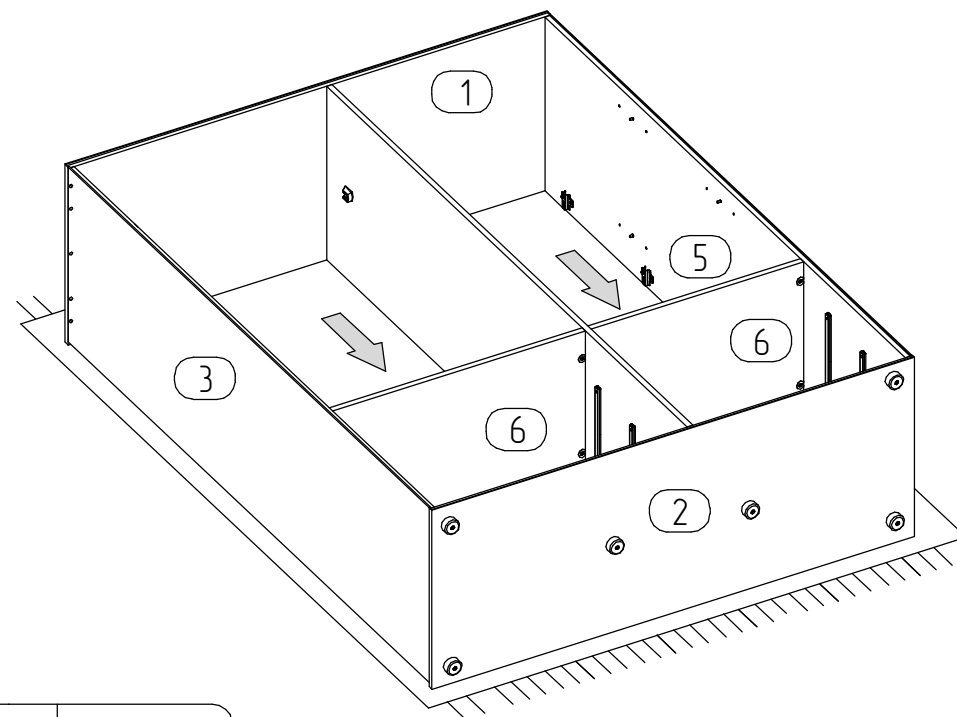
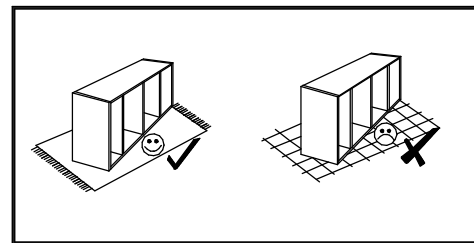
8



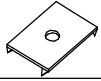

SO X1	BA X2	KO X1	C X12
ES X4	WB X1	HD X1	X2

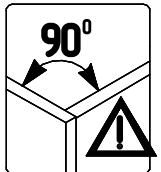
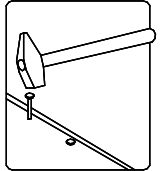
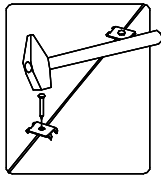
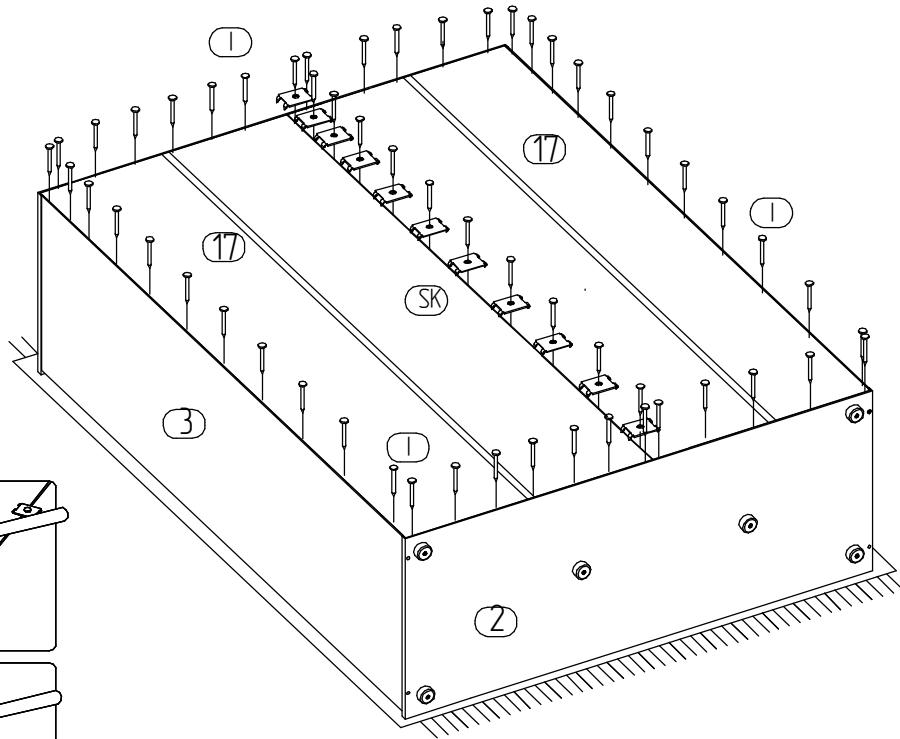
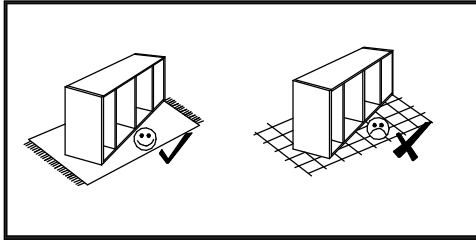


9



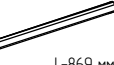


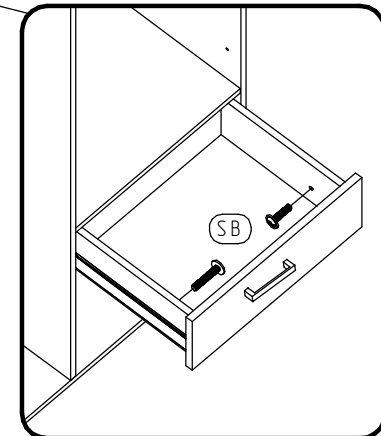
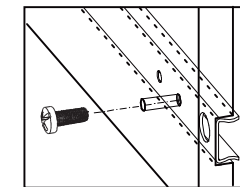
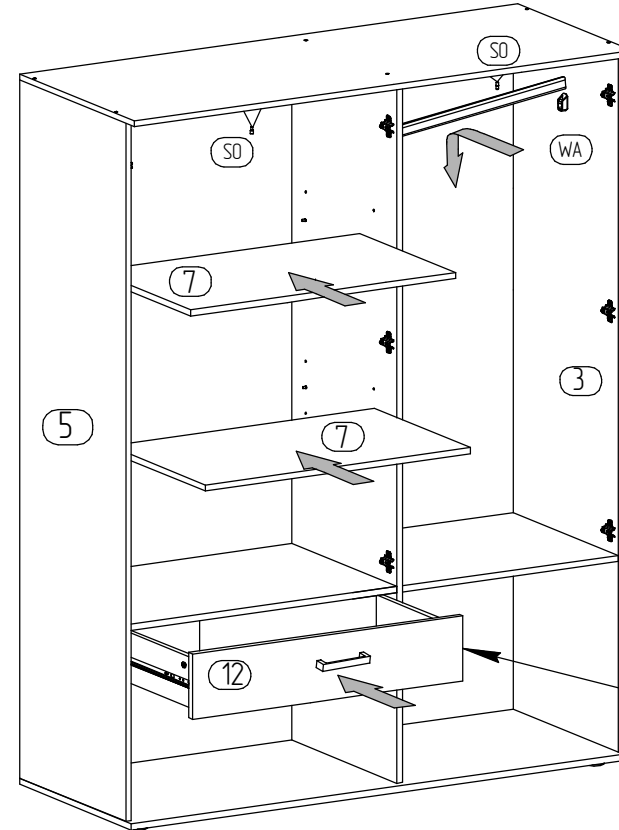
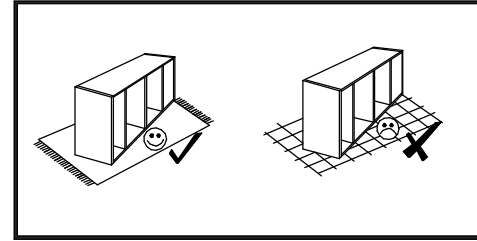
10

	
SK X11 I	X65


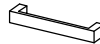



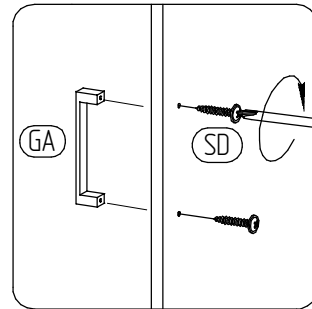
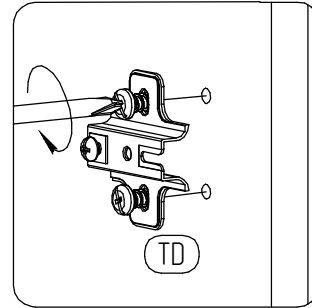
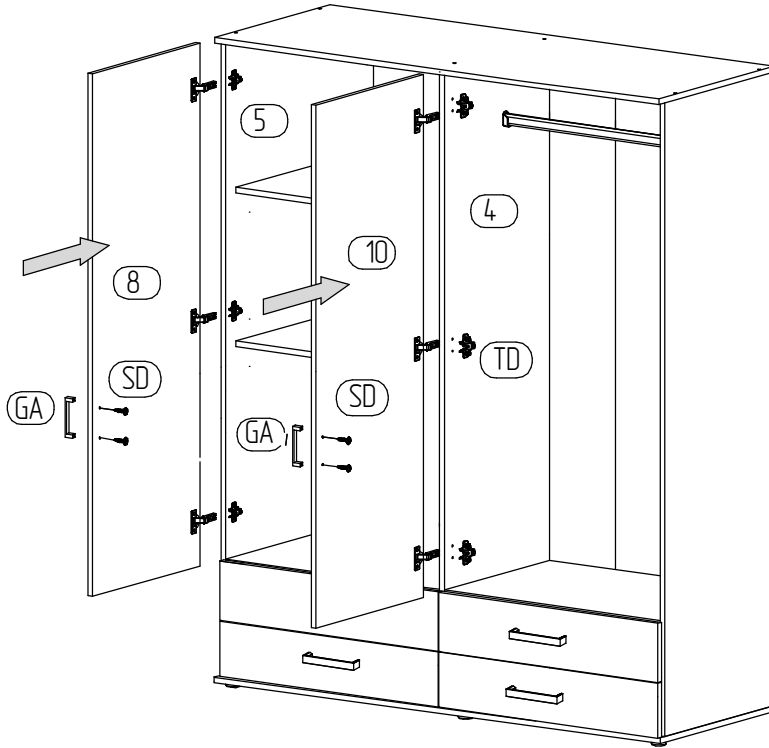
11

		
S0 X4	SB X8	WA X1





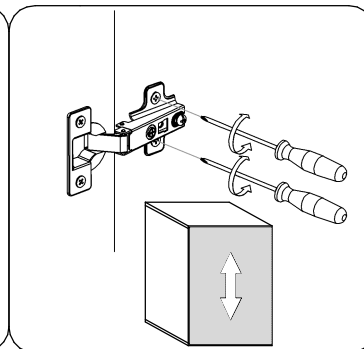
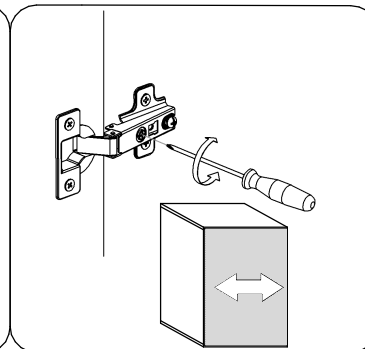
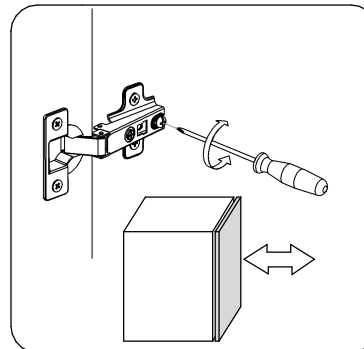
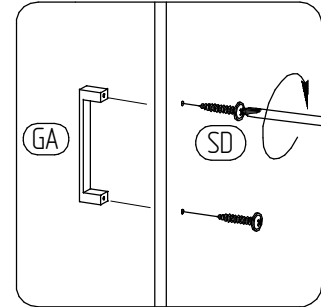
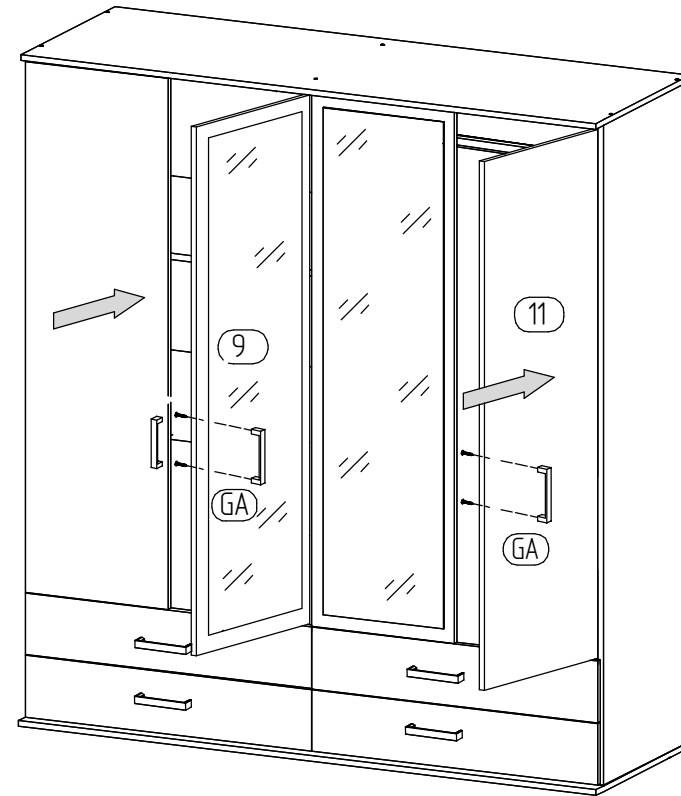
12

		
TD X3	GA X2	SD X4



13

	
GA X2	SD X4



14

