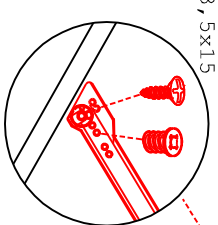
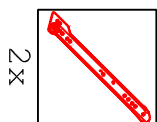
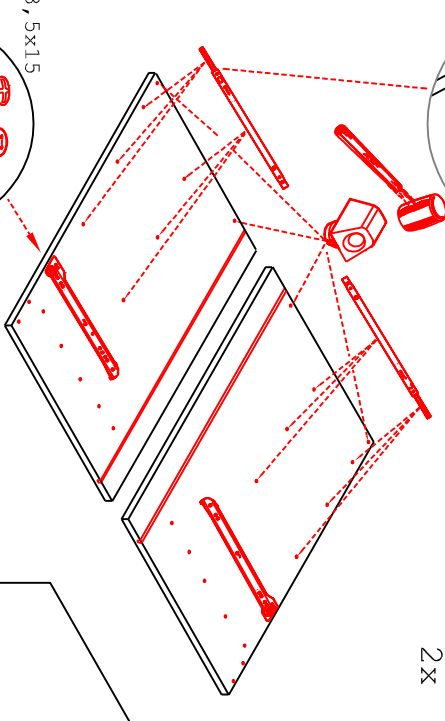
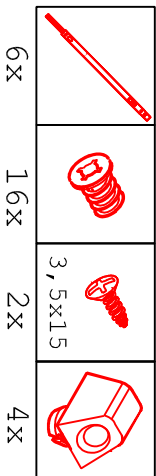
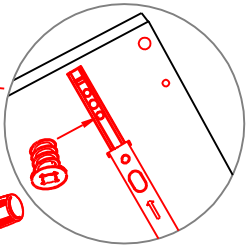


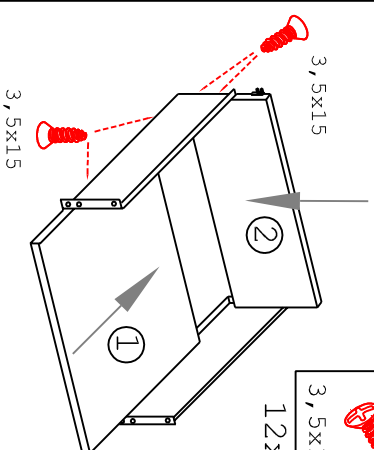
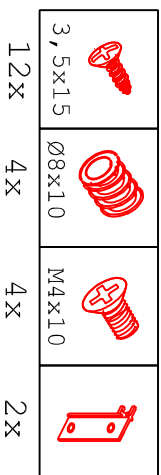
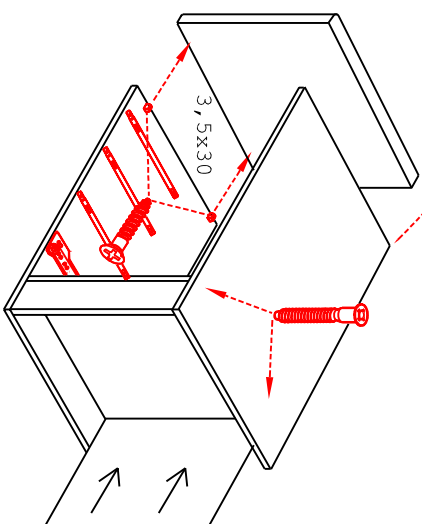
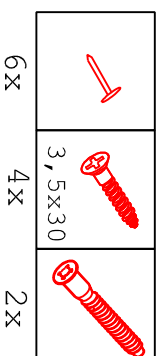
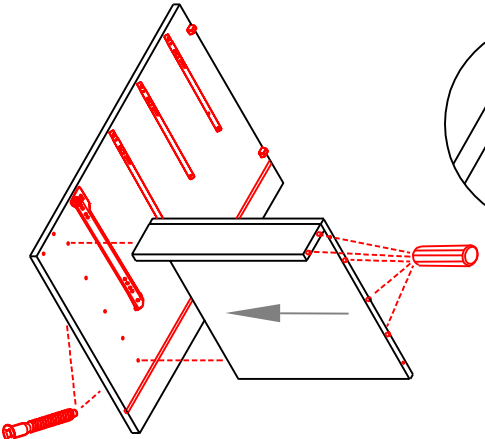
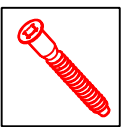
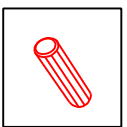
USSA 50

Wito / Nano

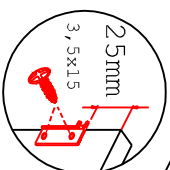
Montageanleitung / Notice de montage / Assembly instruction



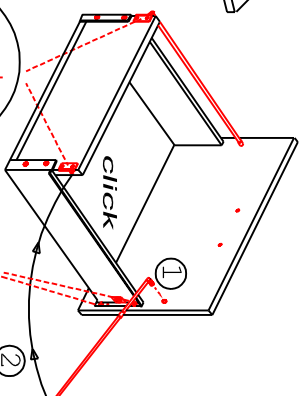
3,5x15



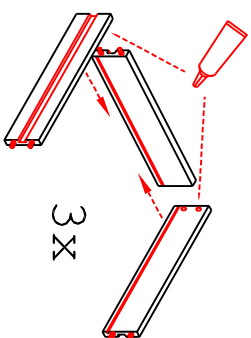
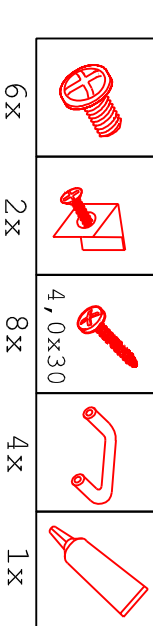
3,5x15



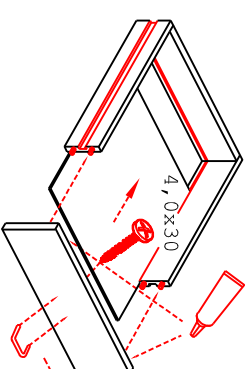
2,5mm



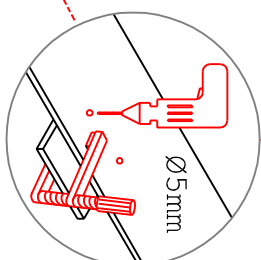
M4x10



3x



4,0x30



Ø5mm

