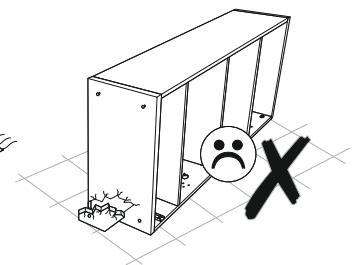
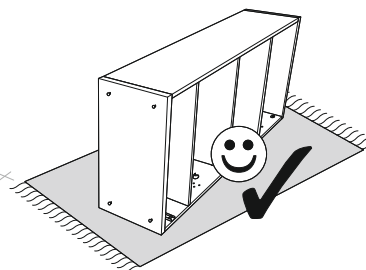
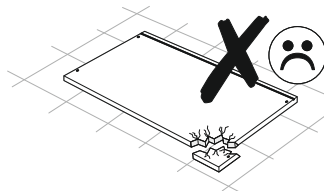
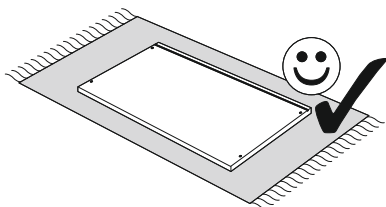
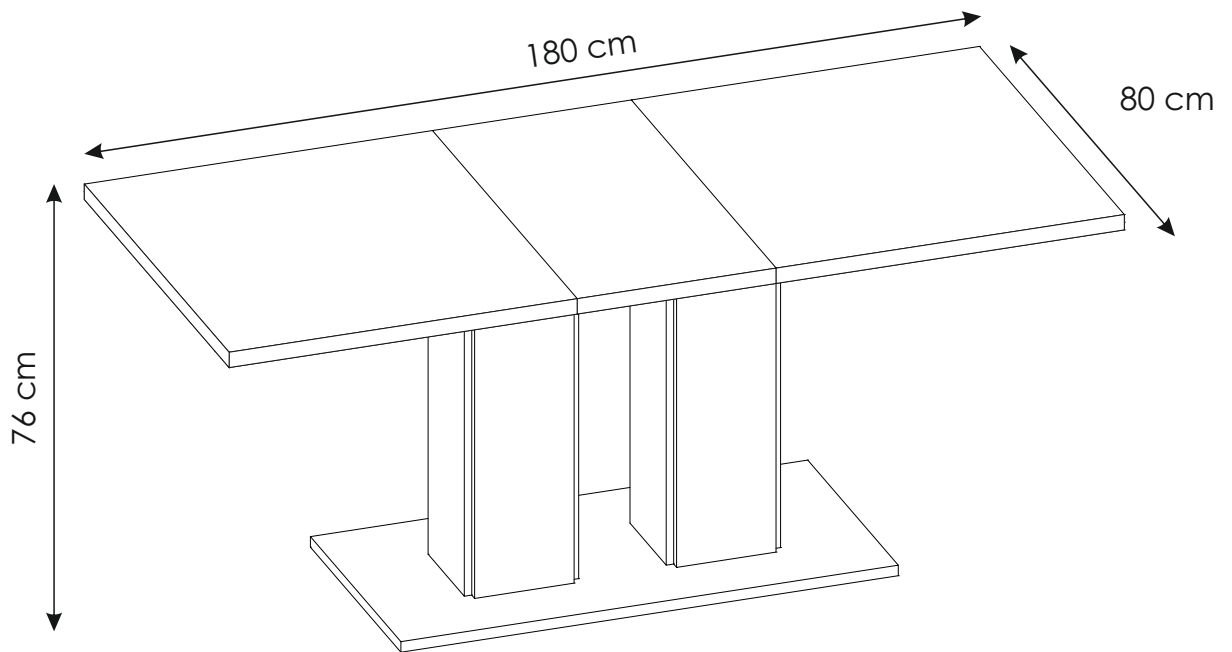
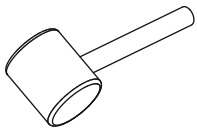
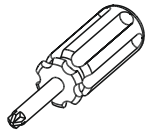
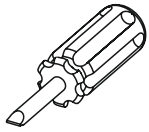
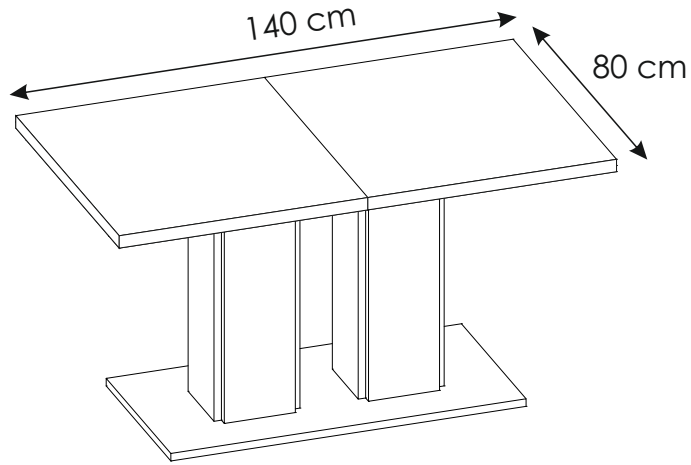
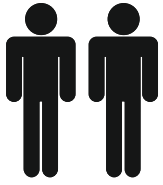
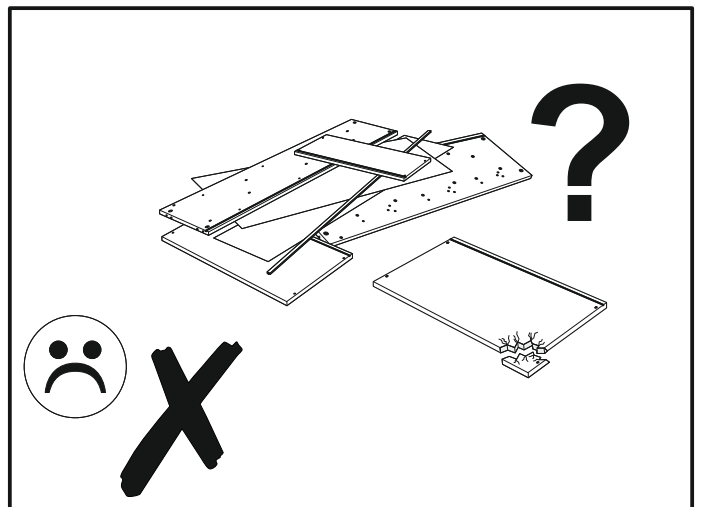
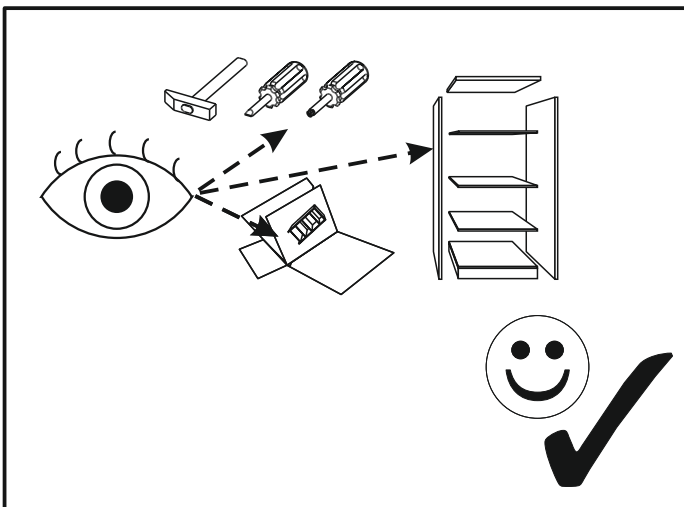
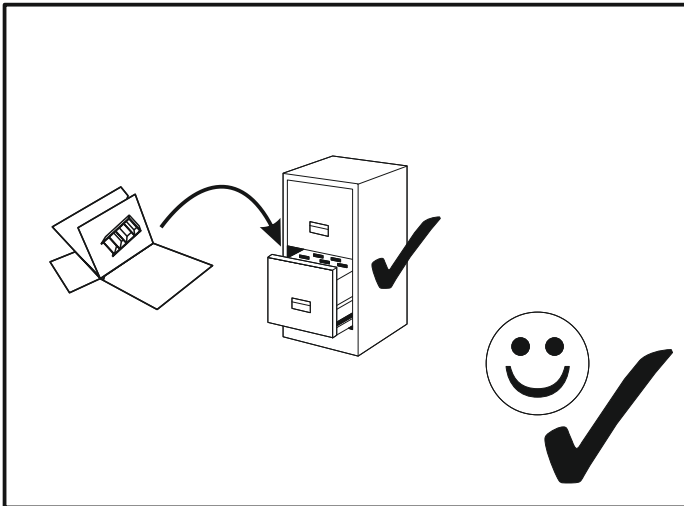
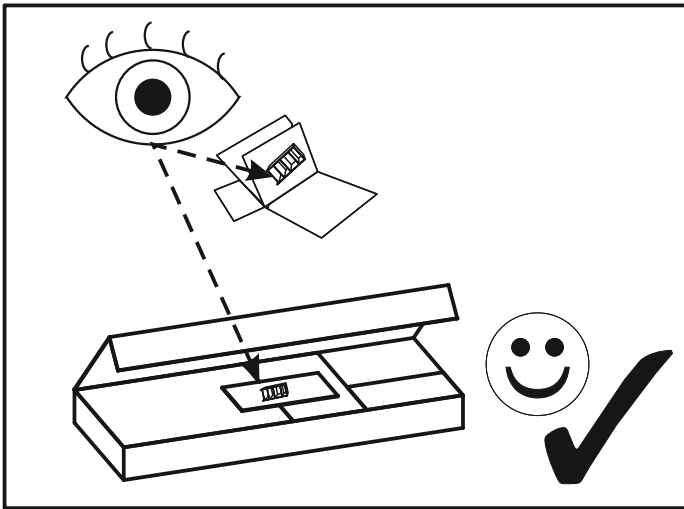


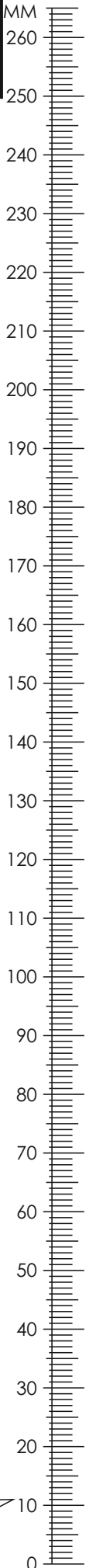
# RAMONA xxx-549

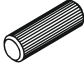
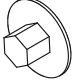
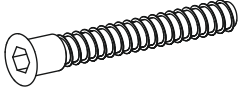

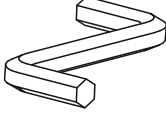
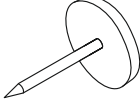

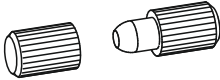
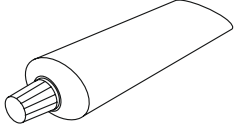


HELA Tische Möbel Vertriebs GmbH  
Scheidkamp 14  
D - 32584 Löhne

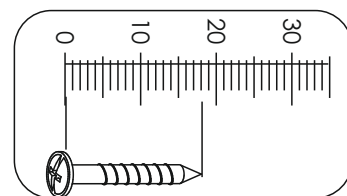




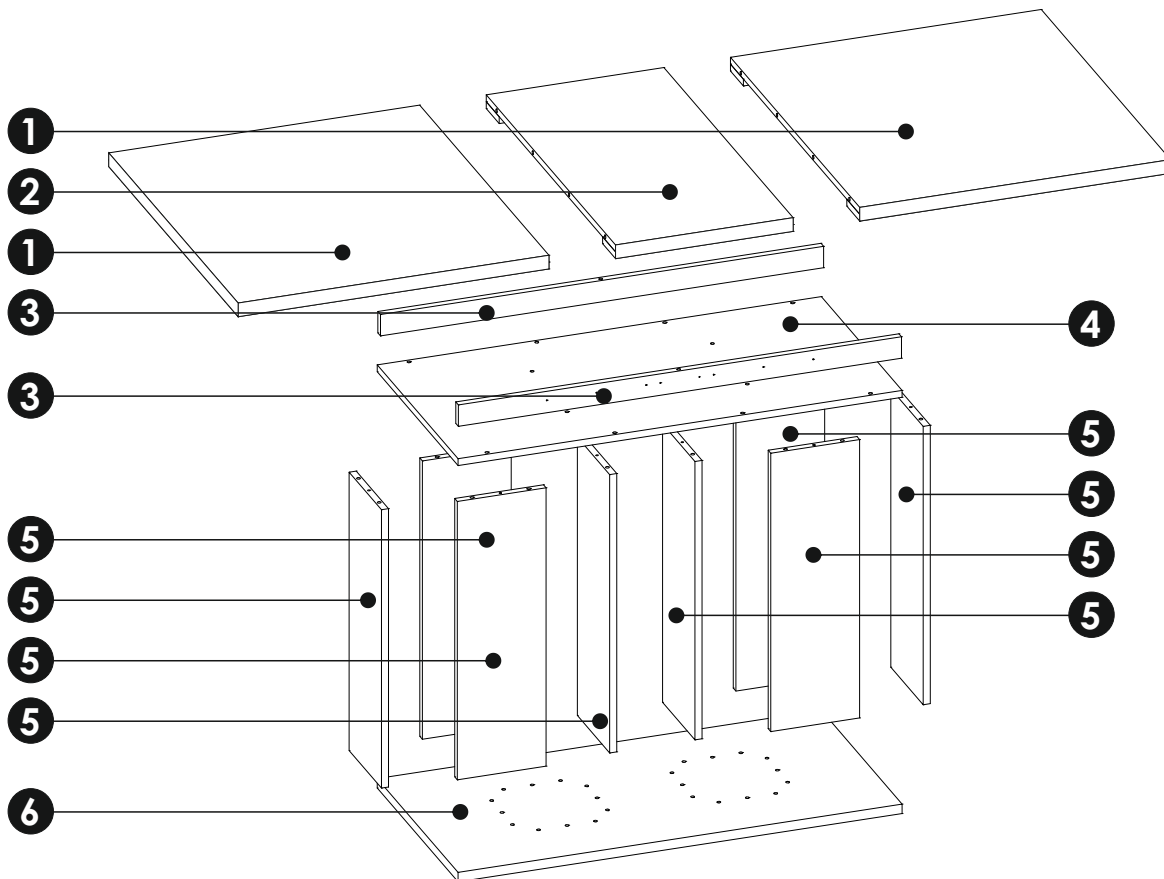
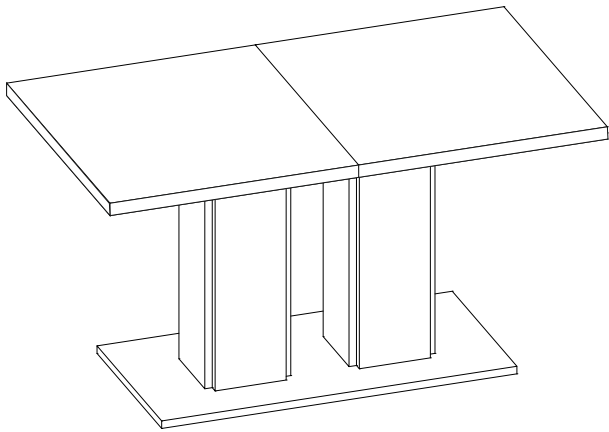
# RAMONA xxx-549



<b>A1</b> 8 x 35 mm x32 	<b>G0</b> x16 	<b>G2</b> 7 x 60 mm x24 
<b>I5</b> 4 x 12 mm x44 	<b>M</b> x1 	<b>O2</b> x8 
<b>O2A</b> ø20 x8 	<b>R8</b> x10 	<b>S</b> x1 
<b>S19</b> x4 	<b>T11</b> L - 650 mm x2 	






# RAMONA xxx-549

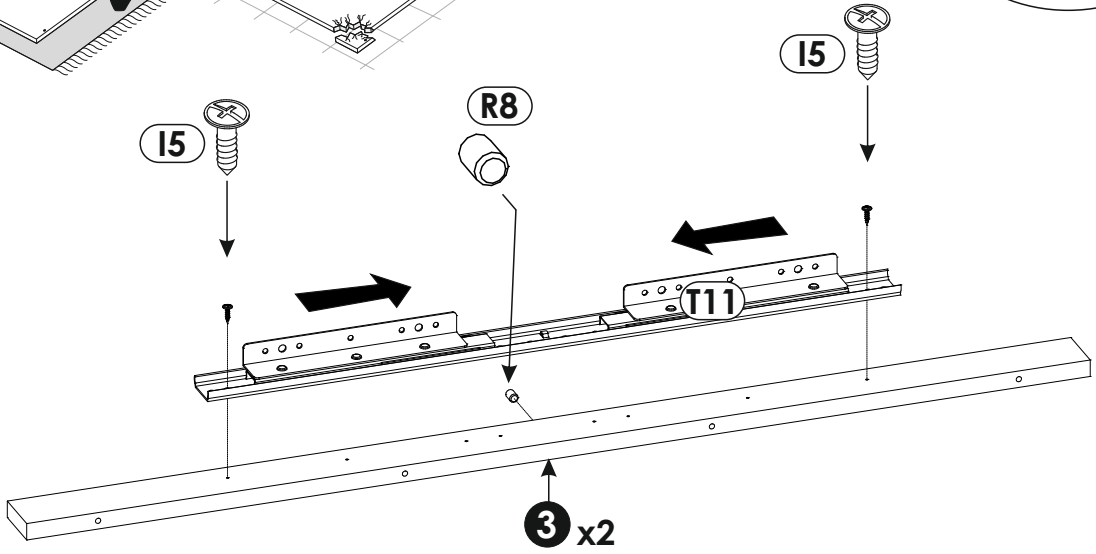
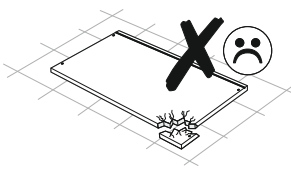
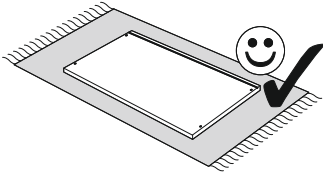
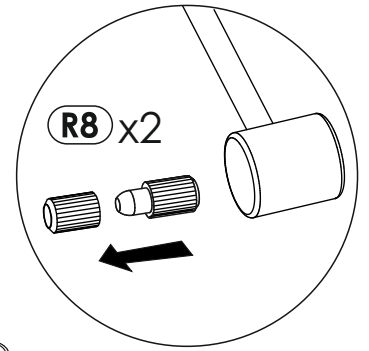


<b>1</b>	800	700	32	x2	2/2
<b>2</b>	800	400	32	x1	2/2
<b>3</b>	998	50	16	x2	1/2

<b>4</b>	1000	500	16	x1	1/2
<b>5</b>	650	200	16	x8	1/2
<b>6</b>	1000	500	22	x1	1/2

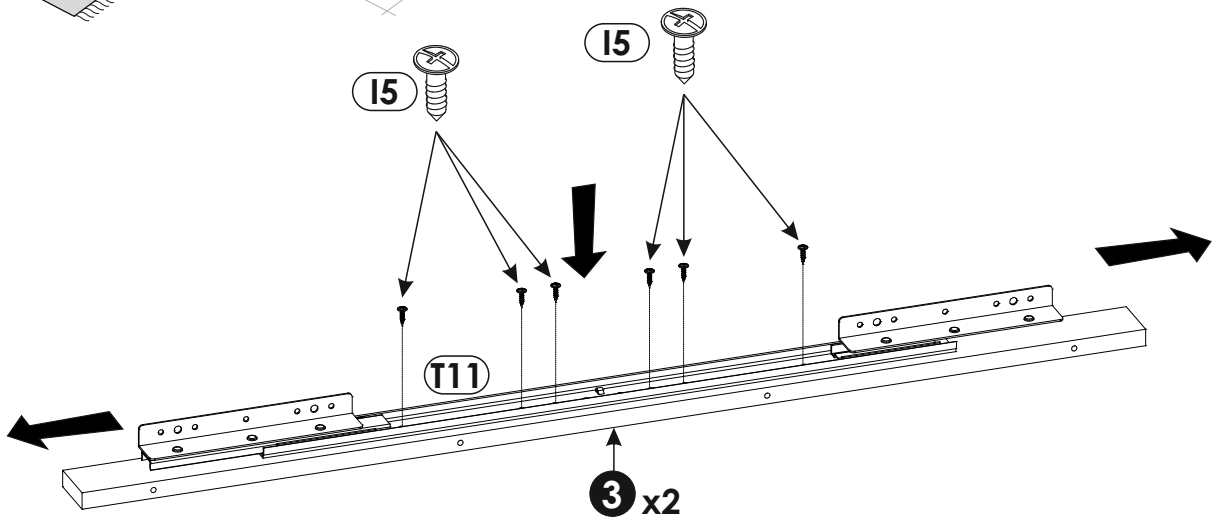
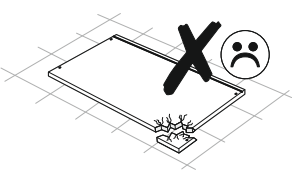
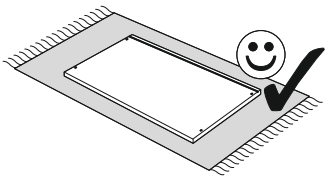
1 ▶

<b>I5</b> x4 4 x 12 mm 	<b>R8</b> x2 	<b>T11</b> L - 650 mm x2 
--	---	--



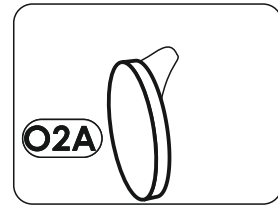
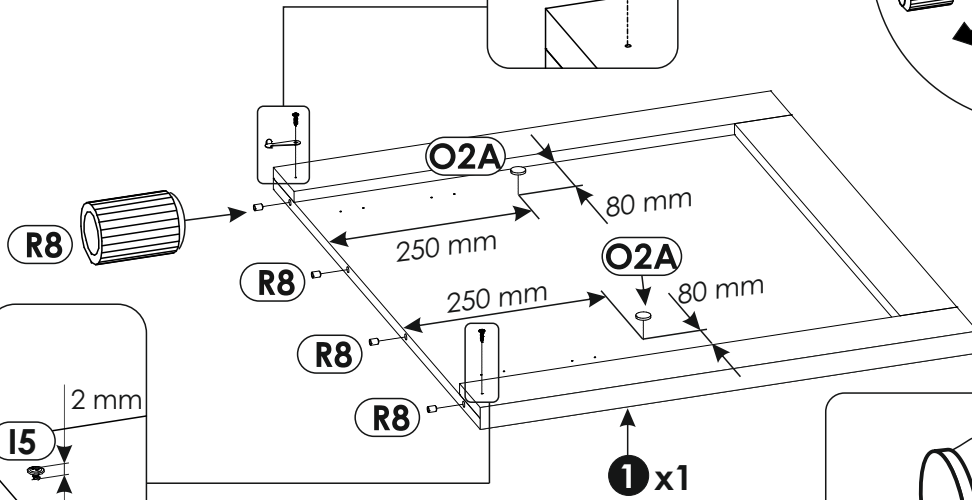
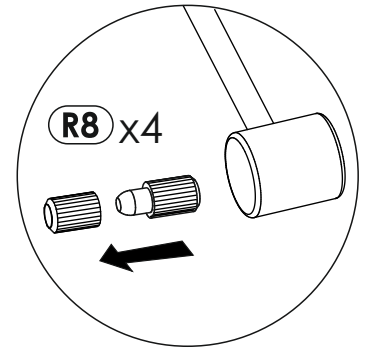
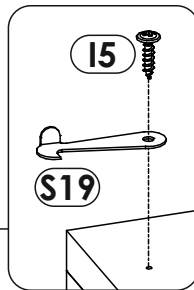
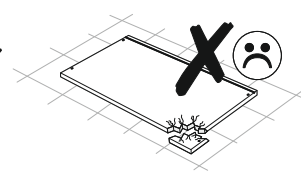
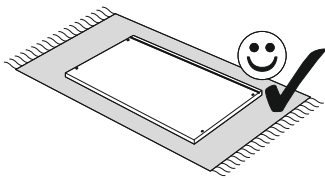
2 ▶

<b>I5</b> x12 4 x 12 mm 
---



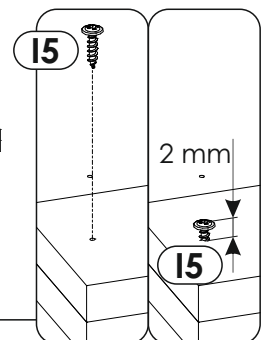
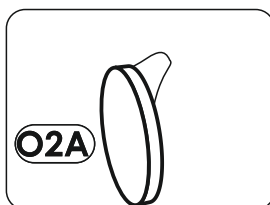
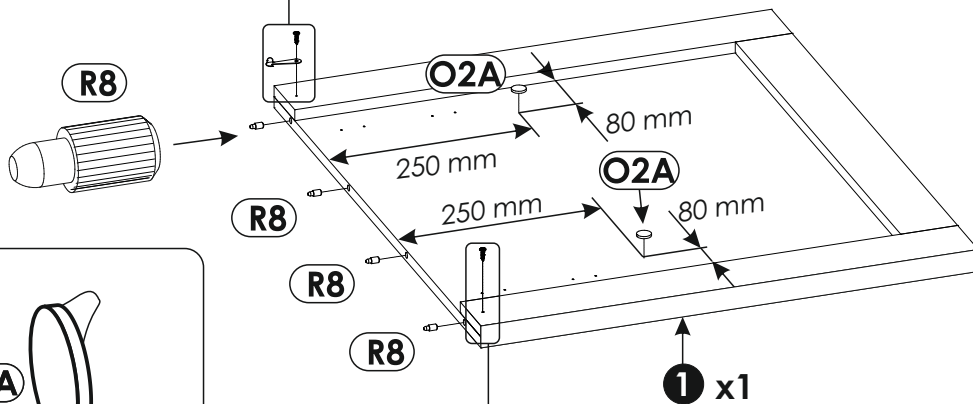
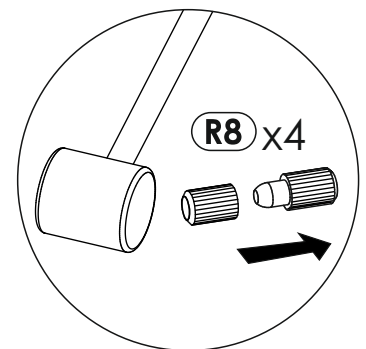
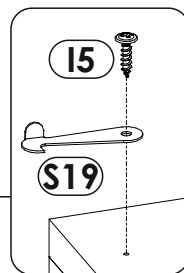
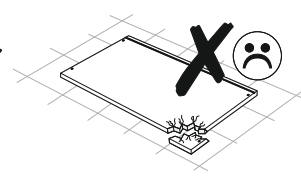
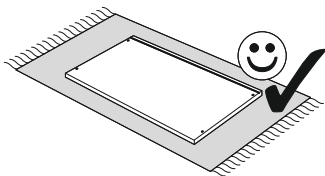
3 ▶

<b>I5</b> x2 4 x 12 mm	<b>O2A</b> x2 ø20	<b>R8</b> x4	<b>S19</b> x1
------------------------------	-------------------------	-----------------	------------------

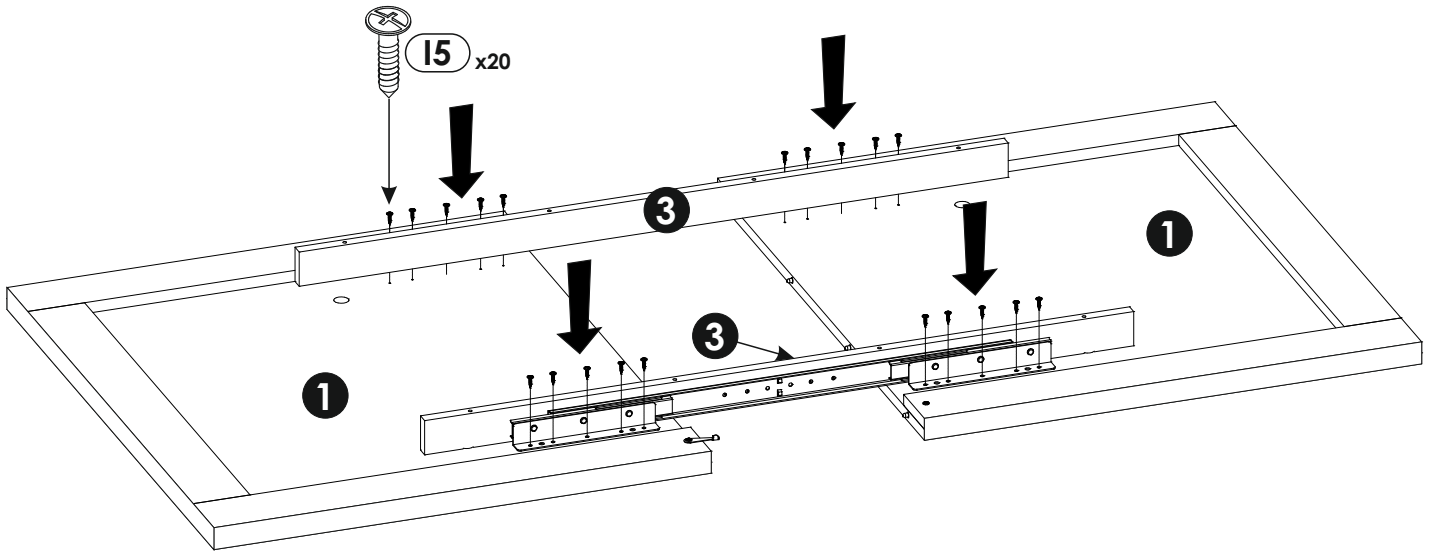
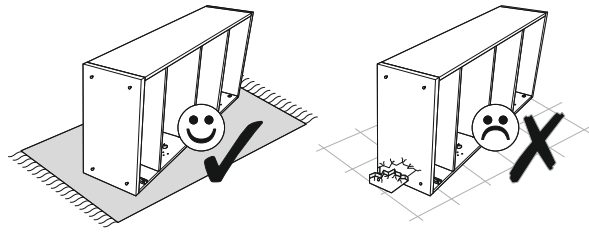
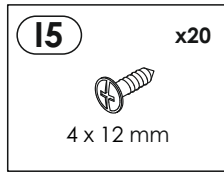


4 ▶

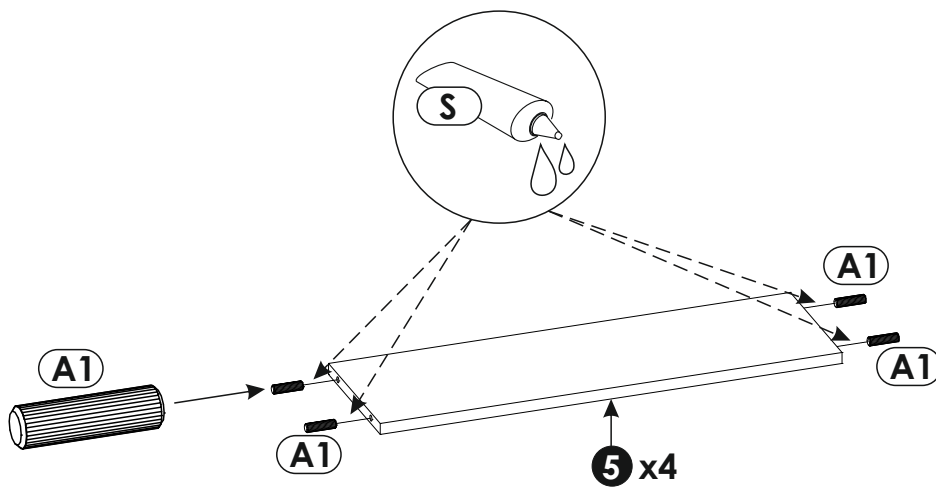
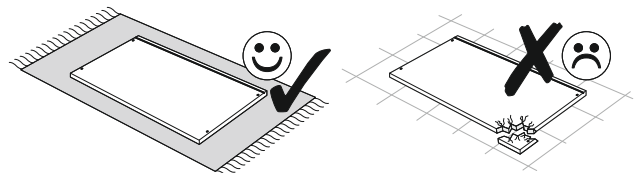
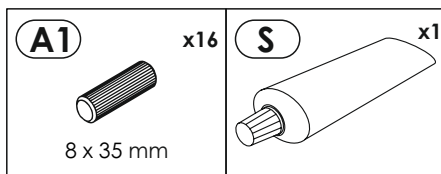
<b>I5</b> x2 4 x 12 mm	<b>O2A</b> x2 ø20	<b>R8</b> x4	<b>S19</b> x1
------------------------------	-------------------------	-----------------	------------------



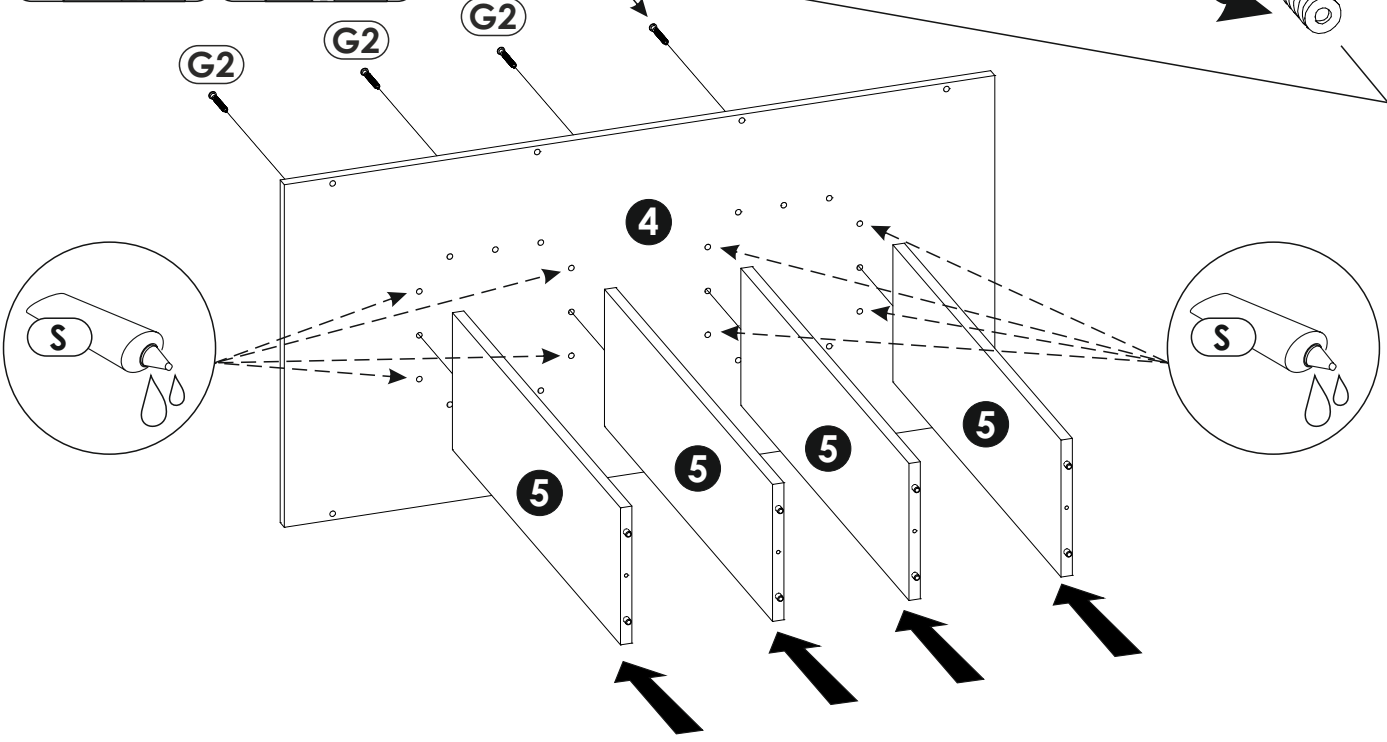
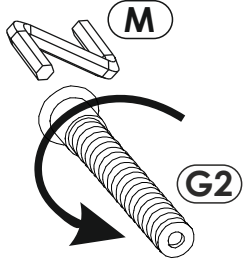
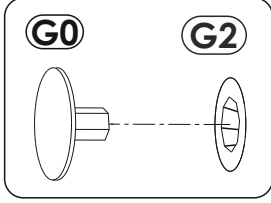
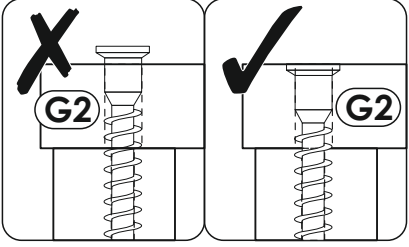
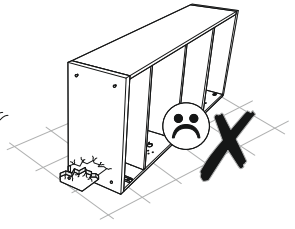
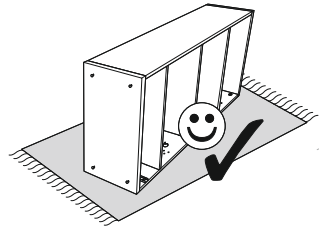
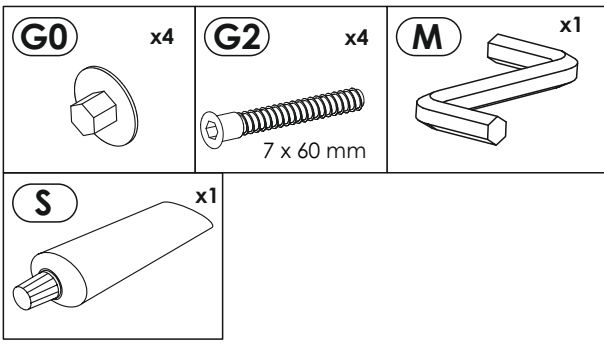
5 ▶



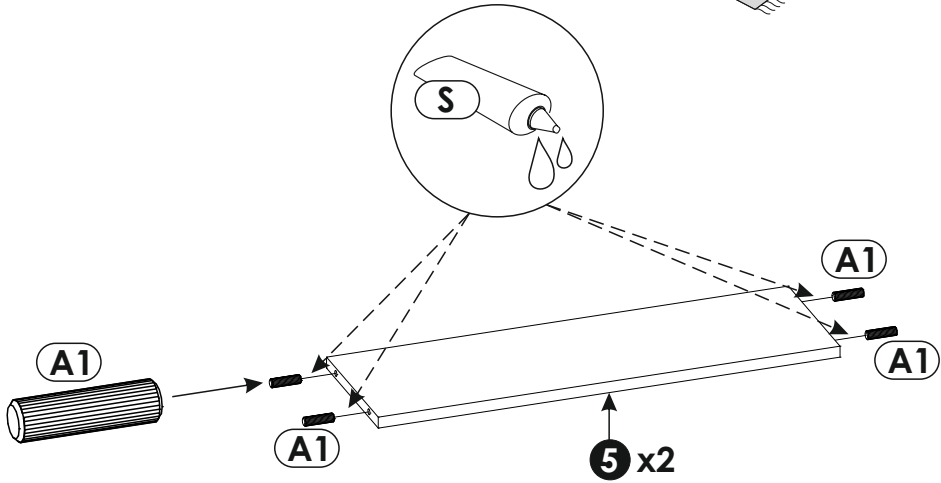
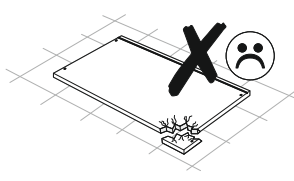
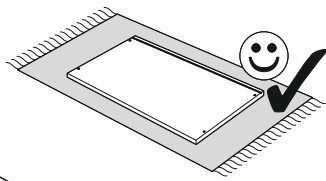
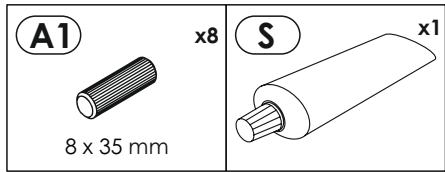
6 ▶



7 ▶

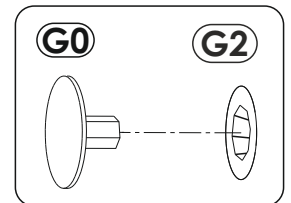
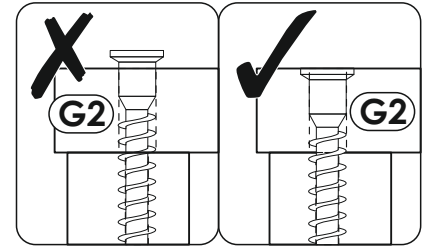
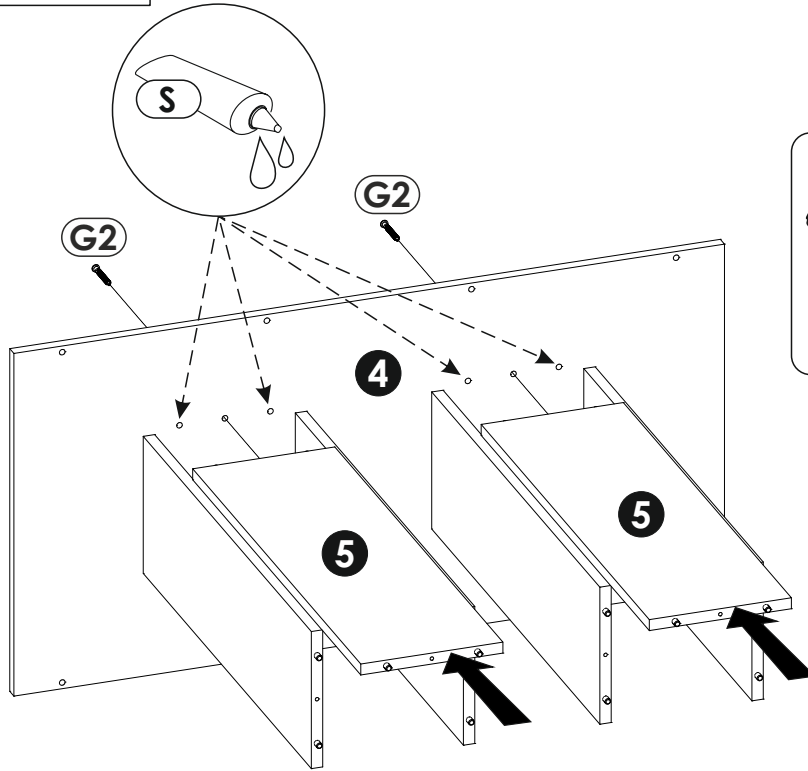
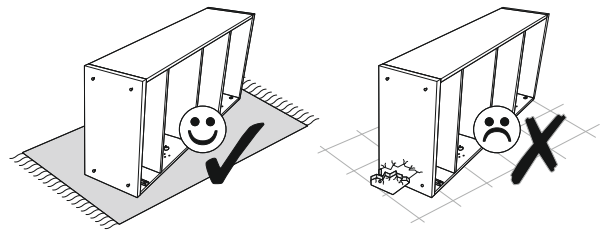
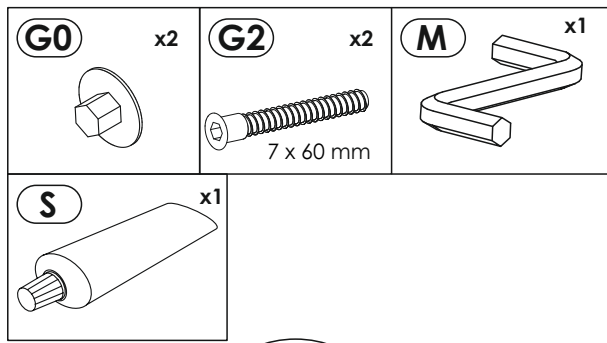


8 ▶

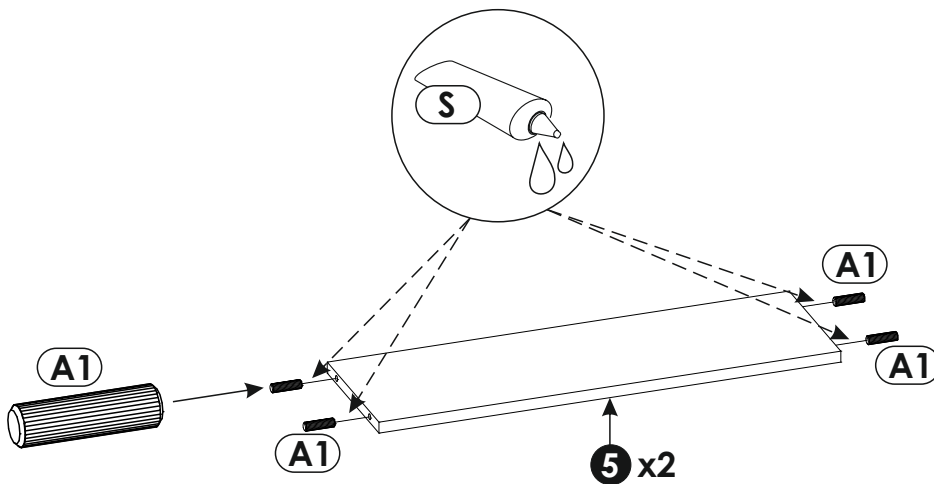
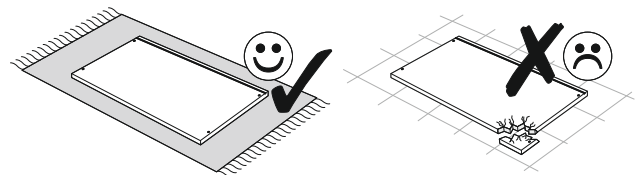
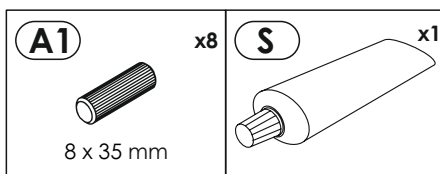




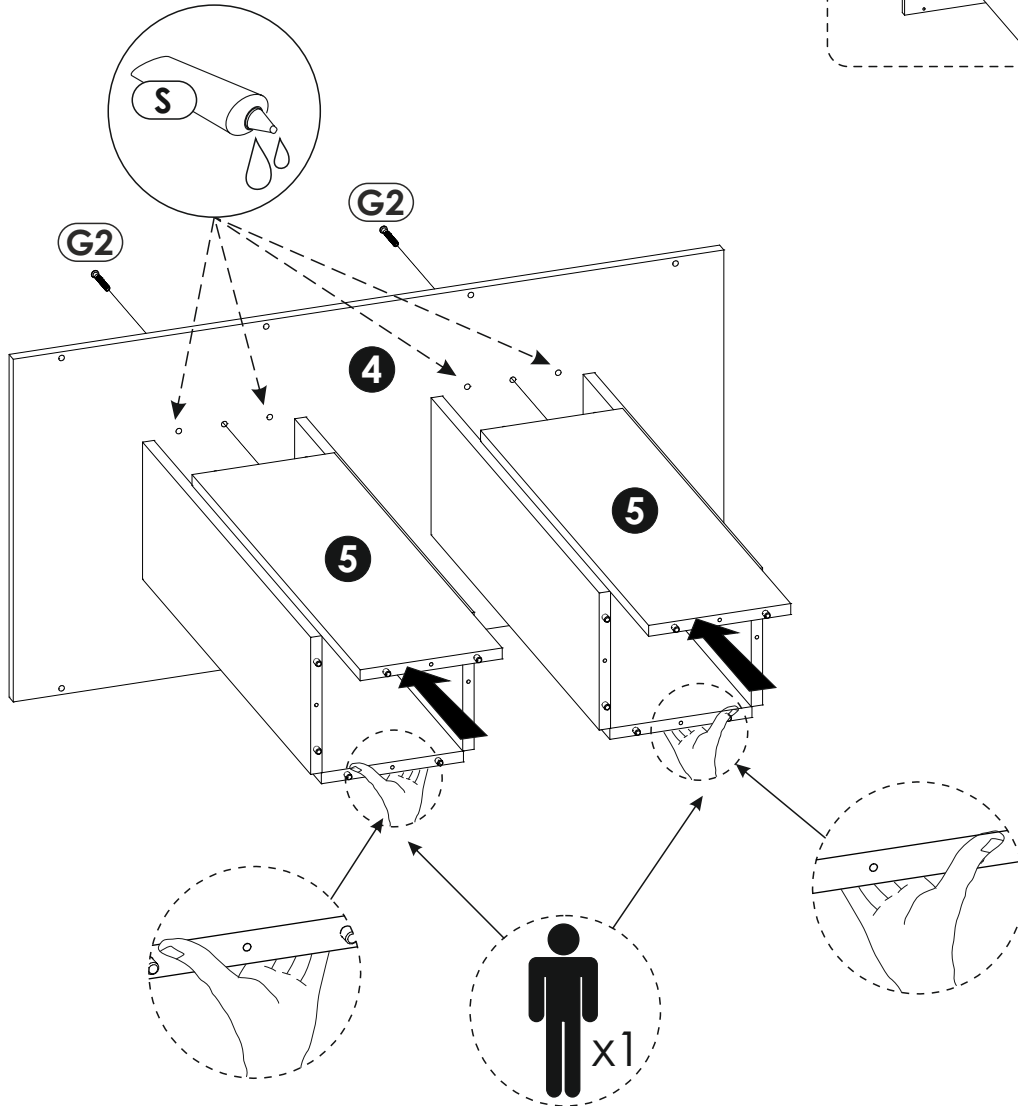
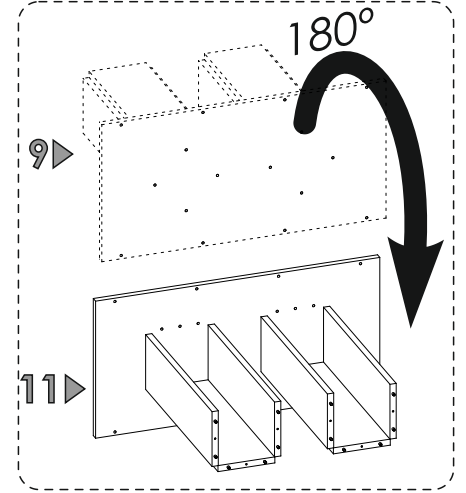
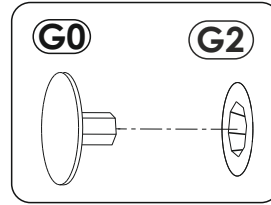
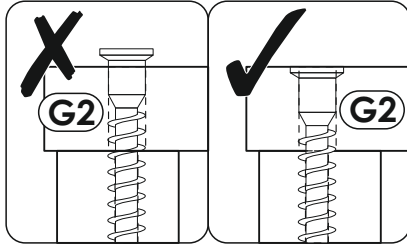
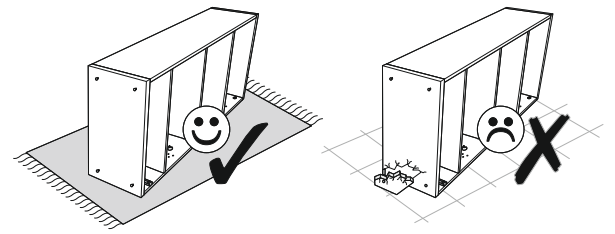
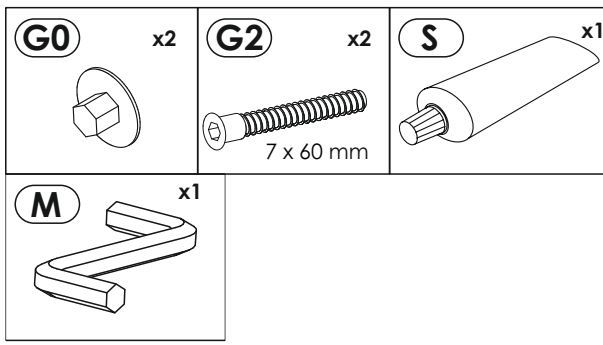
9 ▶



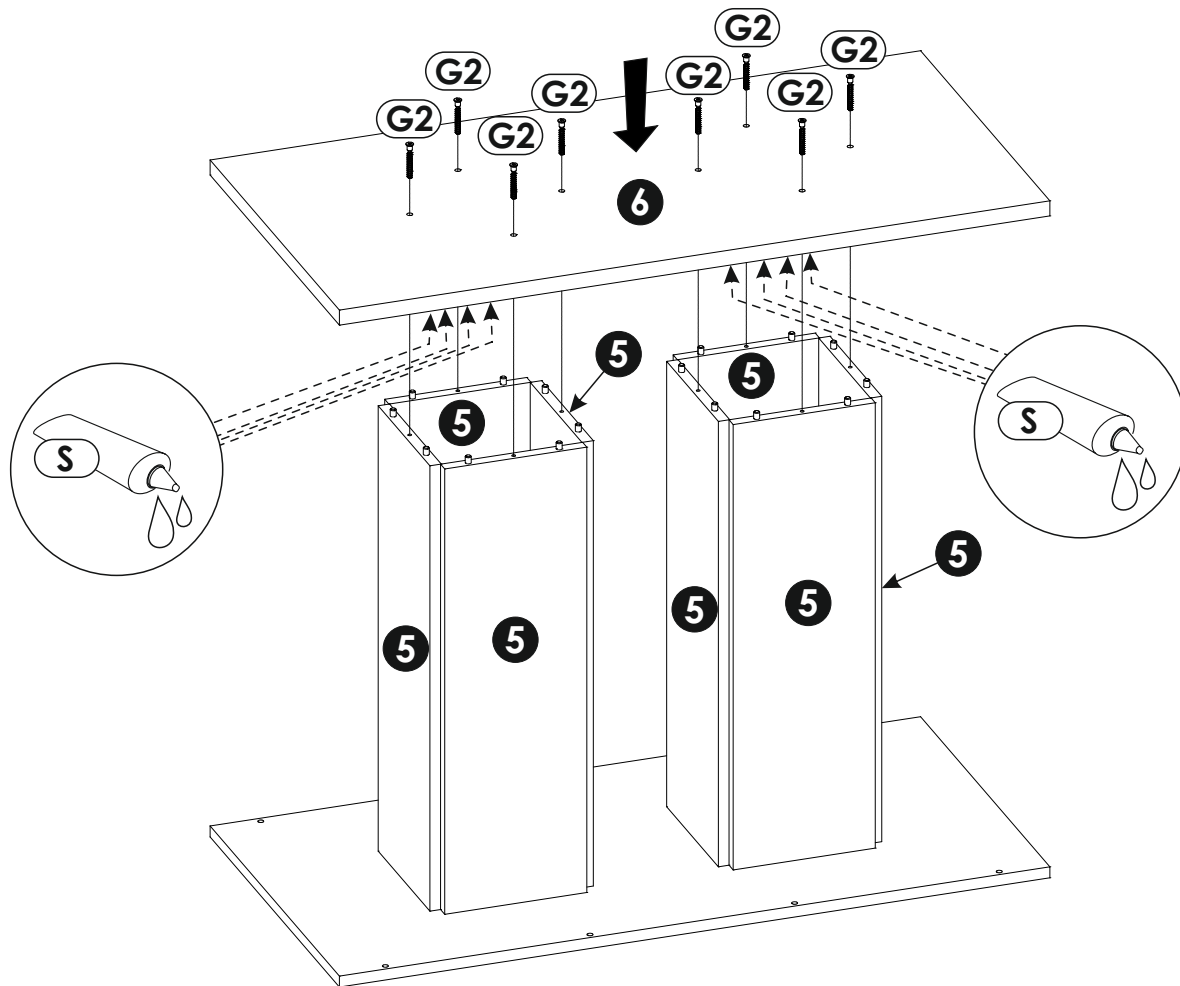
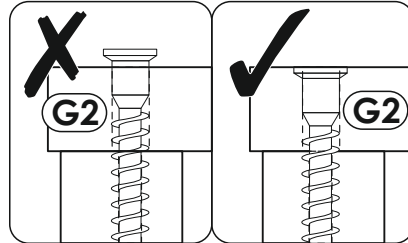
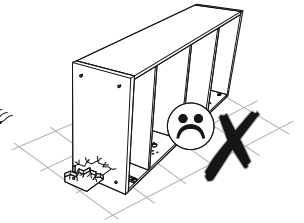
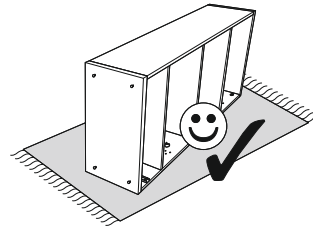
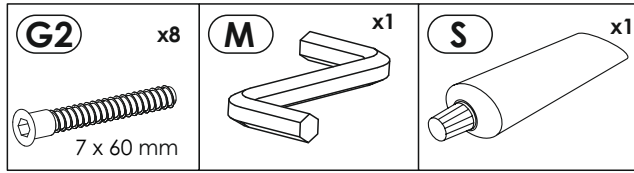
10 ▶



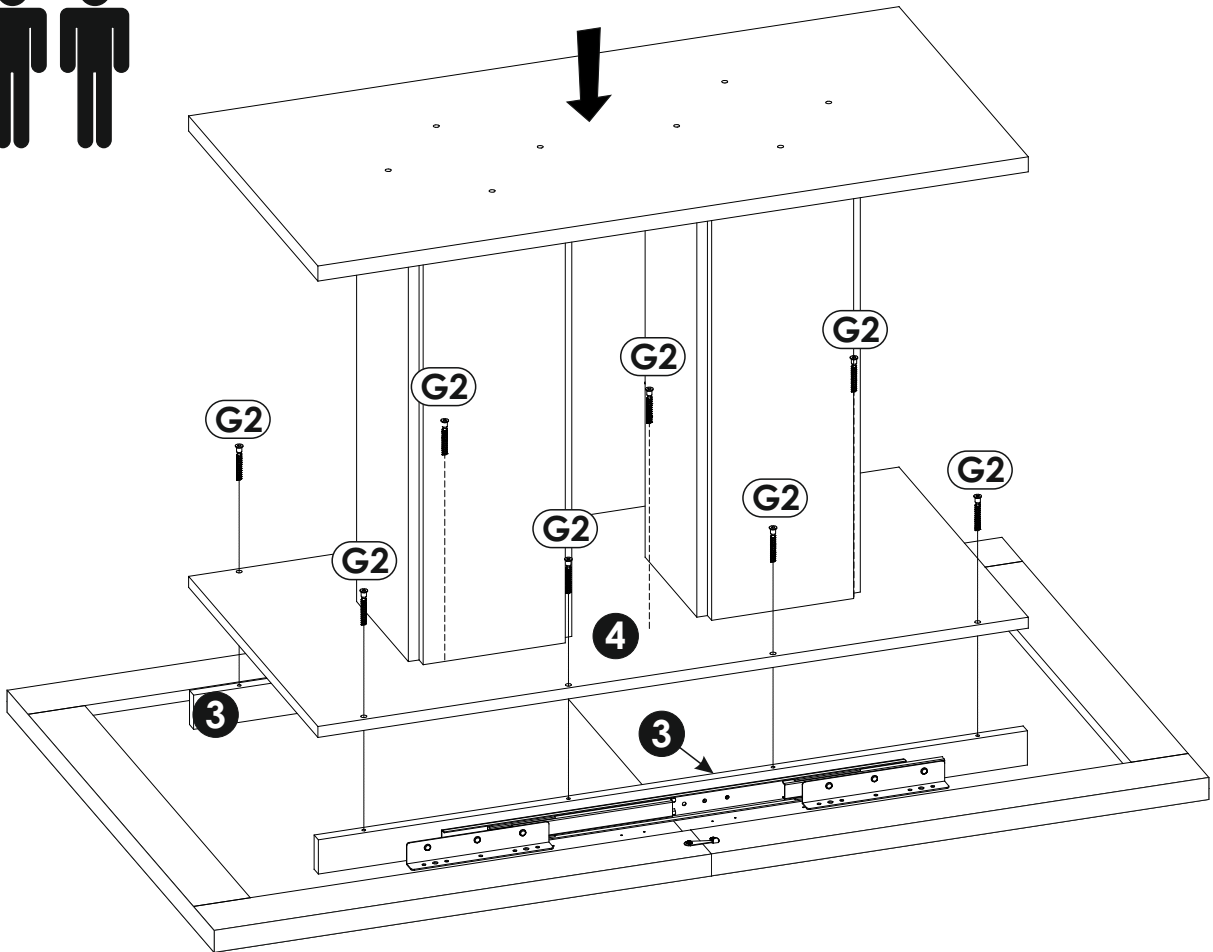
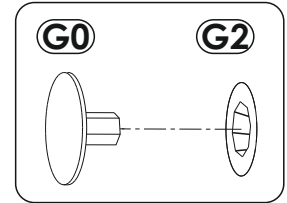
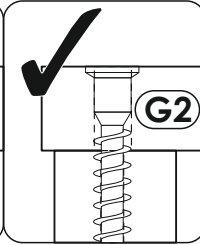
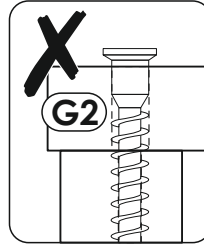
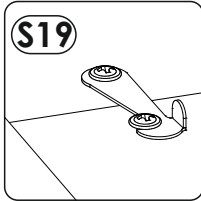
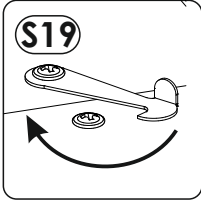
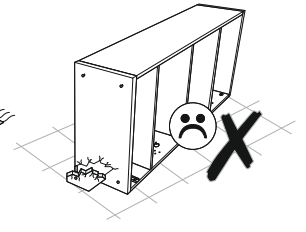
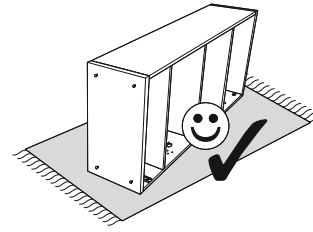
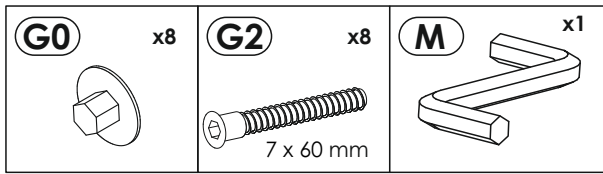
11 ▶



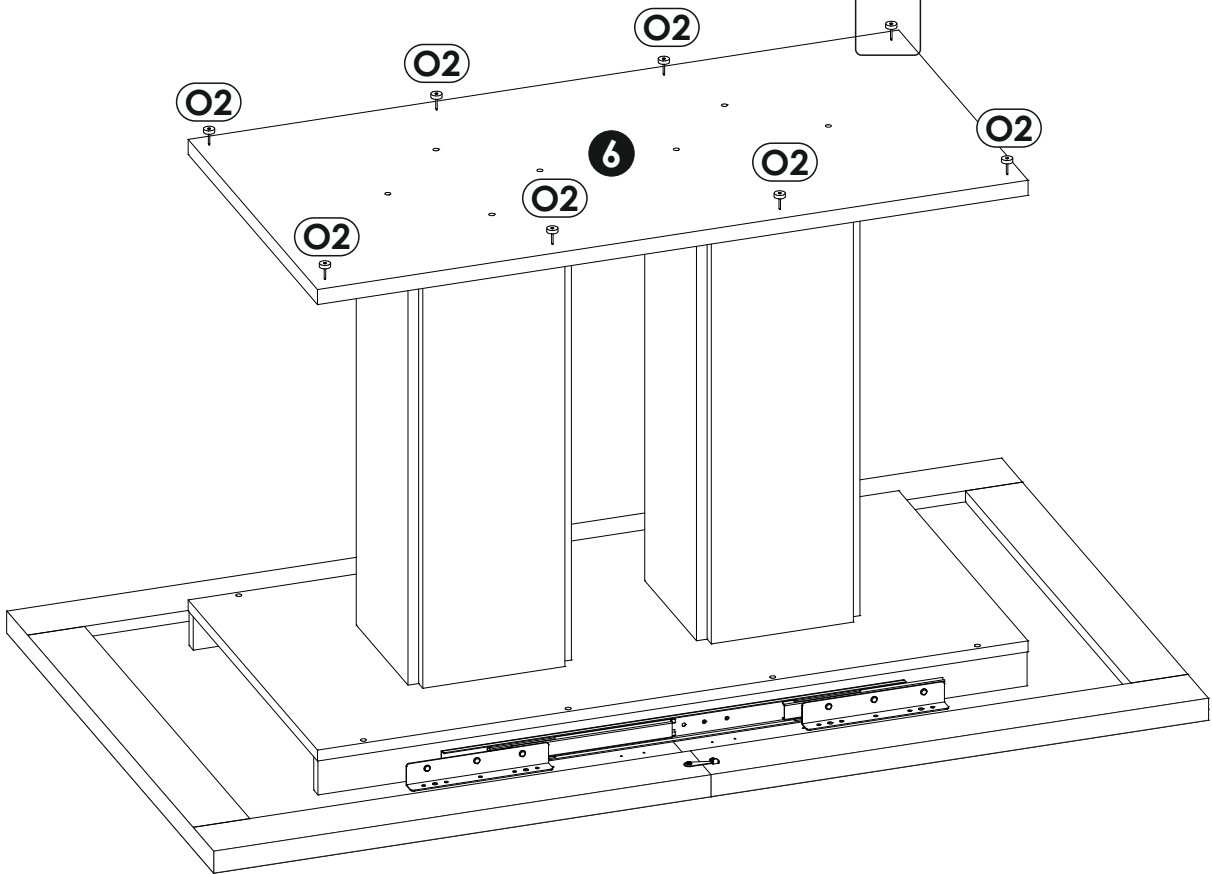
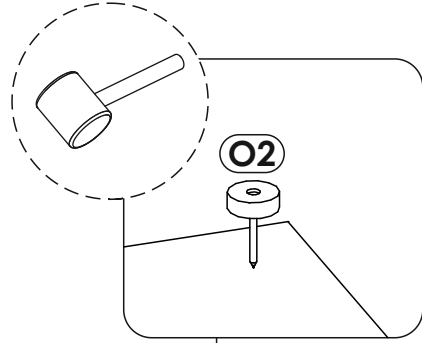
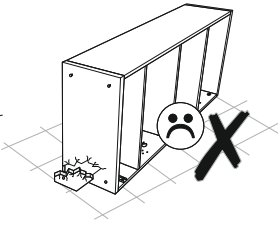
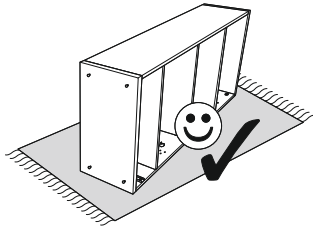
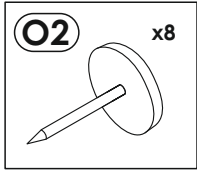
12▶







13 ▶

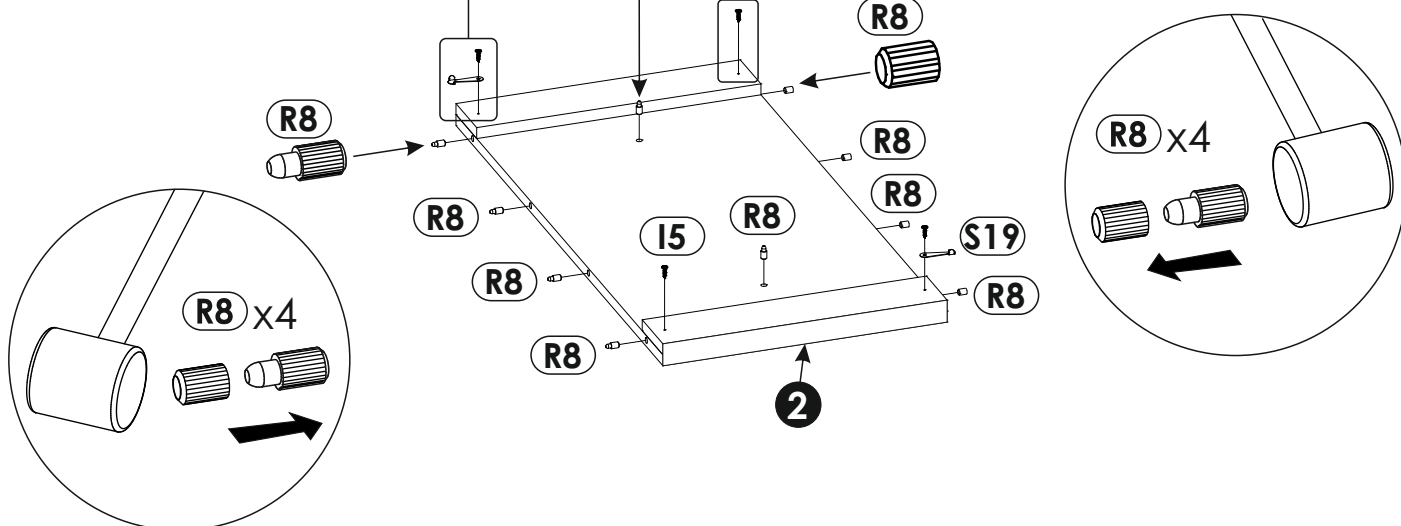
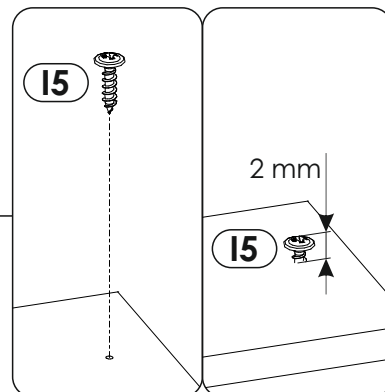
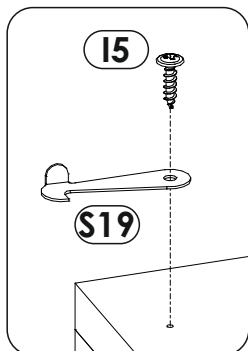
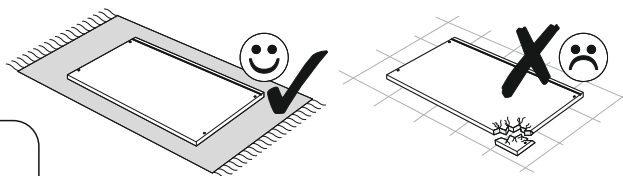


14▶




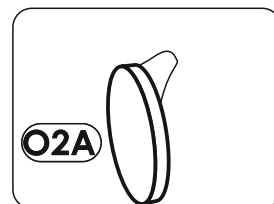
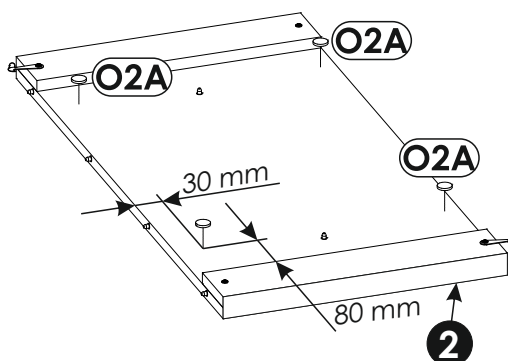
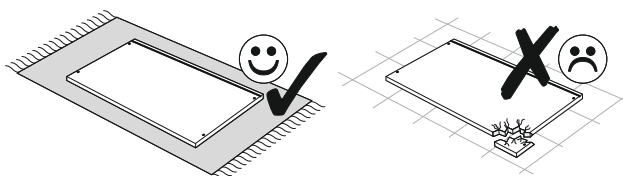
15▶

<b>I5</b> x4 4 x 12 mm 	<b>R8</b> x4 	<b>R8</b> x6 	<b>S19</b> x2 
--	---	---	--

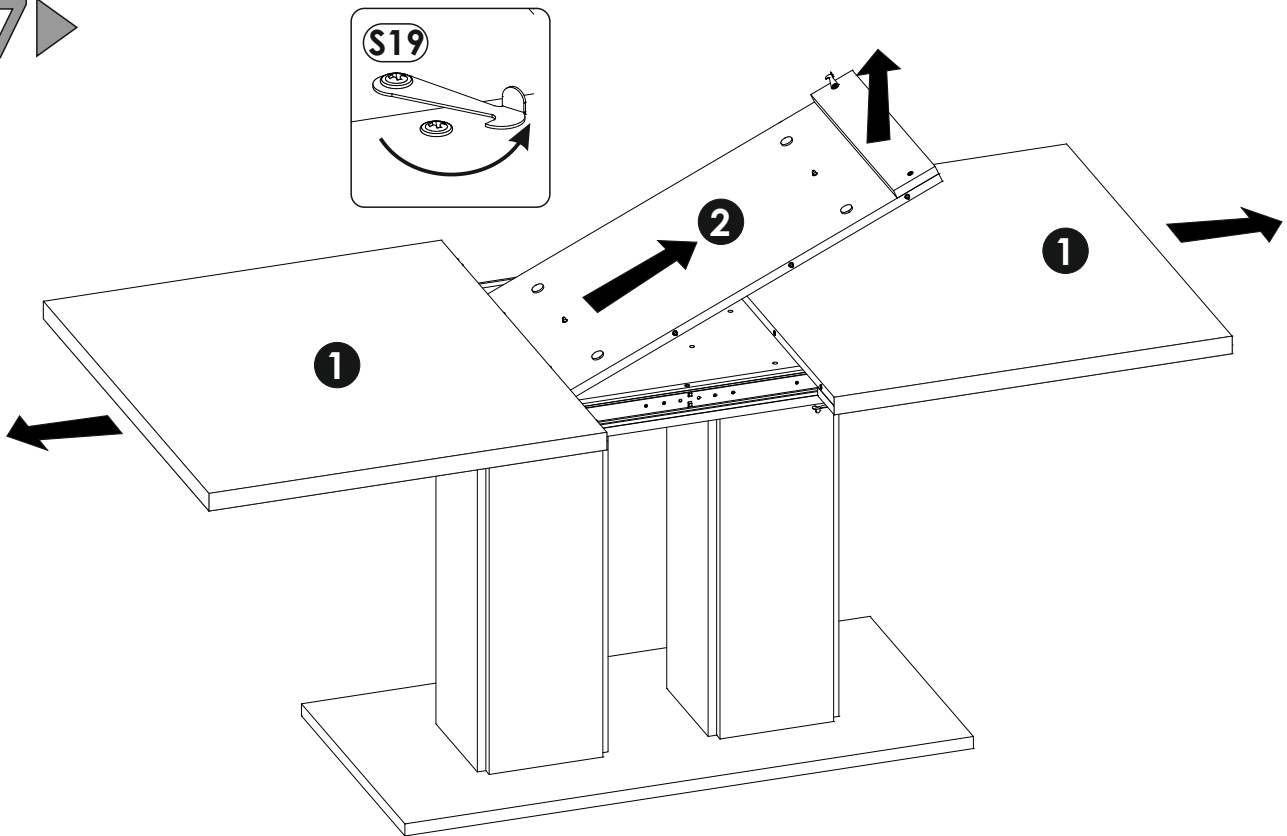


16▶

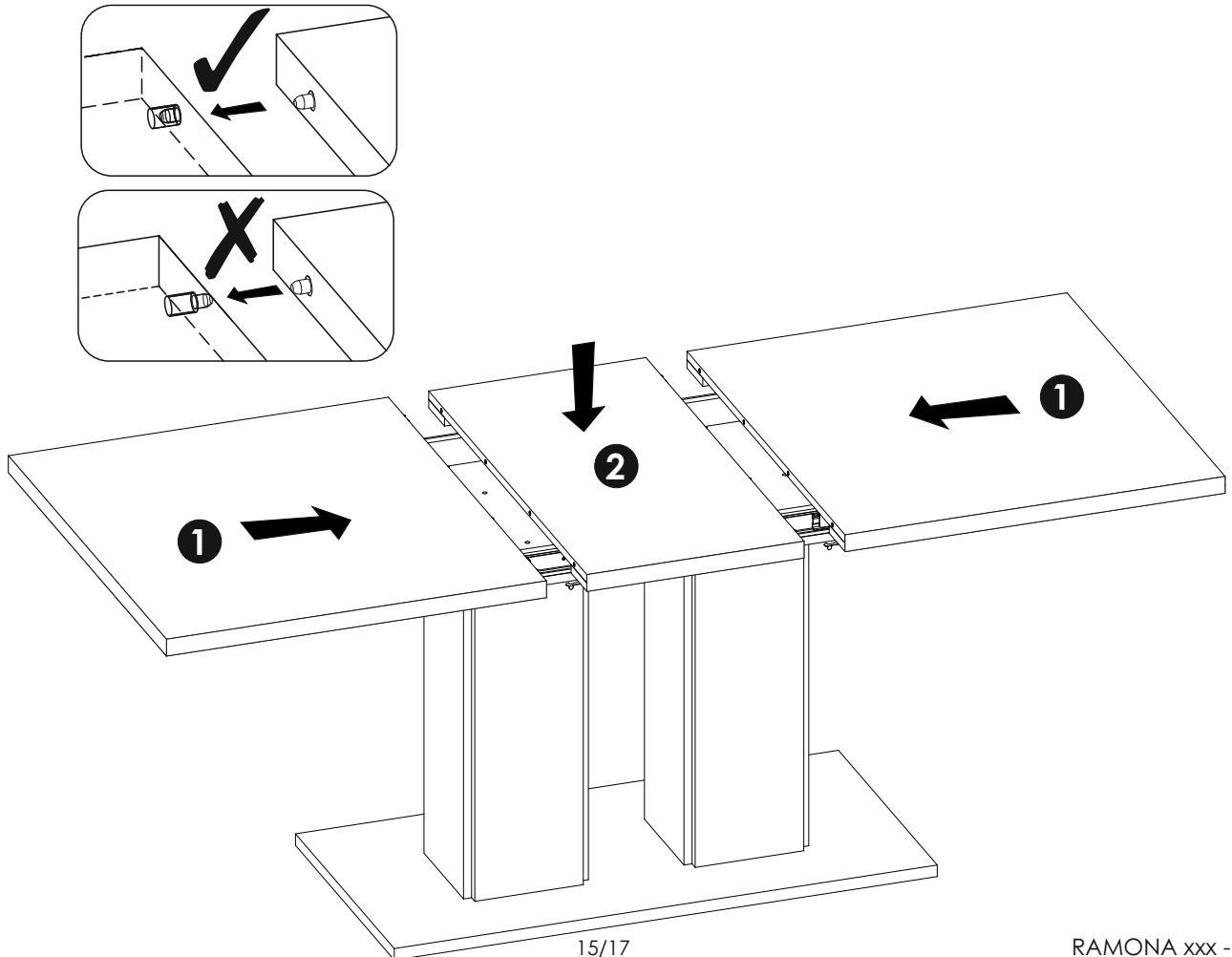
<b>O2A</b> x4 ø20 
---



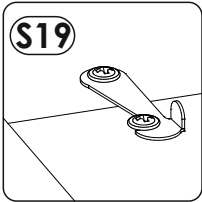
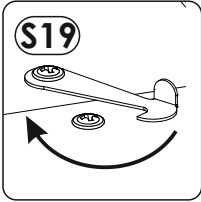
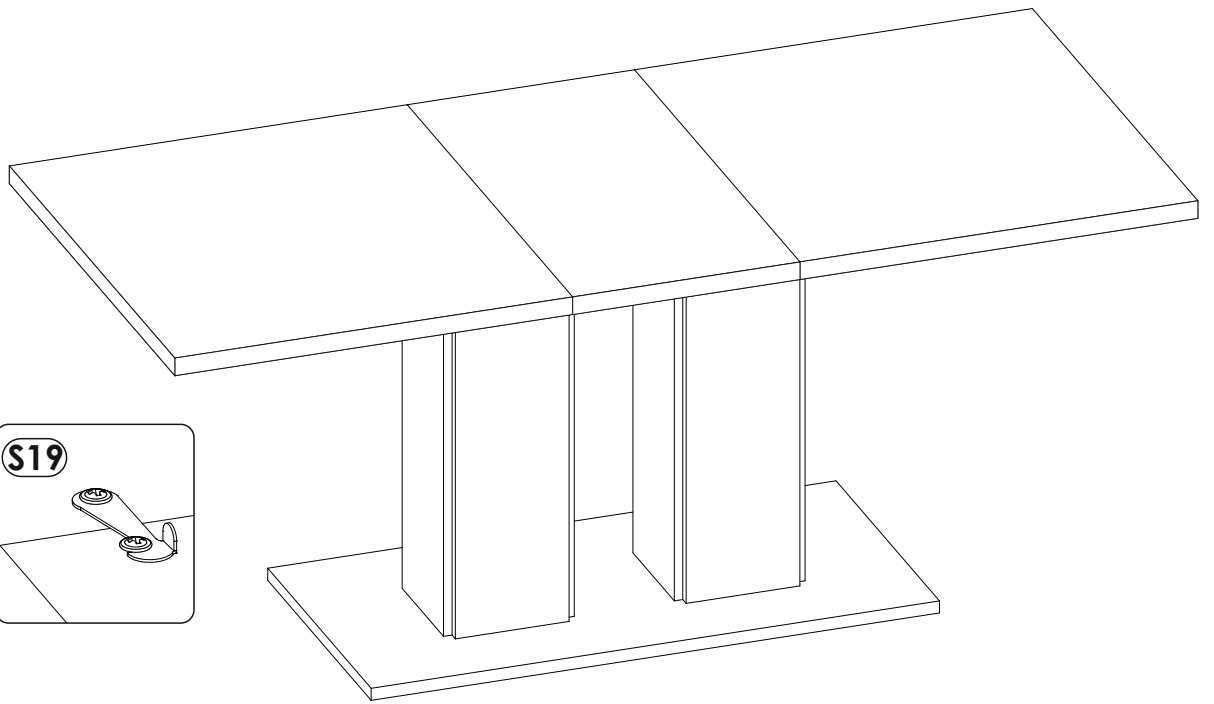
17 ▶



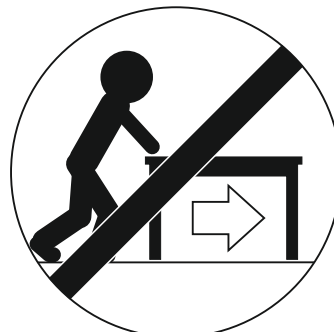
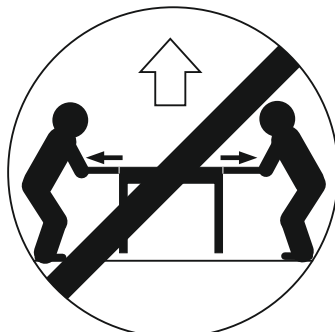
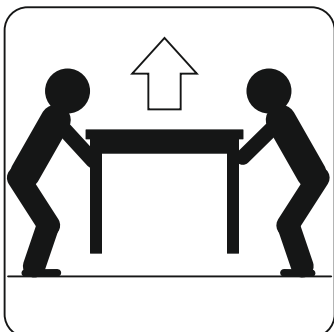
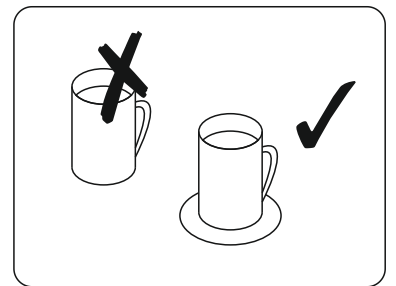
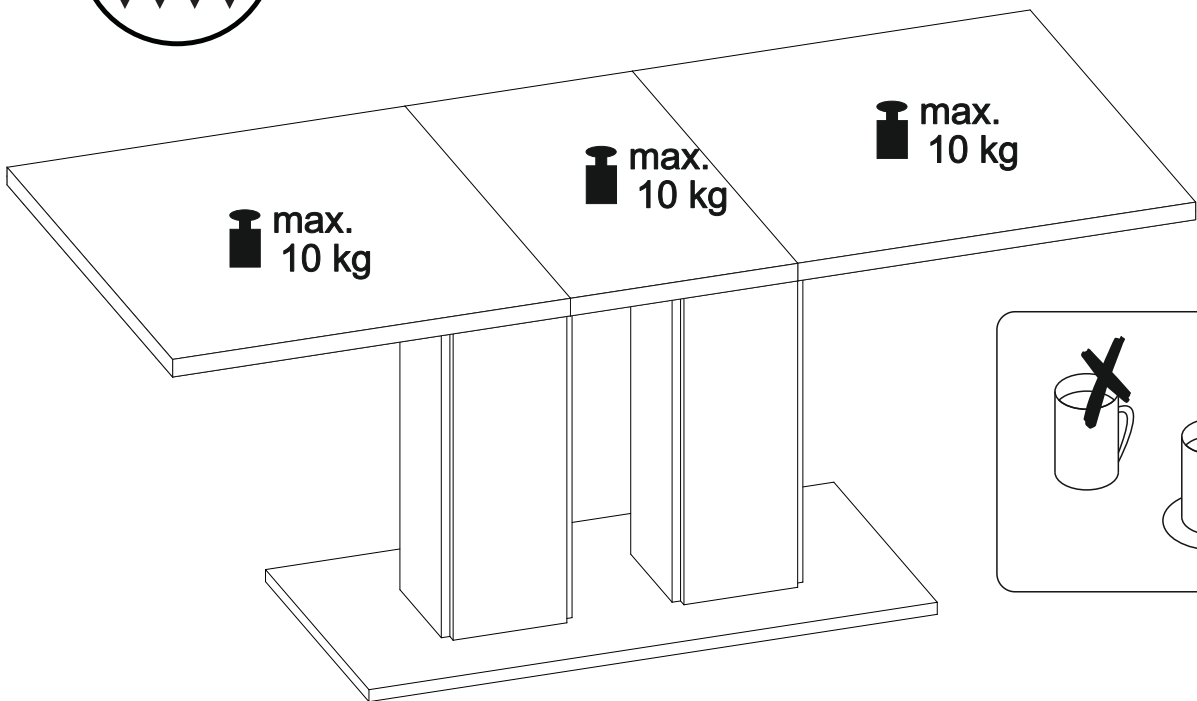
18 ▶



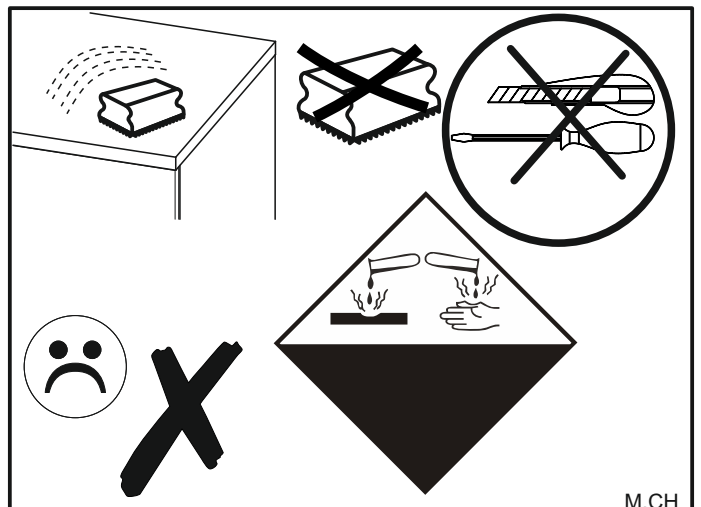
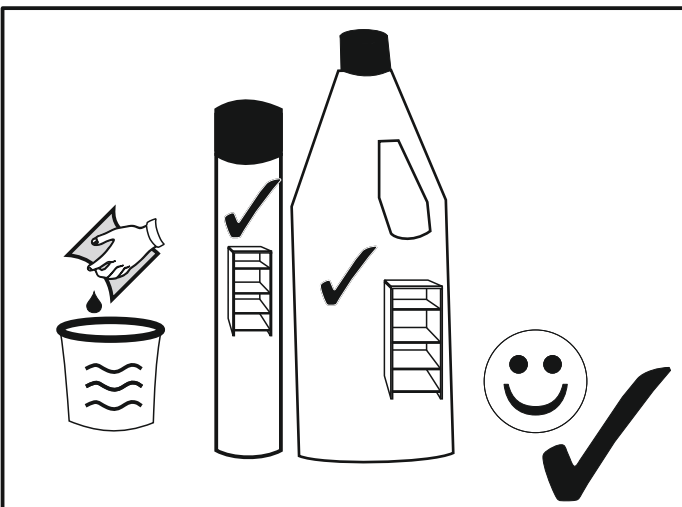
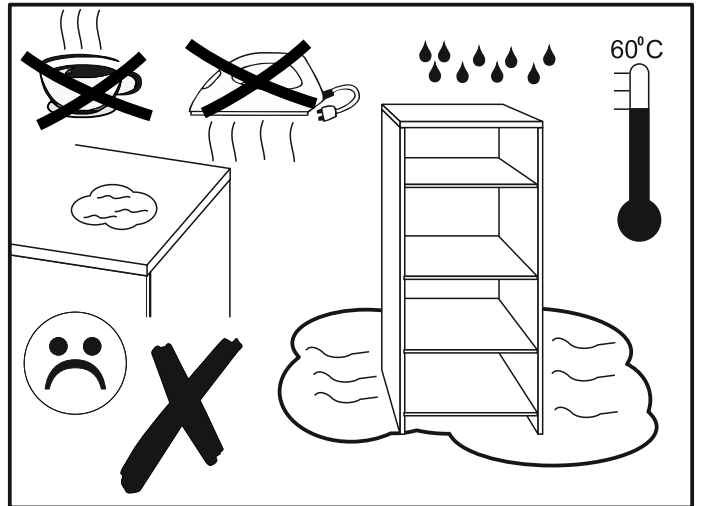
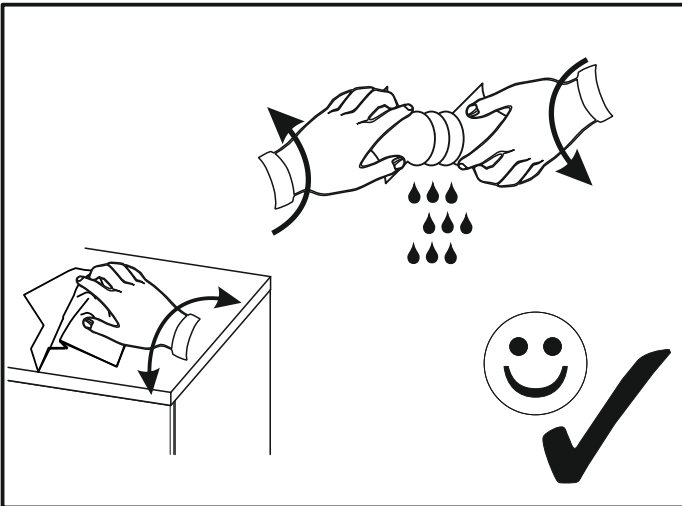
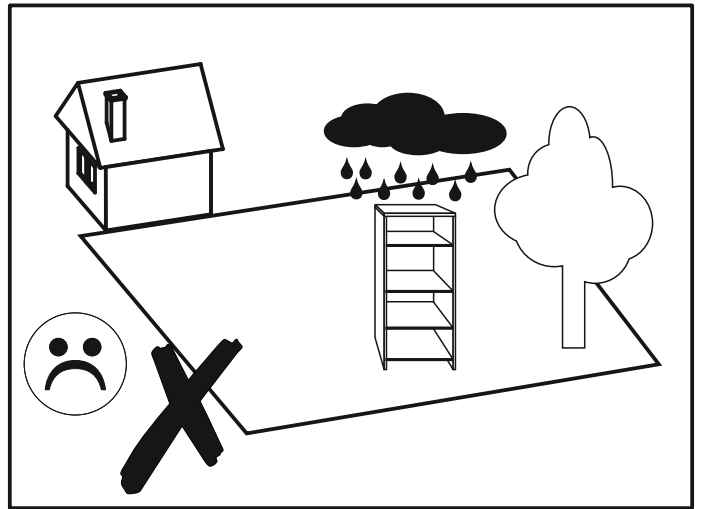
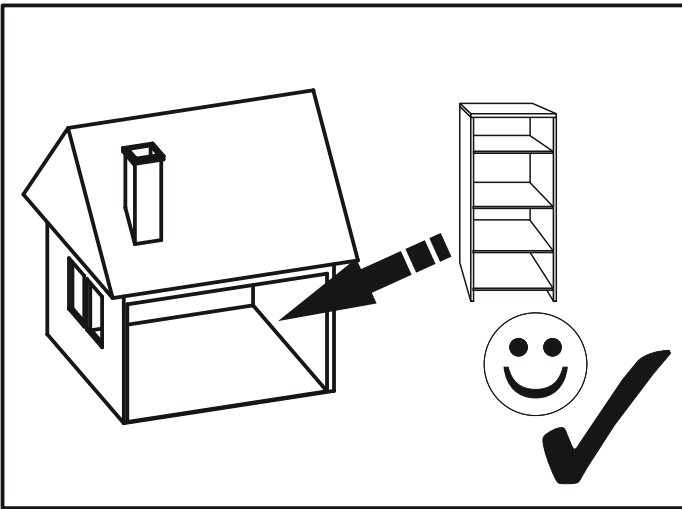
19▶



20▶







M.CH