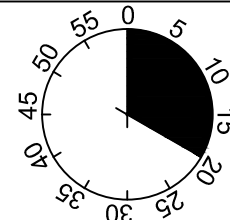
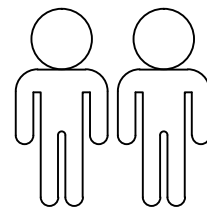
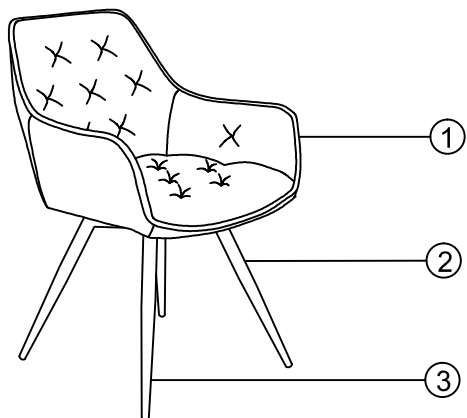


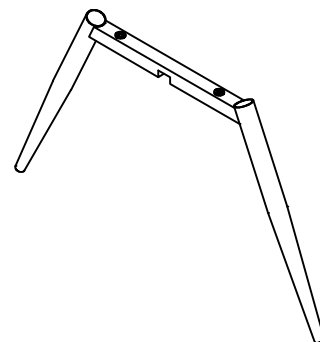
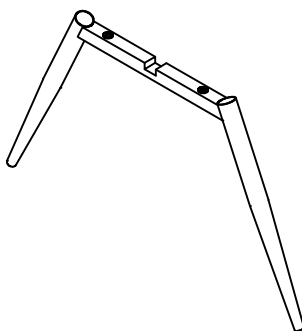
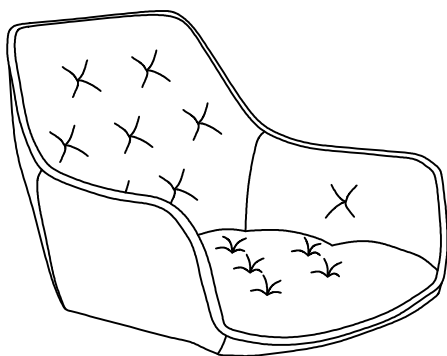
Florentina



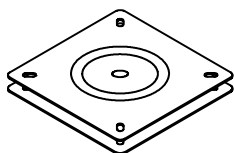
1

2

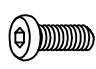

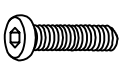


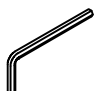
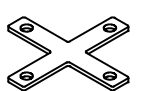
3



4

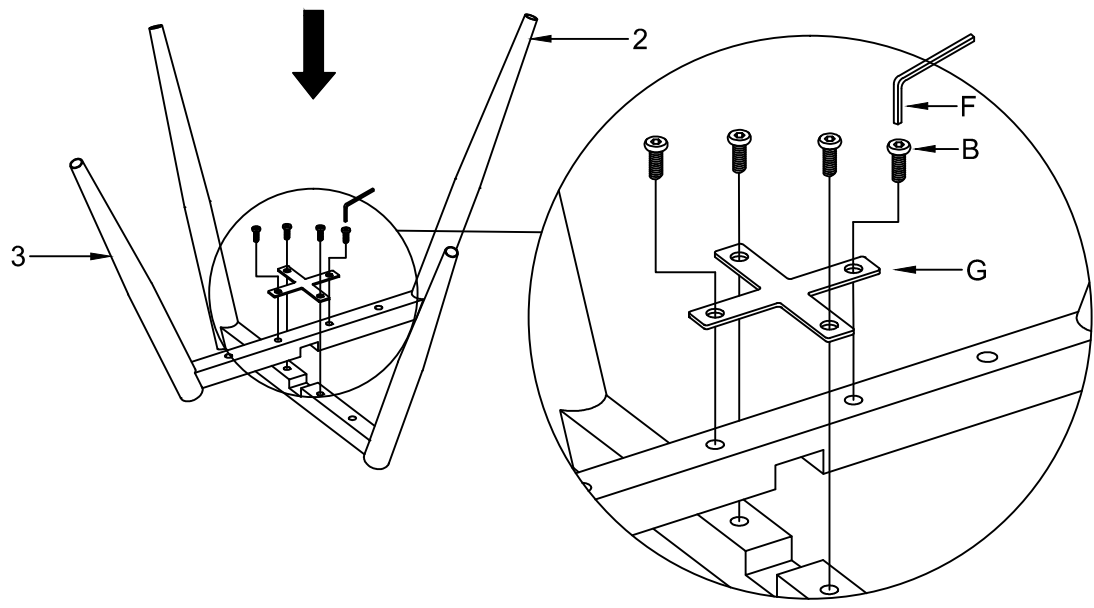


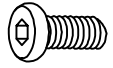
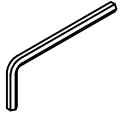
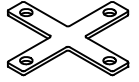

1	1 x
2	1 x
3	1 x
4	1 x

<p>A M6X20</p>  <p>6x</p>	<p>B M6x13</p>  <p>4x</p>	<p>C M6x30</p>  <p>2x</p>	<p>D Ø18xØ6x1.5</p>  <p>8x</p>	<p>E Ø18xØ8x10</p>  <p>2x</p>	<p>F 4MM</p>  <p>1x</p>
<p>G T2.0x90x90</p>  <p>1x</p>					

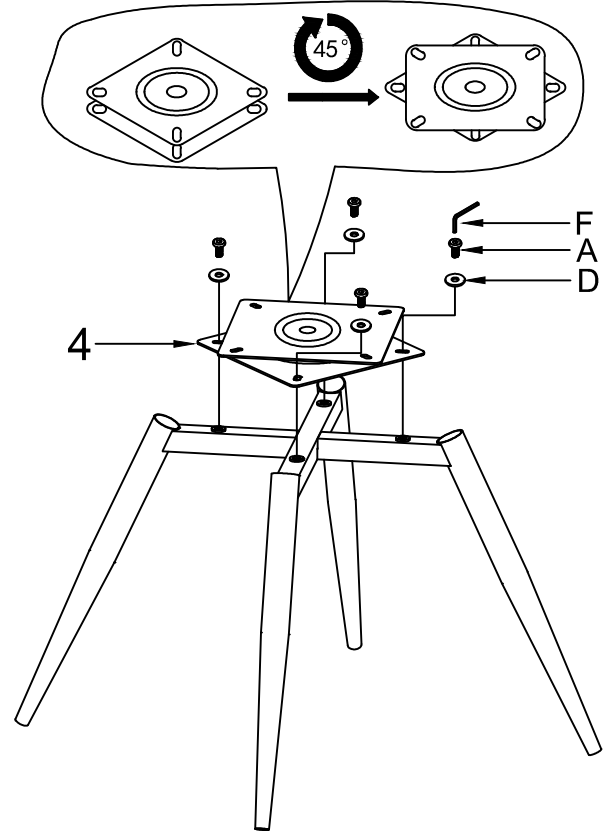
I.

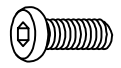

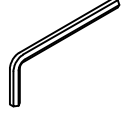

1



B	M6x13
	4x
F	4MM
	1x
G	T2.0x90x90
	1x
	

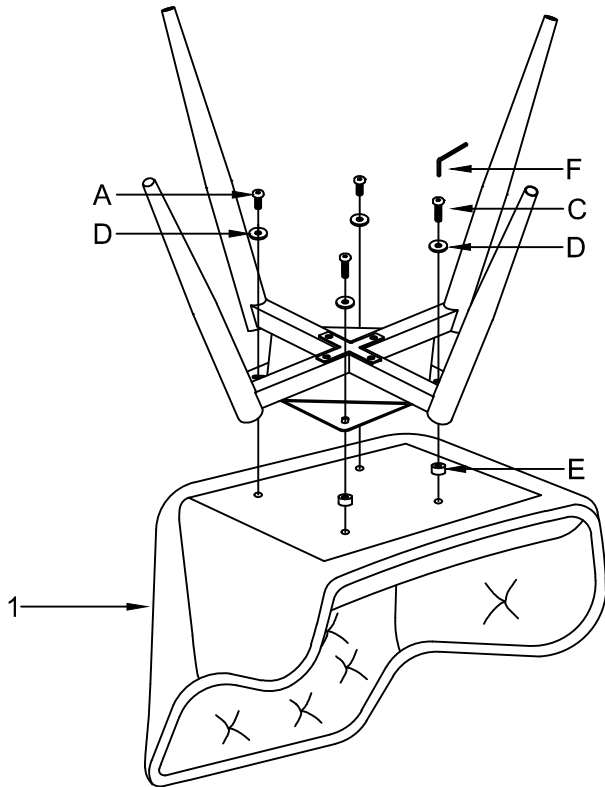
2

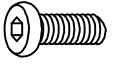







A	M6X20
	4x
D	Ø18xØ6x1.5
	4x
F	4MM
	1x
	

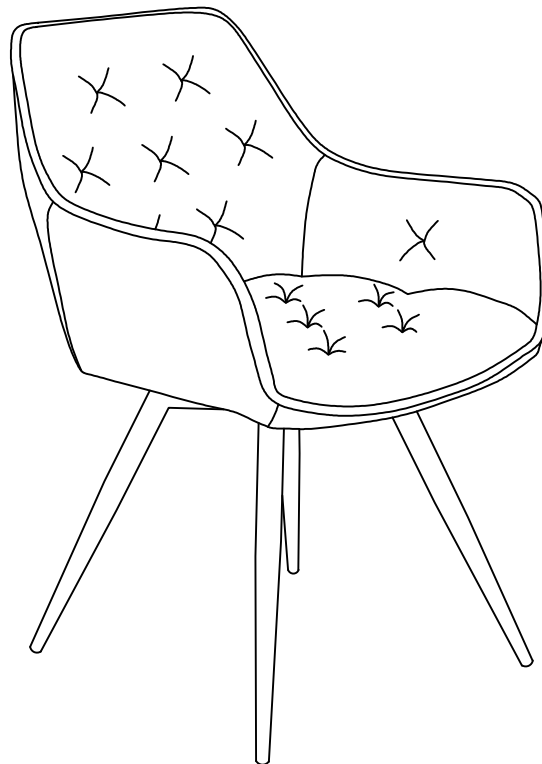
II.

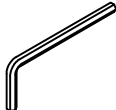
3



A	M6X20
	2x
C	M6X30
	2x
D	Ø18xØ6x1.5
	4x
E	Ø18xØ8x10
	2x
F	4MM
	1x
	

4



F	4MM
	1x
