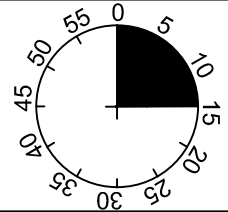
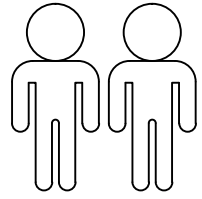
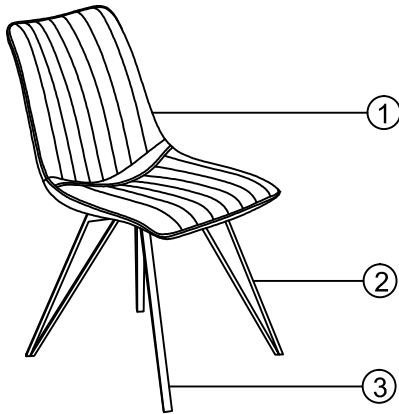


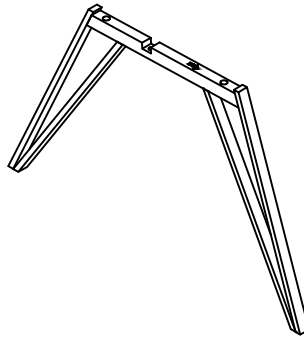
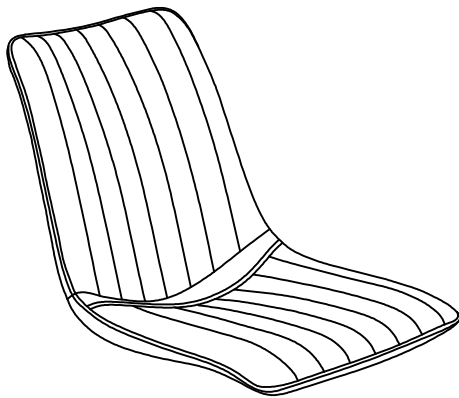
# Marie



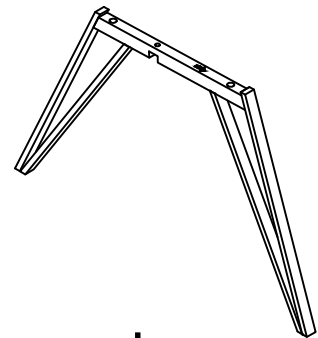
1

2

3


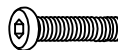



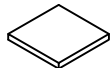
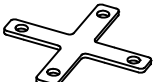
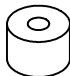
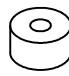


R



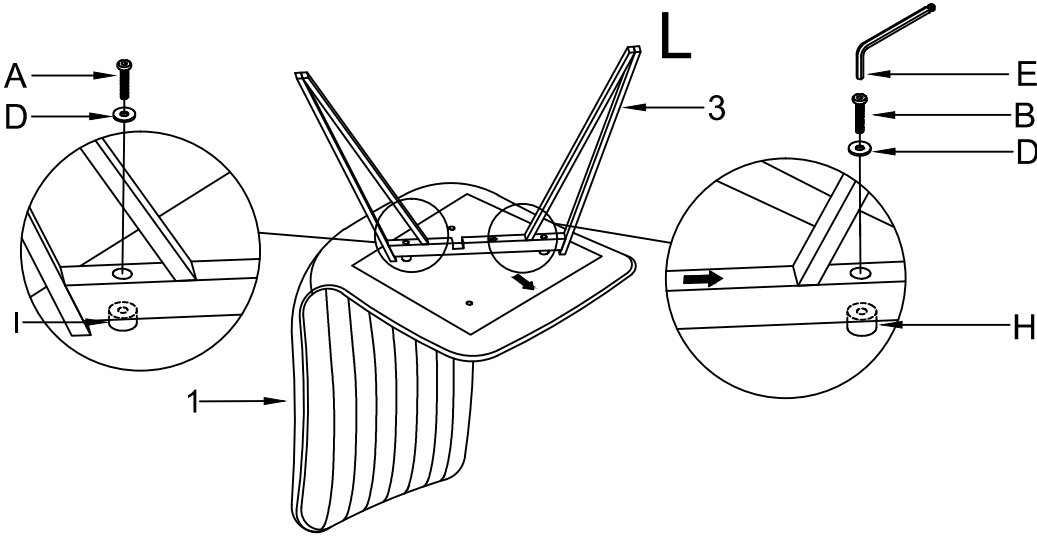
L

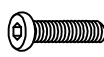






1	1 x
2	1 x
3	1 x

A	M6X50	B	M6X55	C	M6x13	D	Ø18xØ6x1.5	E	4MM	F	22x23x2
											
2x		2x		4x		4x		1x		4x	
G	T2.0x90x90	H	Ø22xØ8x15	I	Ø22xØ8x12						
											
1x		2x		2x							

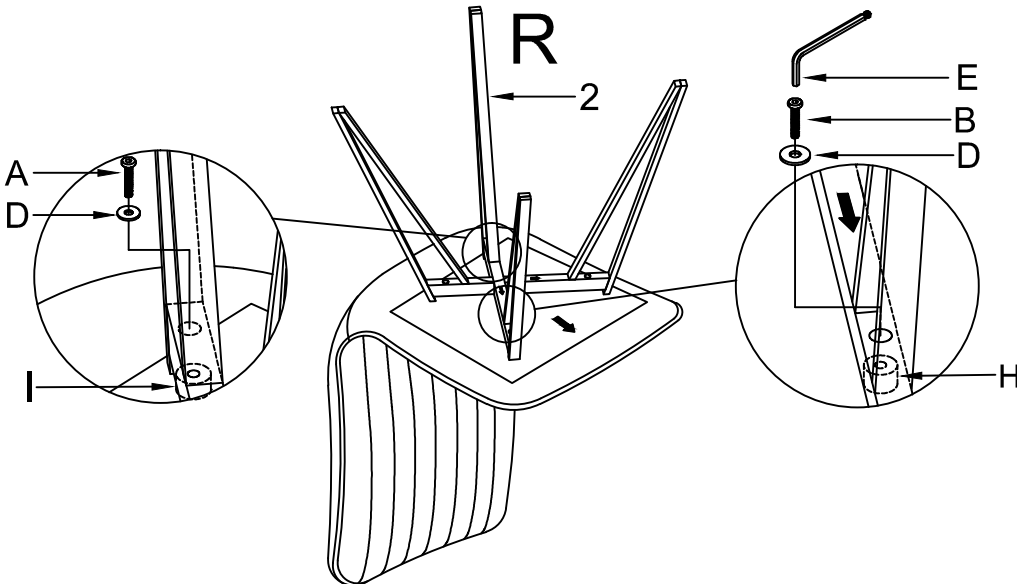
# I.


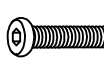


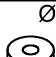


1



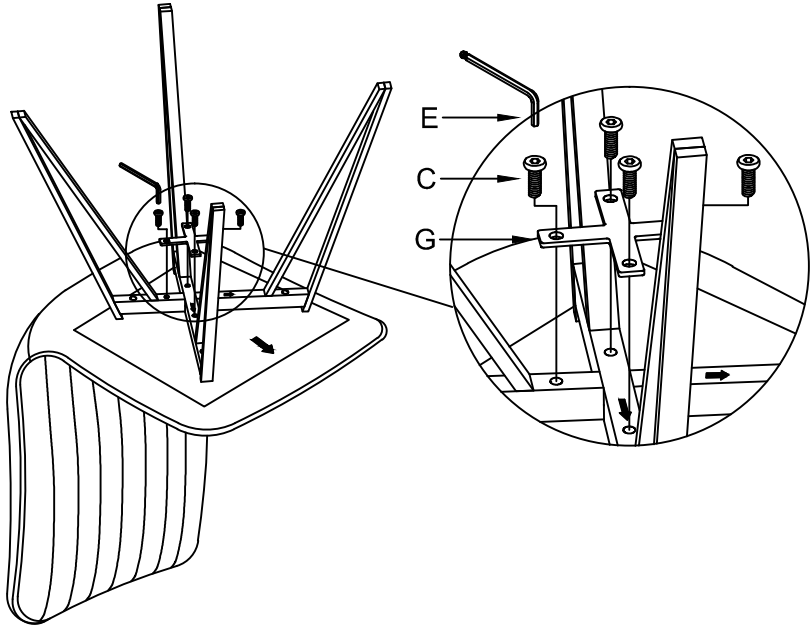
A		M6x50	1x
B		M6x55	1x
D		Ø18xØ6x1.5	2x
H		Ø22xØ8x15	1x
I		Ø22xØ8x12	1x
E		4MM	1x
			



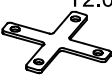

2



A		M6x50	1x
B		M6x55	1x
D		Ø18xØ6x1.5	2x
H		Ø22xØ8x15	1x
I		Ø22xØ8x12	1x
E		4MM	1x
			

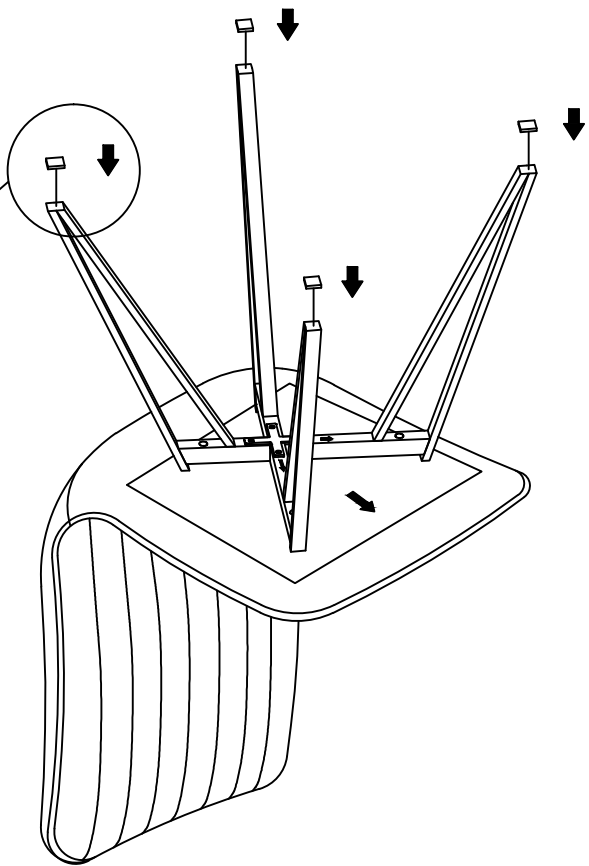
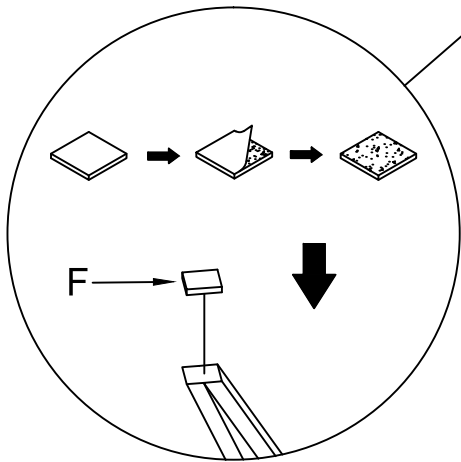
3

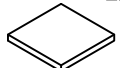



C		M6x13	4x
E		4MM	1x
G		T2.0x90x90	1x
			

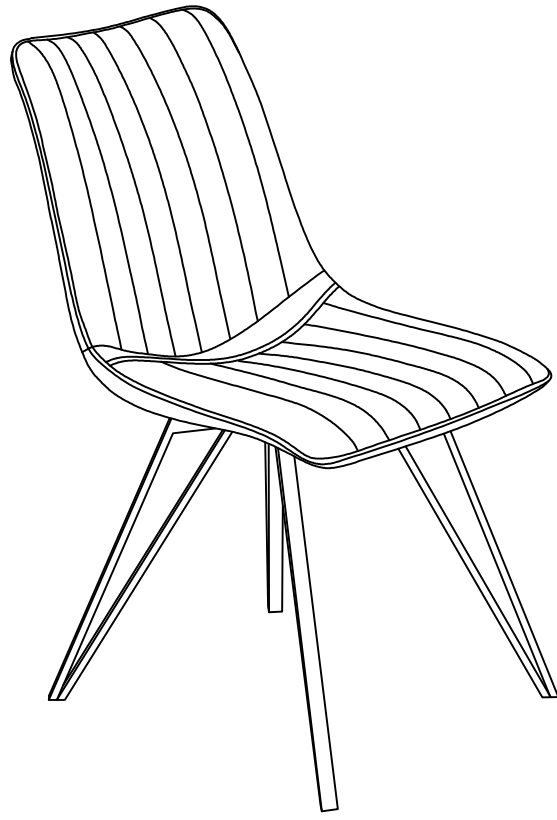
II.


4



F		22x23x2
		4x
		

5



E		4MM
		1x
