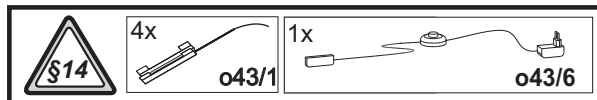
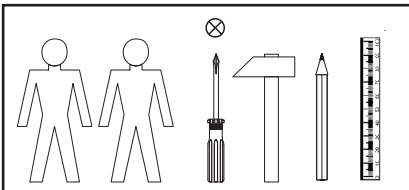
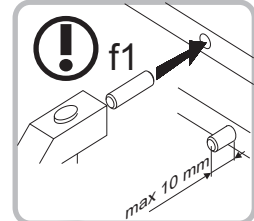
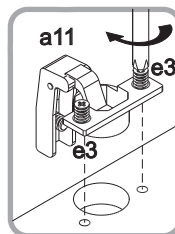
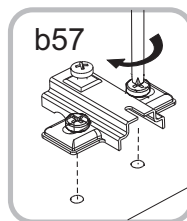
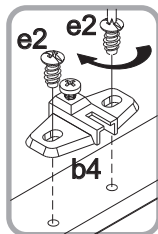
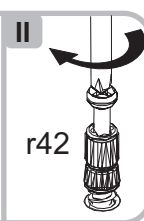
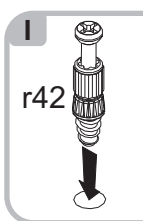
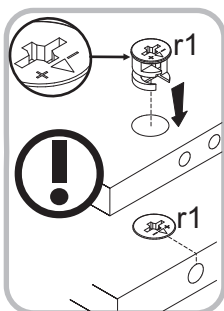
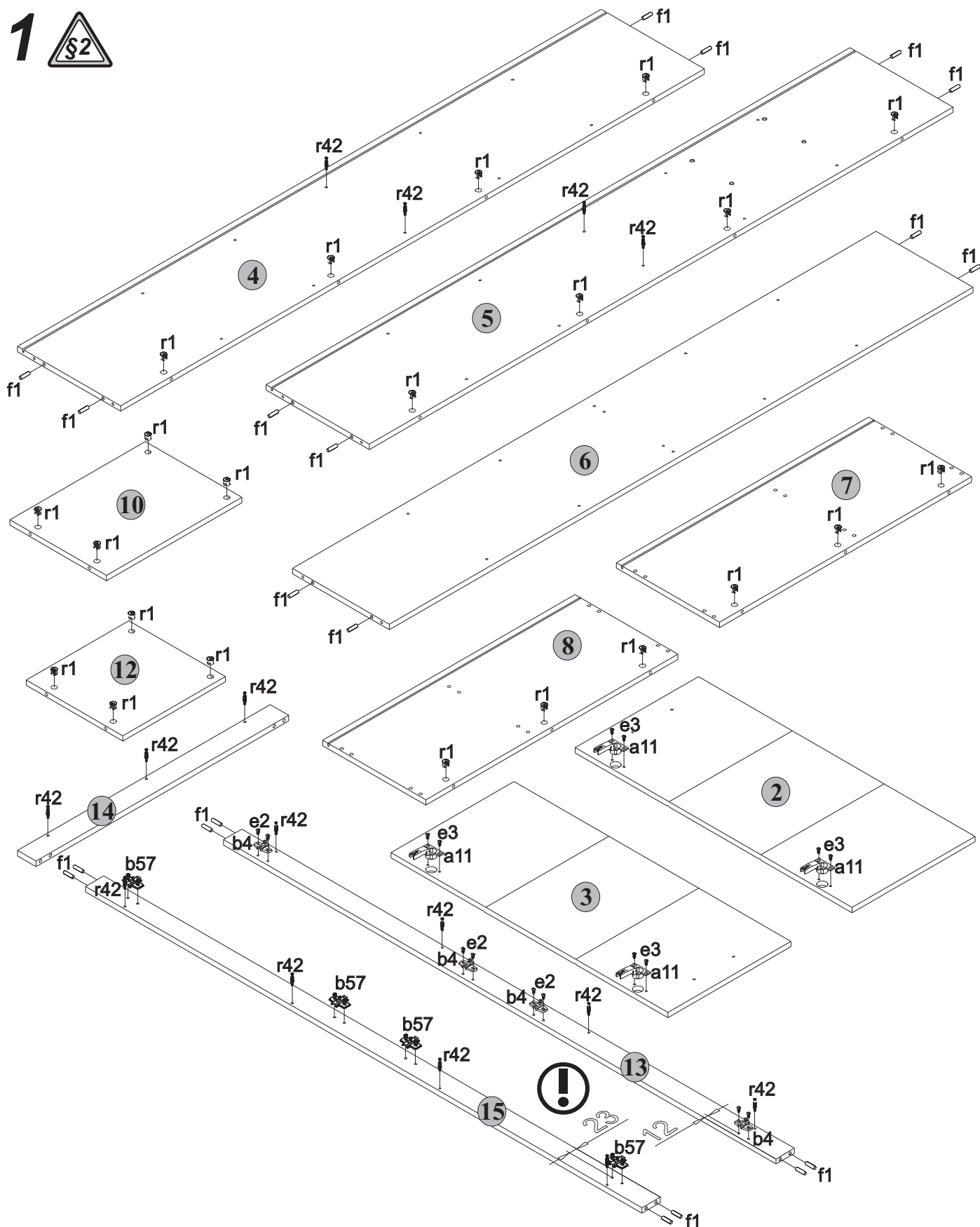


A	B	C	D
1	S300-001	900x292	1/2
2	S300-002	900x400	2/2
3	S300-003	900x400	2/2
4	S300-101	1898x335	2/2
5	S300-123	1898x335	2/2
6	S300-103	1898x315	2/2
7	S300-201	820x335	1/2
8	S300-202	820x335	1/2
9	S300-301	333x307	1/2
10	S300-302	440x314	1/2
11	S300-303	439x312	1/2
12	S300-304	334x314	1/2
13	S300-532	1809x60	2/2
14	S300-529	821x60	2/2
15	S300-533	1809x60	2/2
16	S300-901	1912x803	2/2

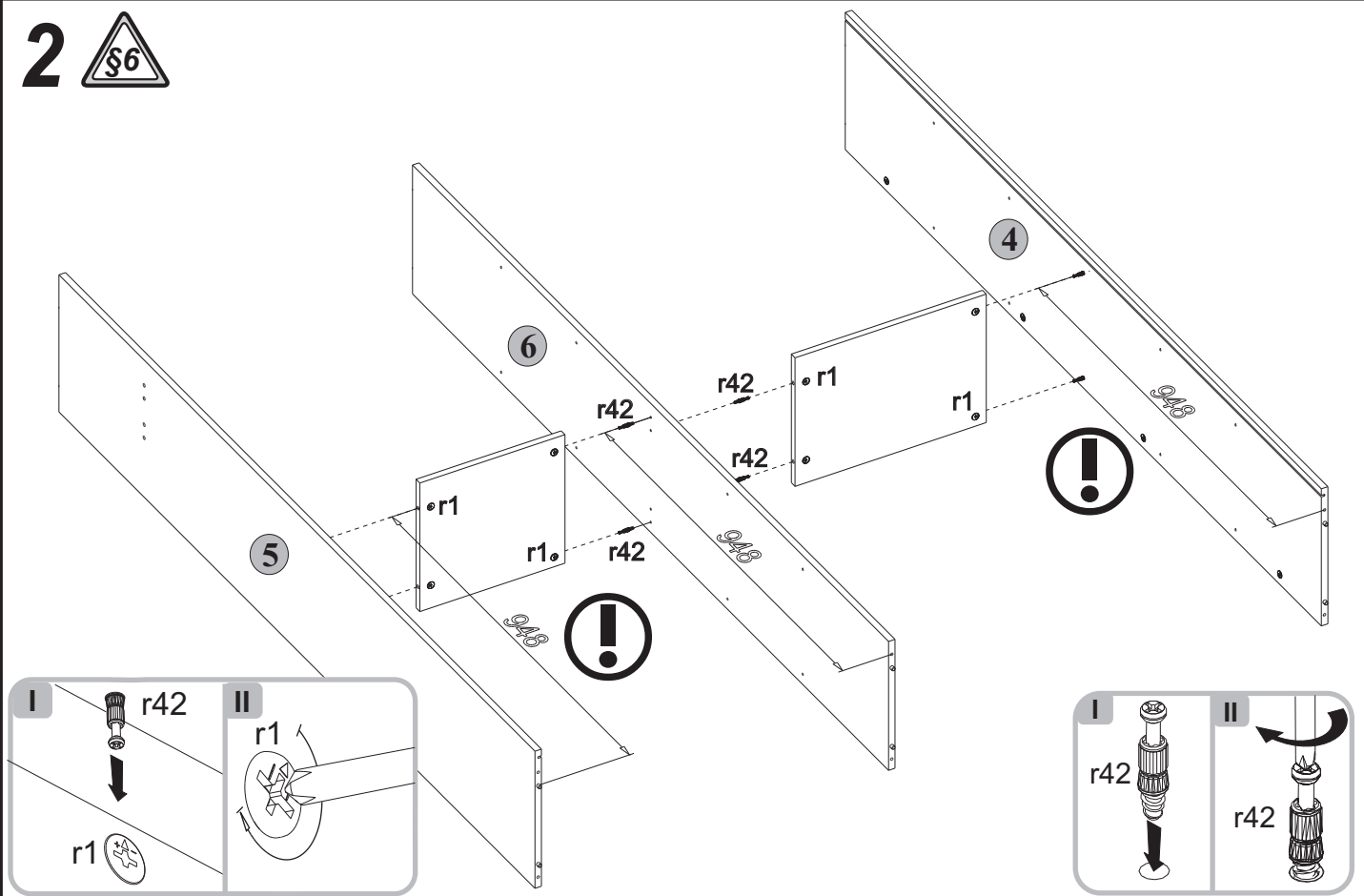


4x a11	4x b4	4x b57	8x p32 φ3x9 mm	16x d1 φ5	16x d3 φ5x17 mm	8x e2 φ6.3x13 mm	8x e3 φ6x13 mm	20x f1 φ8x30 mm
4x a118	4x c289 128 mm	5x k52 56x56x20 mm	10x l1	8x l2	4x o1 φ6,5x9 mm	10x p21 φ4x30 mm	4x p9 φ4x30 mm	1x z1
4x a66/9	4x a66/8	4x p59 φ4x12 mm	22x r1 φ15x12mm #16	22x r42	14x s2 ø16	12x e1 φ7x50 mm		

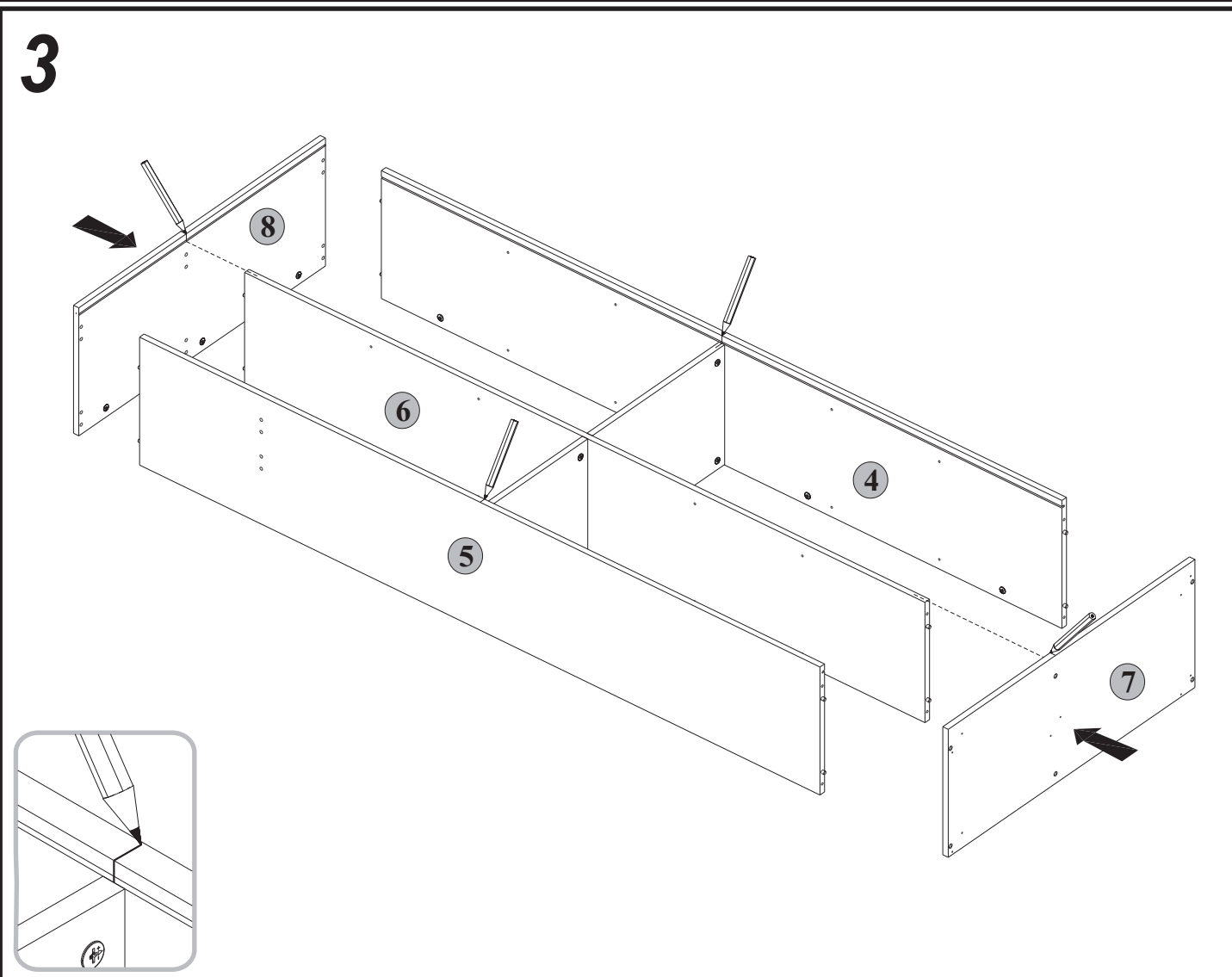
1 

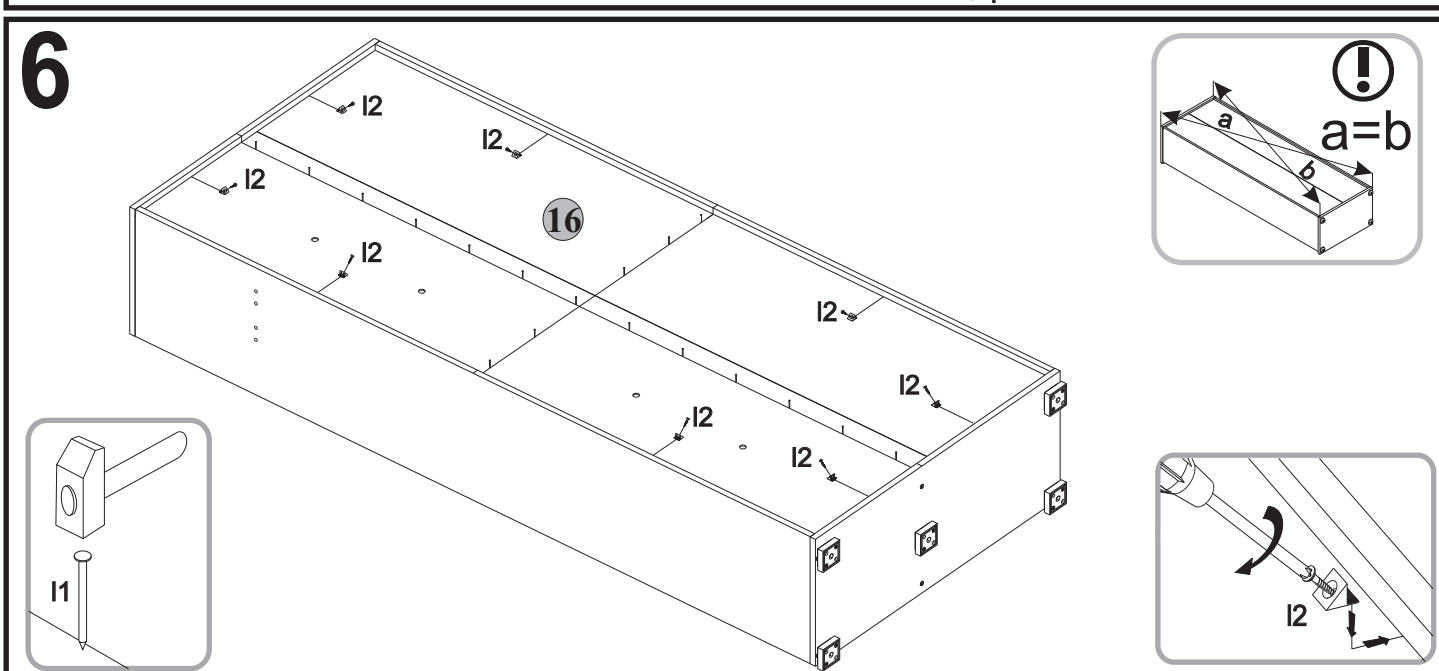
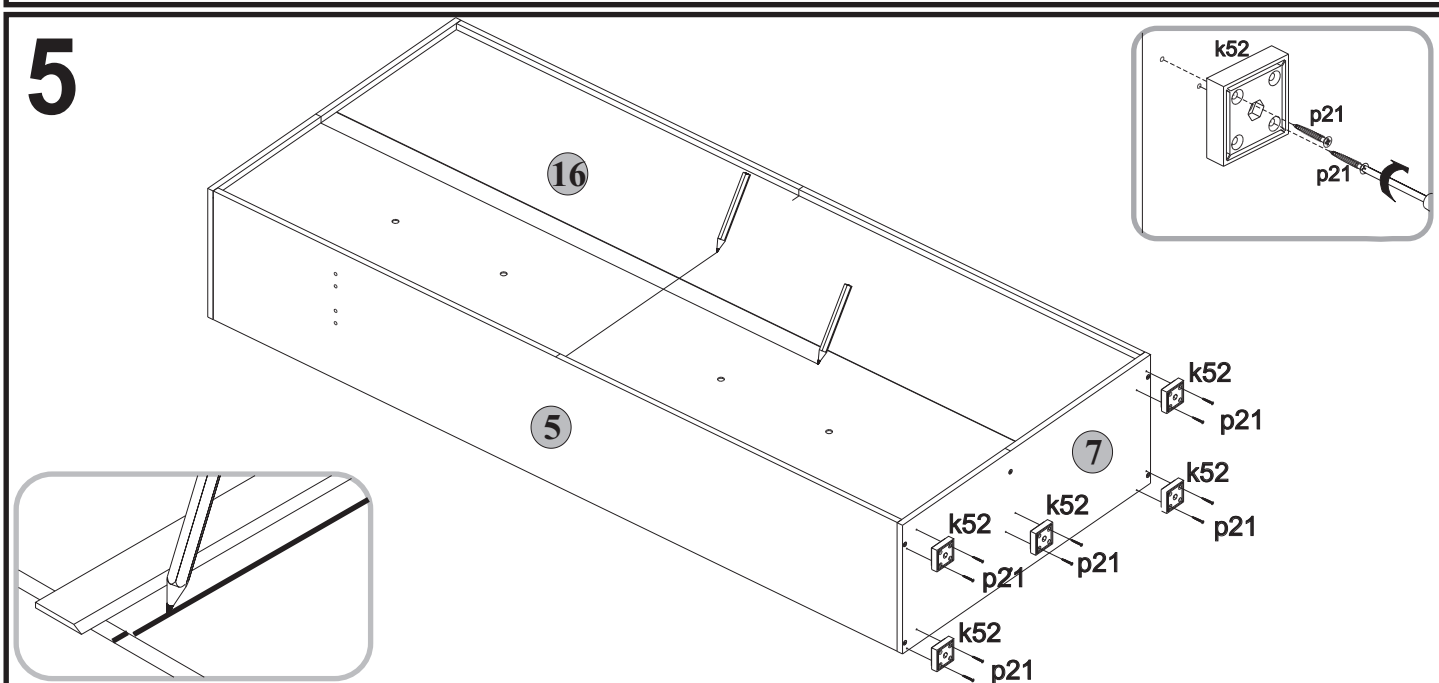
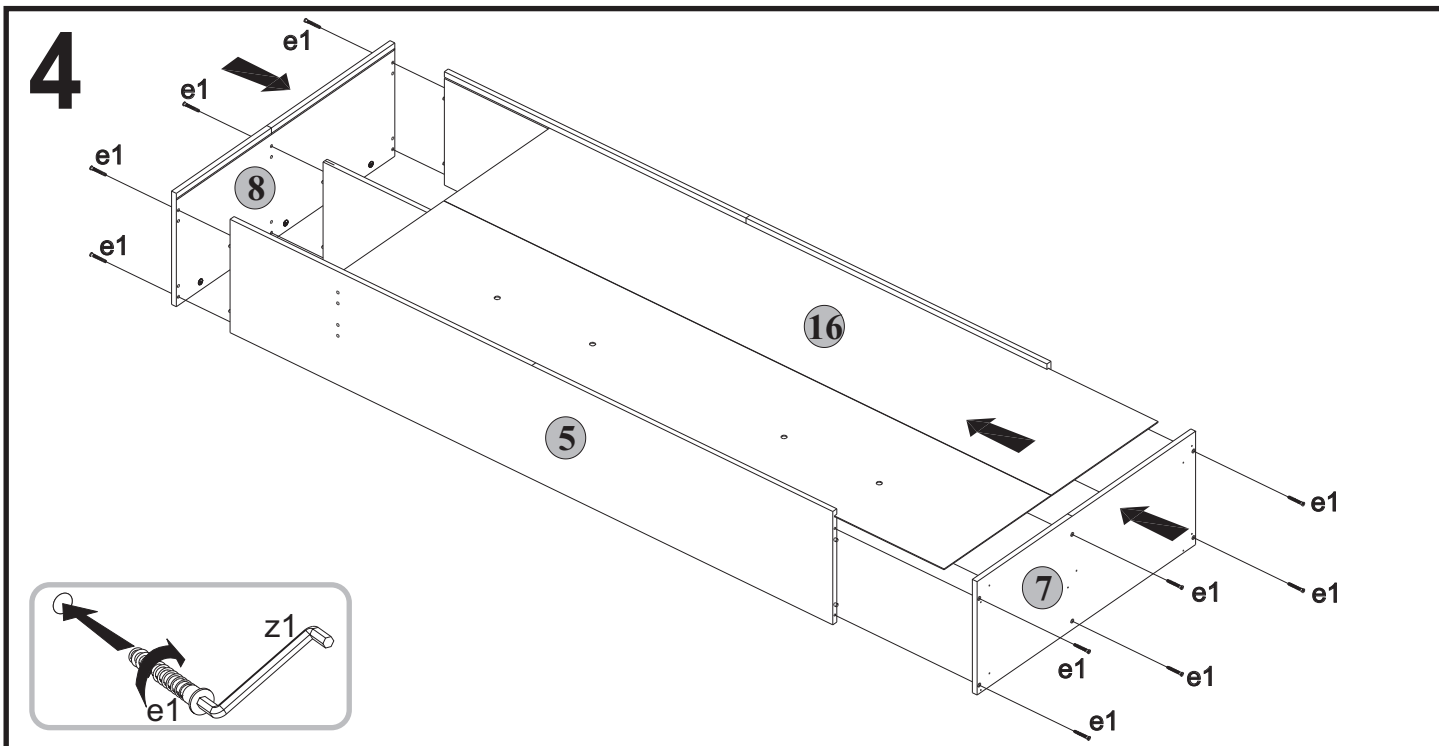


2 

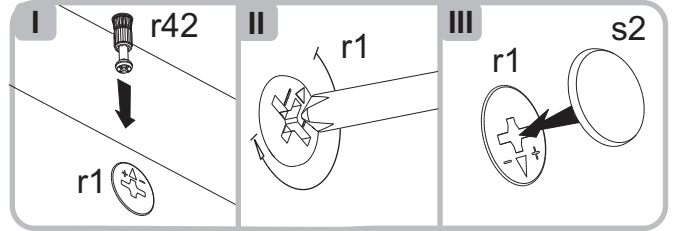
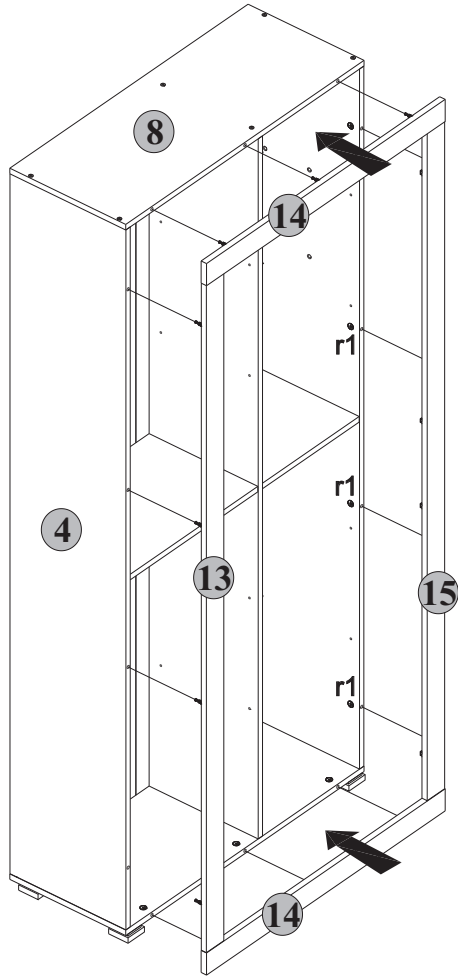


3

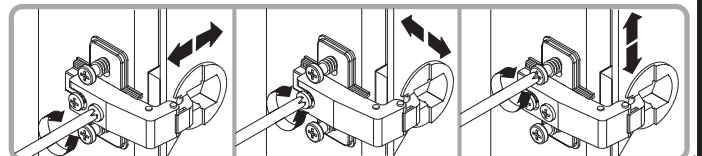
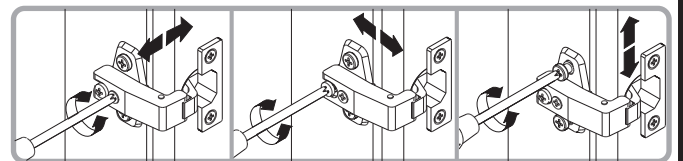
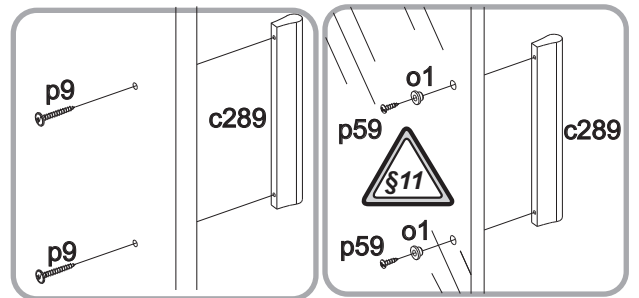
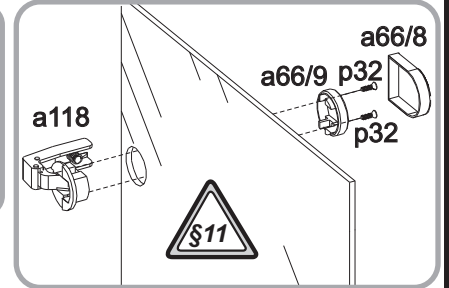
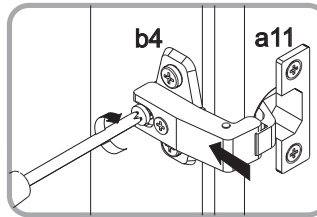
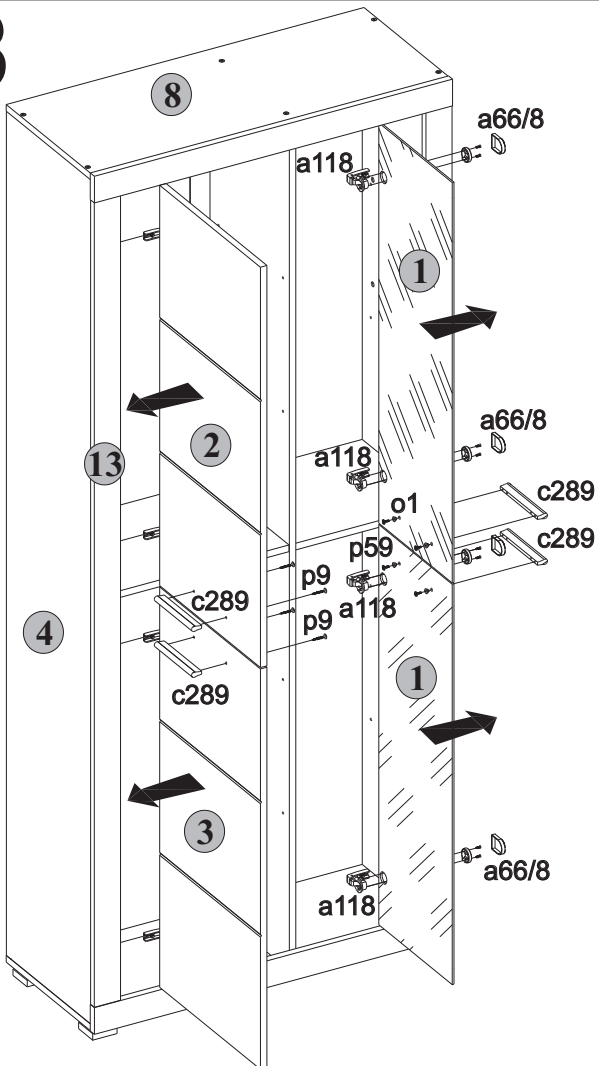




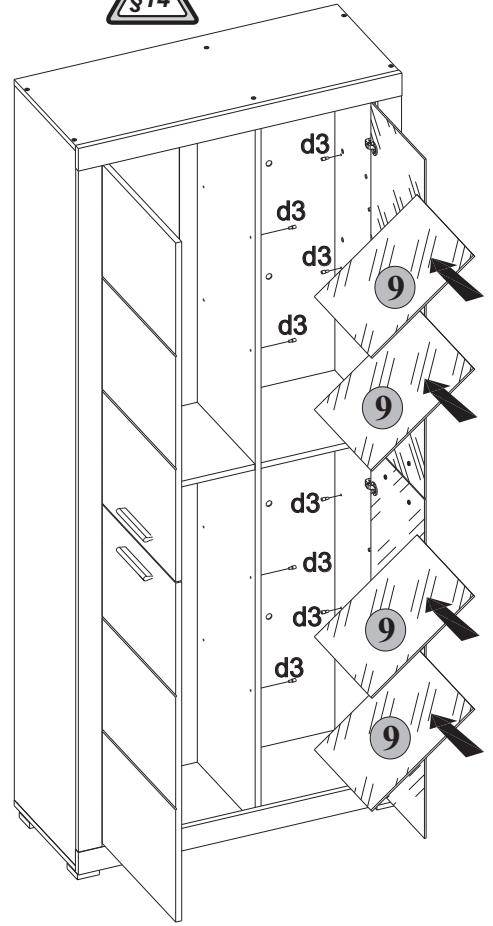
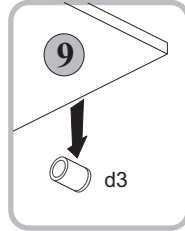
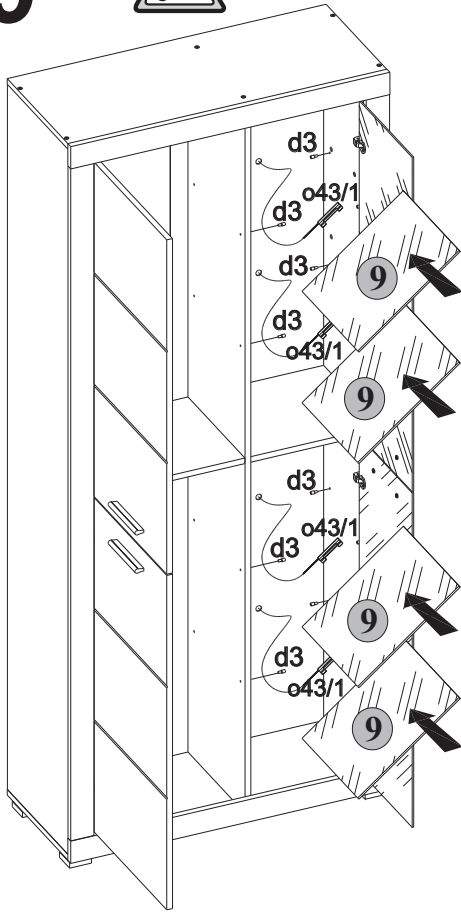
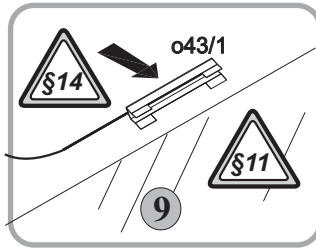
7



8



9



10

