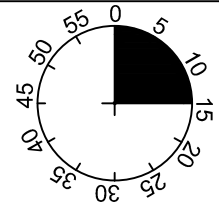
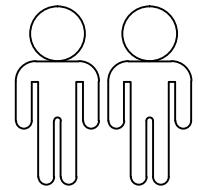
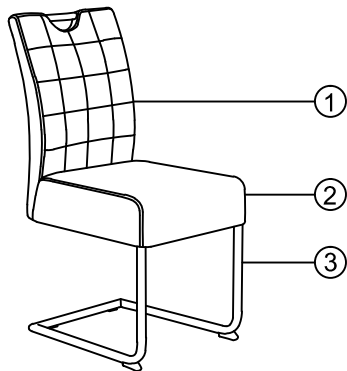


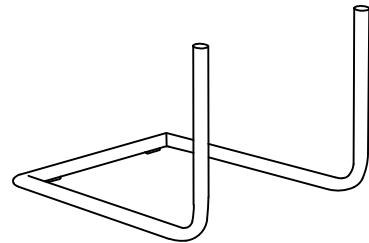
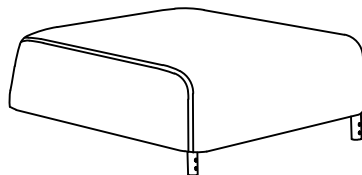
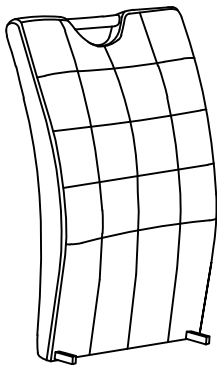
Denise



1

2

3



1	1x
2	1x
3	1x

A

M6x16



4x

B

M6x12



4x

C

4MM



1x

D

M4x20



4x

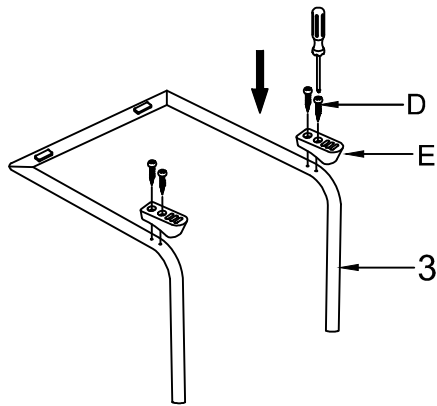
E



2x

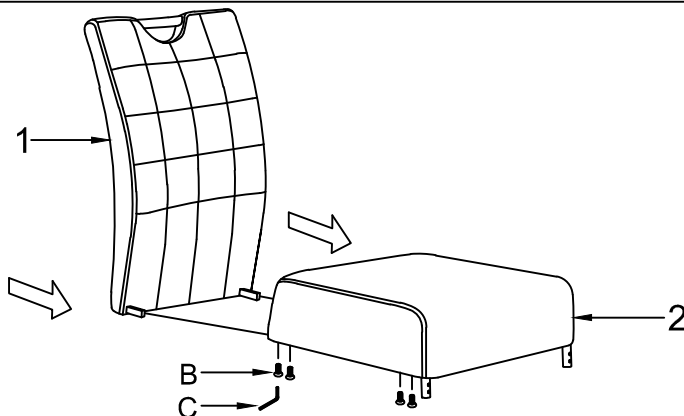
I.

1



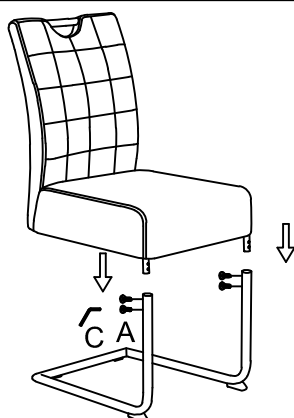
D	M4x20
	4x
E	
	2x

2



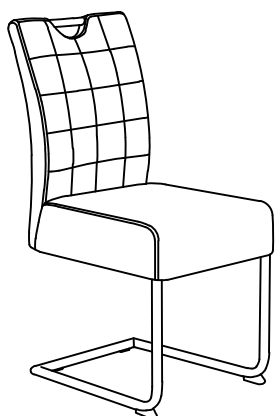
B	M6x12
	4x
C	4MM
	1x

3



A	M6x16
	4x
C	4MM
	1x

4



C	4MM
	1x

