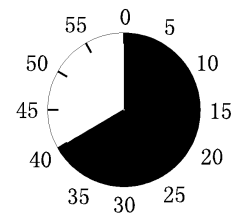
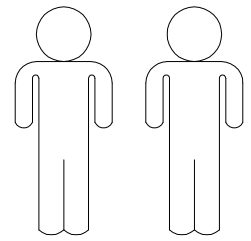
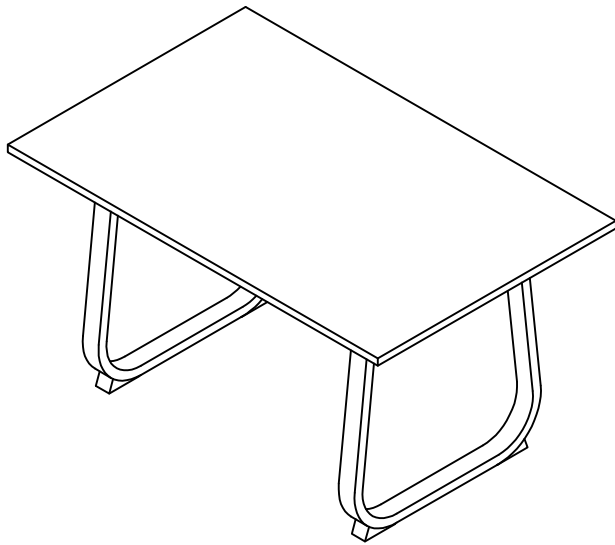
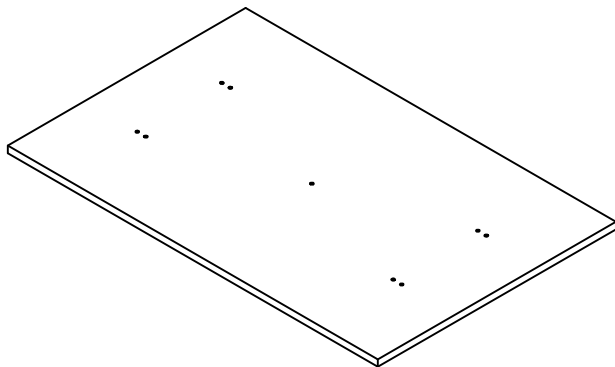


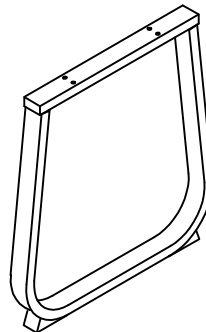
# Luise



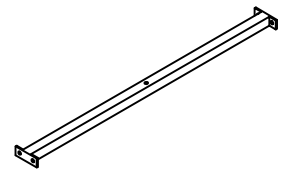
1



2



3



1	1x	1/2
2	2x	2/2
3	1x	2/2

A

M6\*12



9X

B

M6\*40



9X

C

M6\*12



4X

D

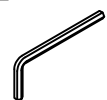
Ø18\*Ø6\*1.5



9X

E

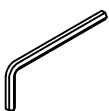
4mm



1X

F

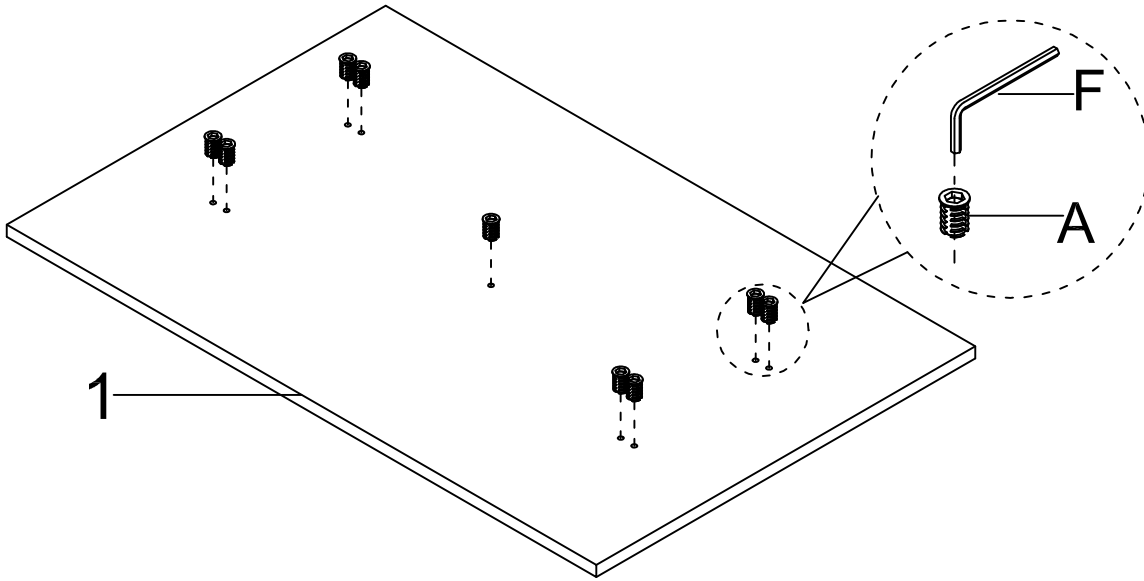
6mm



1X

I.

1.



A

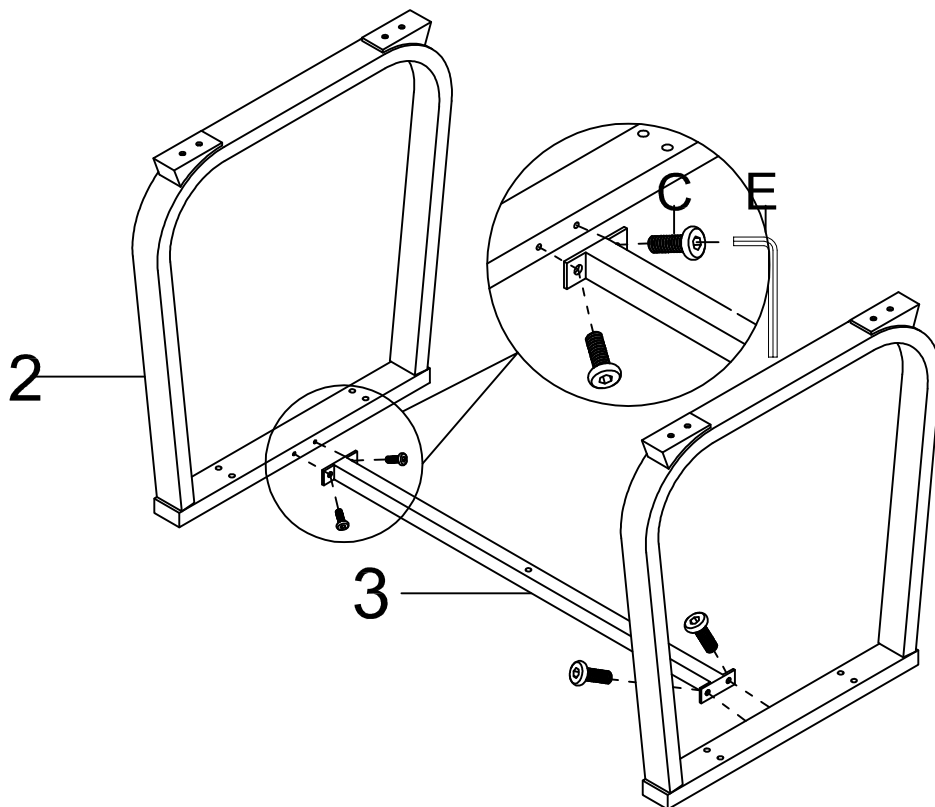
M6\*12  
9X

F

6mm  
1X



2.



C

M6\*12  
4X

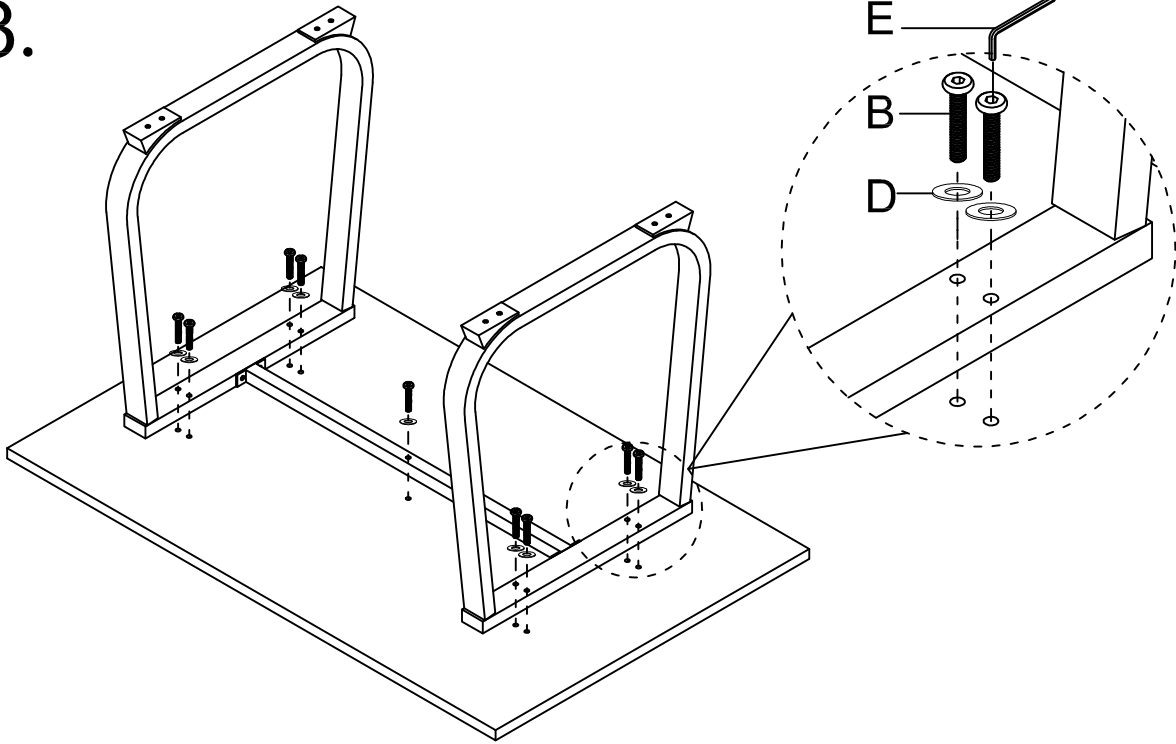
E





4mm  
1X



11.

3.



- B  M6\*40  
9X
- D  Ø18\*Ø6\*1.5  
9X
- E  4mm  
1X
-  100%

4.

