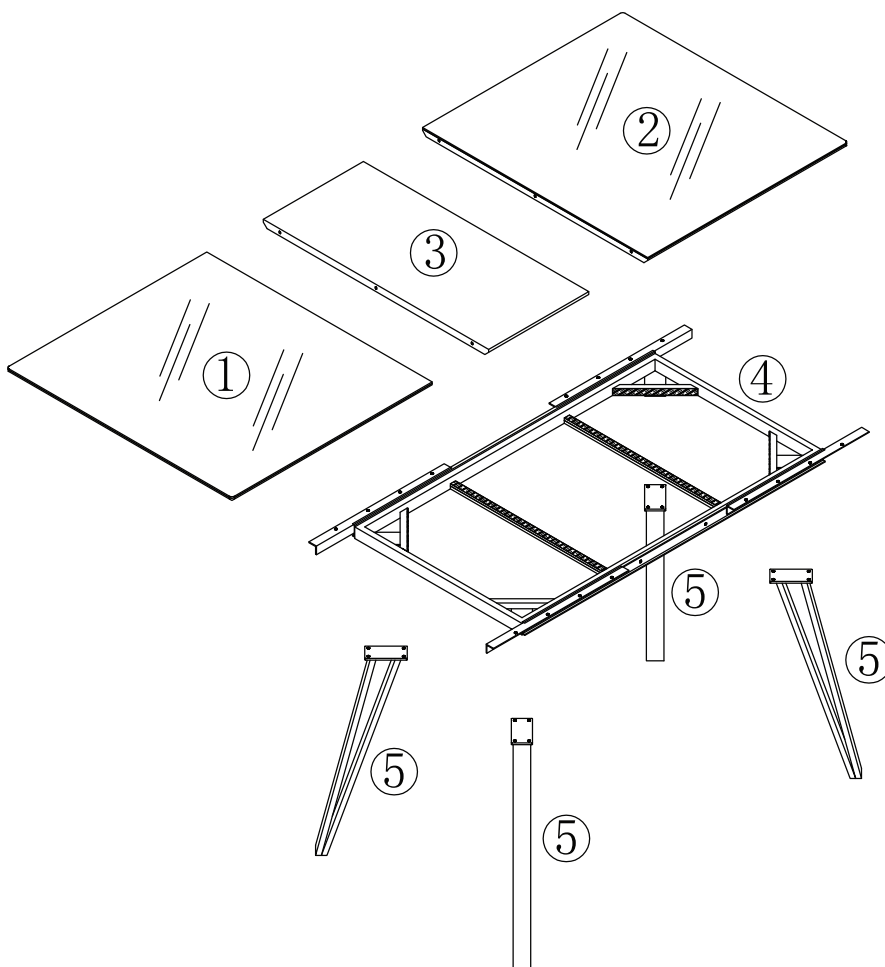
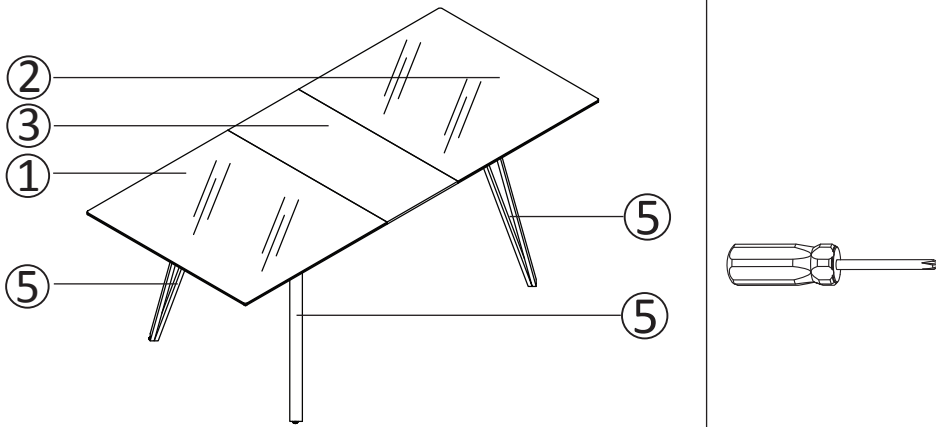
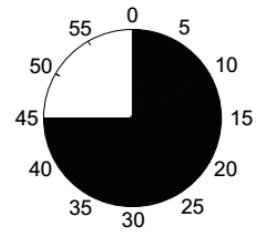
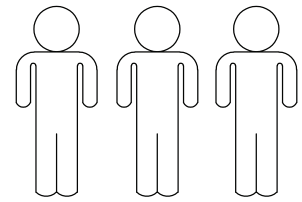


CORINNA

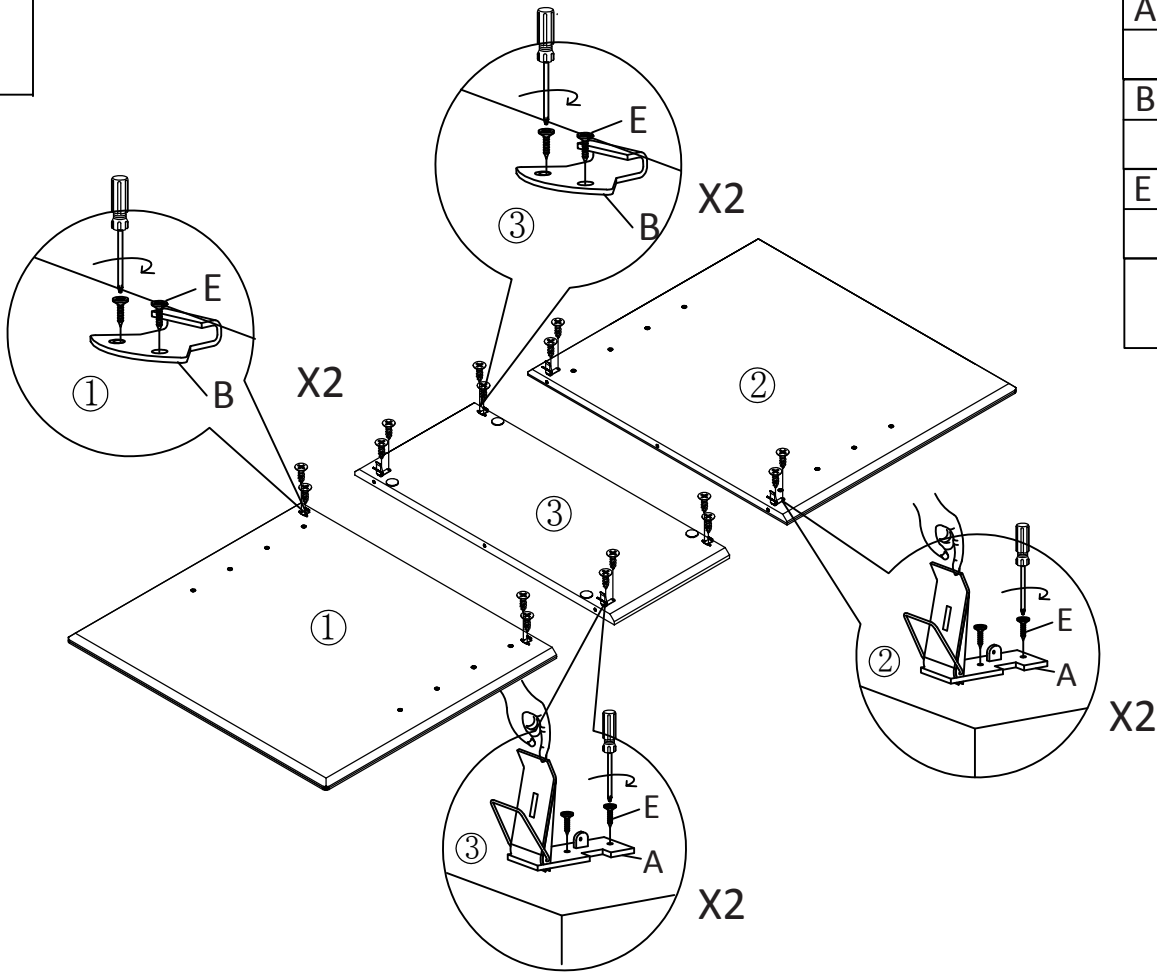






1	1x	1/2
2	1x	1/2
3	1x	1/2
4	1x	2/2
5	4x	2/2

A	B	C	M6x15mm	D	Ø16xØ6.5x1.5mm	E	M4x16mm	F	M6(Ø30) x12mm	G	M4
			32x		32x		16x		4x		1x

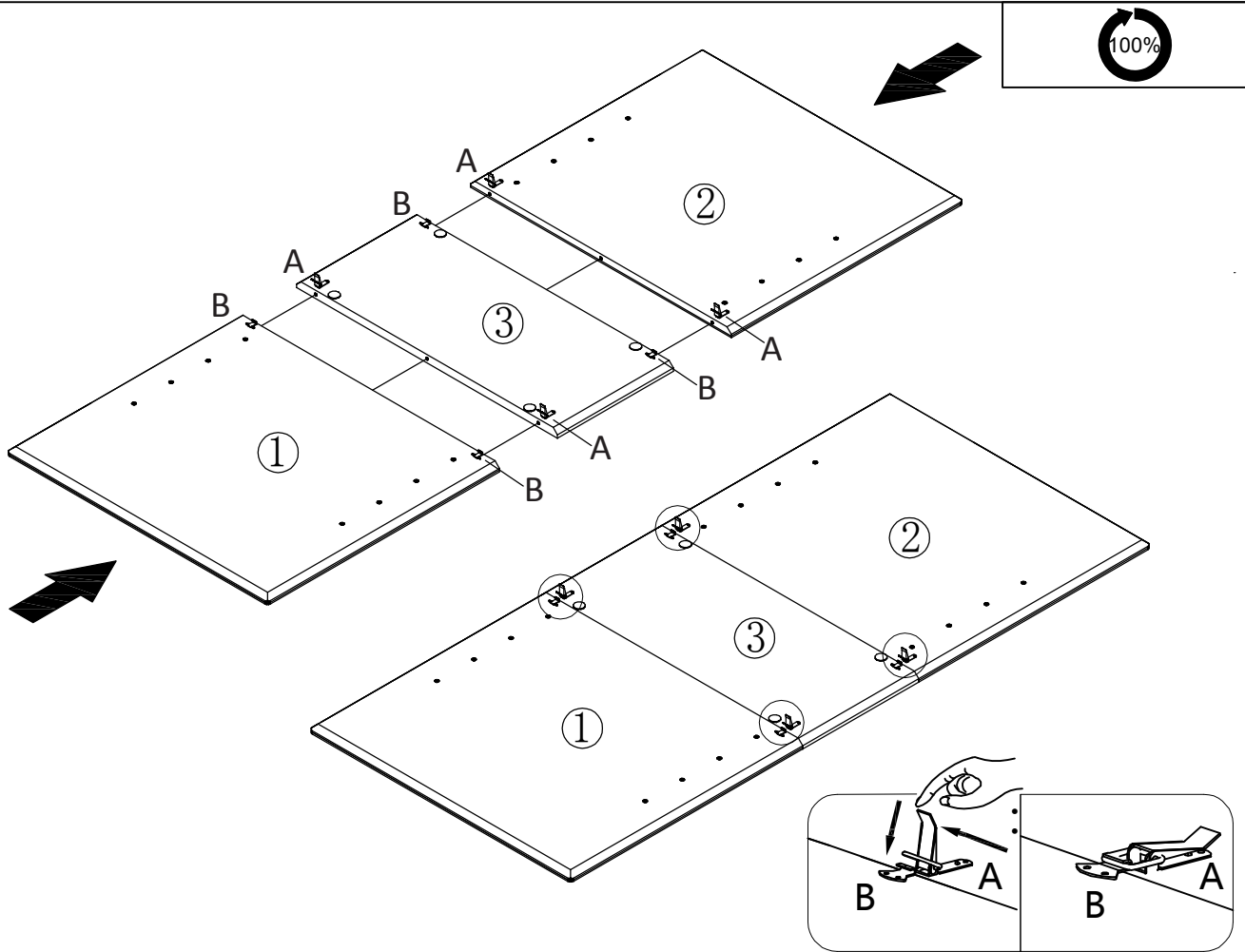
I.


1



A		4x
B		4x
E		M4x16mm 16x
		

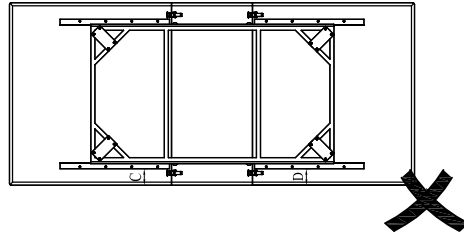
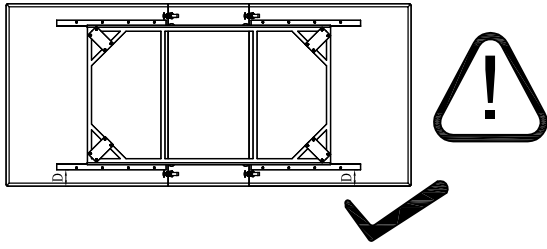
2






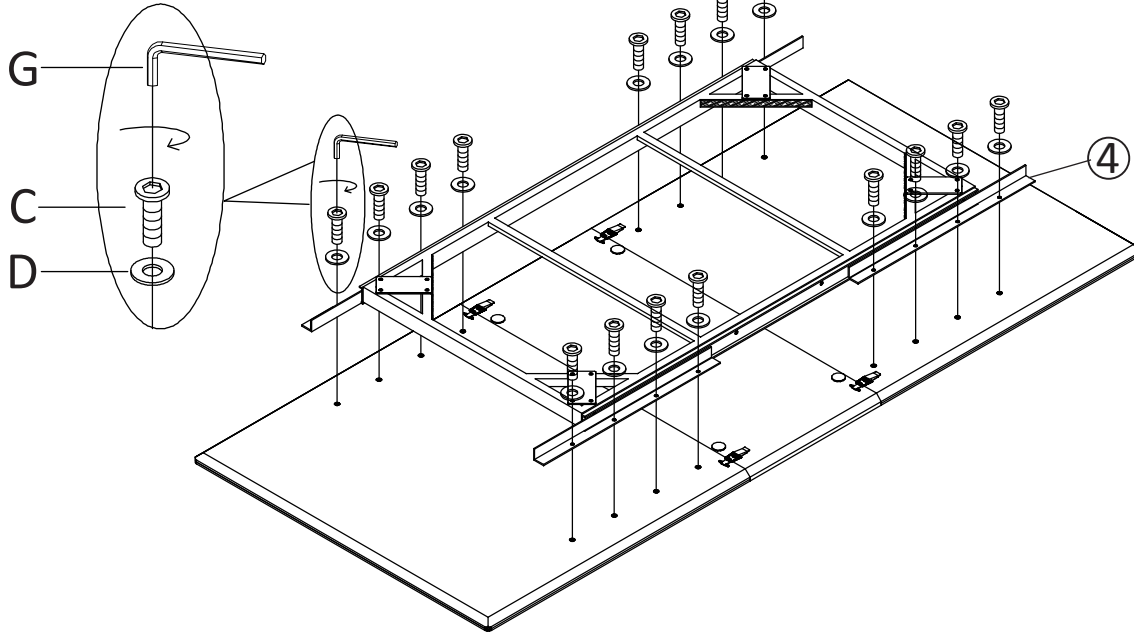
		
---	--	--

II.

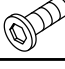


3

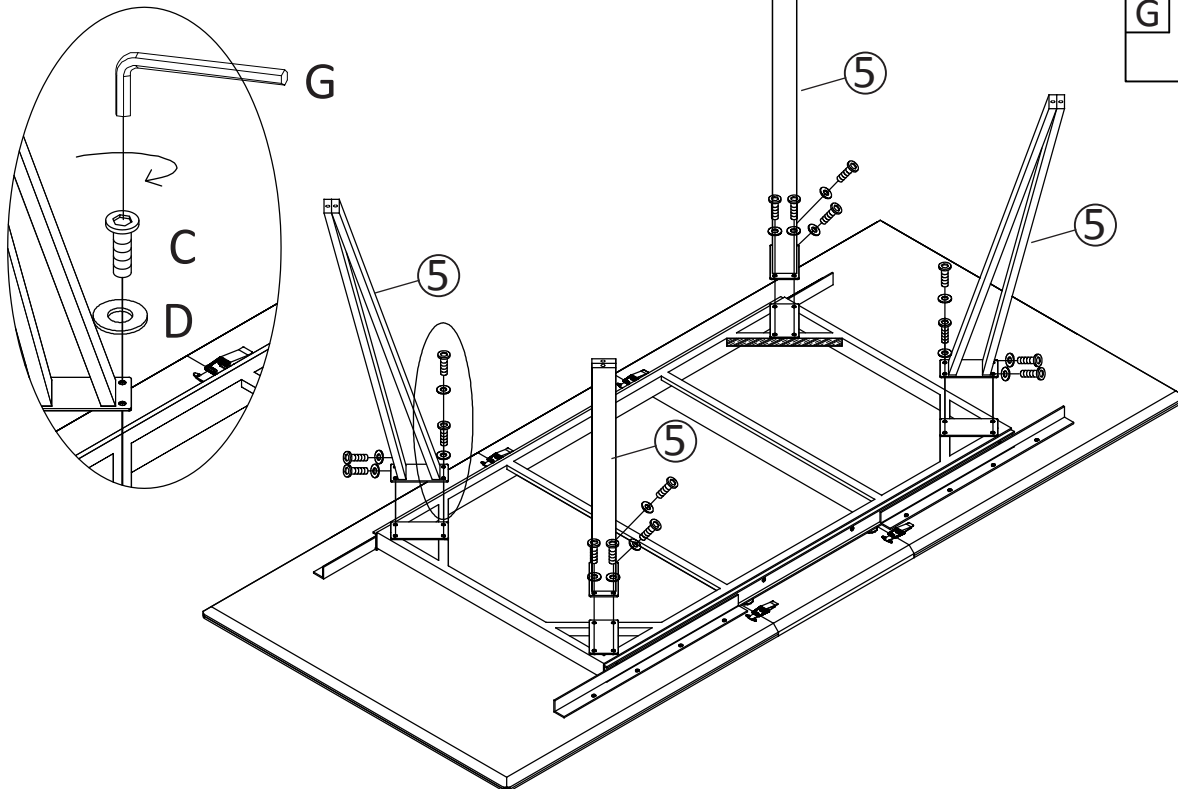


C	 M6x15mm 16x
D	 Ø16xØ6.5x1.5mm 16x
G	 M4 1x



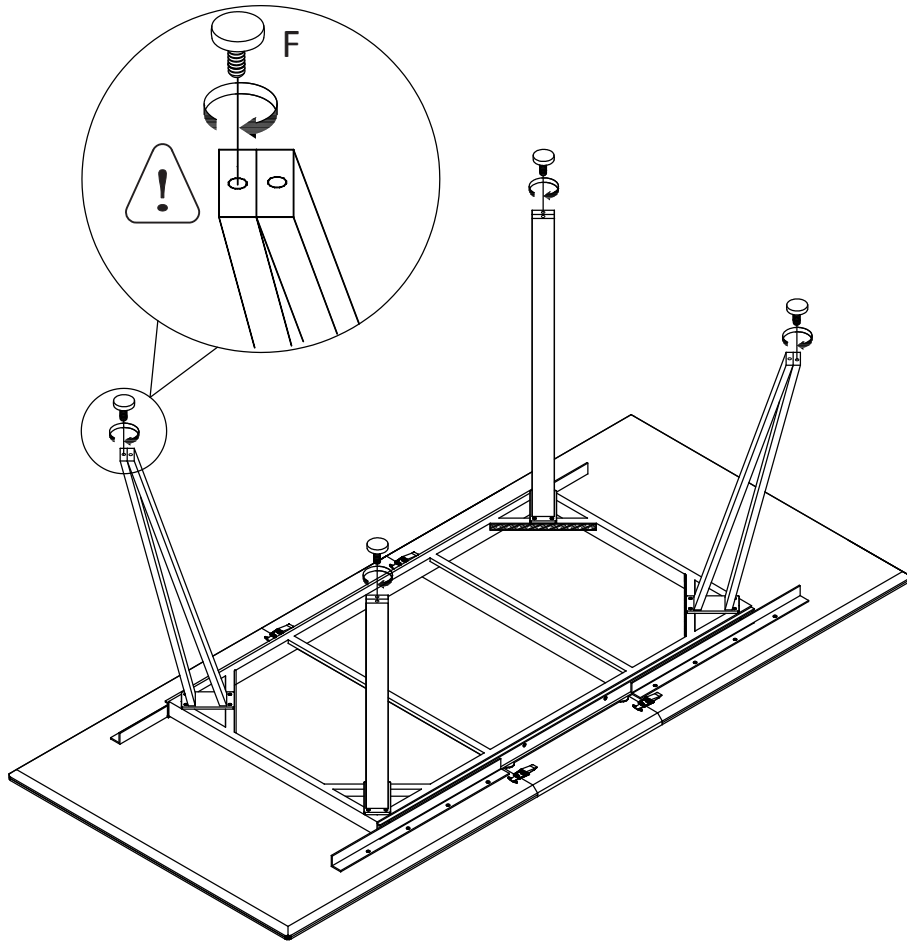
4

C	 M6x15mm 16x
D	 Ø16xØ6.5x1.5mm 16x
G	 M4 1x



III.

5



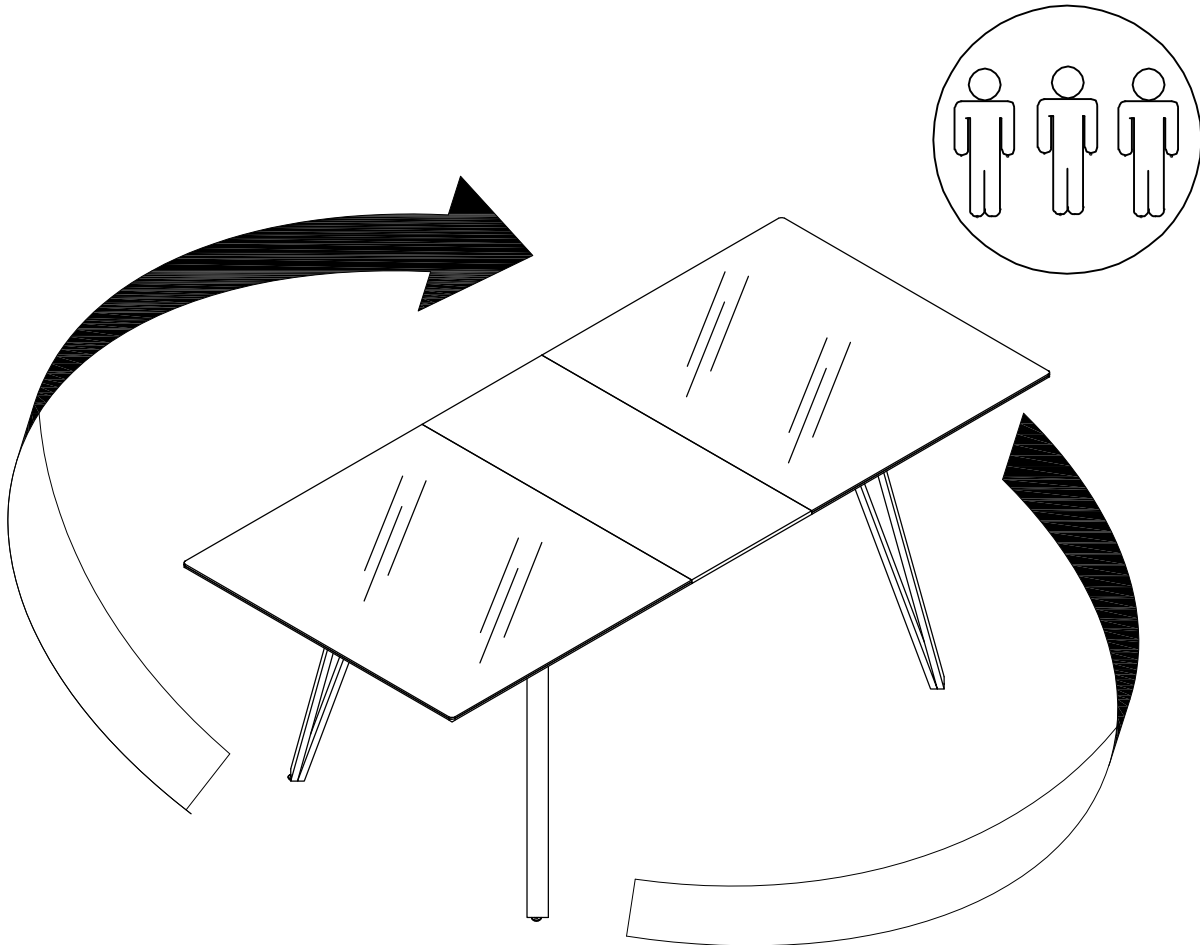
F

M6x(Ø 30) X12mm



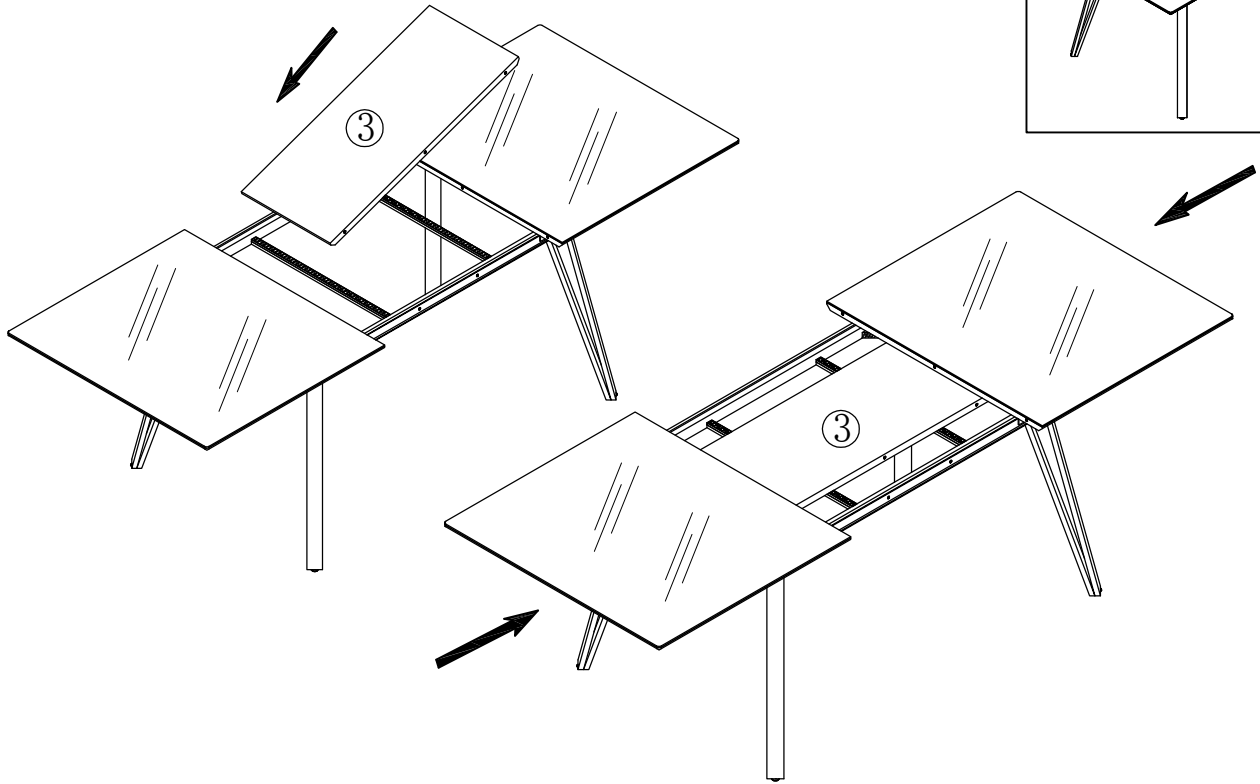
4x

6

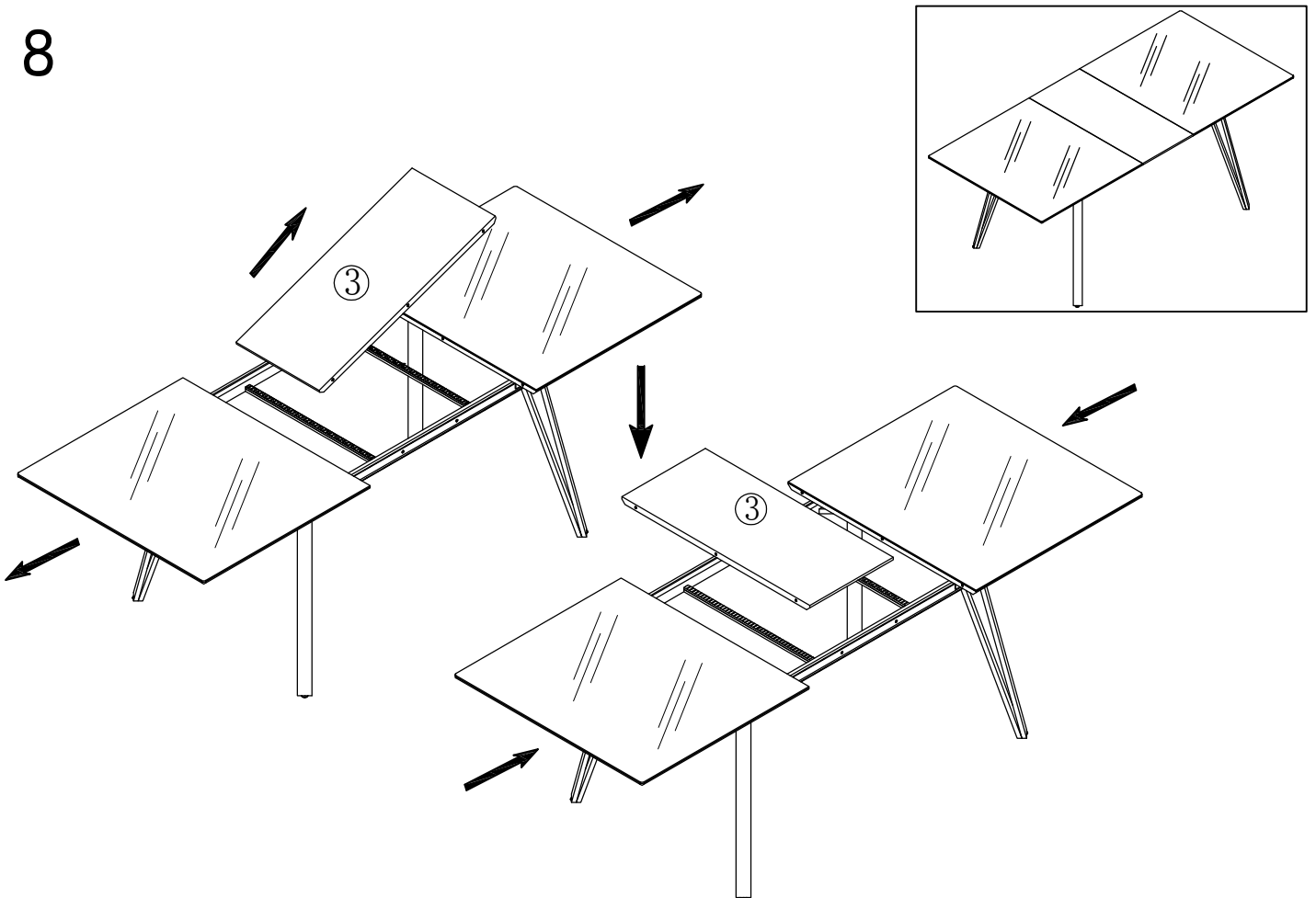


IV.

7



8



V.

9

