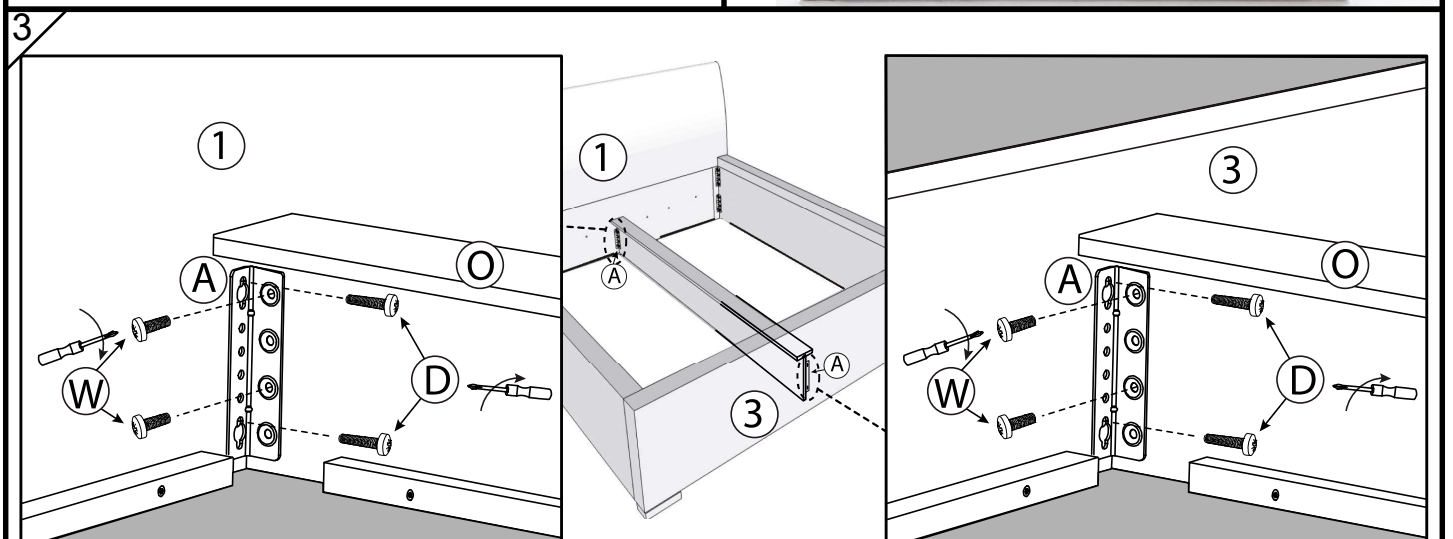
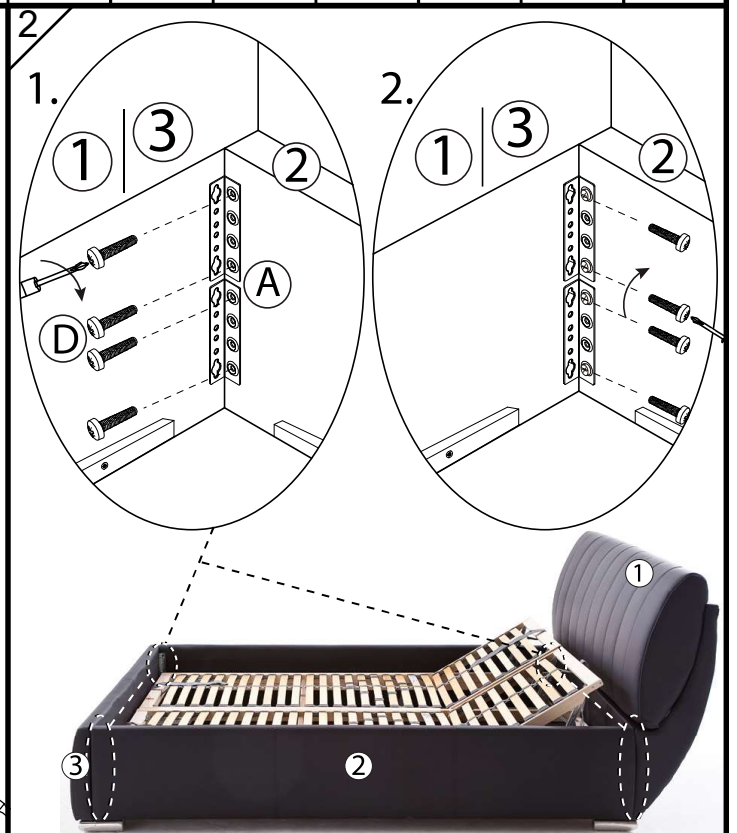
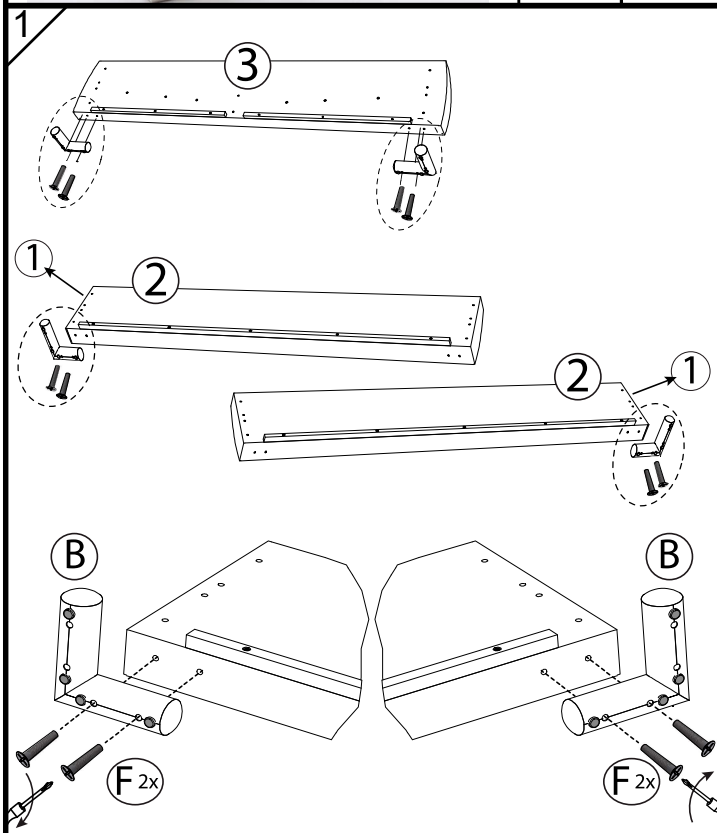
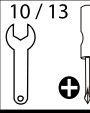


# BERN by meise

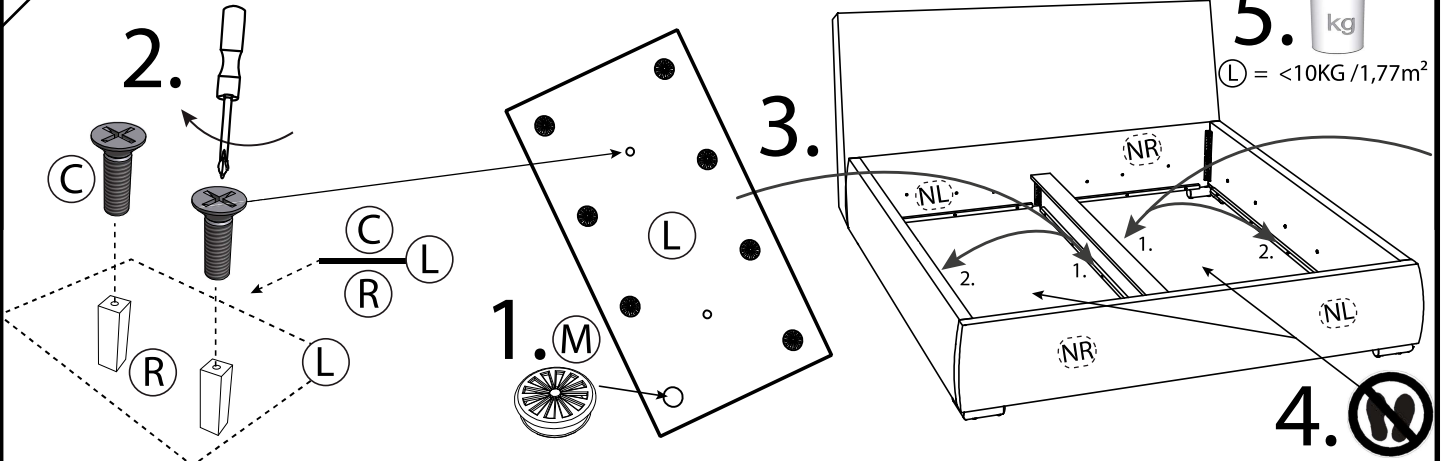
A	B	C	D	E	F	G	H	I	J	K	L	M	NL/NR
10	4	4	36	8	18	12	8	8	12	4	2	16	2 / 2
				<b>O</b>	<b>P</b>	<b>QL/QR</b>	<b>R</b>	<b>S</b>	<b>T</b>	<b>U</b>	<b>V</b>	<b>W</b>	
				1	16	1 / 1	4	2	4	8	4	4	



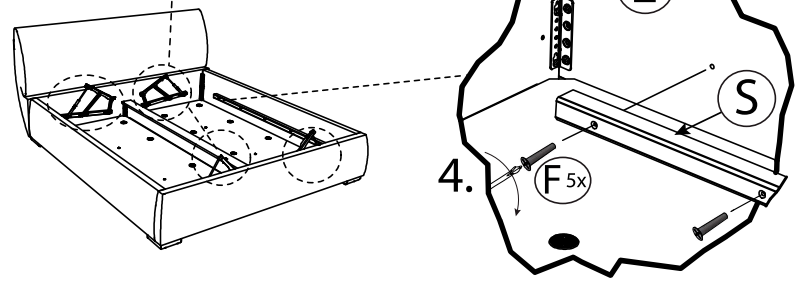
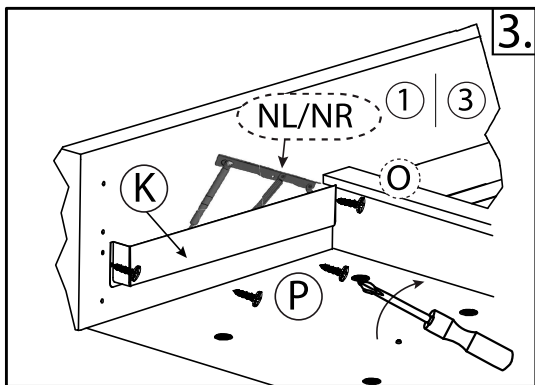
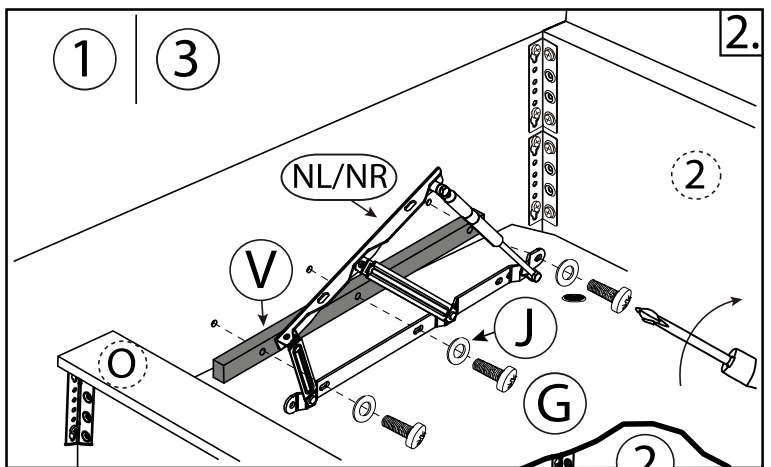
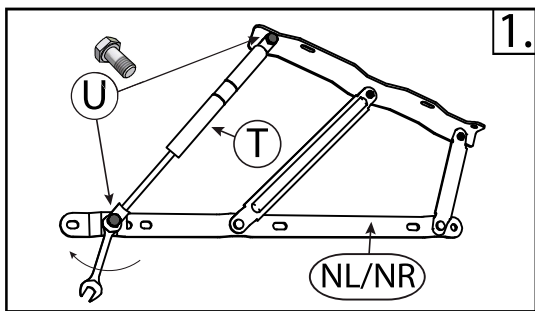


# BERN by meise

4



5



6

