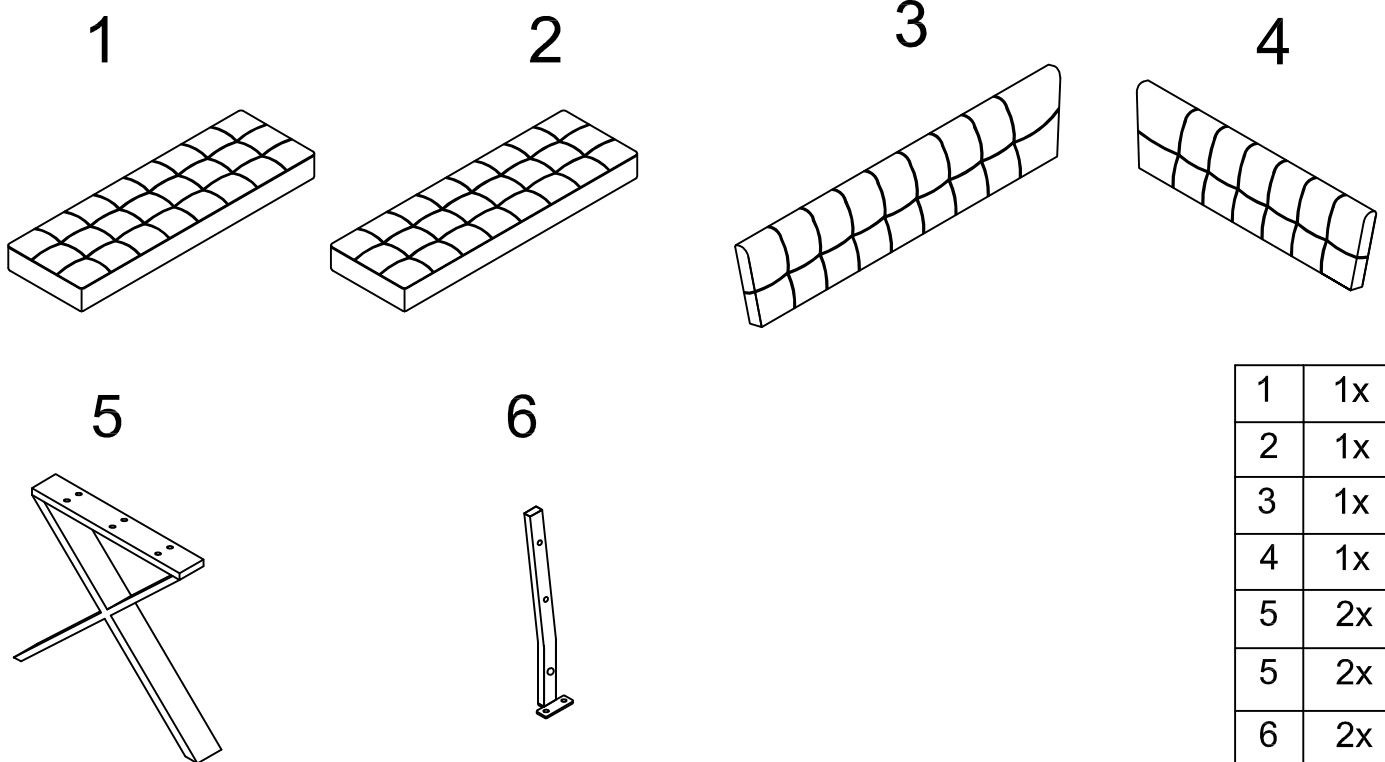
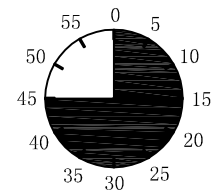
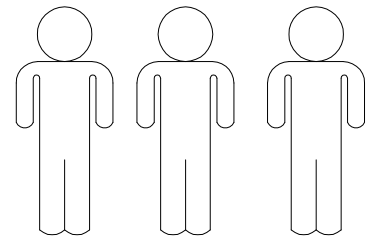
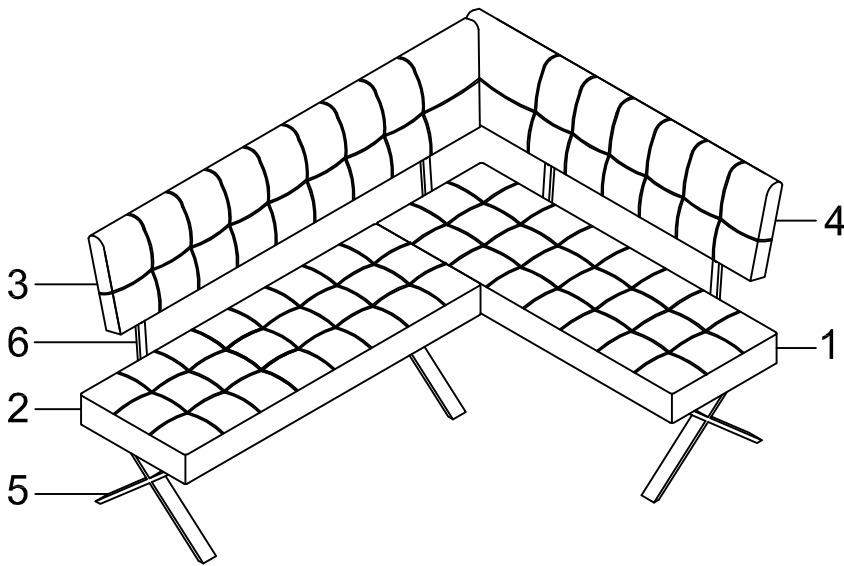


Donna L

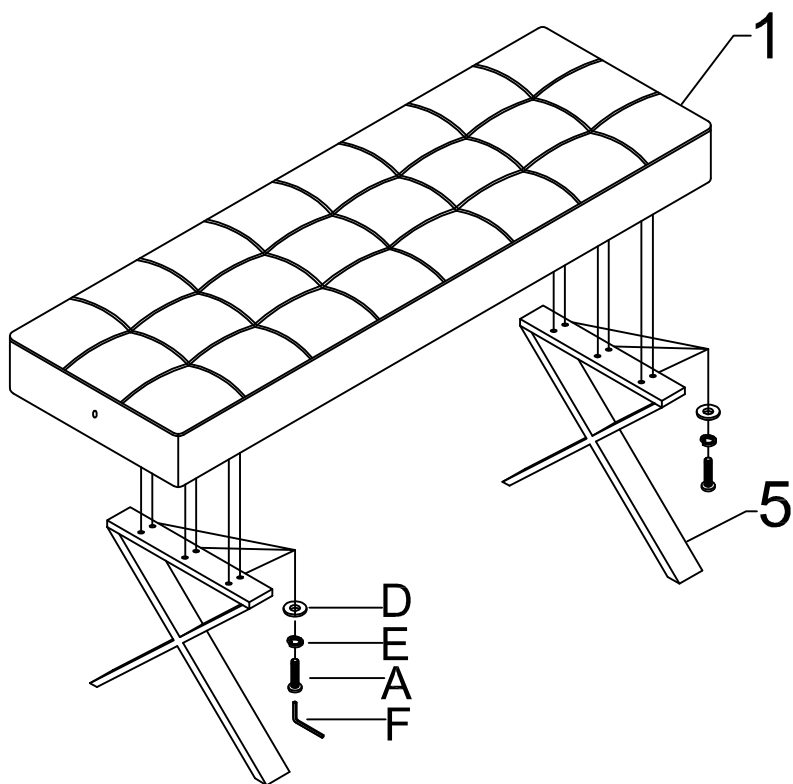


1	1x	2/3
2	1x	3/3
3	1x	1/3
4	1x	1/3
5	2x	2/3
5	2x	3/3
6	2x	2/3
6	2x	3/3

A	M8*35 32X	B	M8*18 12X	C	M8*45 4X	D	Ø18*Ø8.5*1.5 48X	E	M8 48X
F	5mm 1X	G	 2X						

I.

1.



A

M8*35



12X

D

Ø18*Ø8.5*1.5



12X

E

M8



12X

F

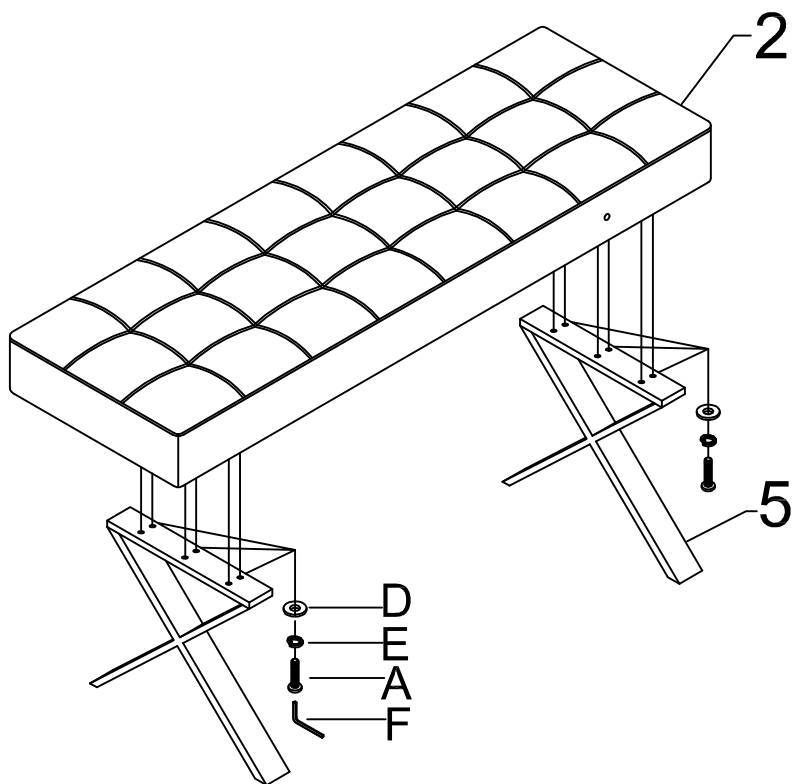
5mm



1X



2.



A

M8*35



12X

D

Ø18*Ø8.5*1.5



12X

E

M8



12X

F

5mm

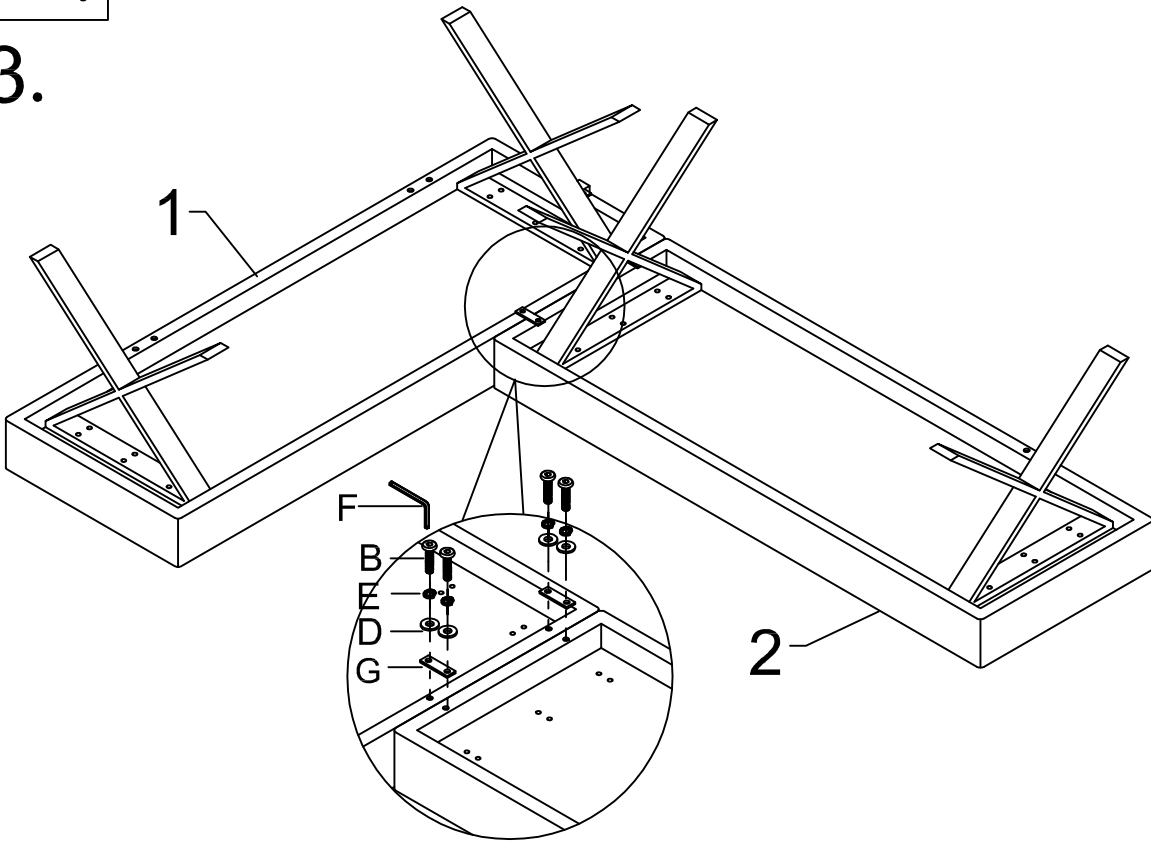


1X



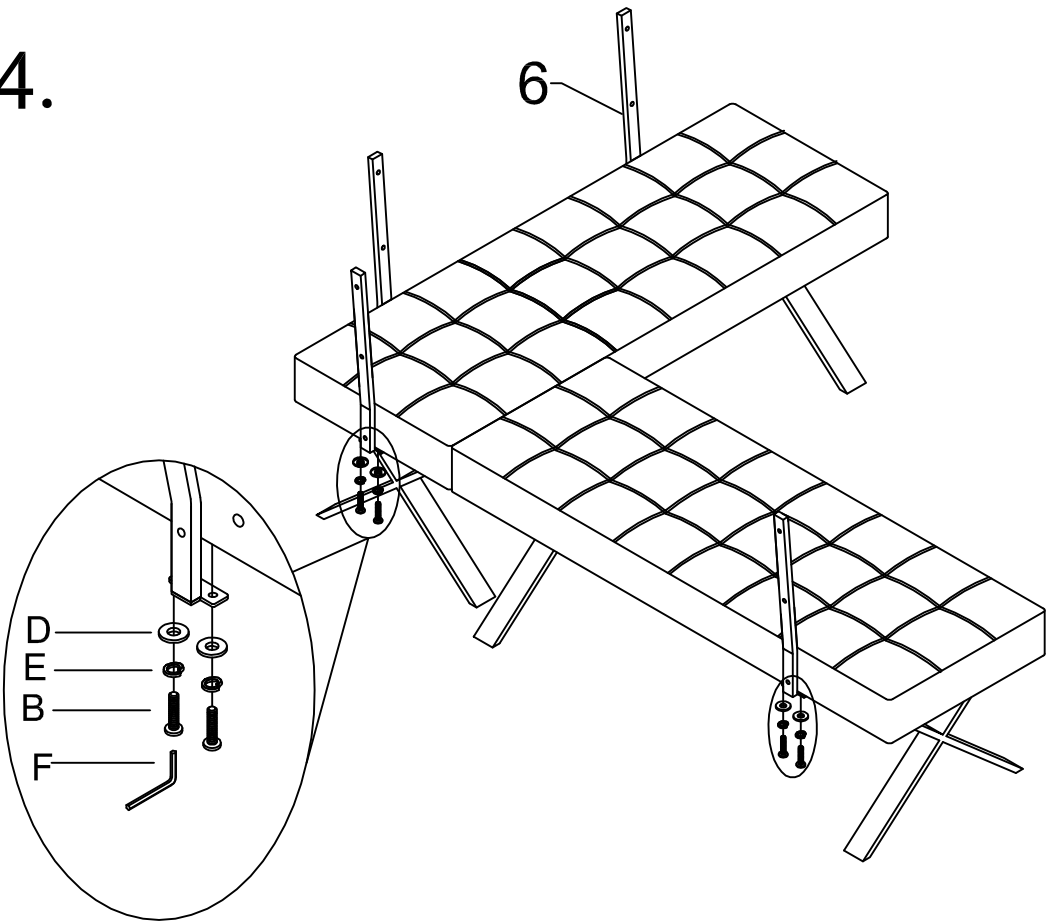
11.

3.



- B** M8*18
4X
- D** Ø18*Ø8.5*1.5
4X
- E** M8
4X
- F** 5mm
1X
- G**
2X
- 75%

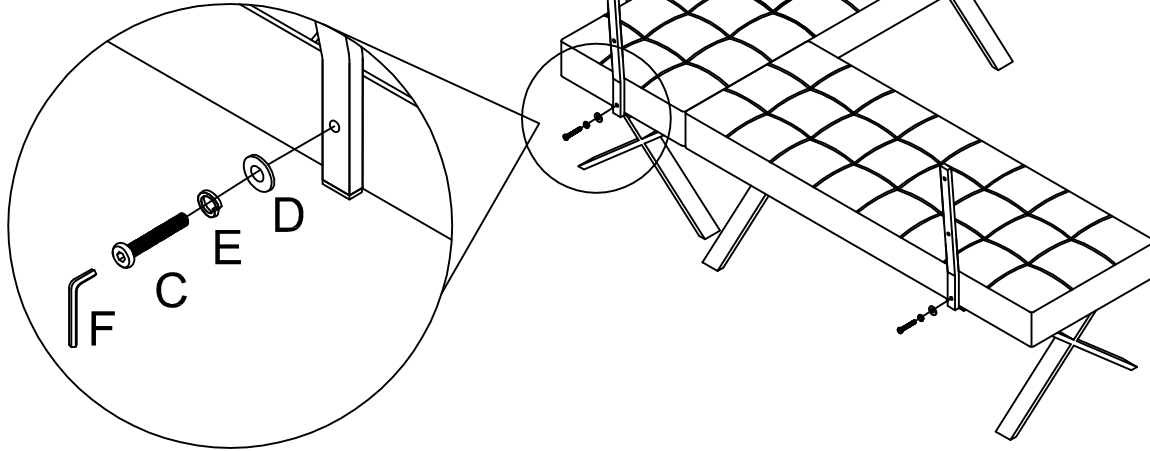
4.




- B** M8*18
8X
- D** Ø18*Ø8.5*1.5
8X
- E** M8
8X
- F** 5mm
1X
- 75%

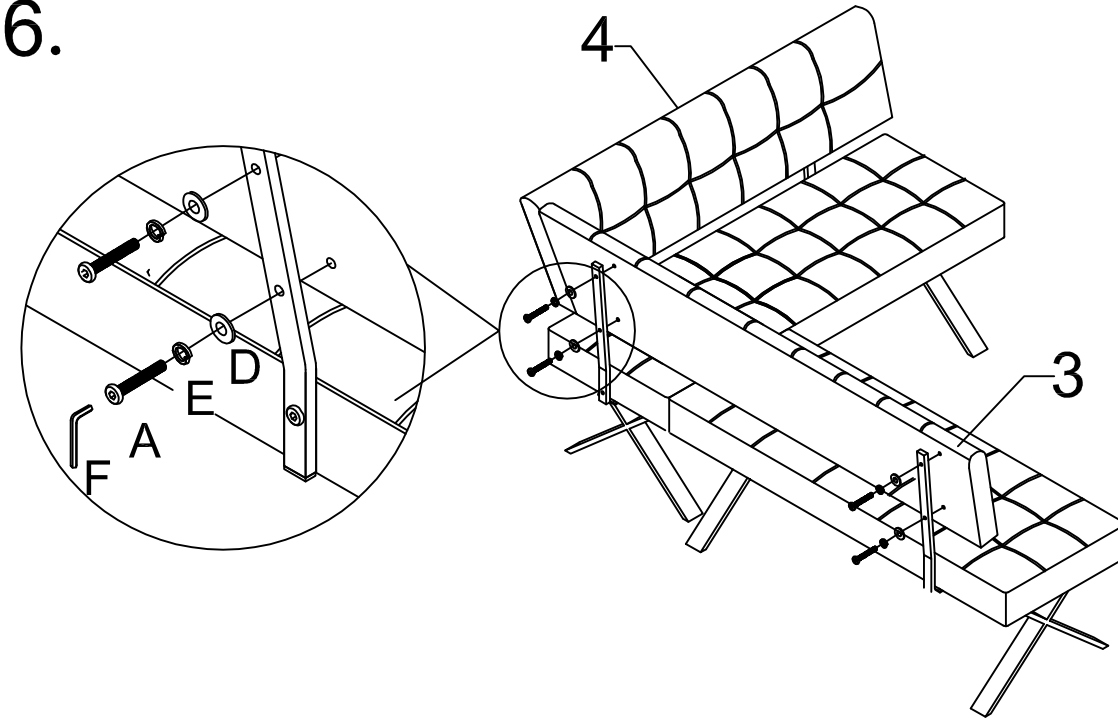
III.

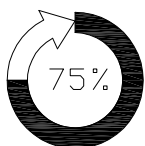
5.



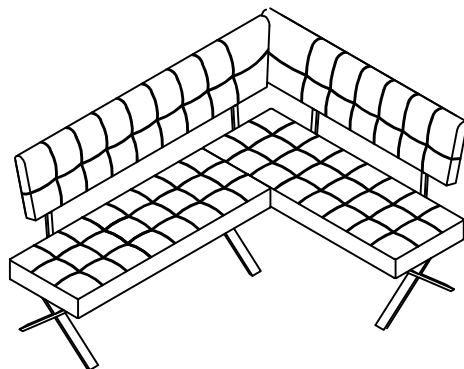
- C** M8*45
4X
 - D** Ø18*Ø8.5*1.5
4X
 - E** M8
4X
 - F** 5mm
1X
- 

6.



- A** M8*35
8X
 - D** Ø18*Ø8.5*1.5
8X
 - E** M8
8X
 - F** 5mm
1X
- 

7.



- F** 5mm
1X
- 