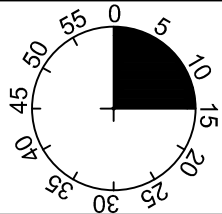
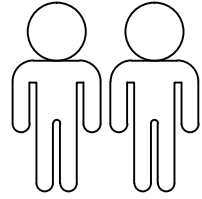
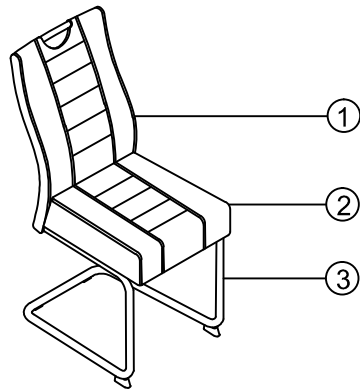


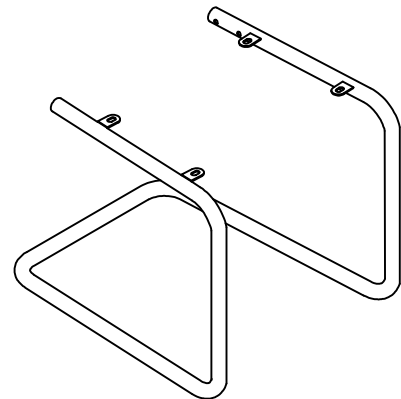
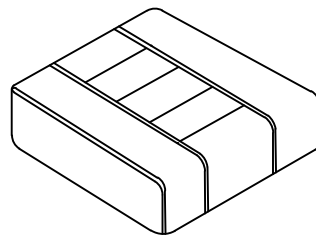
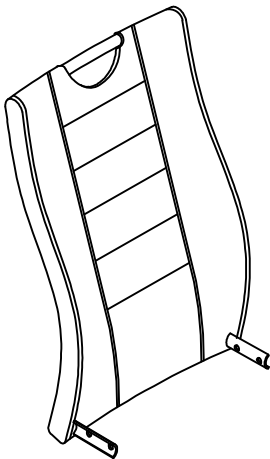
Daniela



1

2

3

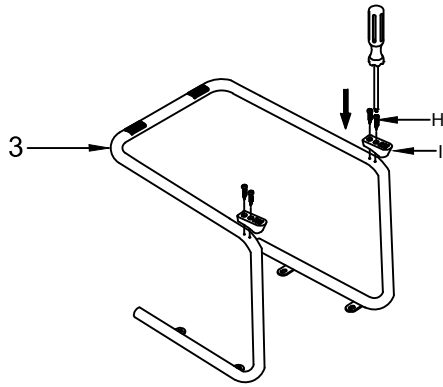


1	1x
2	1x
3	1x

A	M6x20	B	M8x20	C	Ø18xØ8x1.5	D	Ø18xØ6x1.5	E	M8	F	4MM
	4x		4x		4x		4x		4x		1x
G	6MM	H	M4x20	I							
	1x		4x		2x						

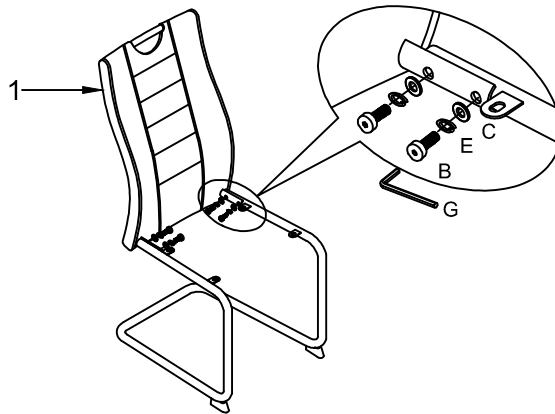
I.

1



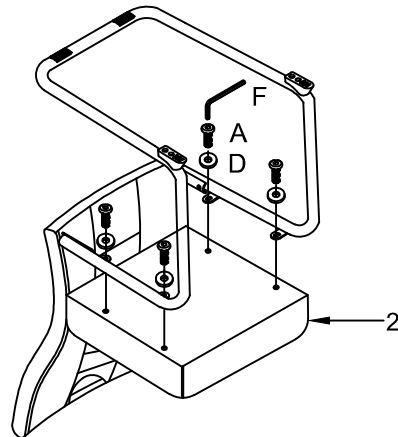
- H M4x20
4x
- I
2x
- 100%

2



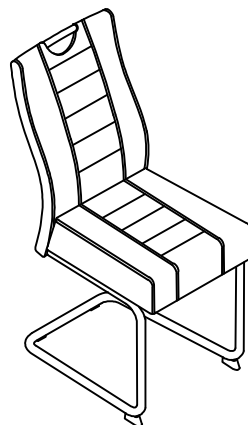
- B M8x20
4x
- C Ø18xØ8x1.5
4x
- E M8
4x
- G 6MM
1x
- 75%

3



- A M6x20
4x
- D Ø18xØ6x1.5
4x
- F 4MM
1x
- 75%

4



- F 4MM
1
- G 6MM
1
- 100%

