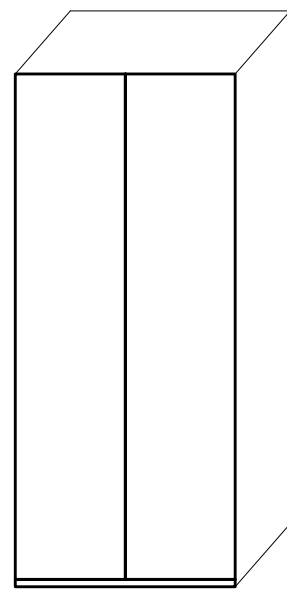
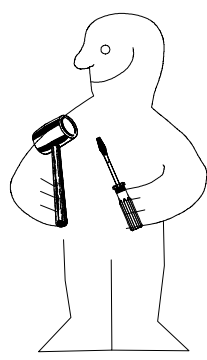
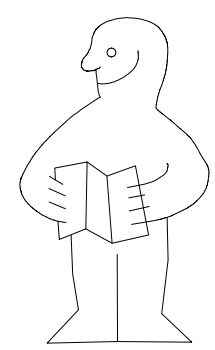
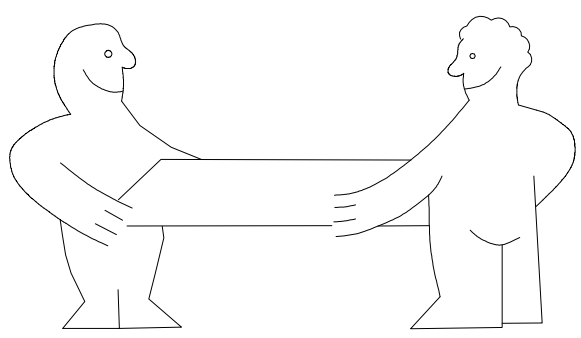
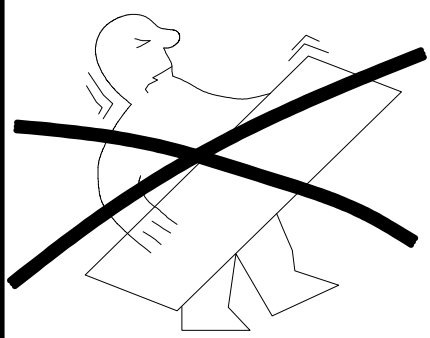


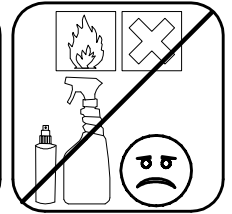
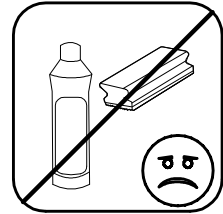
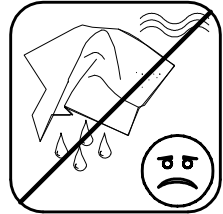
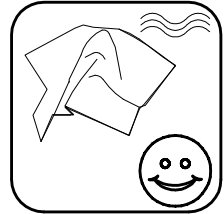
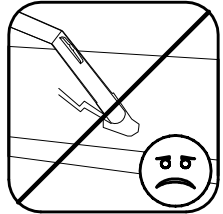
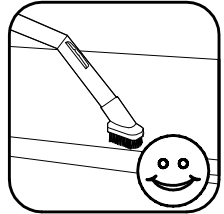
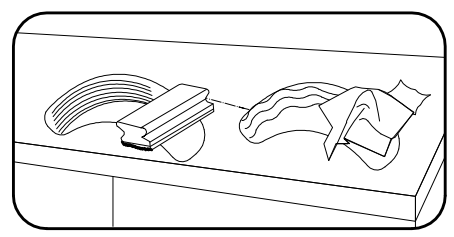
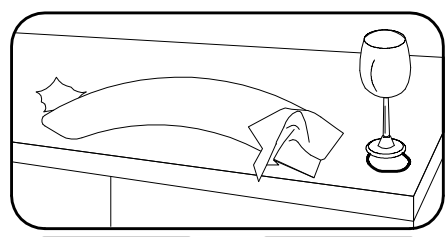
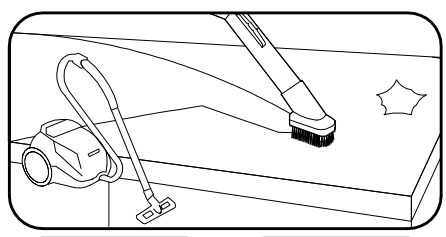
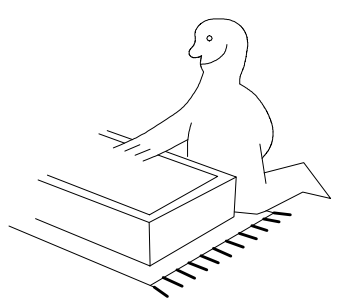
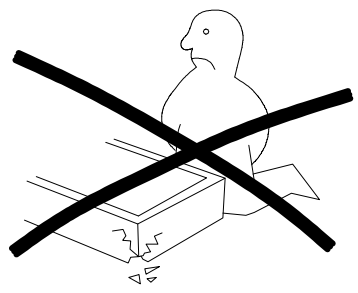
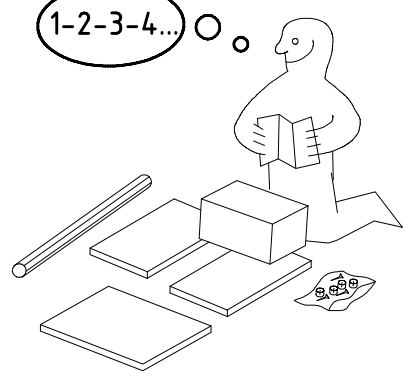
980232



SHS 90



1-2-3-4... ○ ○


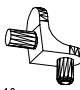
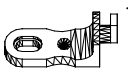



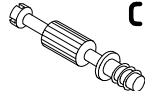
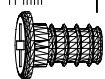
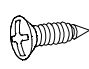

980232

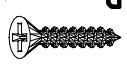
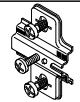
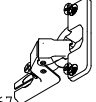
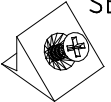
06.04.16 / -

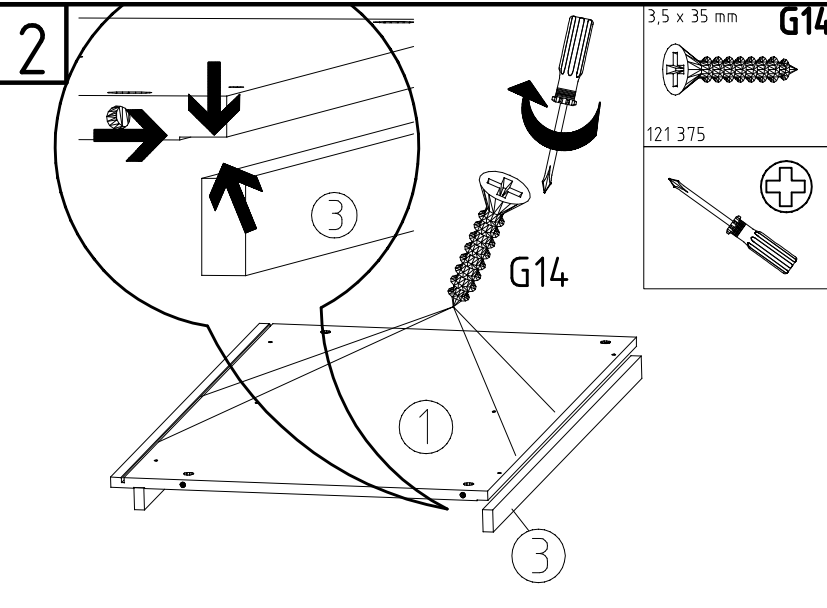
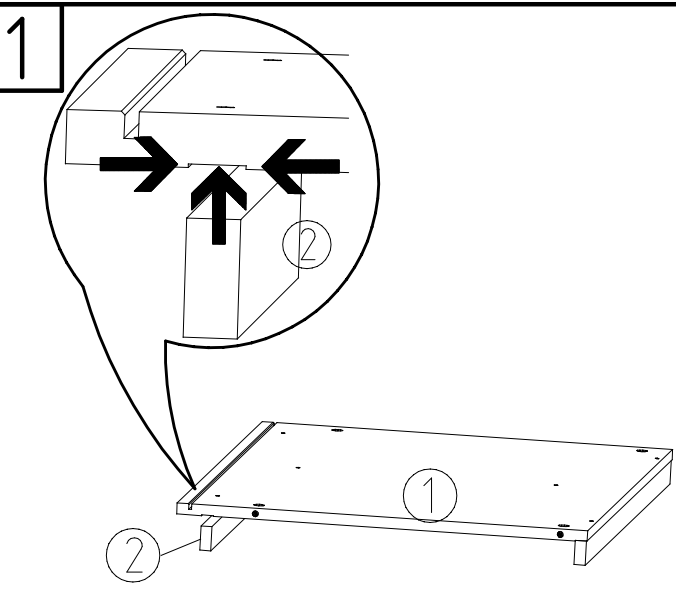
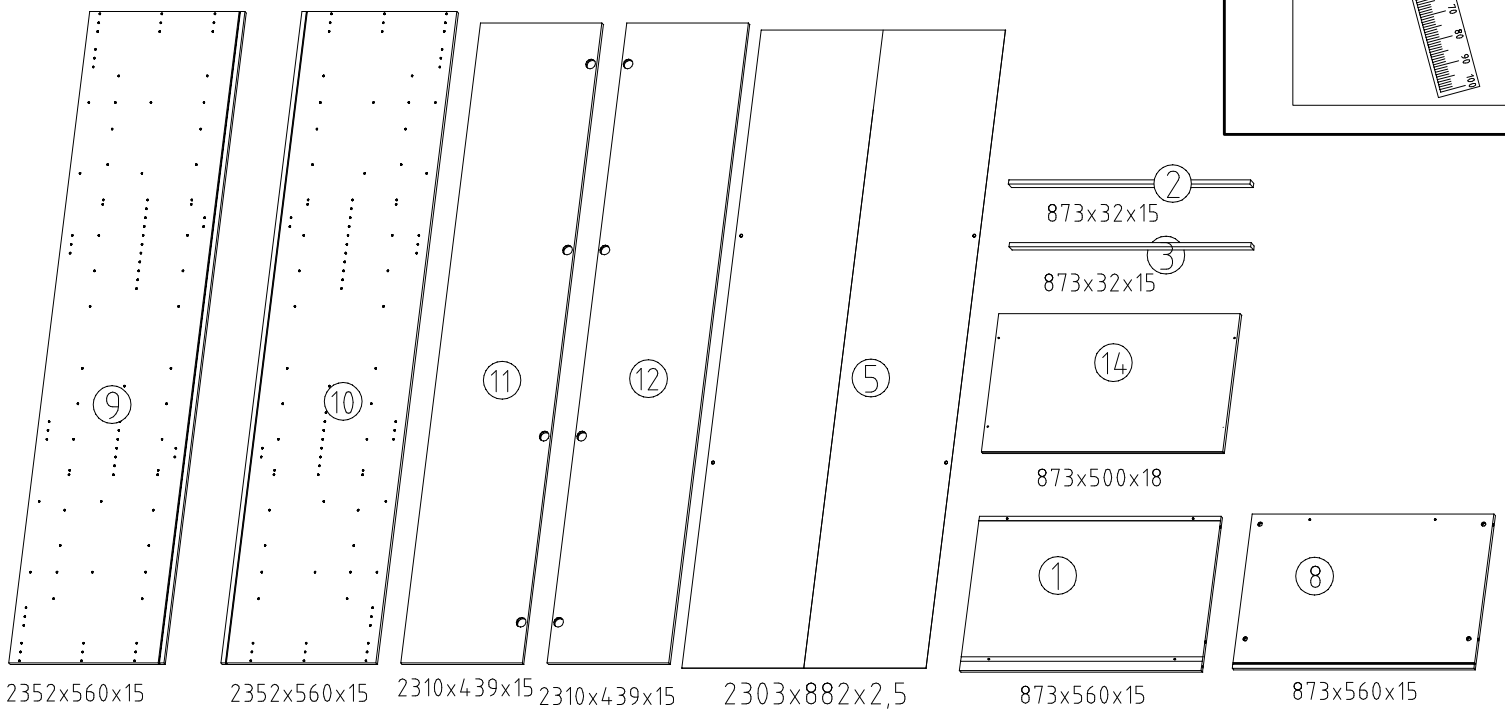
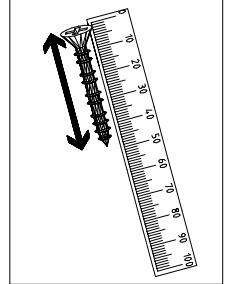
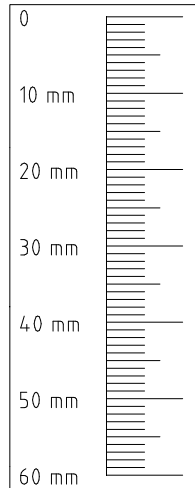
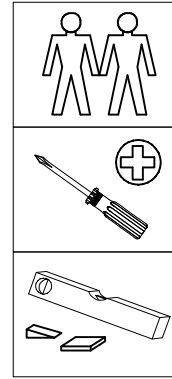
04 16

1/7

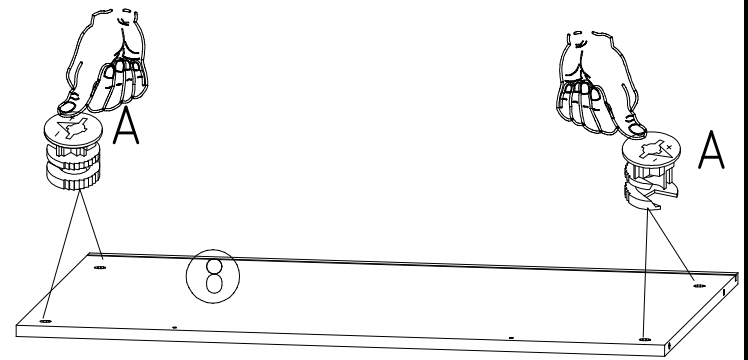
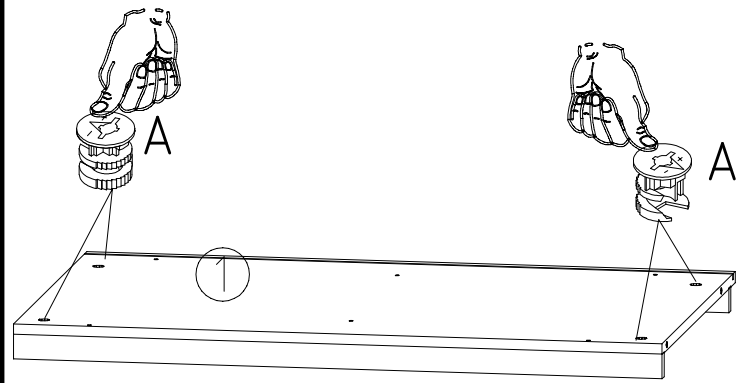
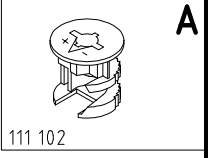
	<b>A</b>	8x
	<b>L7</b>	4x
	<b>J1</b>	4x
	<b>K20</b>	1x

	<b>C</b>	8x
	<b>T6</b>	4x
	<b>G1</b>	6x
	<b>K1</b>	2x

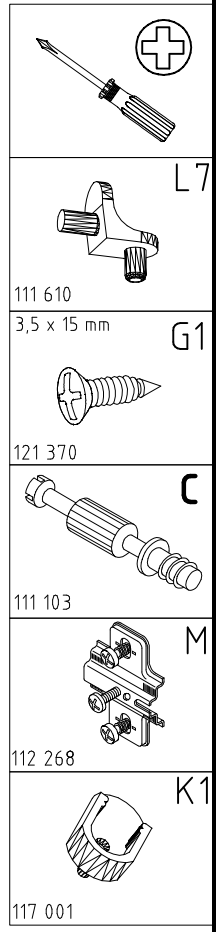
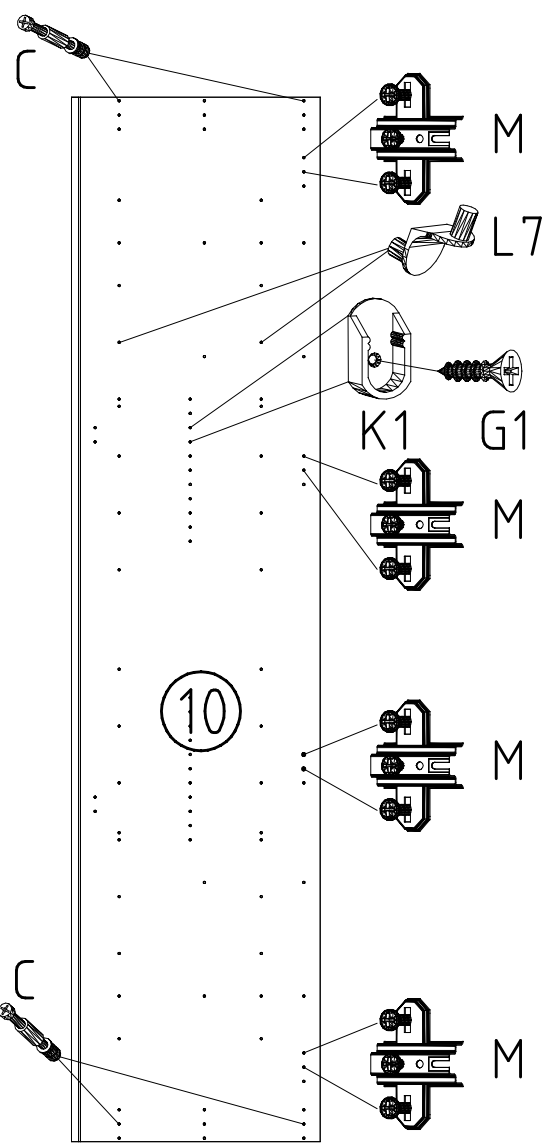
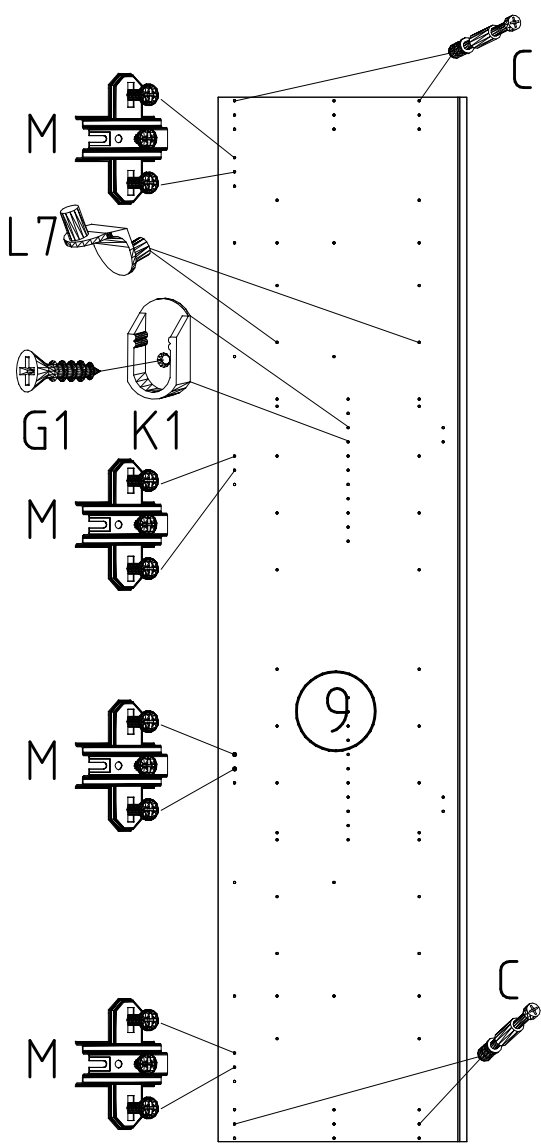
	<b>G14</b>	4x
	<b>M</b>	8x
	<b>N</b>	8x
	<b>SBV</b>	4x



3



4



**5**

9

1

+

**6**

7

9

1

+

3,5 x 15 mm G1  
121 370

J1  
111 174  
M6 x 11 mm T6  
121 181

**7**

8

9

+

**8**

1

9

+

**9**

14

K20

870mm K20  
112 402

**10**

SBV

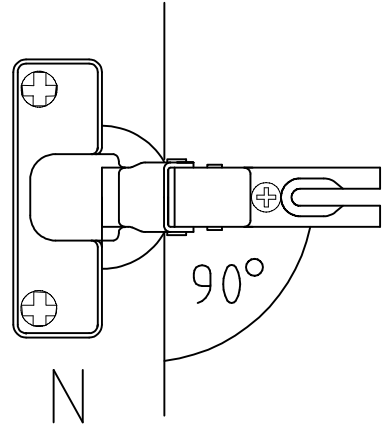
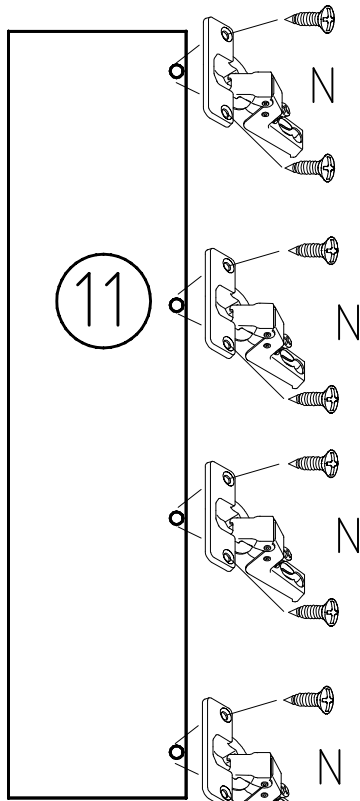
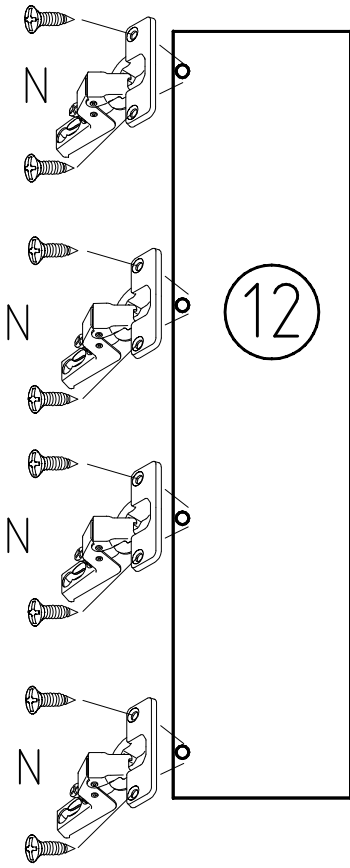
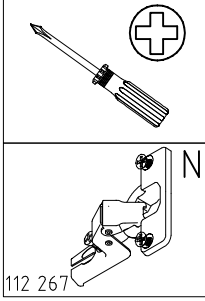
SBV

ca 150

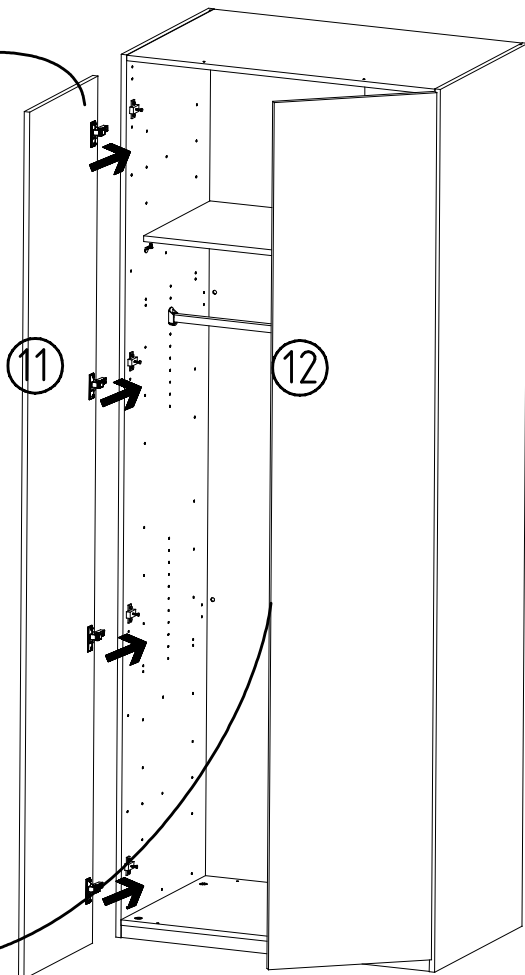
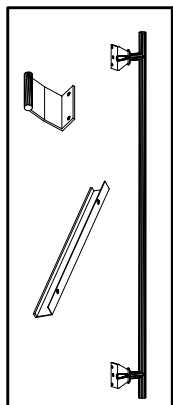
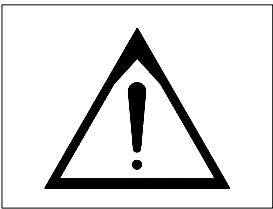
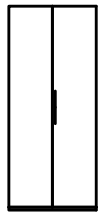
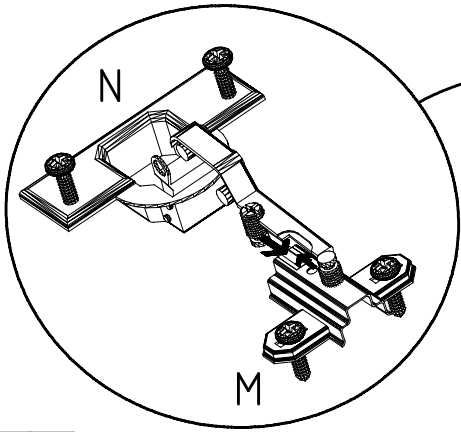
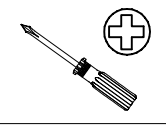
ca 150

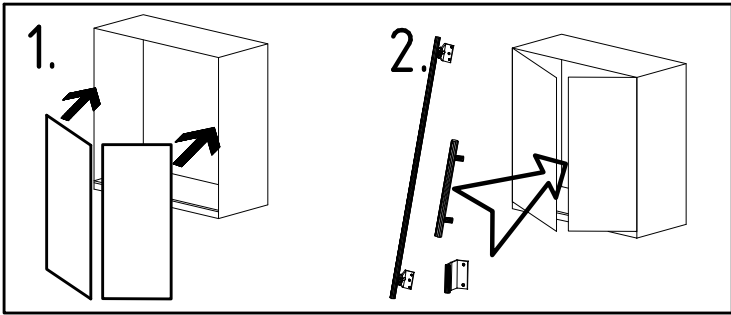
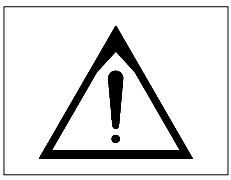
SBV

11

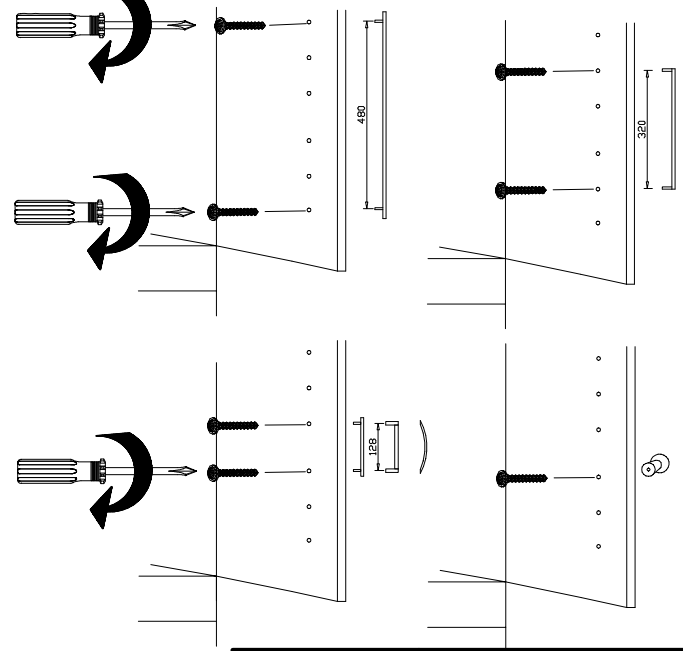
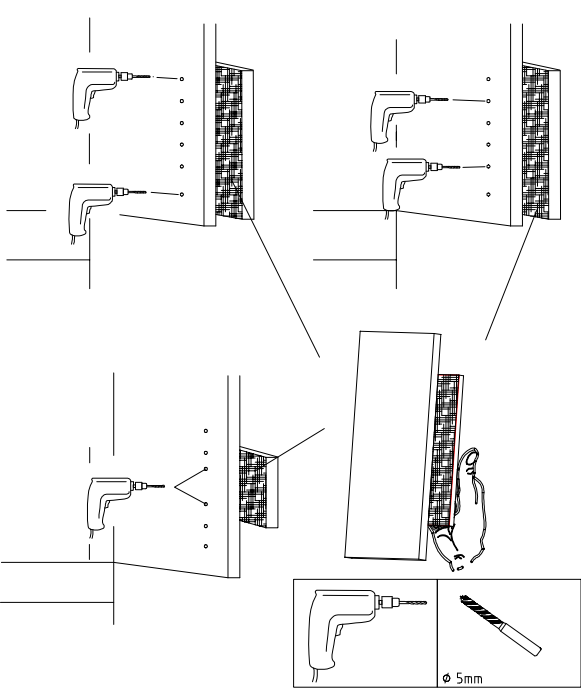
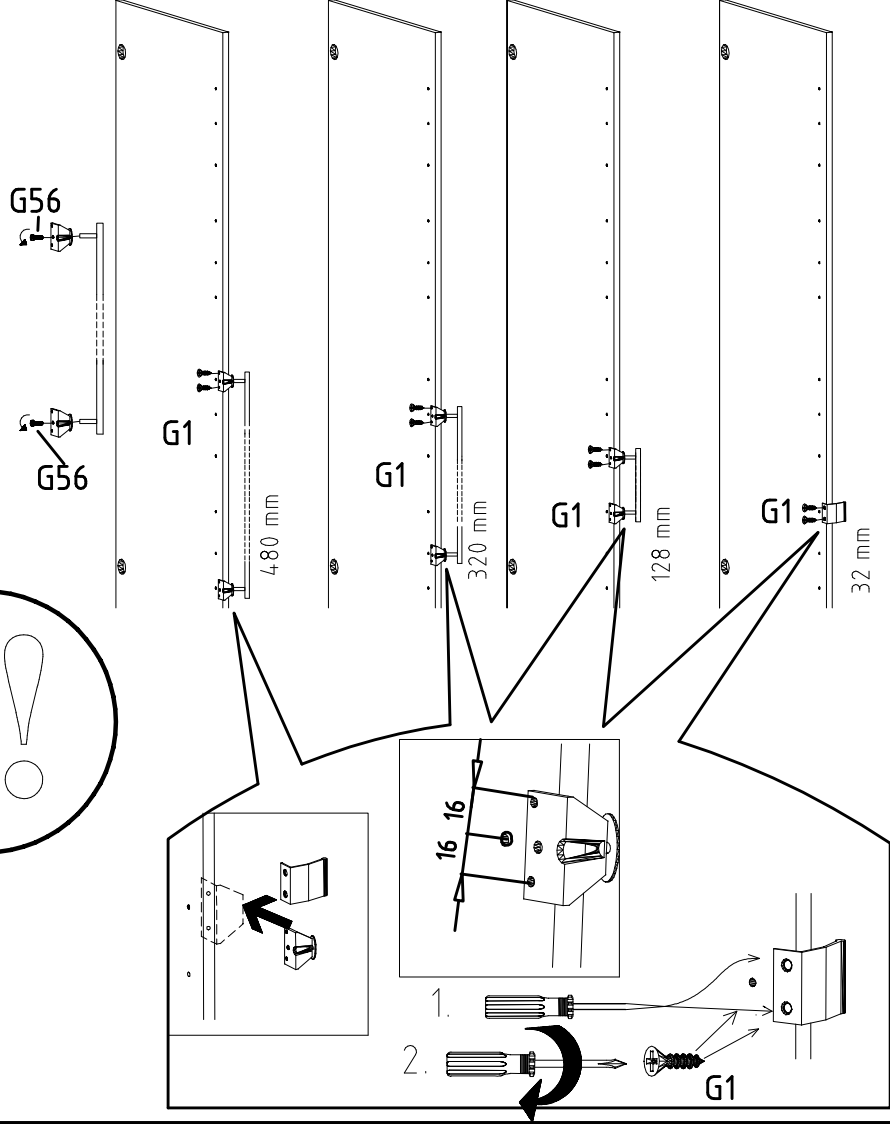
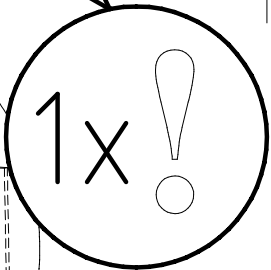
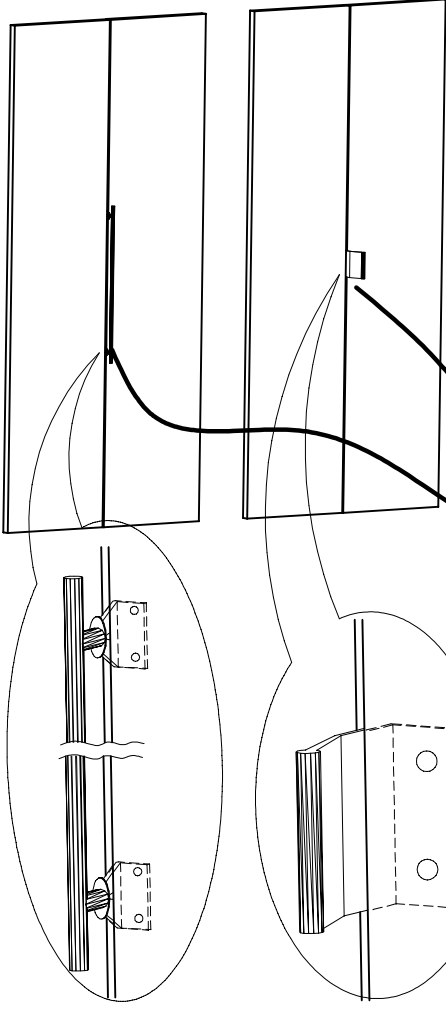


12





3,5 x 15 mm 121 370 	G1 4,0 x 12 mm 122 625 	G56
----------------------------	----------------------------------	-----



<b>SP27</b> 4 X 27mm 122620 4,0x22 G49 
122 609 

