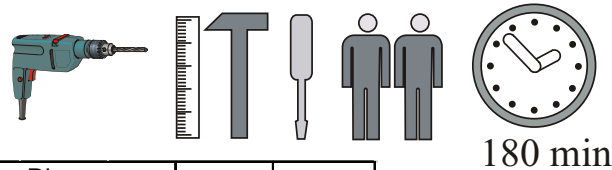
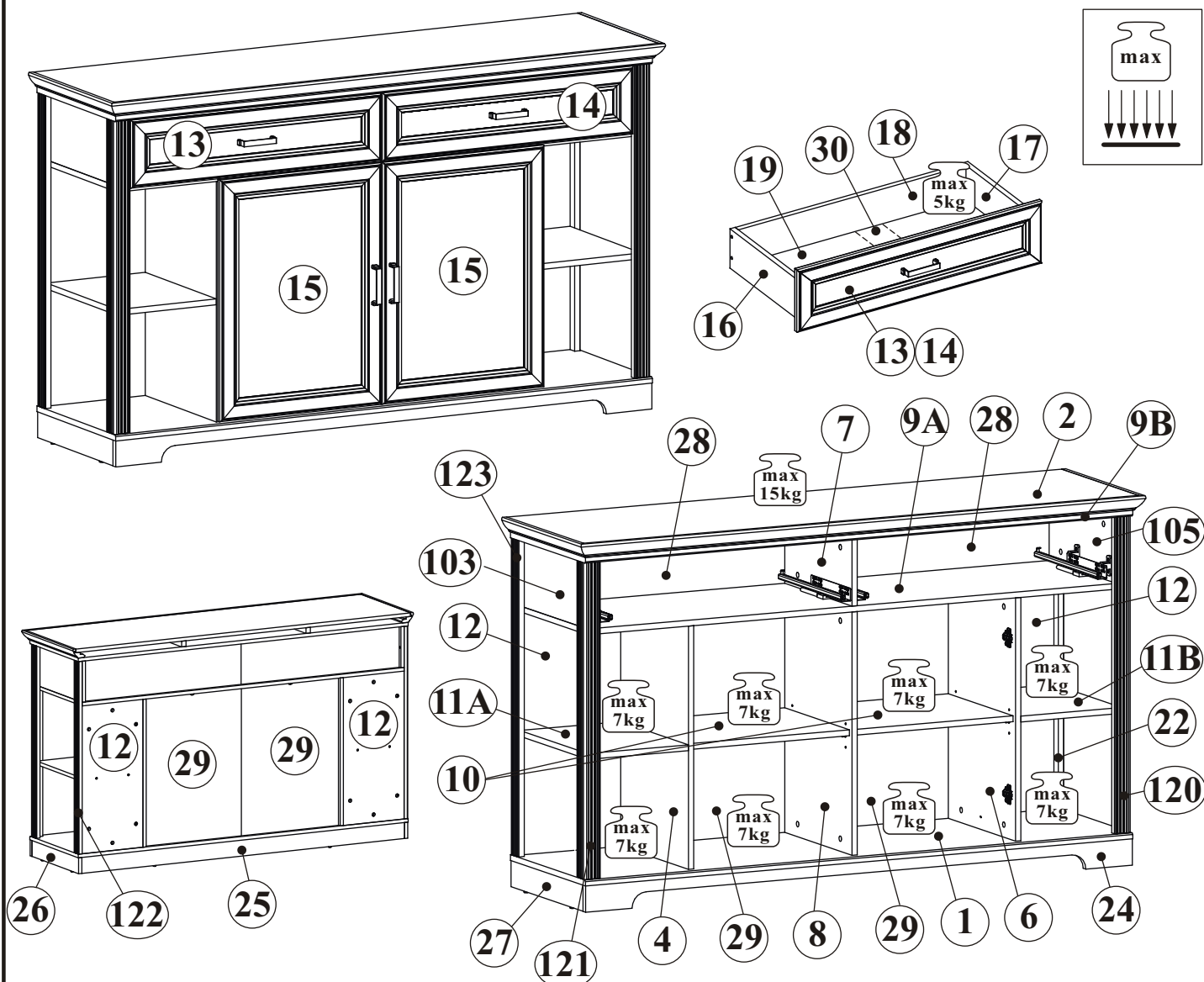
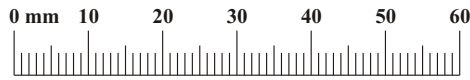


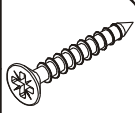

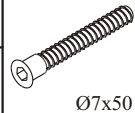

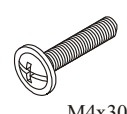




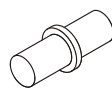

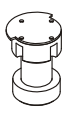
JASMIN 10G9_21

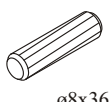



NO	Dim.			Col.-No	Qty
1	1650	450	16	2	1
2	1703	476	42	2	1
103	185	423	16	3	1
4	665	423	16	4	1
105	185	423	16	3	1
6	665	423	16	4	1
7	185	403	16	3	1
8	665	403	16	3	1
9A	1610	423	16	3	1
9B	1650	450	16	2	1
10	477	388	16	1	2
11A	304	406	16	1	1
11B	304	406	16	1	1
12	665	304	16	1	2
13	770	188	22	4	1
14	770	188	22	4	1


NO	Dim.			Col.-No	Qty
15	668	496	22	4	2
16	350	120	16	1	2
17	350	120	16	1	2
18	716	106	16	1	2
19	354	728	3	1	2
120	866	49	49	3	1
121	866	49	49	3	1
122	866	43	19	3	1
123	866	43	19	3	1
24	1648	72	16	3	1
25	1614	72	16	3	1
26	433	72	16	1	1
27	433	72	16	1	1
28	795	195	3	1	2
29	675	491	3	1	2
30	349	80	16	4	2




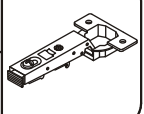
D24 x4	 USØ4x30	G12 x13	 Ø14
B11 x24	 Ø7x50	B14 x9	 Ø7x30
D4 x4	 M4x30	G4 x16	
EK6 x8	 EKØ6,3x13	UP6 x4	 UPØ4x30
UP13 x17	 UPØ3x16	G7 x8	
UP9 x12	 UPØ3,5x16	I9 x3	 H-60 mm.

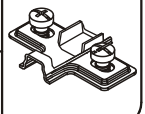
A1 x51	 Ø8x36
-----------	--

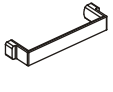
B4 x50	
-----------	---


B5 x54	 Ø15x12
-----------	---


G5 x54	
-----------	--


E7 x4	
----------	---


E8 x4	
----------	---

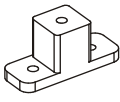
C19 x4	
-----------	---

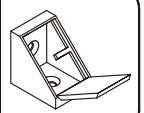
D34 x4	 M4x16
-----------	---


QU x2	 L-350
----------	--

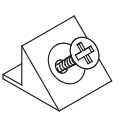
D20 x8	 ESØ6,3x9,5
-----------	---

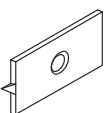
D10 x22	 USØ3,5x13
------------	--


H1 x4	
----------	--

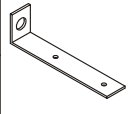
KM1 x3	
-----------	---

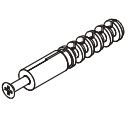
I2 x6	
----------	---


S1 x28	
-----------	---

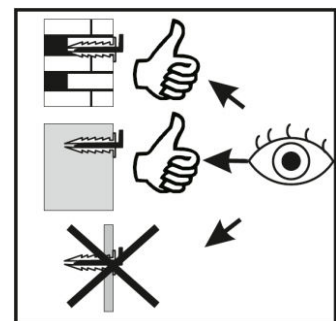
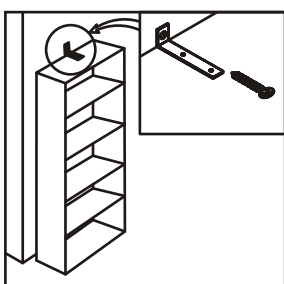
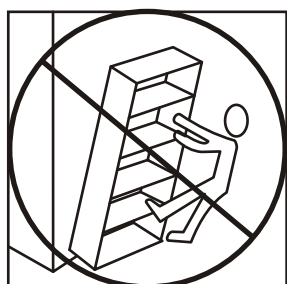
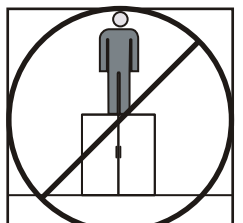
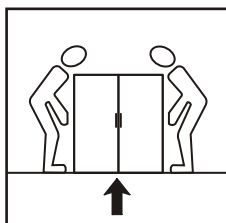
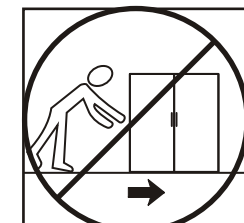
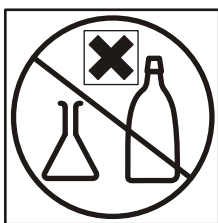
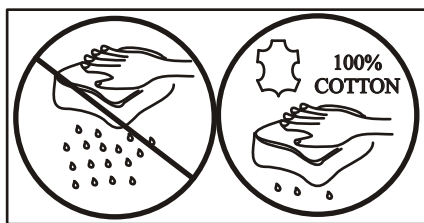
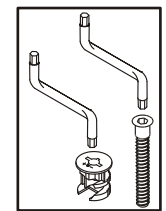
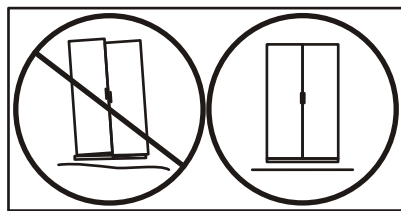
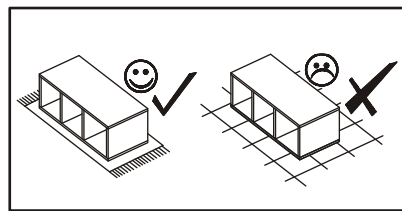
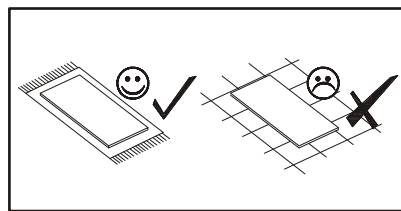
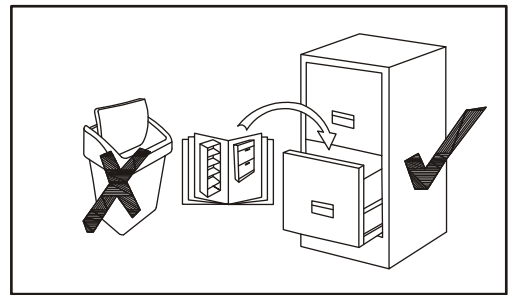
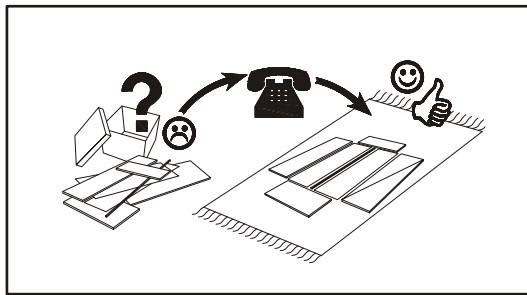
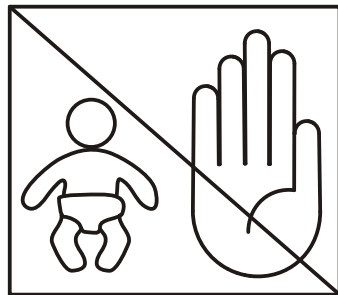
G16 x5	
-----------	--

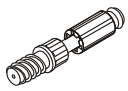
B6 x2	 Ø7x76
----------	---

L1 x2	
----------	--

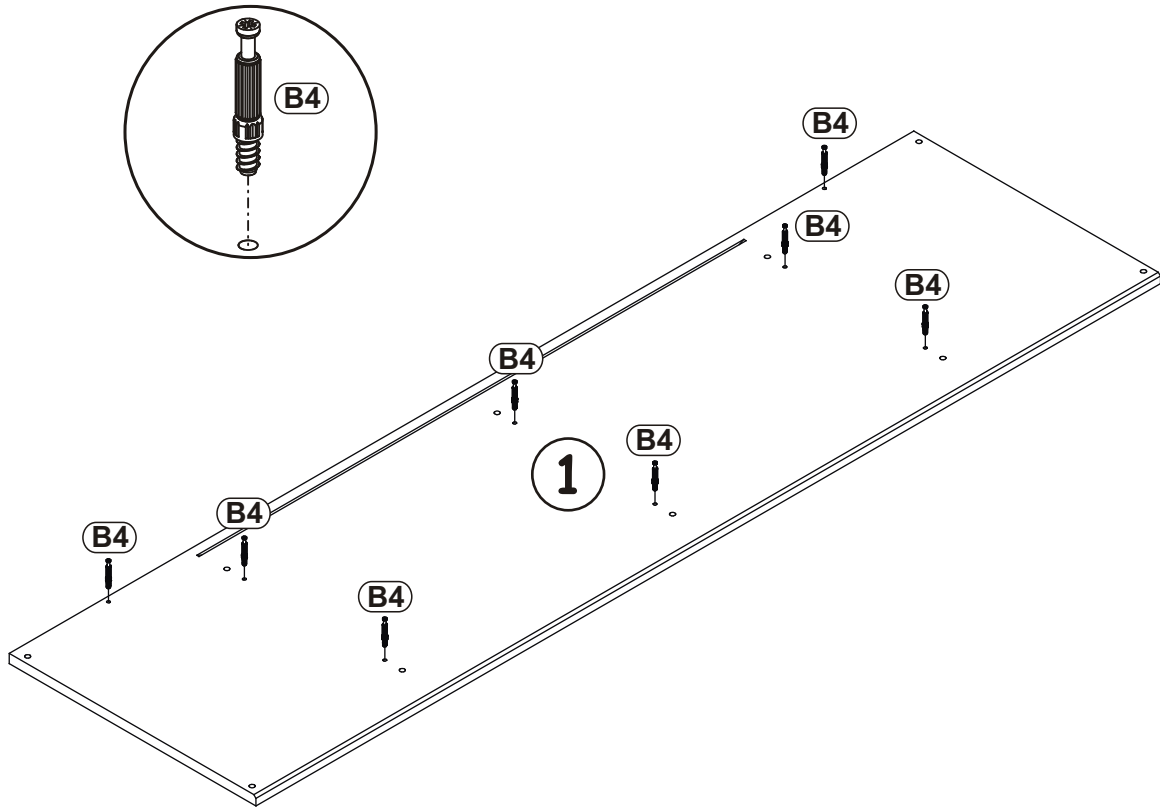
KR1 x2	
-----------	--

G2 x1	
----------	--

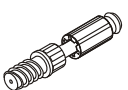


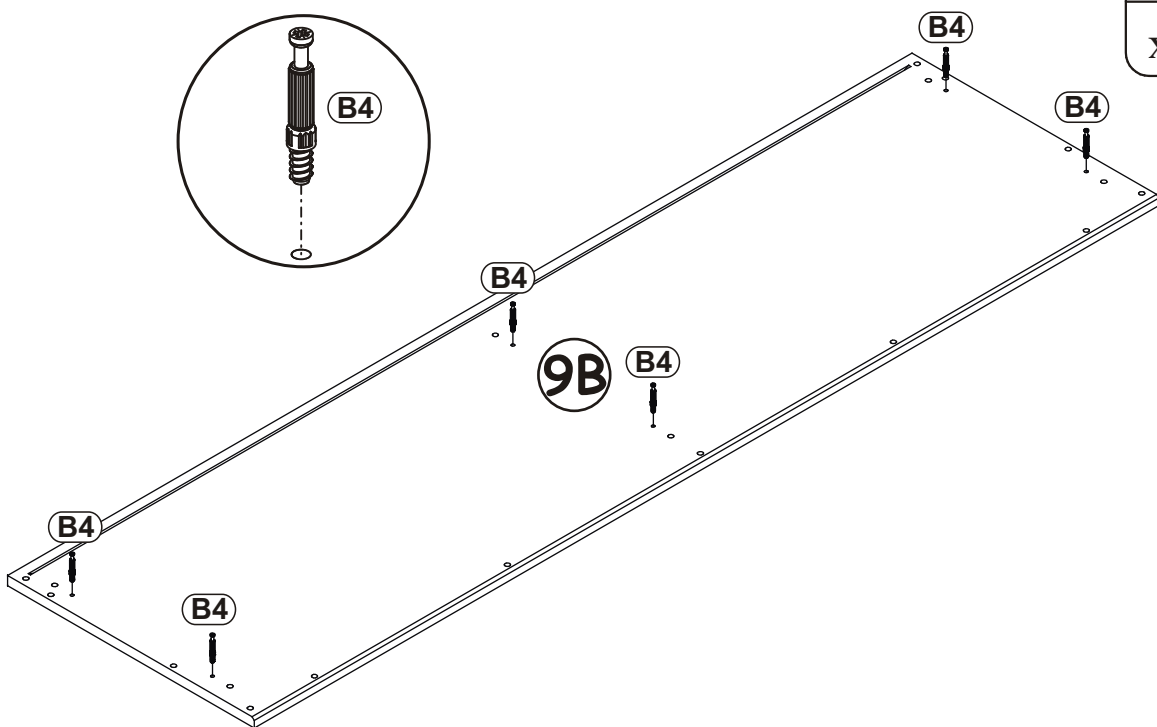
B4	
x8	

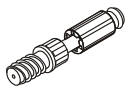
1



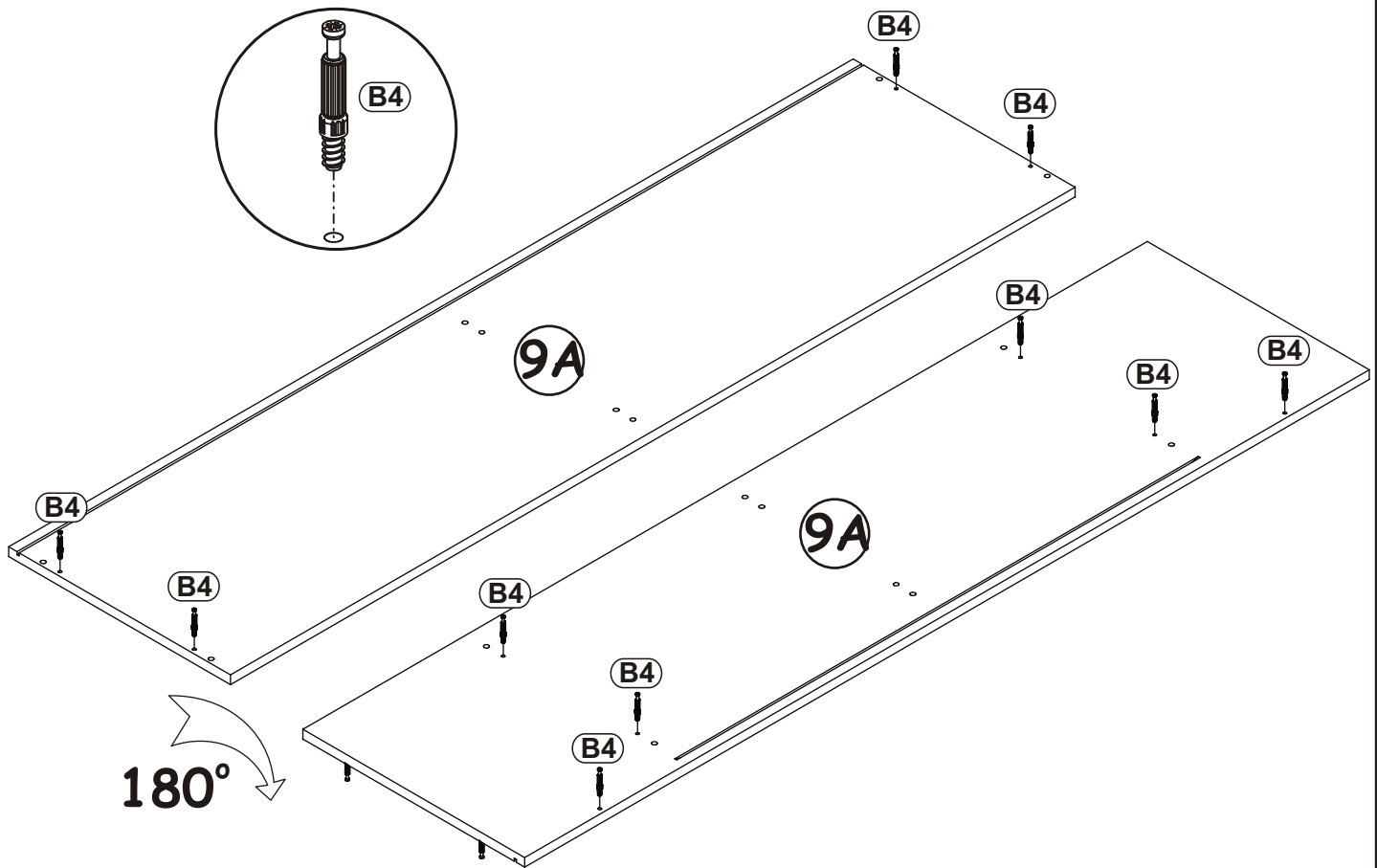
2

B4	
x6	




B4	
x10	

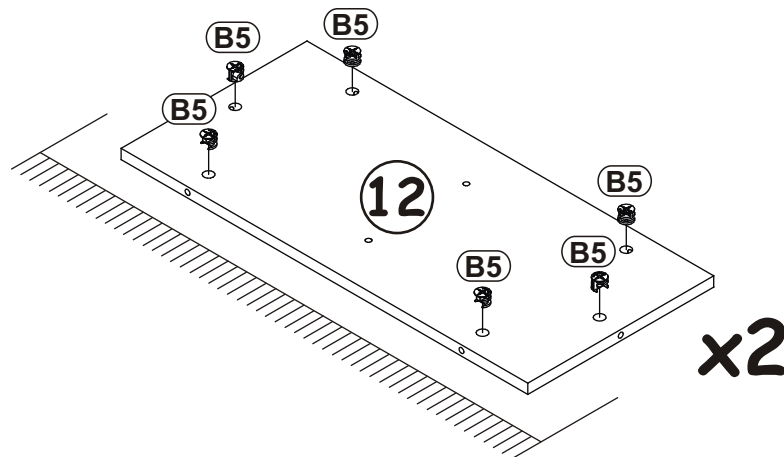
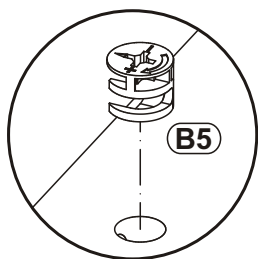
3



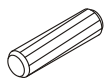
4


B5	
x12	

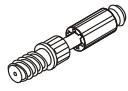
ø15x12

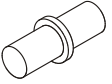


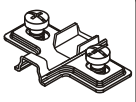
5

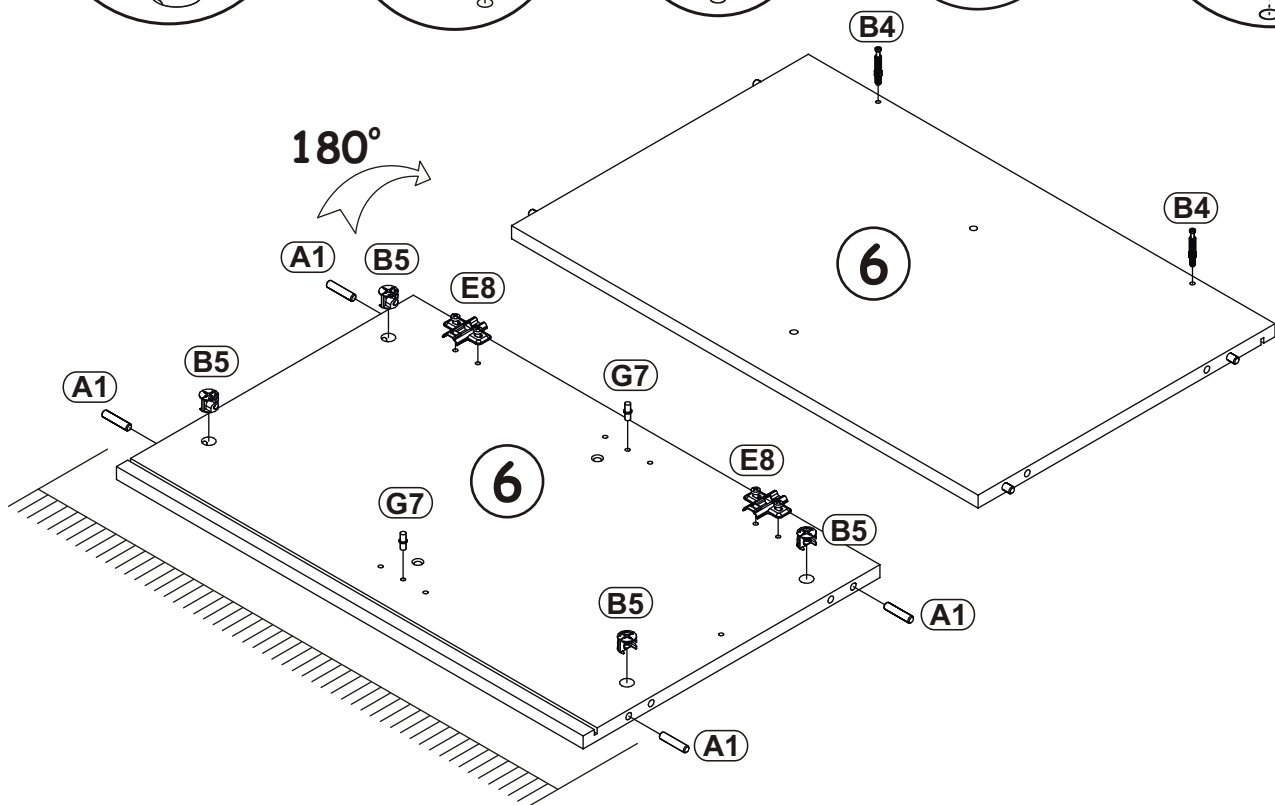
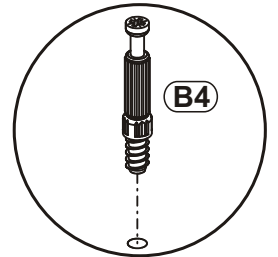
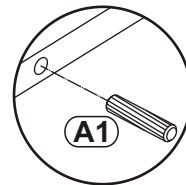
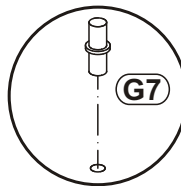
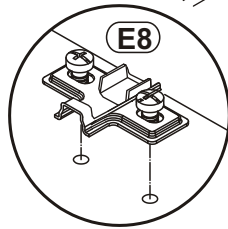
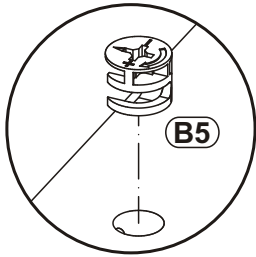
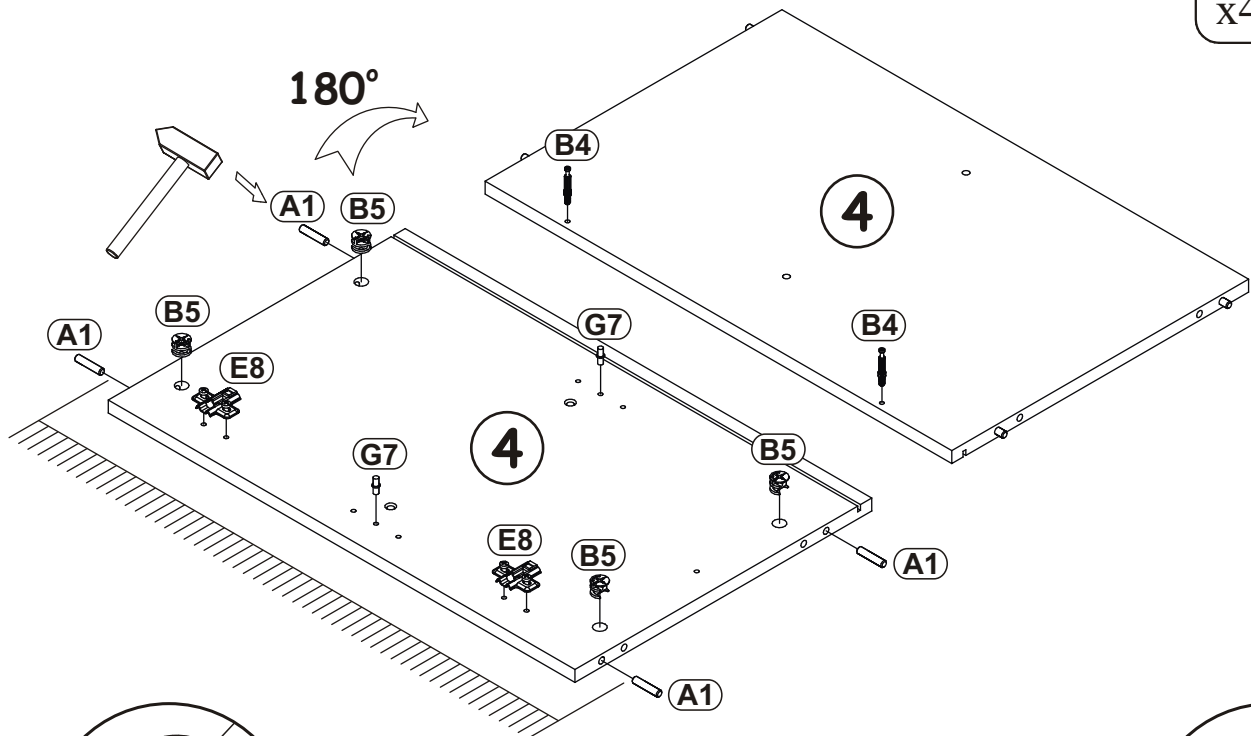
A1	
x8	ø8x36

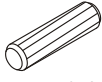
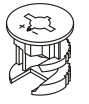
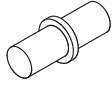
B5	
x8	ø15x12

B4	
x4	

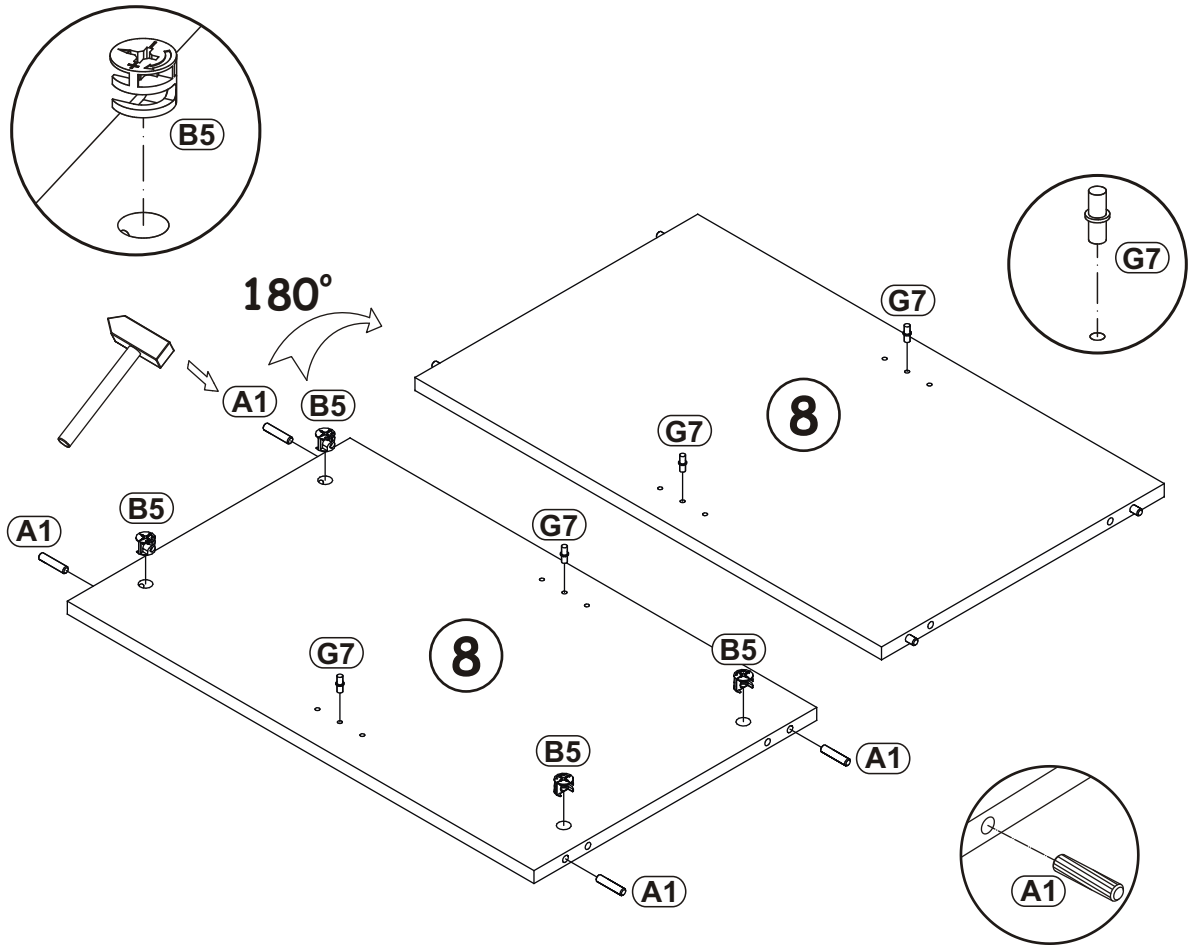
G7	
x4	

E8	
x4	

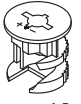


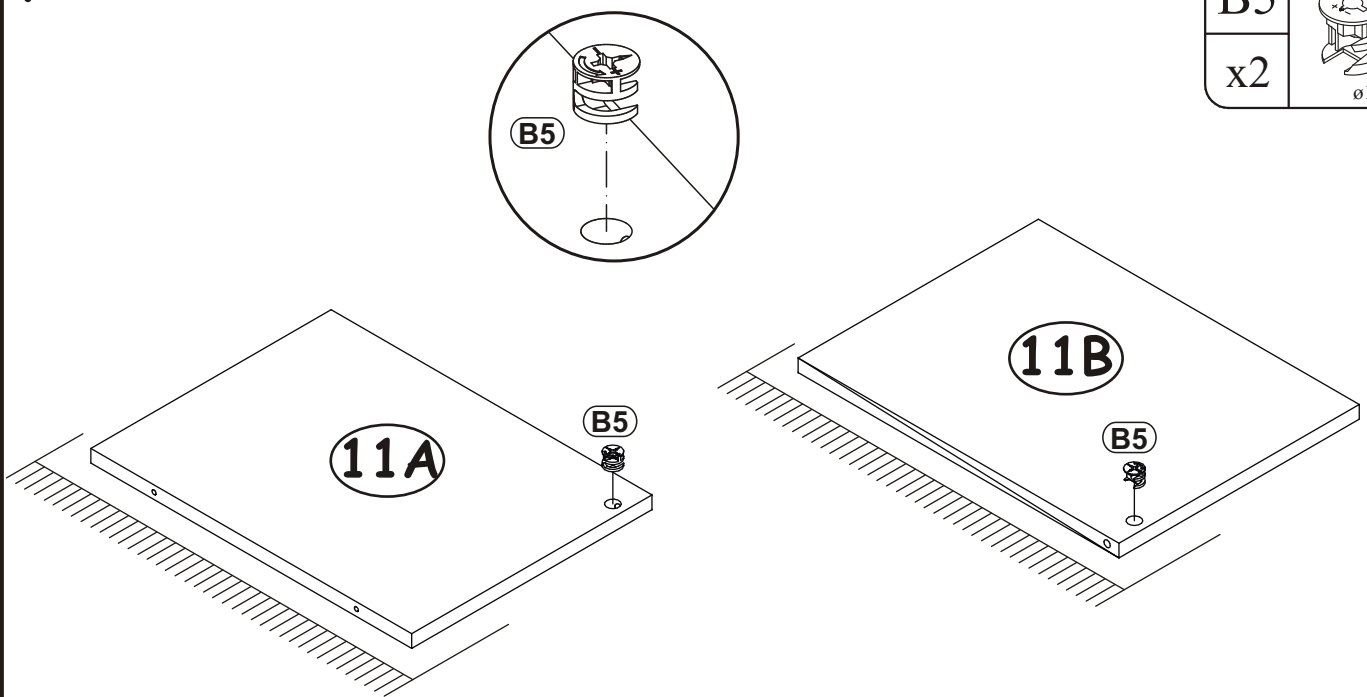
A1		B5		G7	
x4	ø8x36	x4	ø15x12	x4	

6



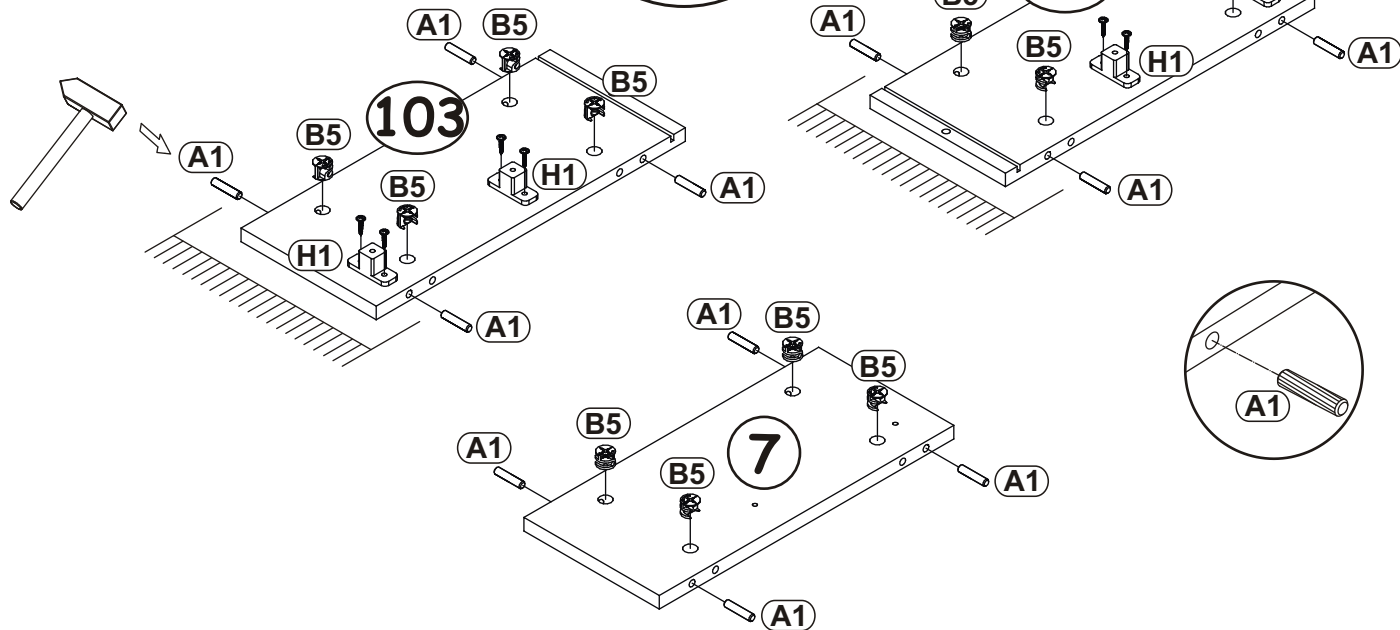
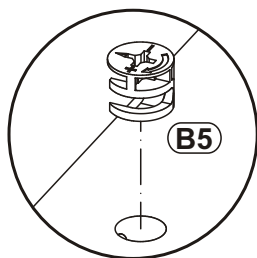
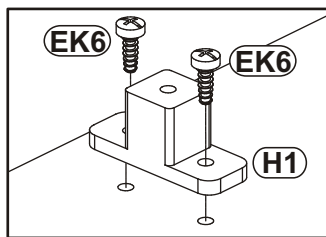
7

B5	
x2	ø15x12

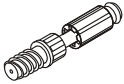


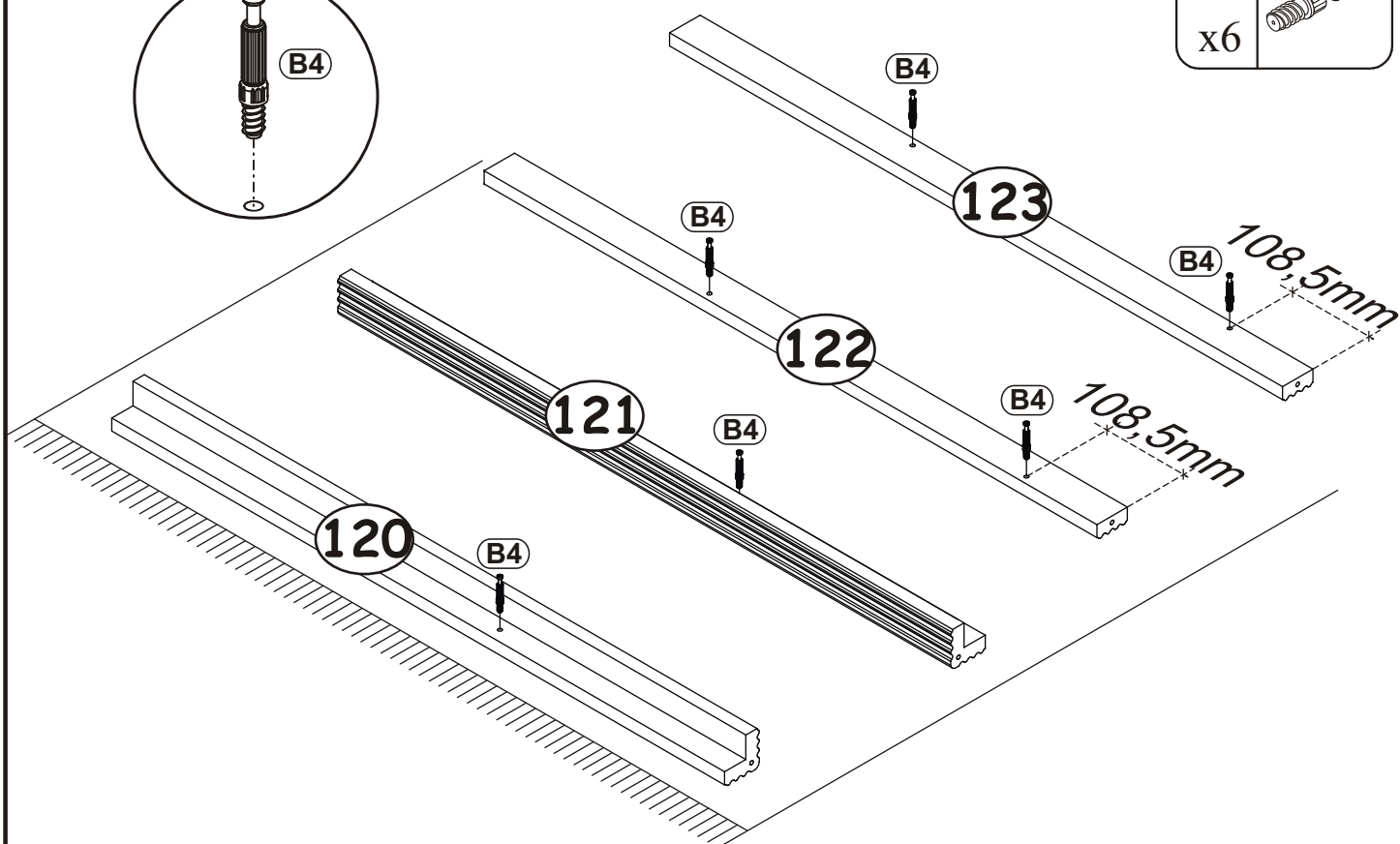
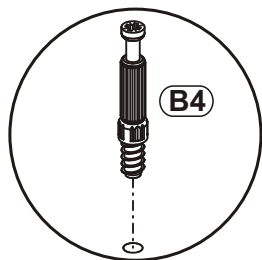
8

A1		B5		H1		EK6	
x12	ø8x36	x12	ø15x12	x4		x8	EK06,3x13

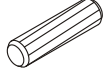


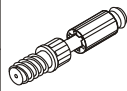
9


B4	
x6	

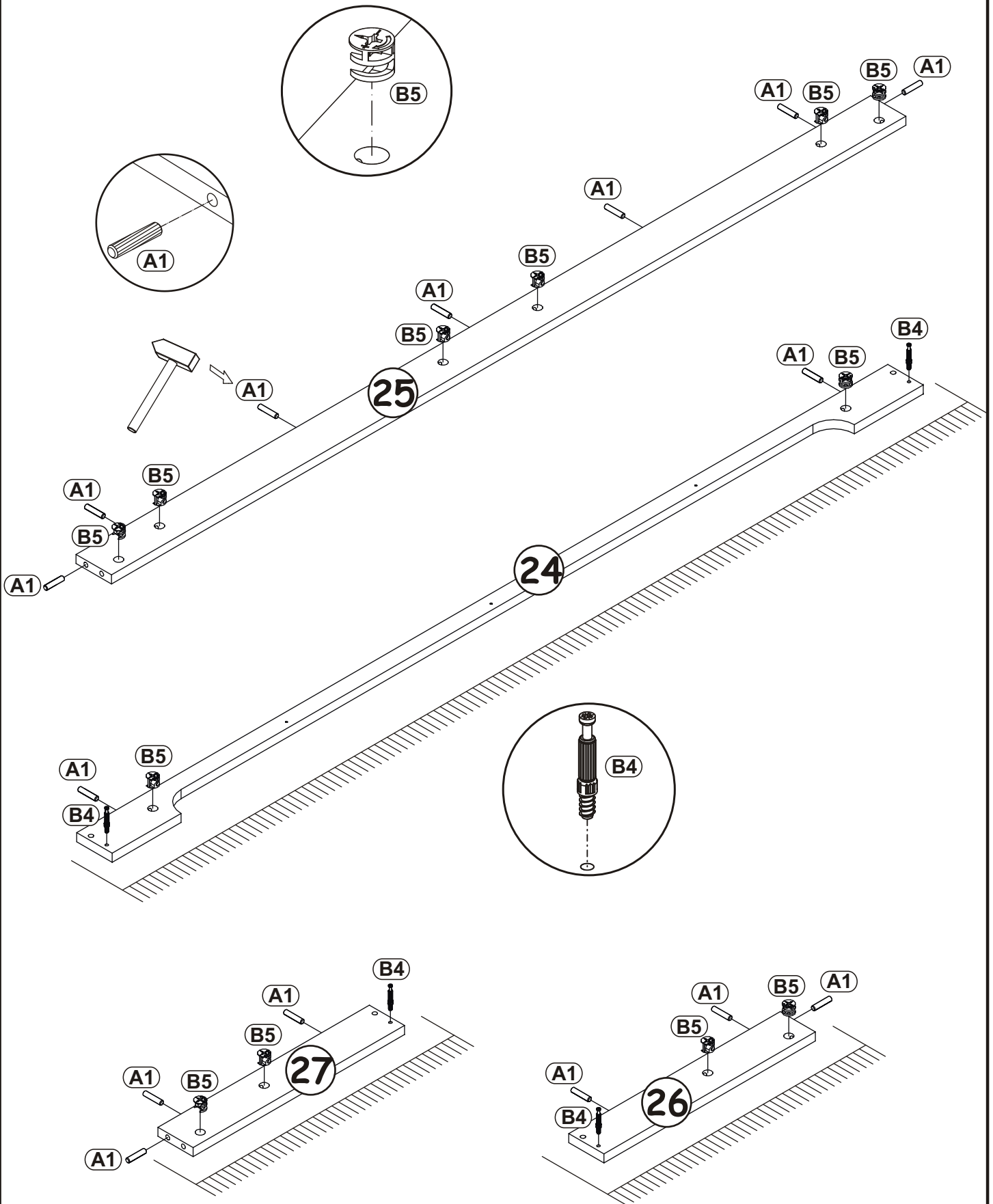


10

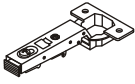
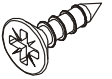
A1	
x15	ø8x36

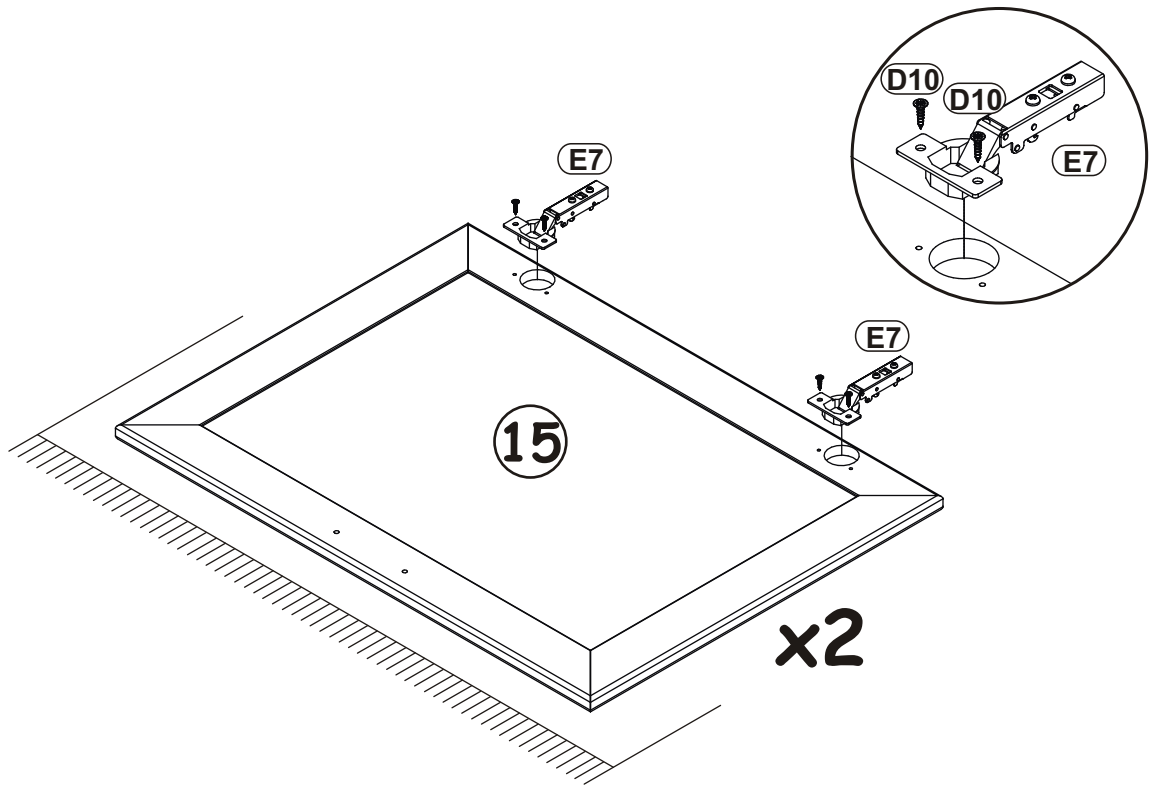
B4	
x4	

B5	
x12	ø15x12

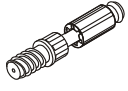


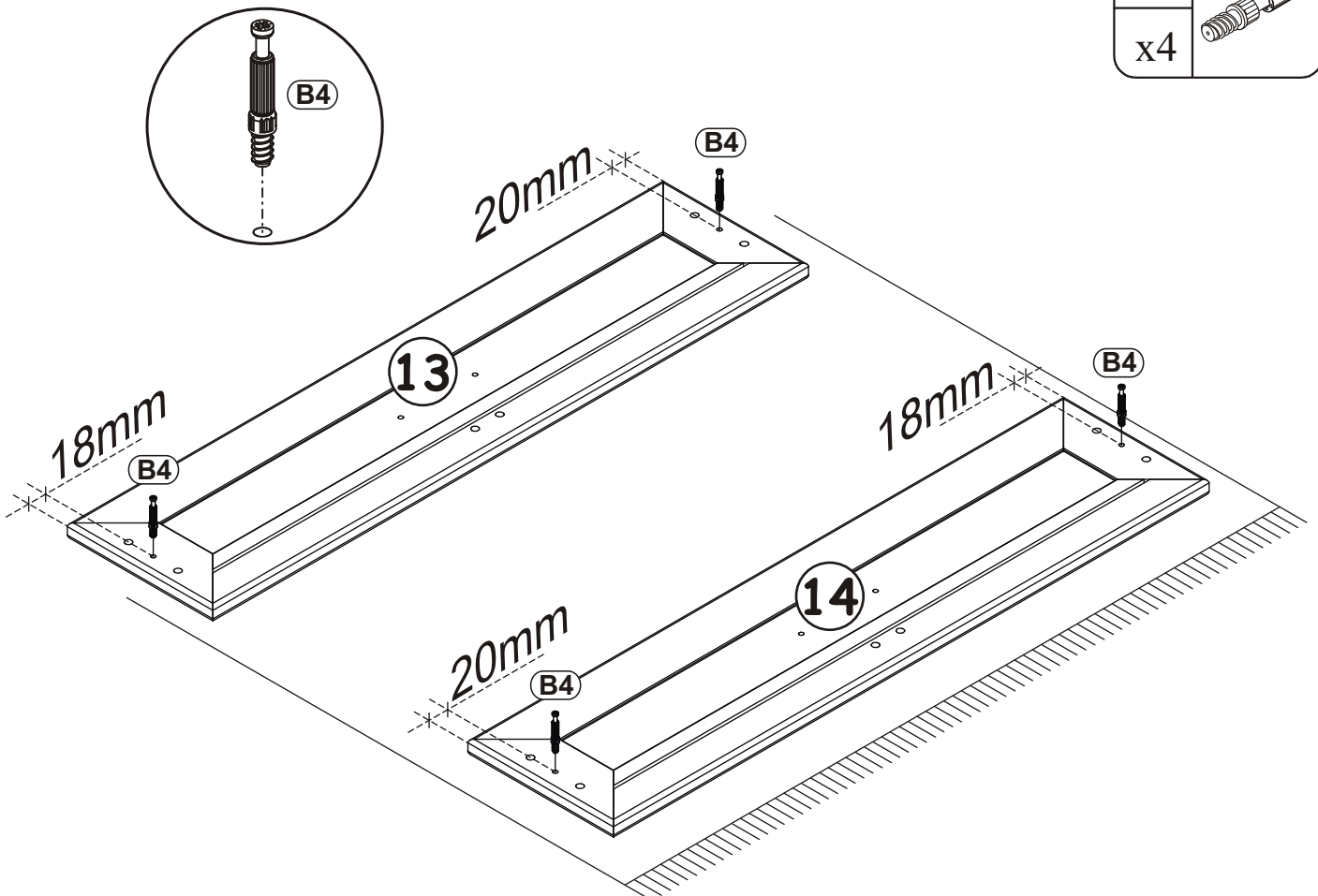
11

E7		D10	
x4		x8	USØ3,5x13

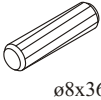
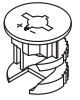


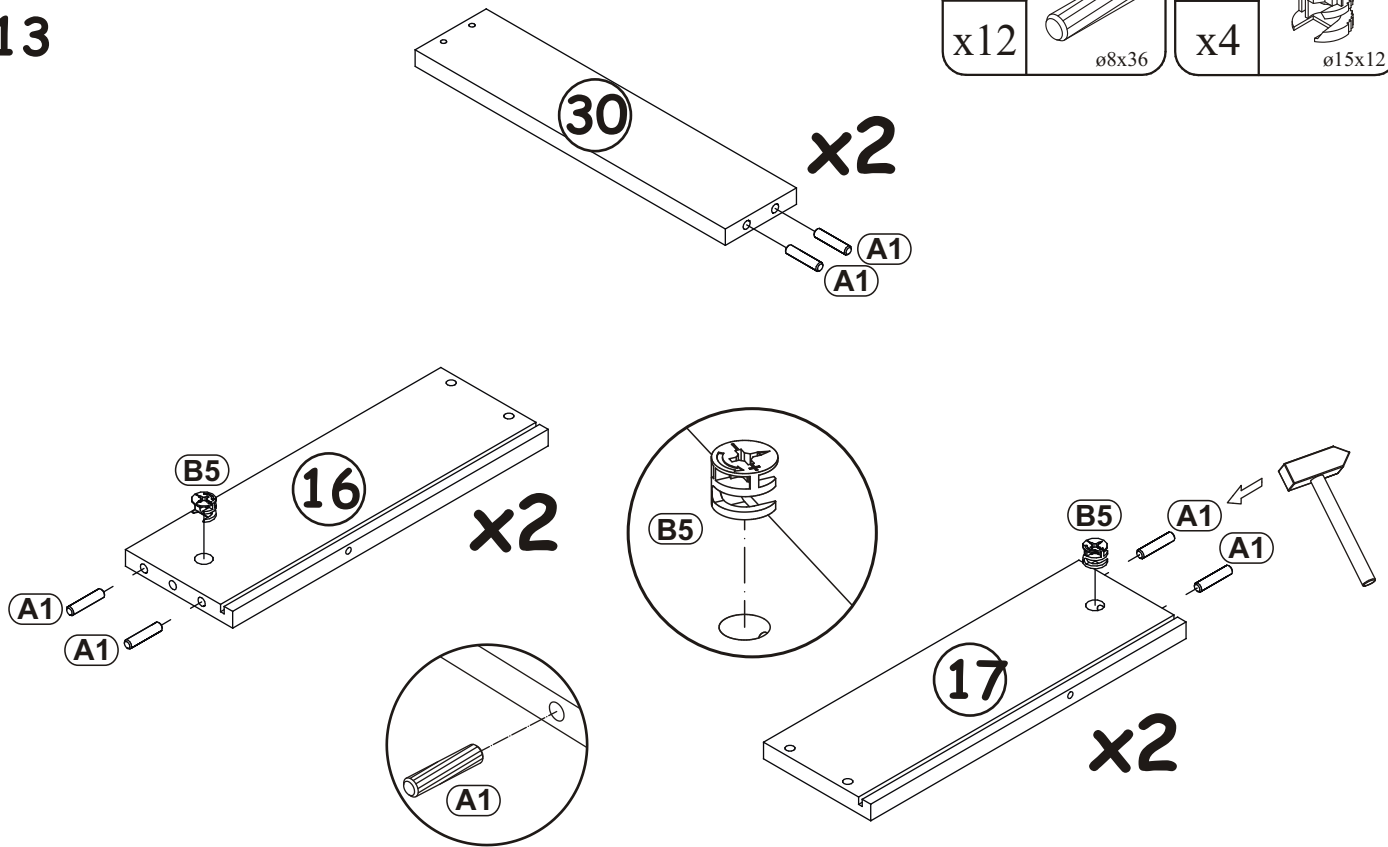
12

B4	
x4	





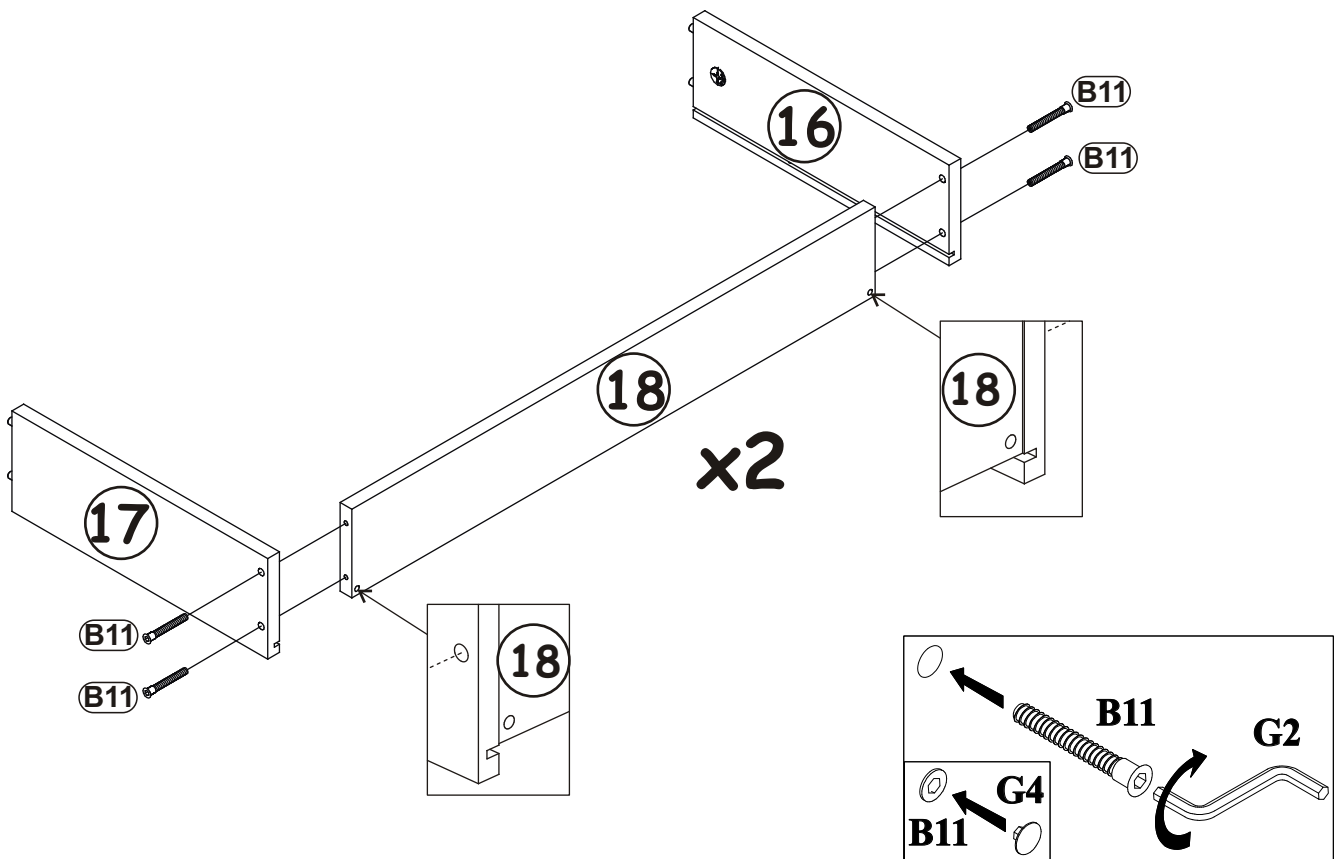
13


A1	 ø8x36	B5	 ø15x12
x12		x4	



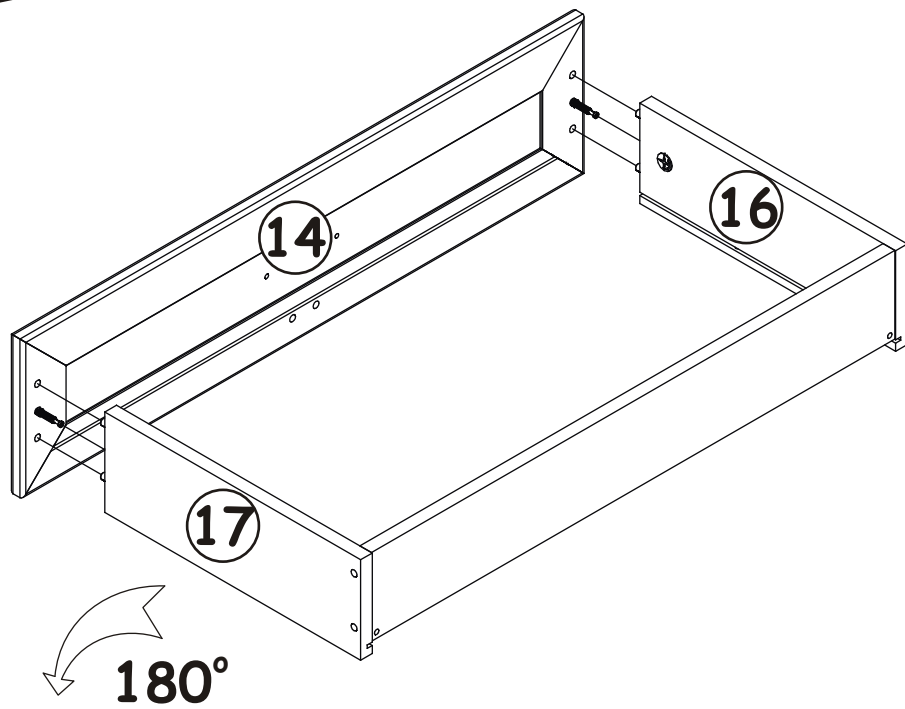
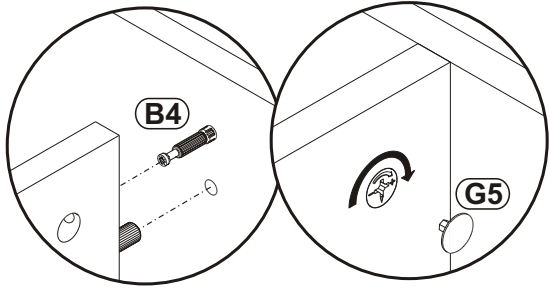
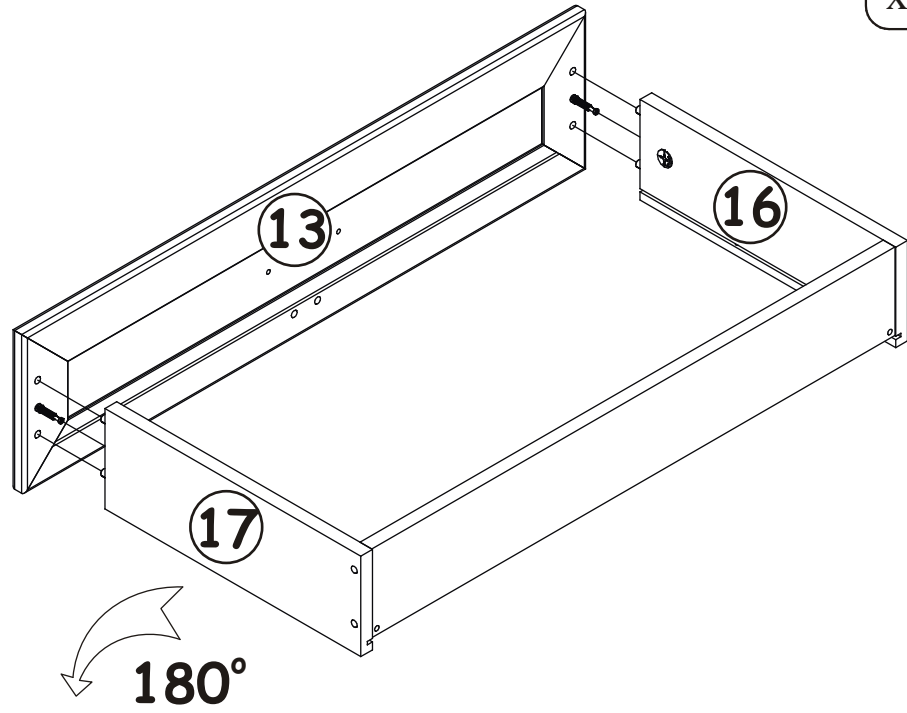
14

B11	 Ø7x50	G4	
x8		x8	

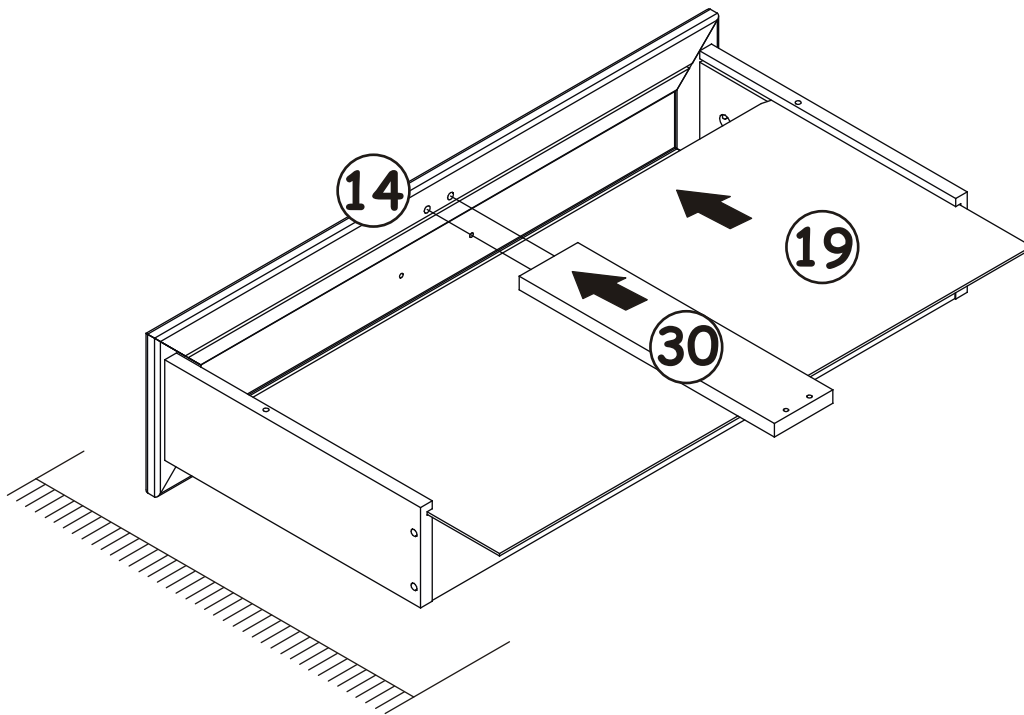
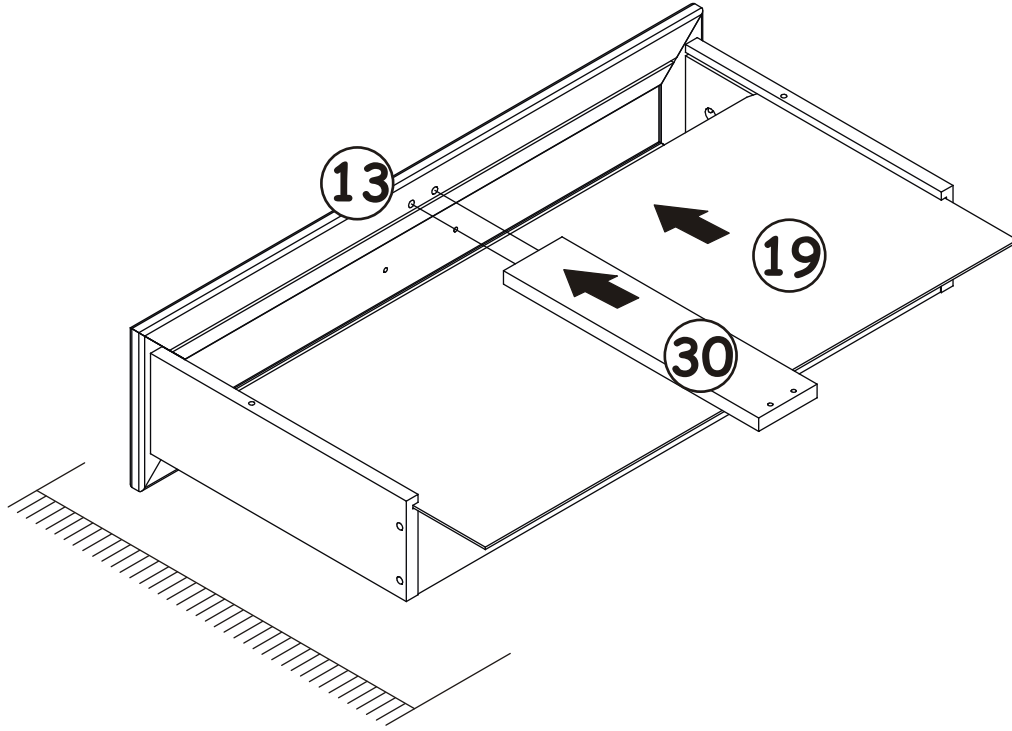


G5	
x4	

15

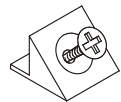



16

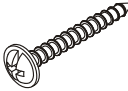


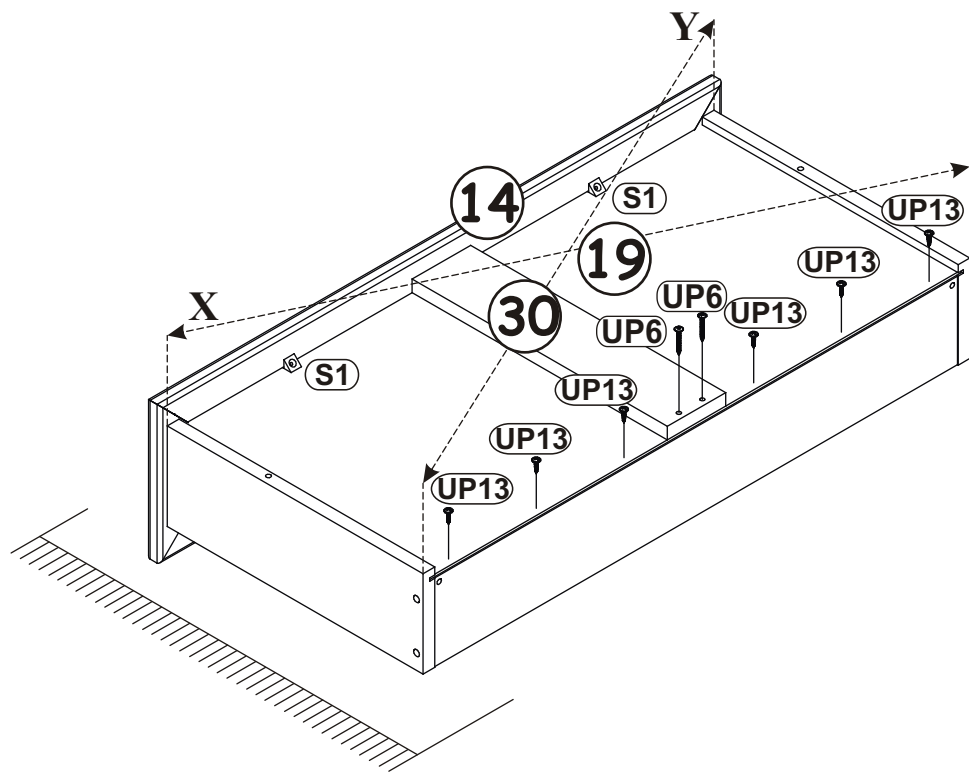
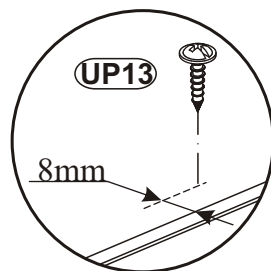
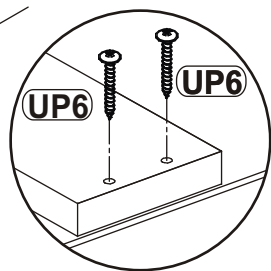
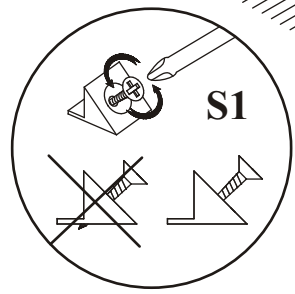
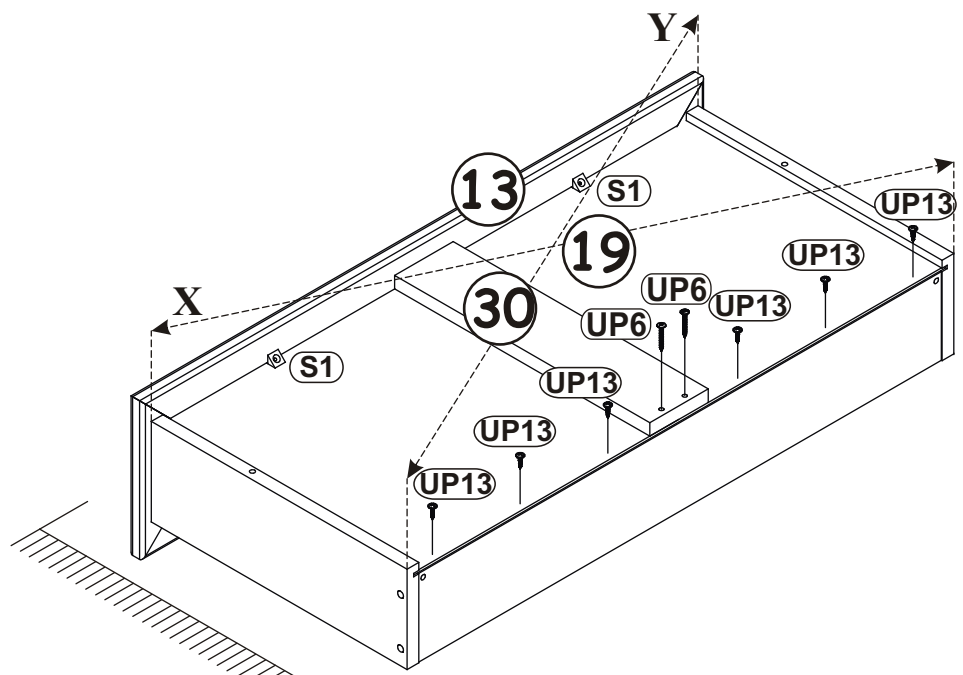
17

X=y 90°



S1	
x4	

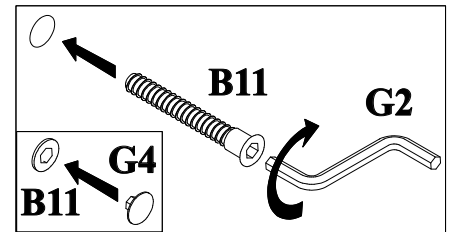
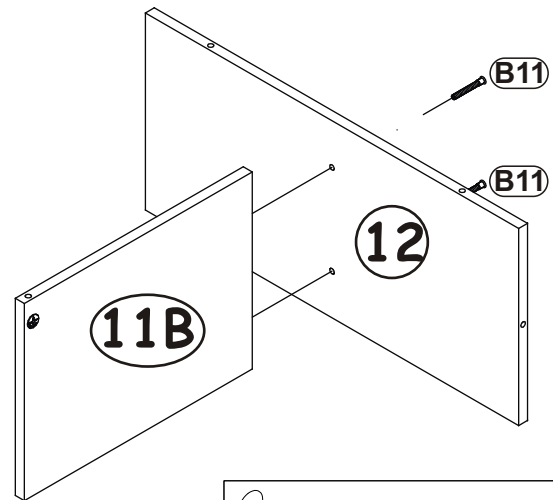
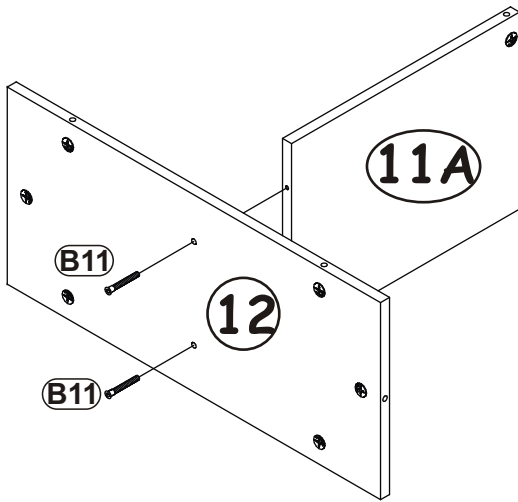
UP13	
x12	UP03x16

UP6	
x4	UP04x30

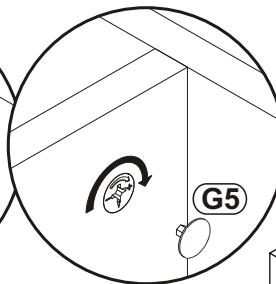
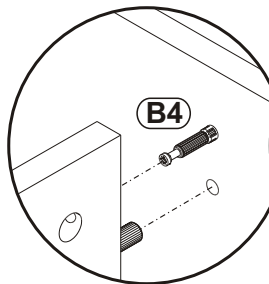
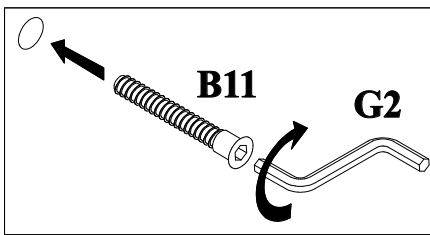




18

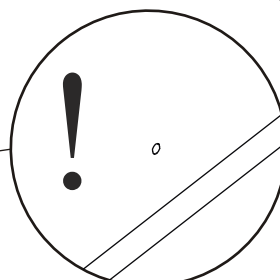
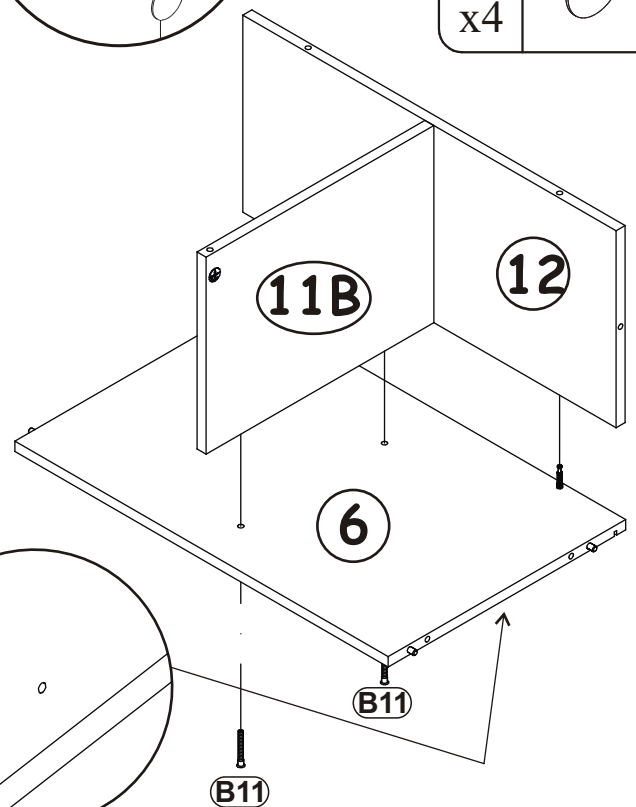
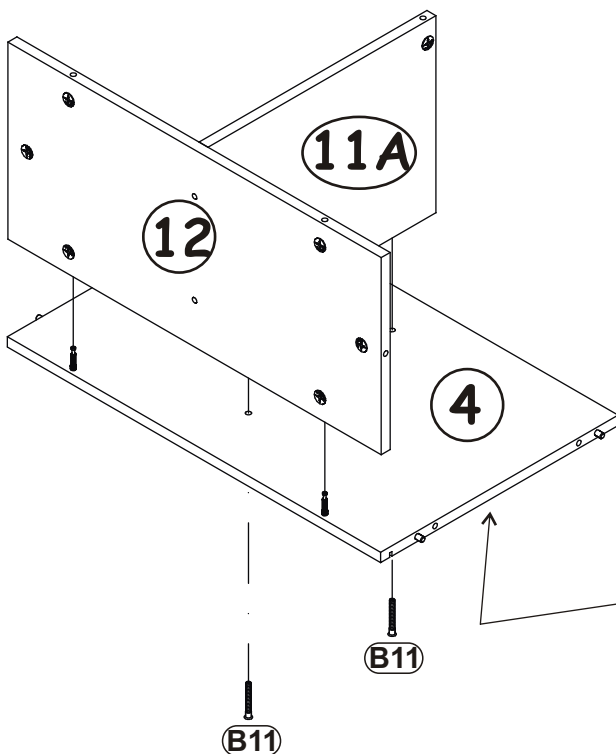
B11		G4	
x4	Ø7x50	x4	



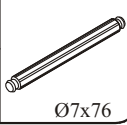
19

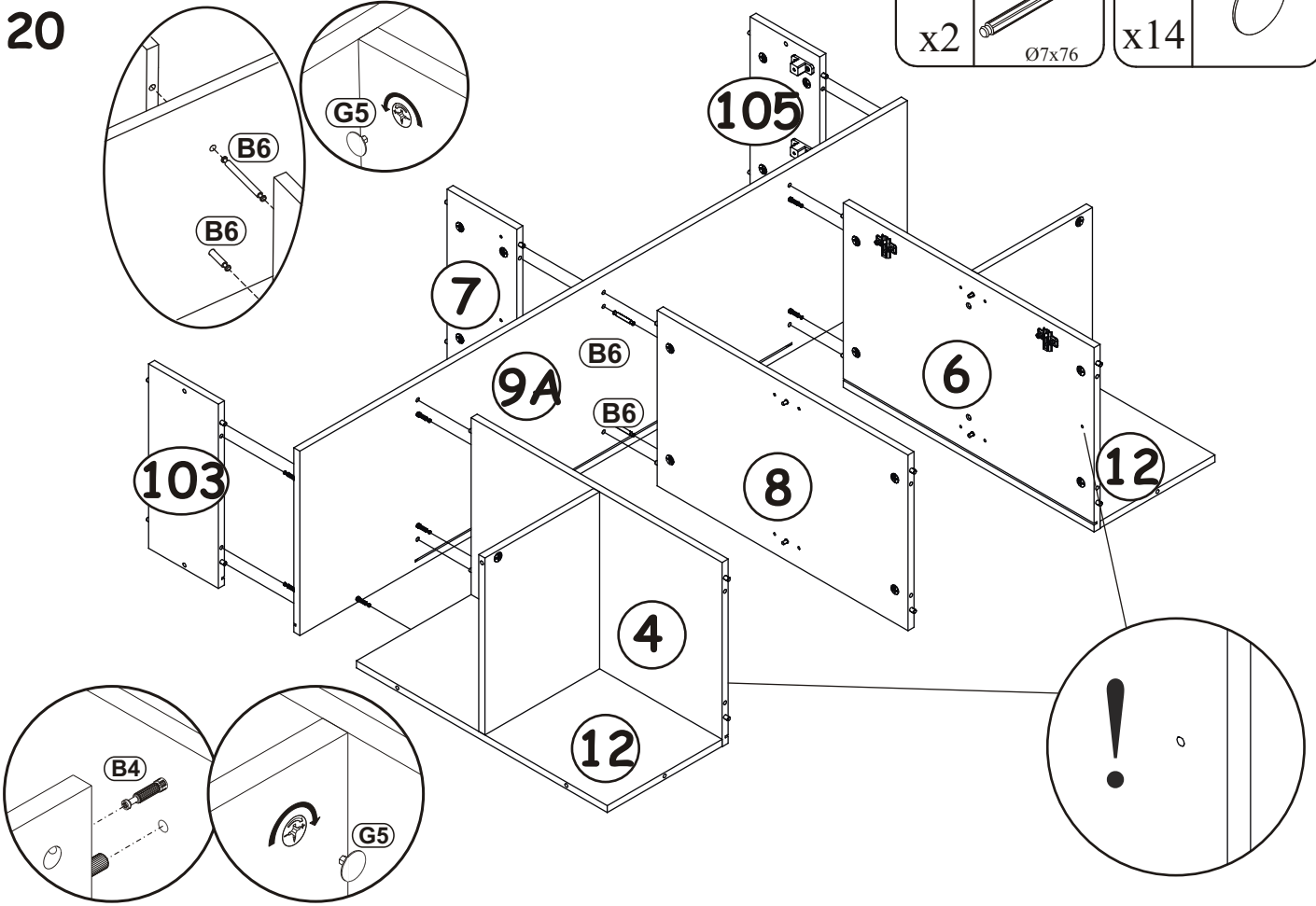


B11	
x4	Ø7x50
G5	
x4	




20

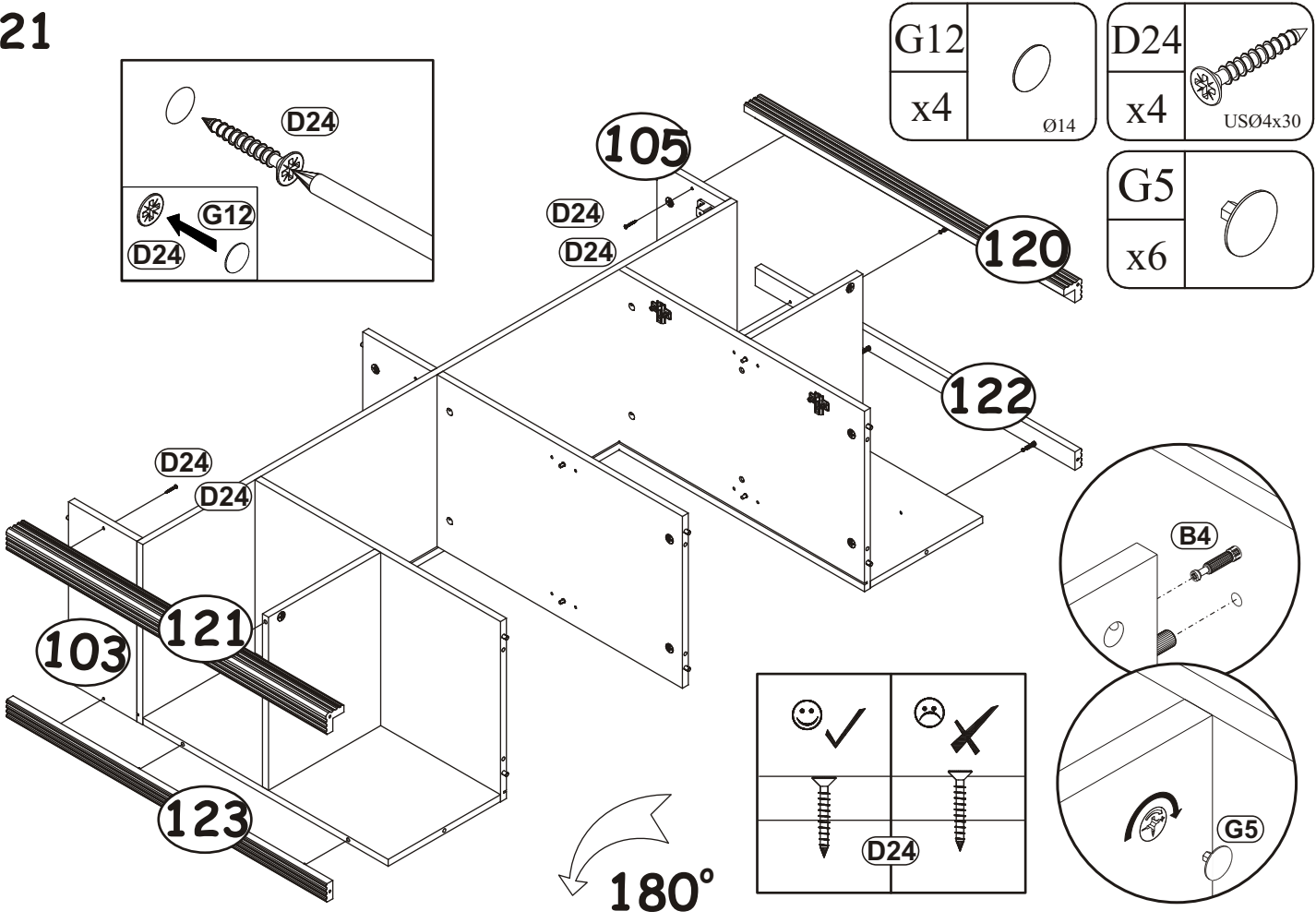
B6		G5	
x2		Ø7x76	



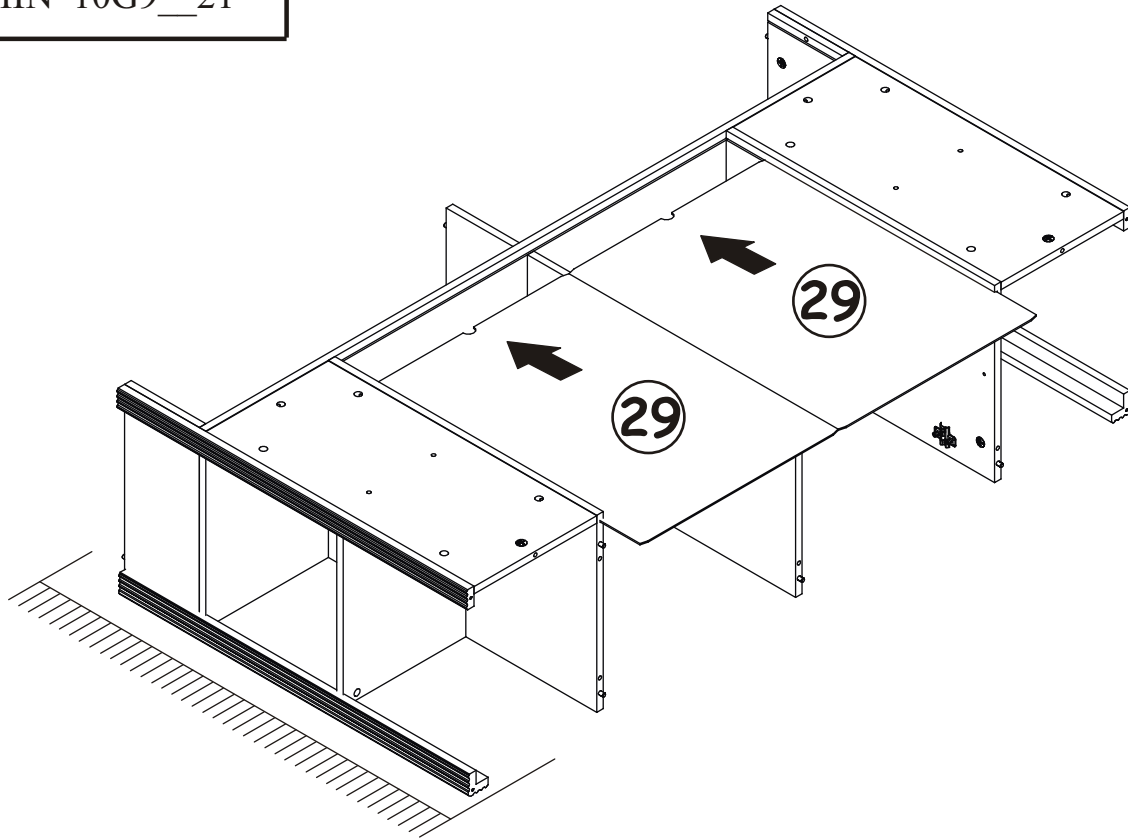
21

G12		D24	
x4		Ø14	



G5	
x6	

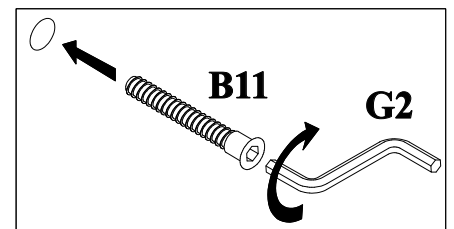
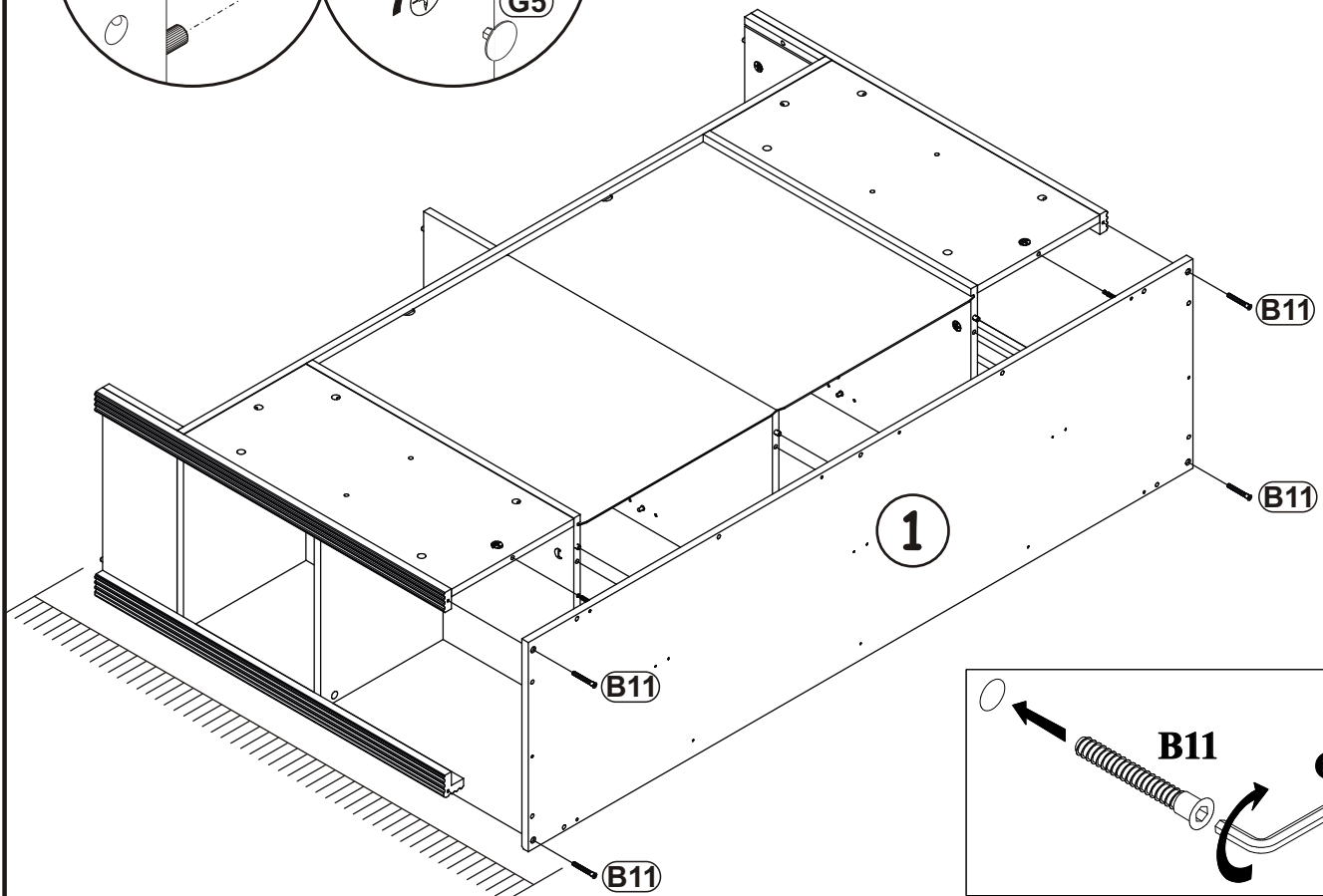
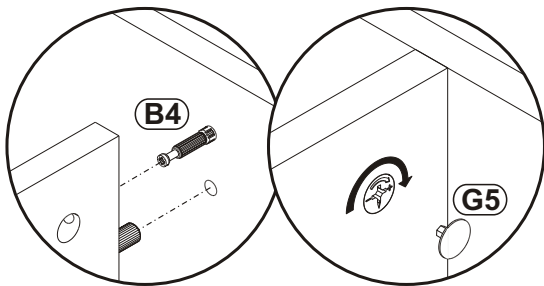



22



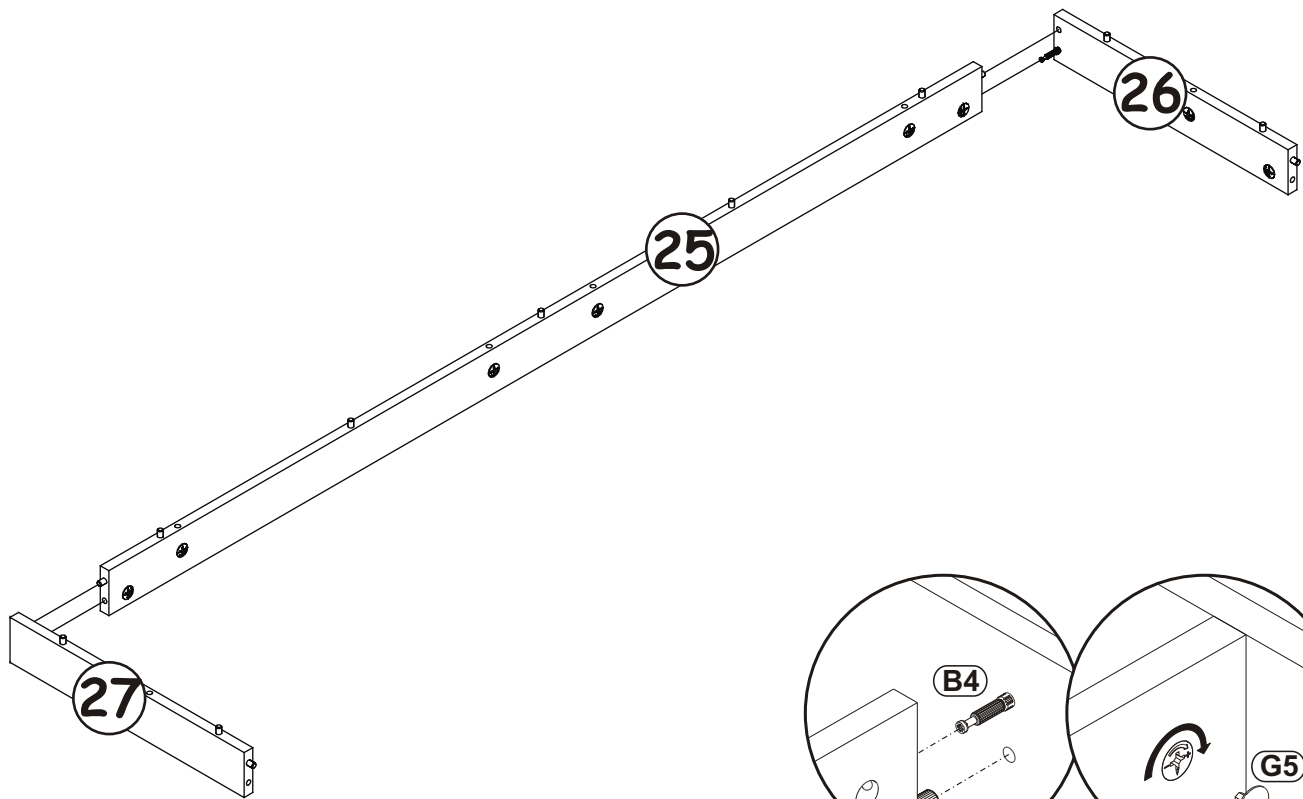
23

B11		G5	
x4	Ø7x50	x8	




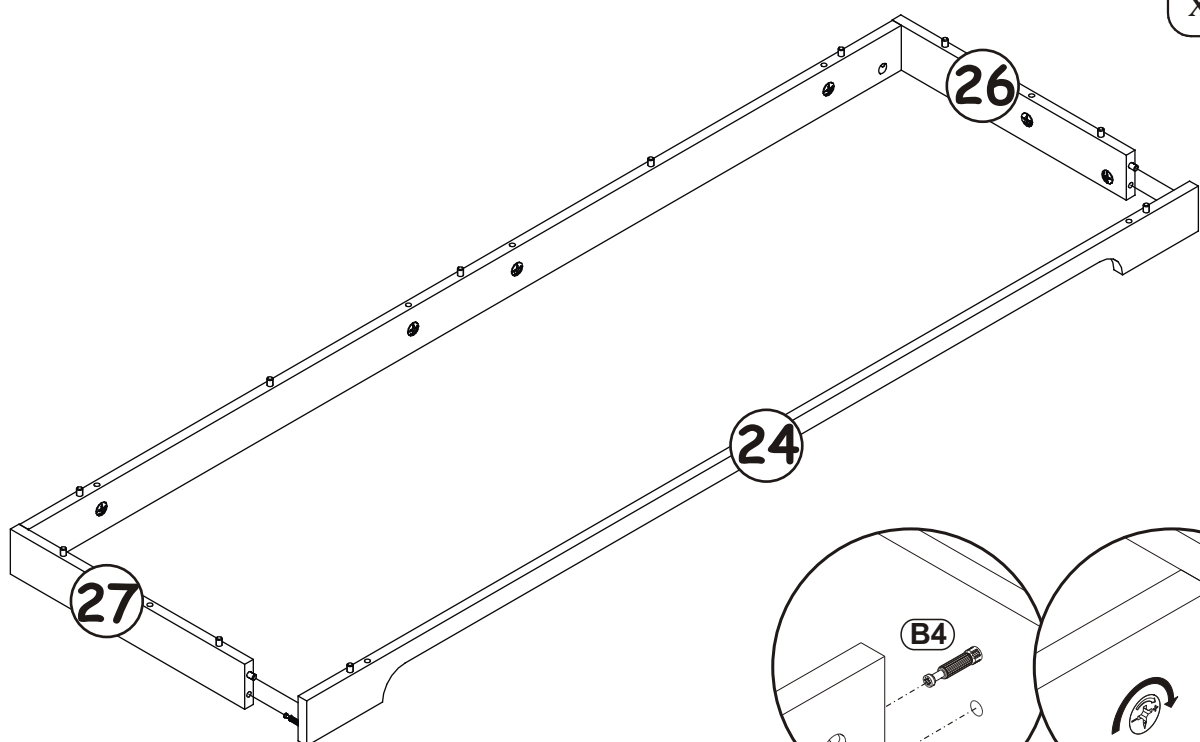
G5	
x2	

24

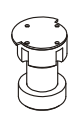
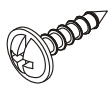


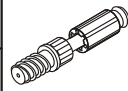
25

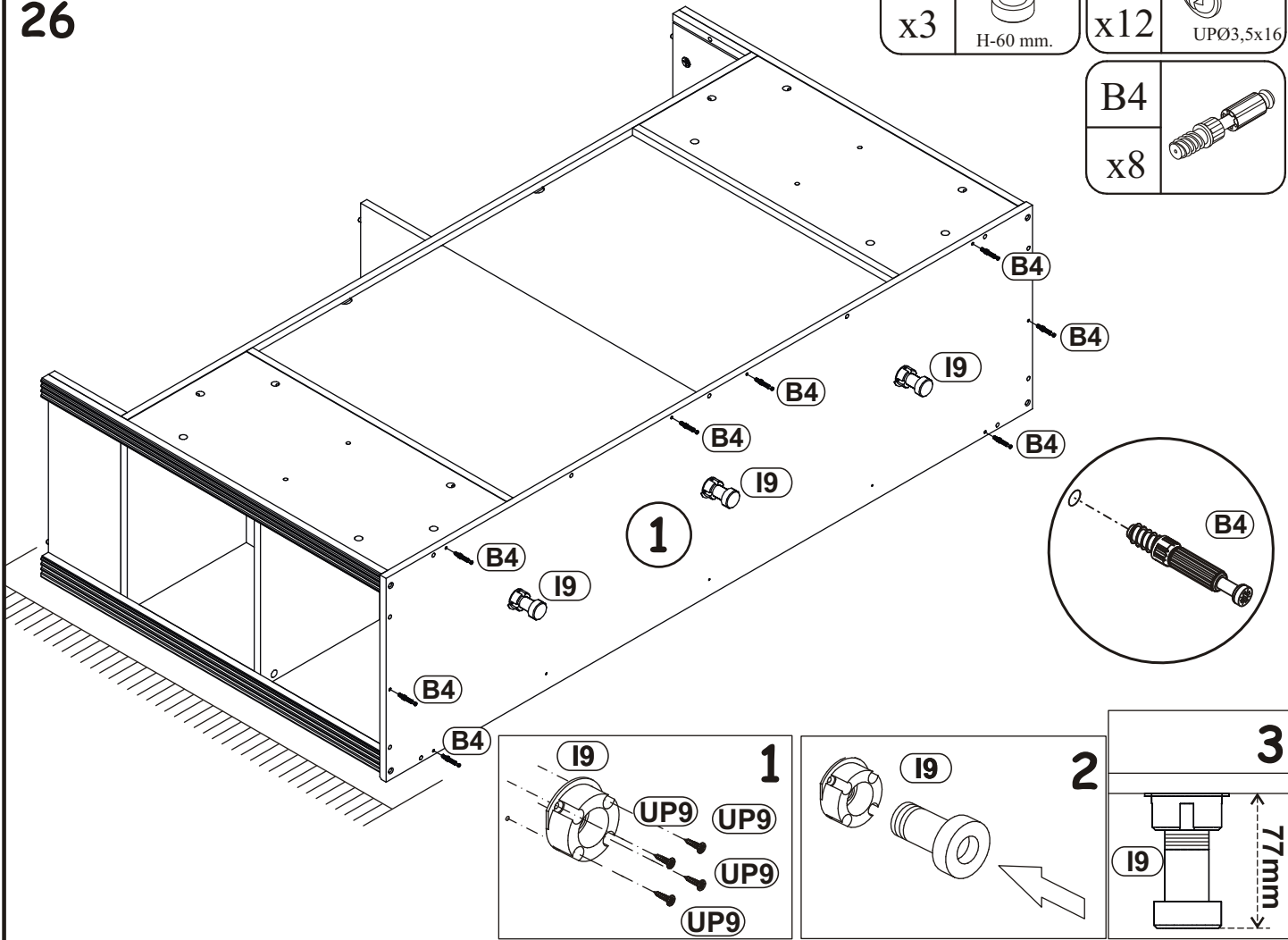
G5	
x2	




26

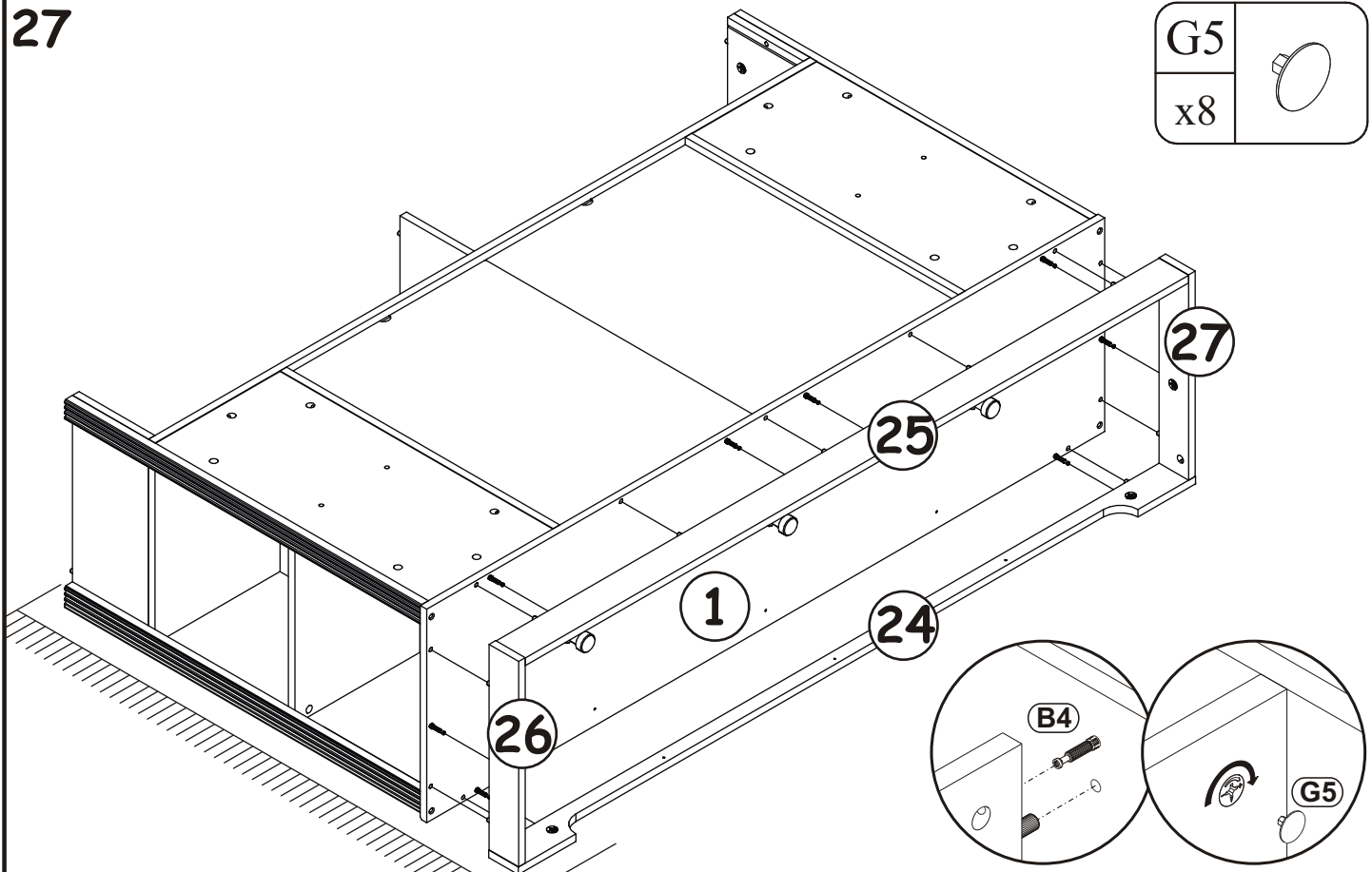
I9		UP9	
x3	H-60 mm.	x12	UPØ3,5x16

B4	
x8	

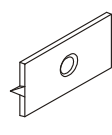

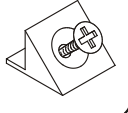

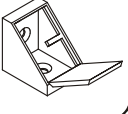



27

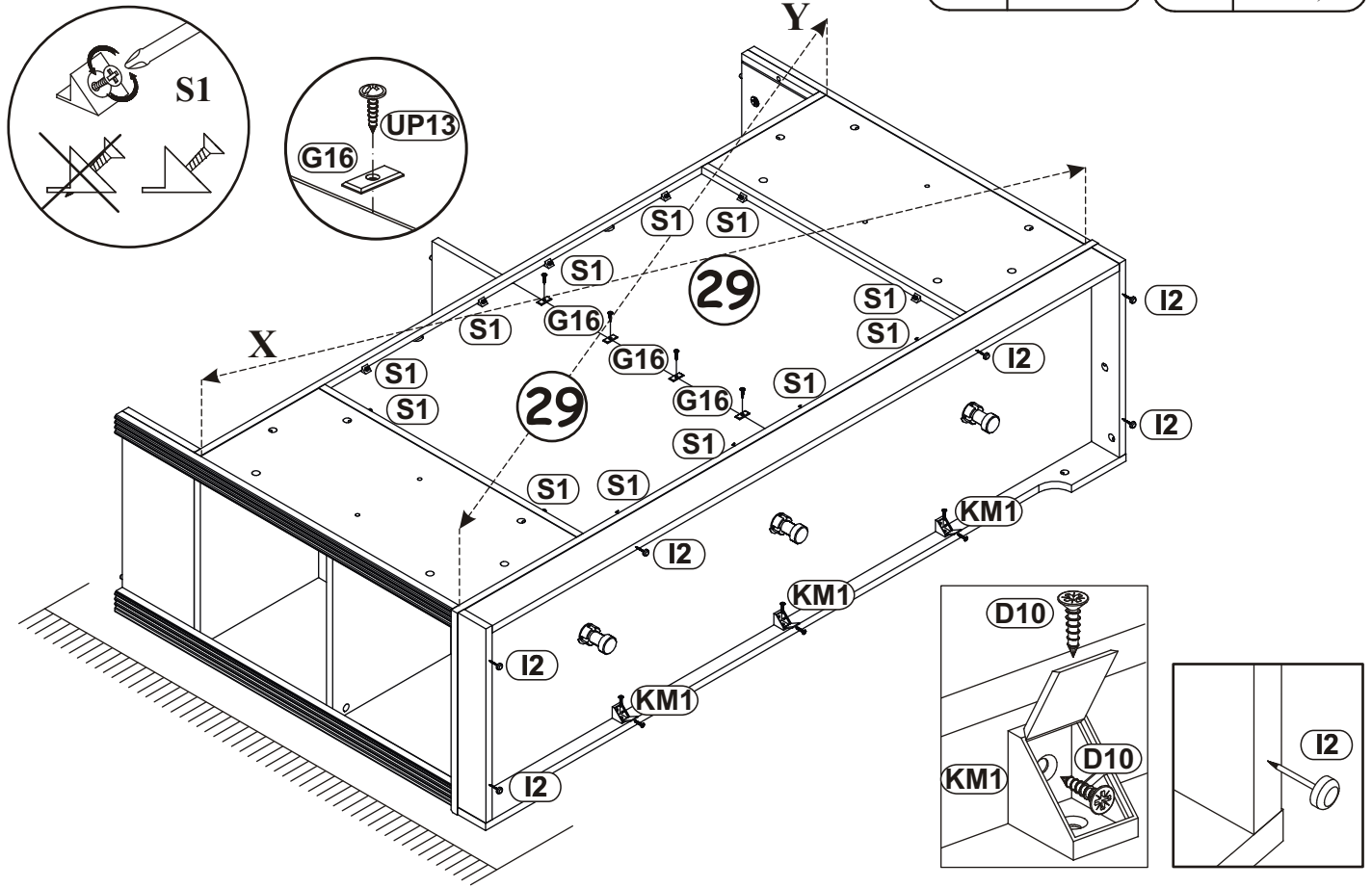
G5	
x8	





28

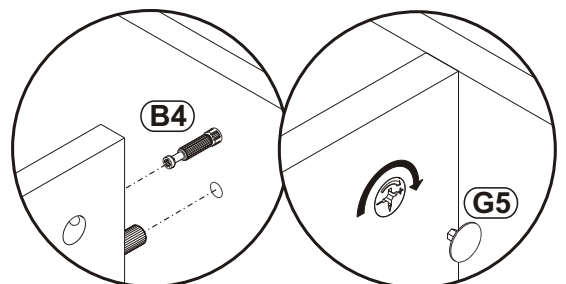
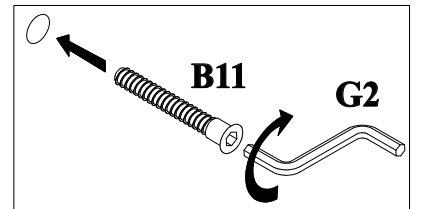
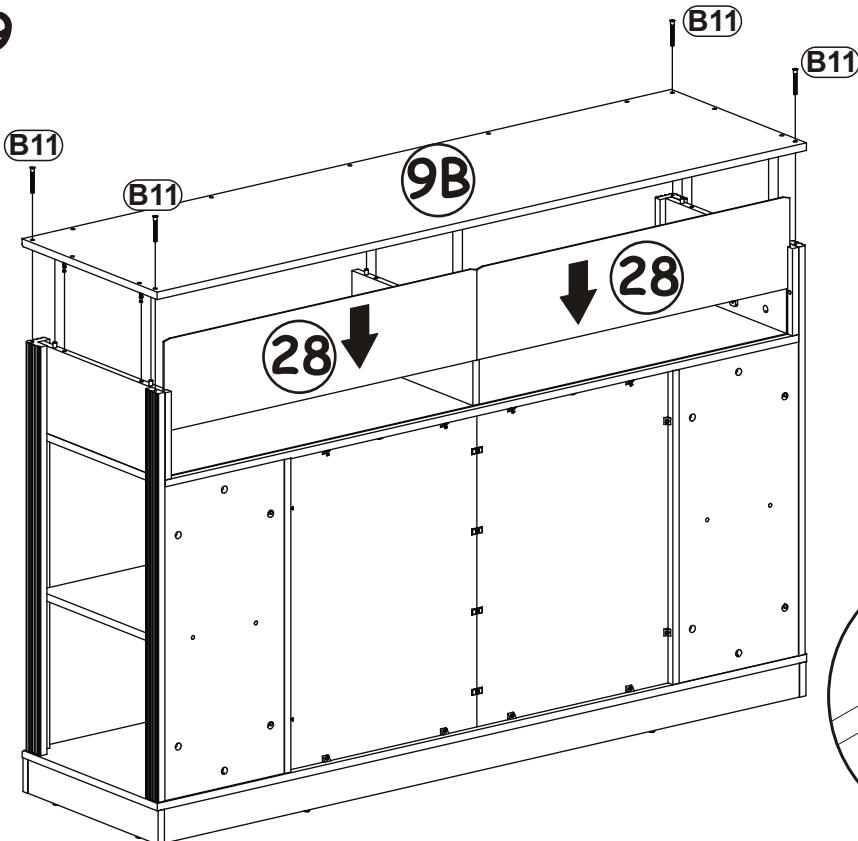
G16 x4		UP13 x4	 UPØ3x16	S1 x12		I2 x6	
				KM1 x3		D10 x6	 USØ3,5x13


X=Y 




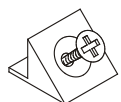
29

B11 x4	 Ø7x50	G5 x6	
-----------	--	----------	---

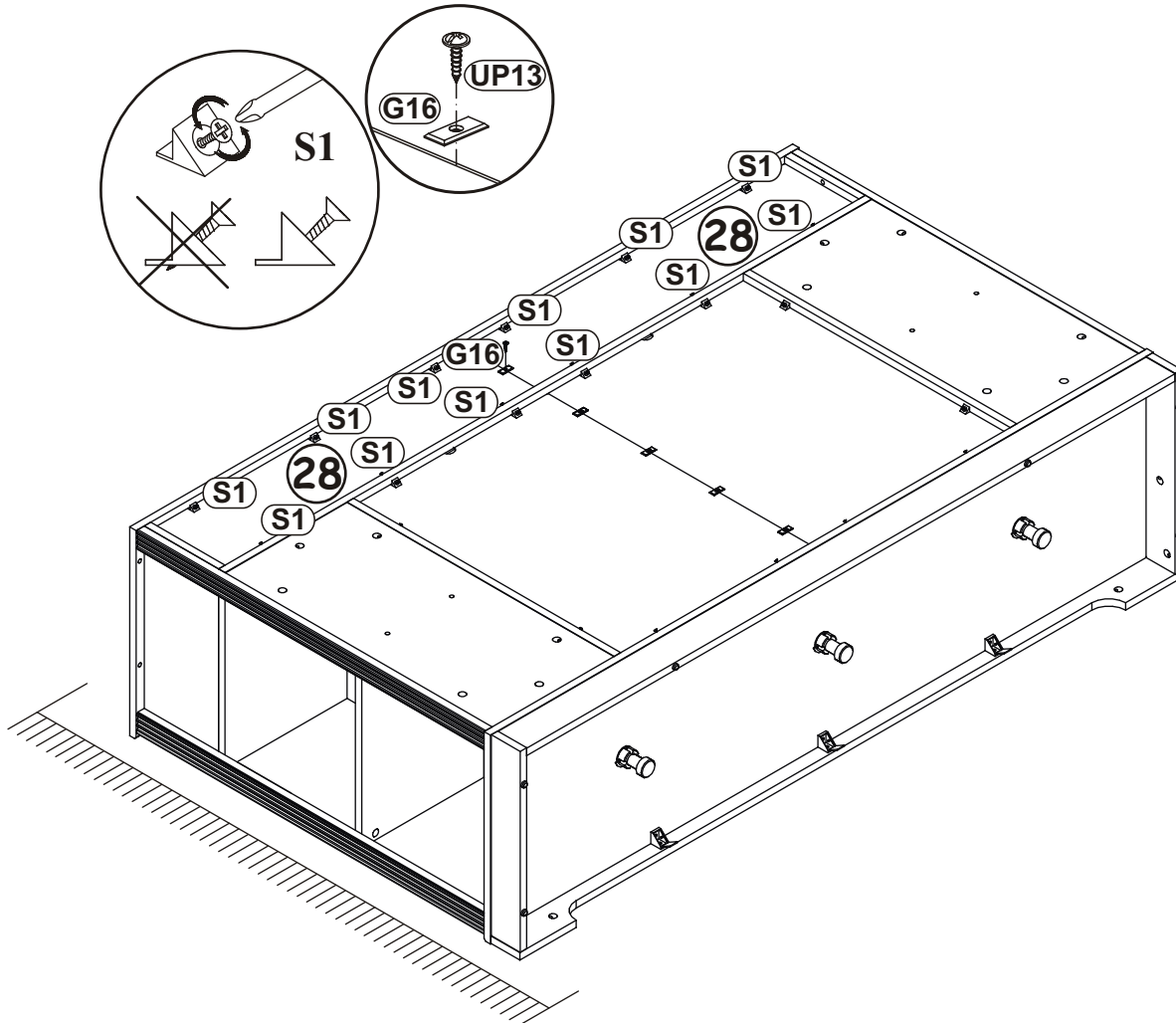


G16	
x1	

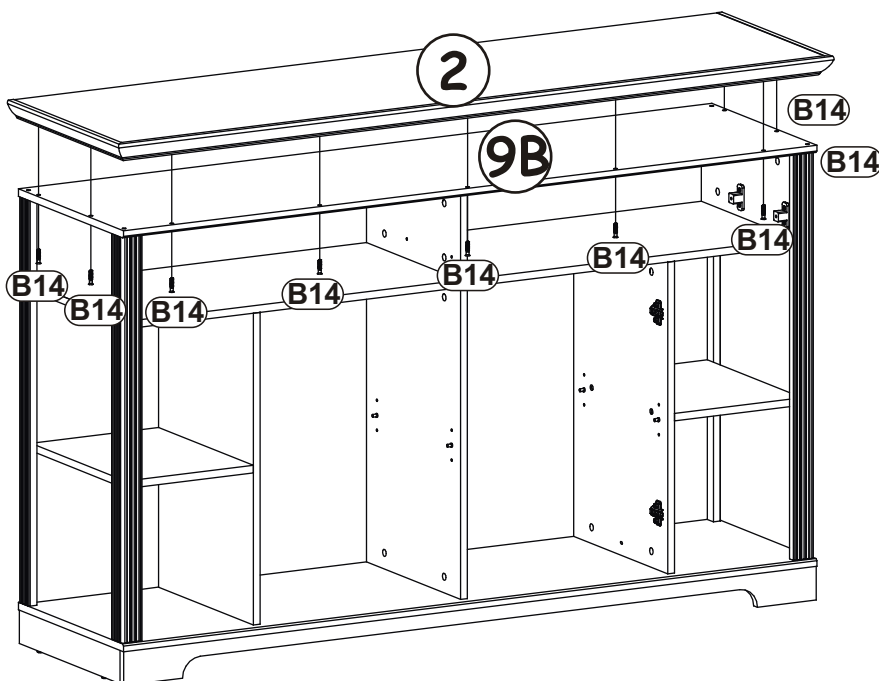
UP13	
x1	UPØ3x16


S1	
x12	


30

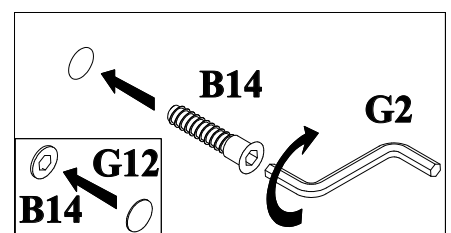
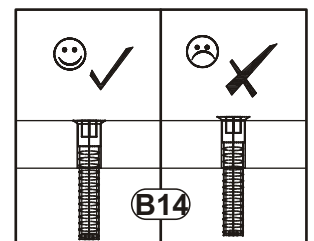


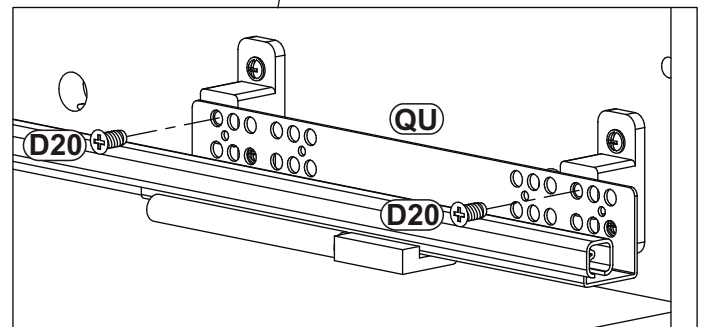
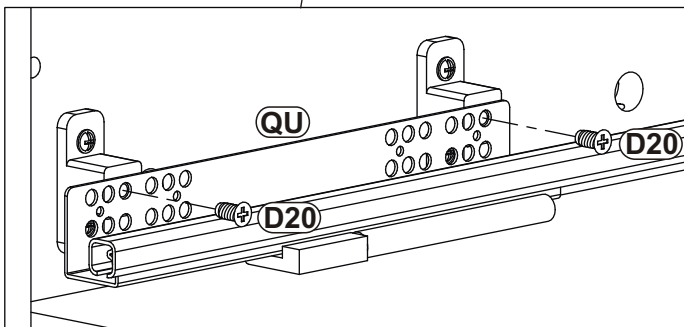
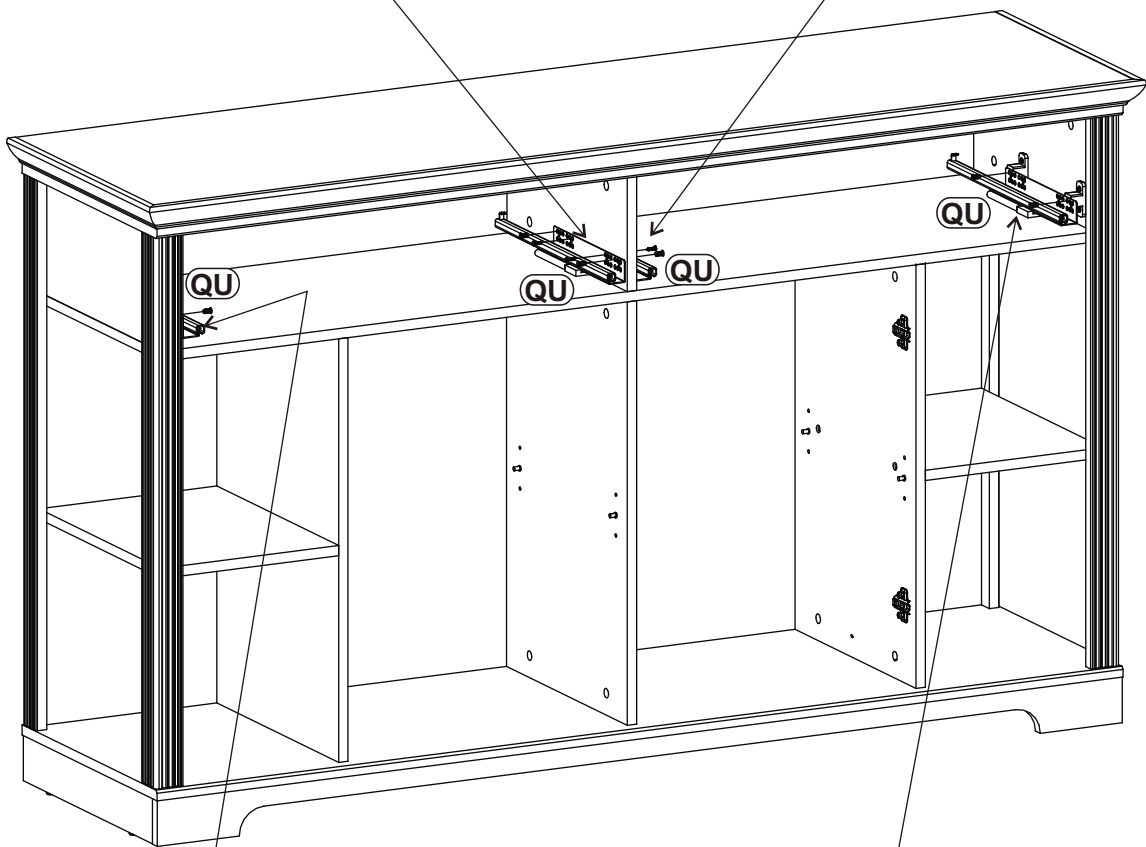
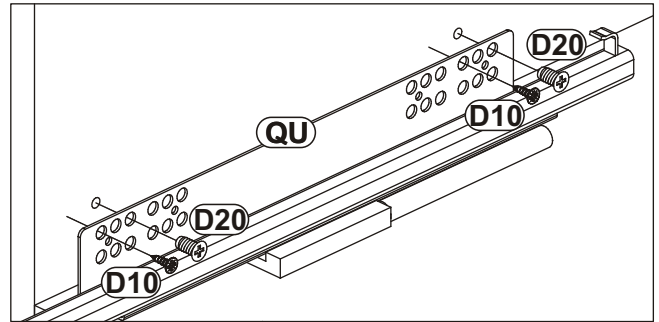
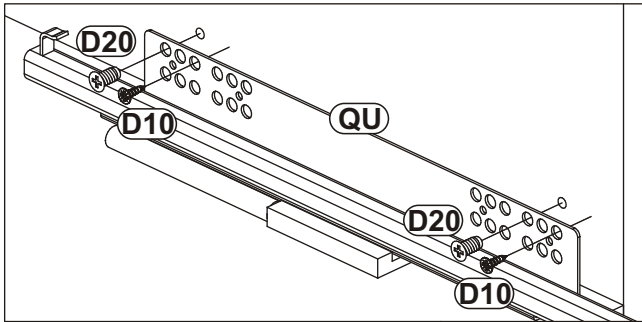
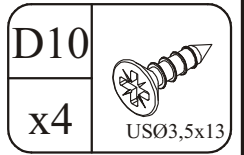
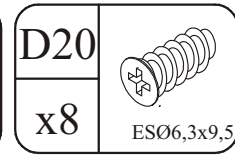
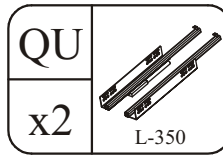
31



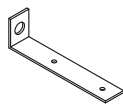
B14	
x9	Ø7x30


G12	
x9	Ø14

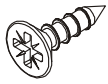


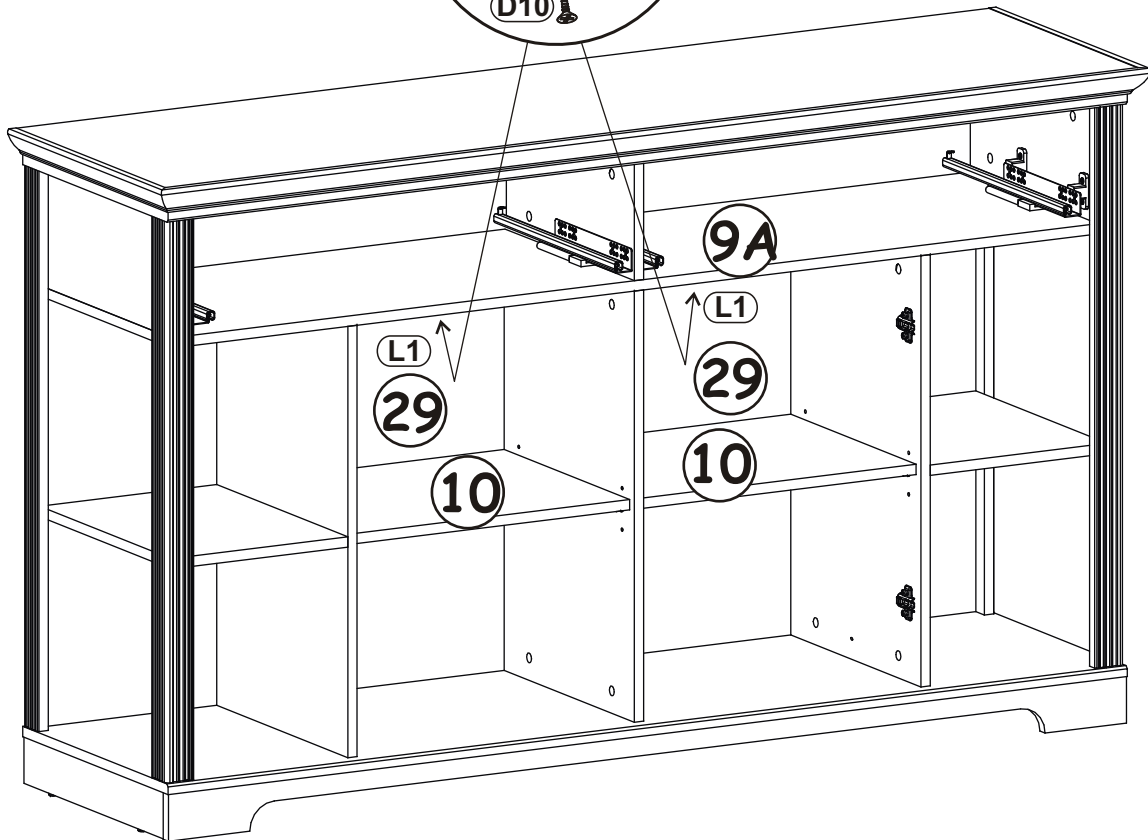
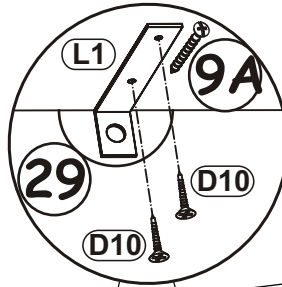
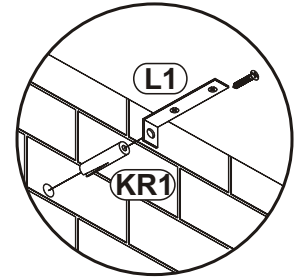
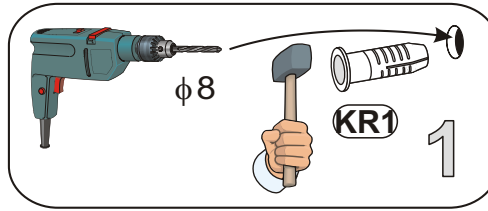
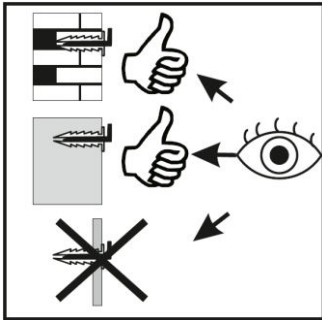



33

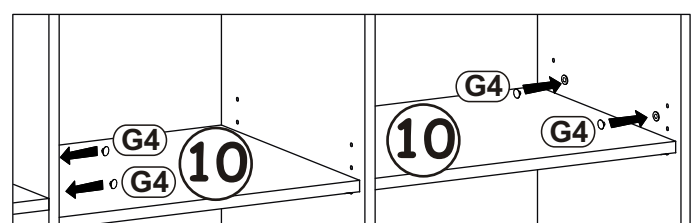
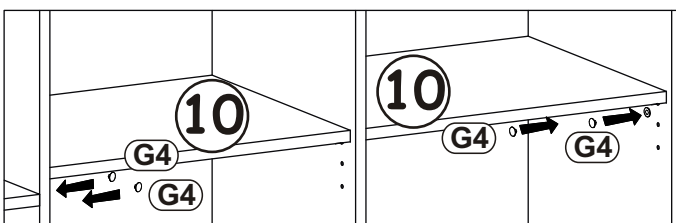
L1	
x2	

KR1	
x2	

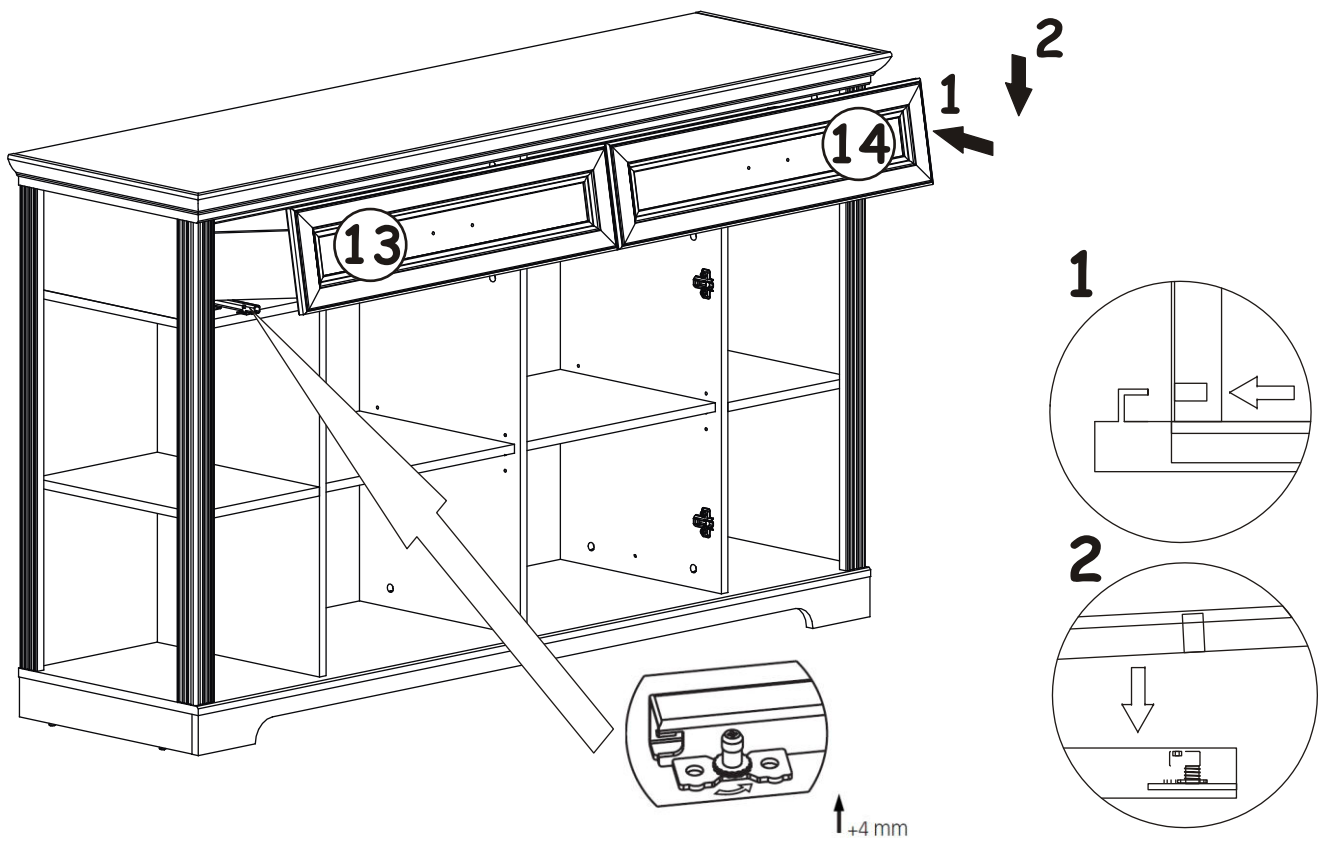
D10	
x4	US03,5x13



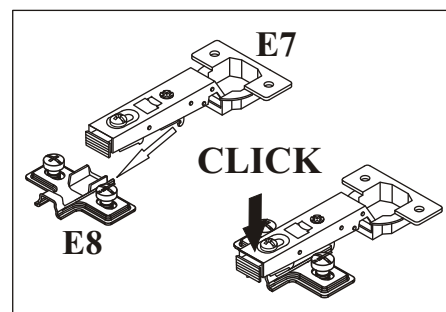
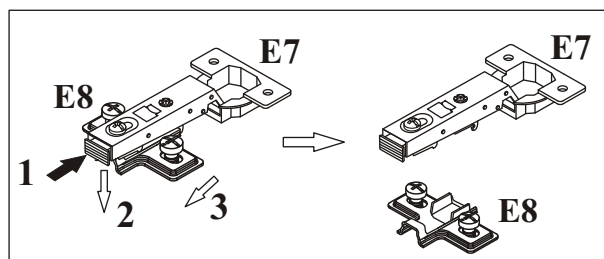
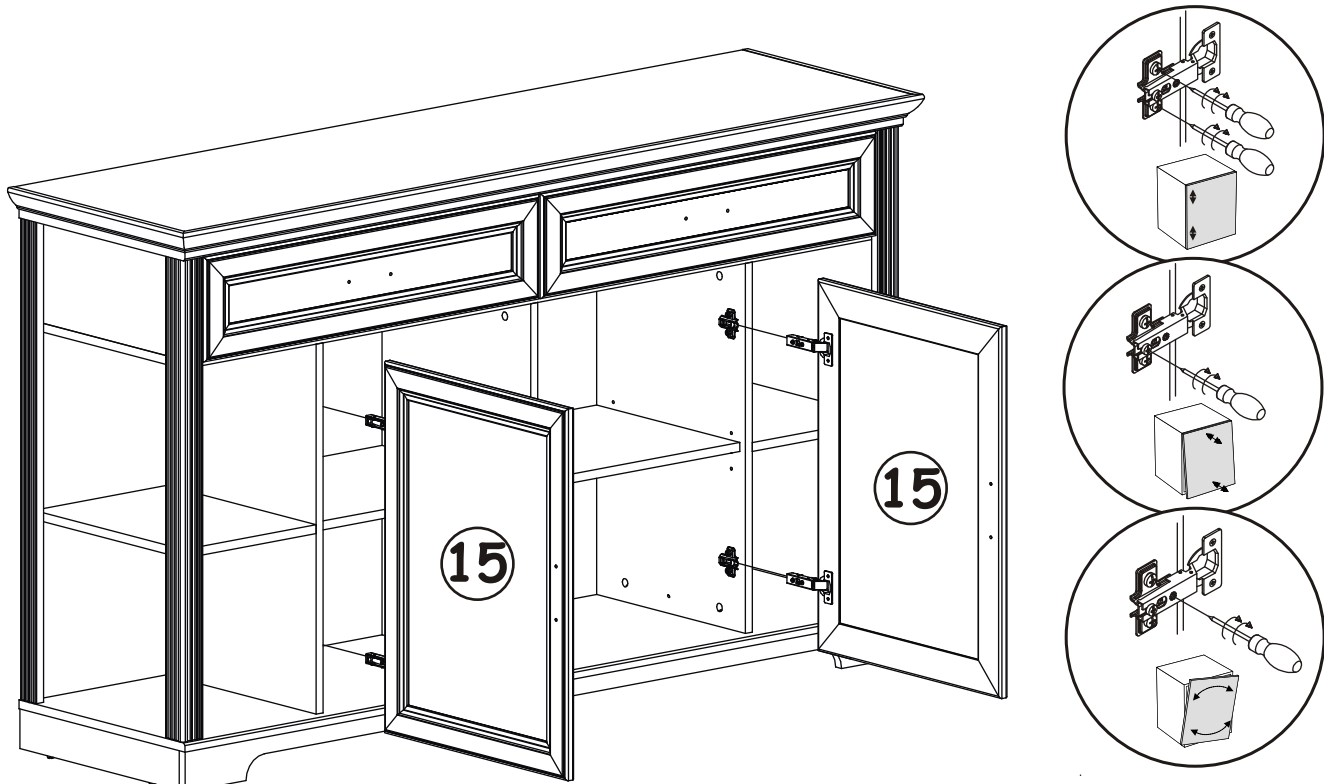
G4	
x4	



34



35



36

