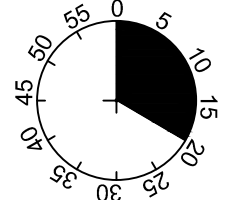
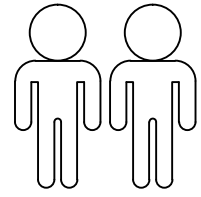
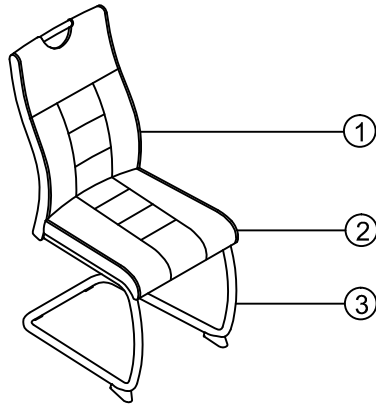


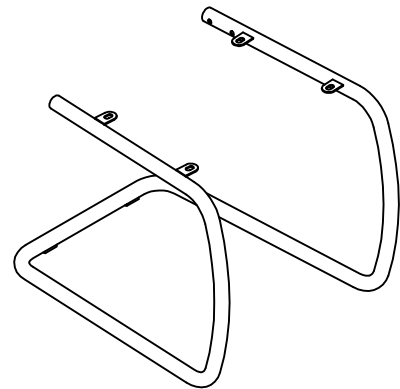
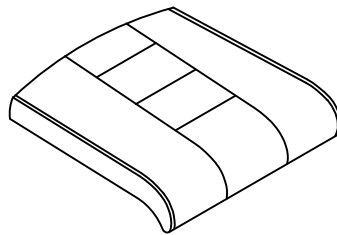
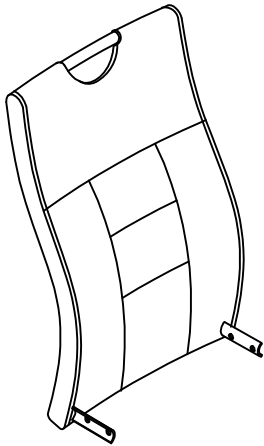
Alina



1

2

3

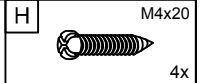
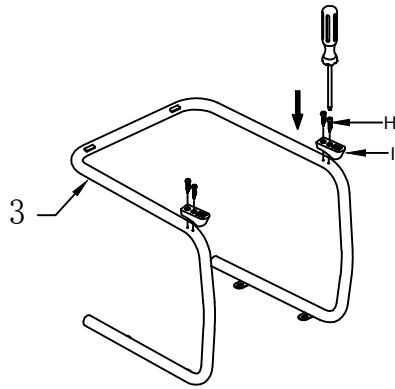


1	1x
2	1x
3	1x

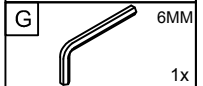
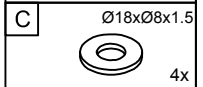
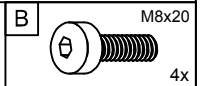
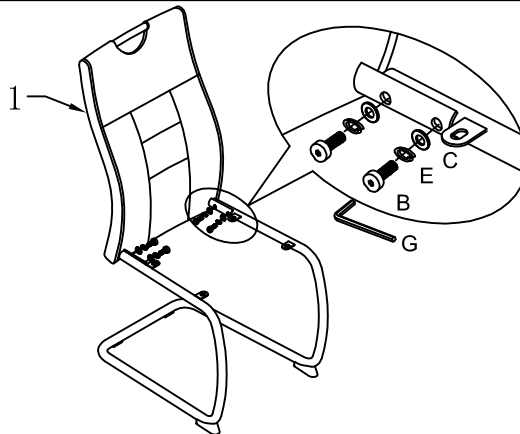
A	M6X20	B	M8x20	C	Ø18xØ8x1.5	D	Ø18xØ6x1.5	E	M8	F	4MM
	4x		4x		4x		4x		4x		1x
G	6MM	H	M4x20	I							
	1x		4x		2x						

I.

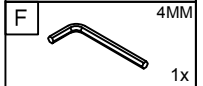
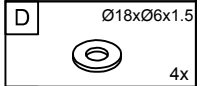
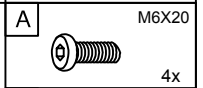
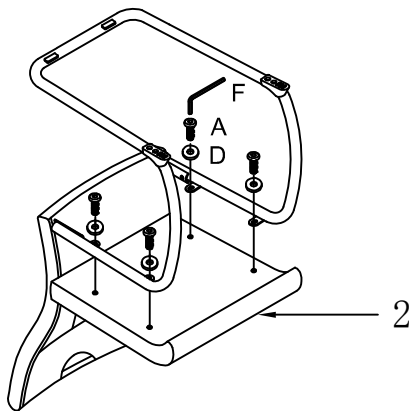
1



2



3



4

