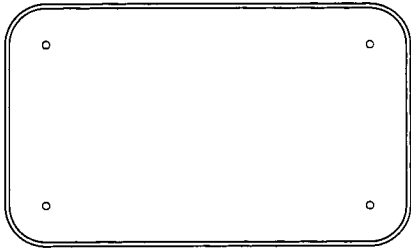
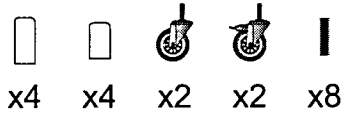


Installation Instructions

Item No: 54318/ 54418/ 54518/ 54918

1

Installation accessories:

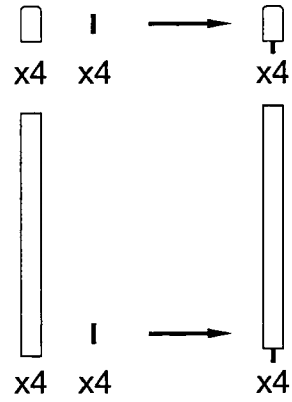


x2

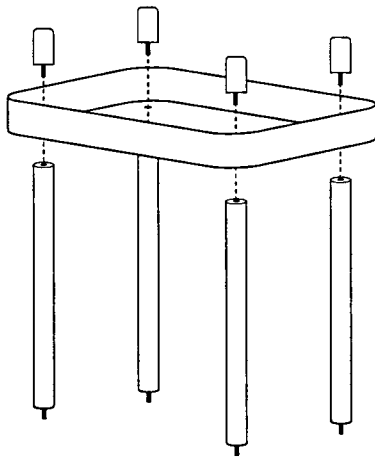


x4

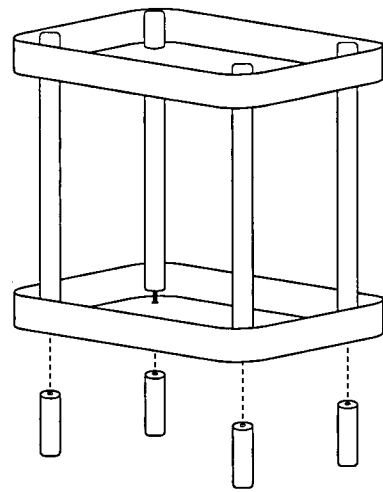
2



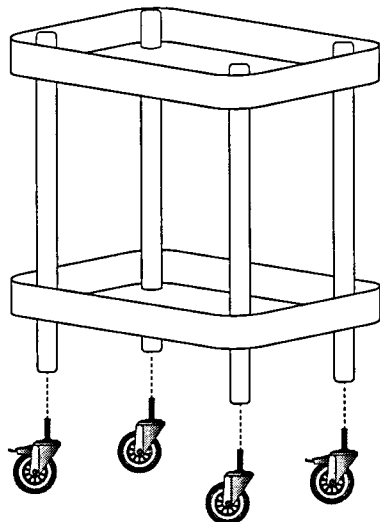
3



4



5



6

