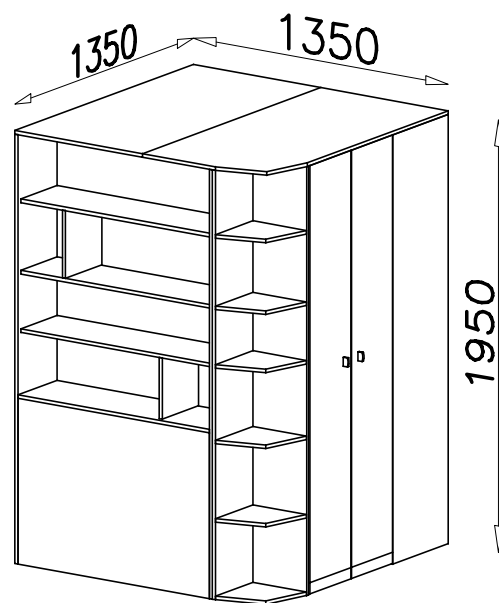
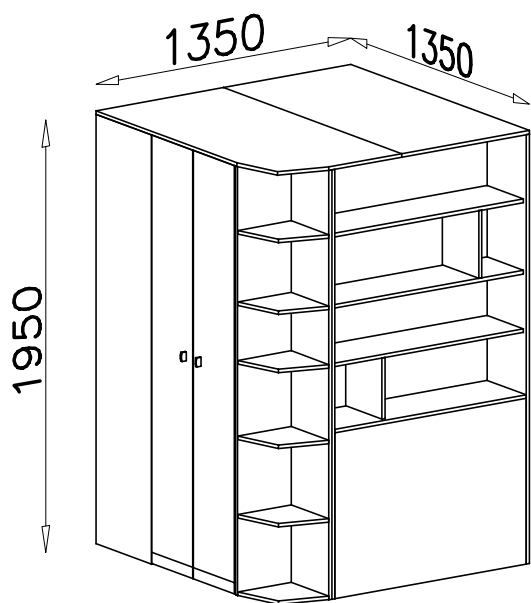
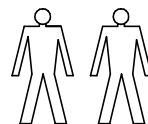
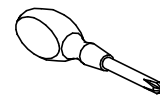
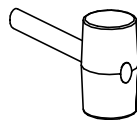
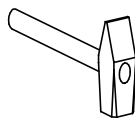
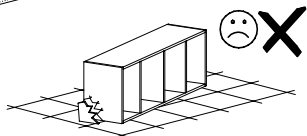
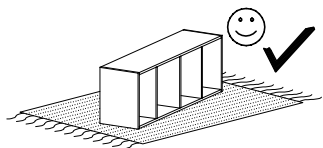
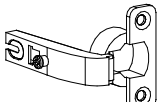
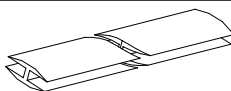
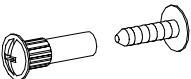

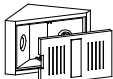
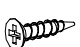
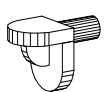

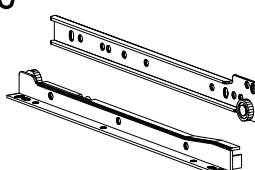

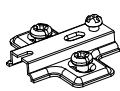
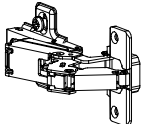
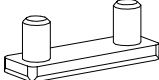
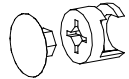


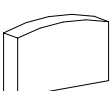
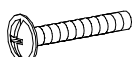
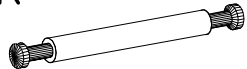
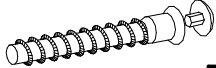

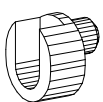
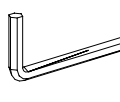

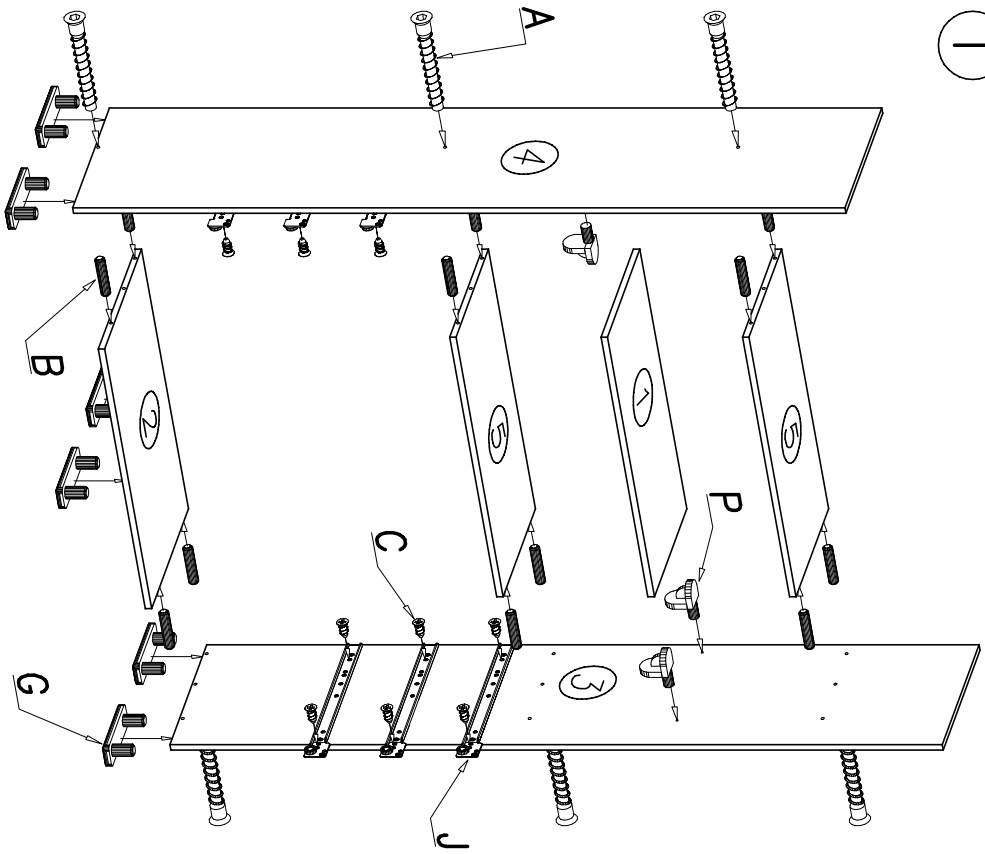


TABLO TA 1

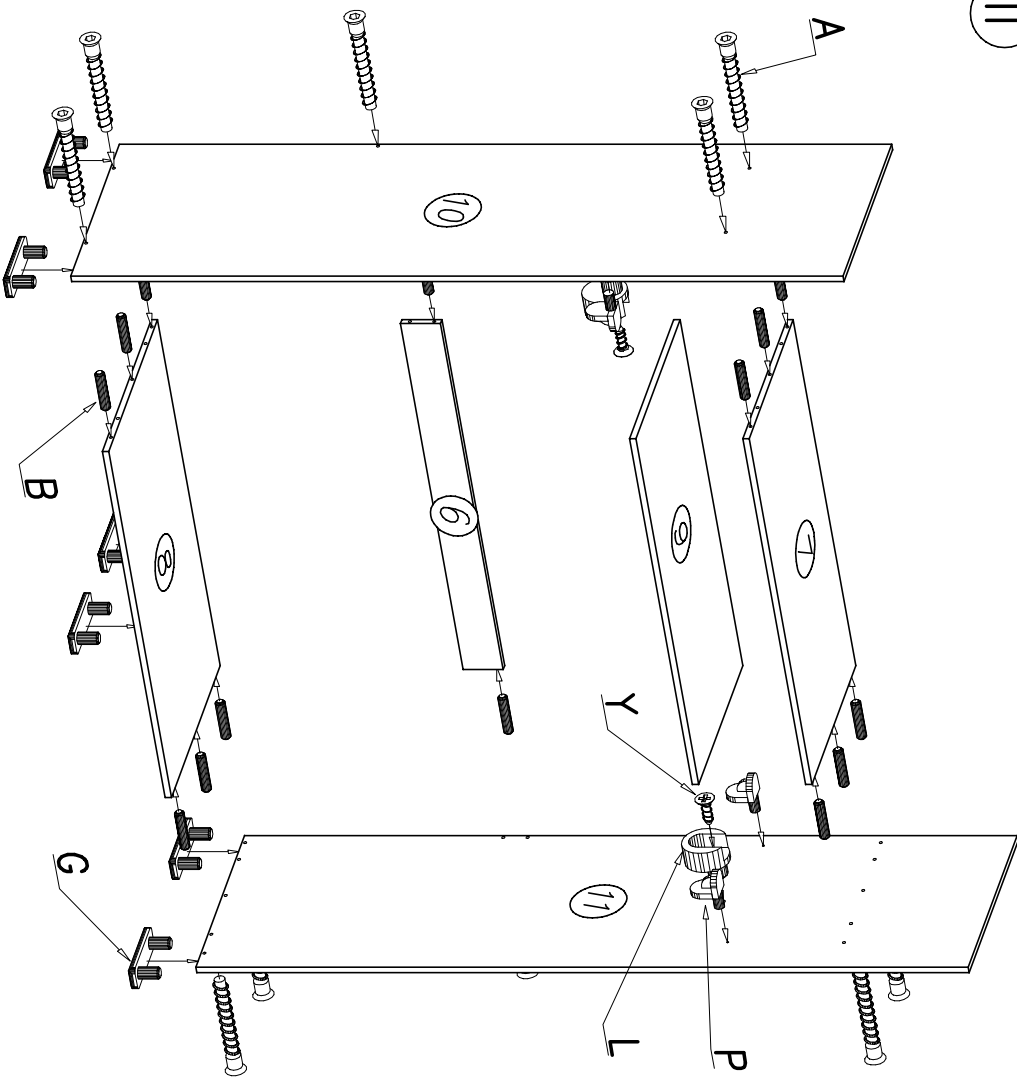


| | | | | |
|---|--|---|---|---|
| M  x3 | H  1910mm x2 | V  x2 | X  1,6 x 16 x60 | Q  x1 |
| Y  3 x 13 x2 | P  x18 | T  4 x 16 x32 | J  35cm x3 | C  6 x 13 x12 |
| F  x3 | D  x3 | G  x22 | K  x6 | |
| W  GLUE KLEJ x7 | E  3 x 20 x150 | U  x2 | N  M4 x 22 x4 | R  x3 |
| A  x56 | B  x136 | L  x2 | Z  x1 | S  1004mm x1 |

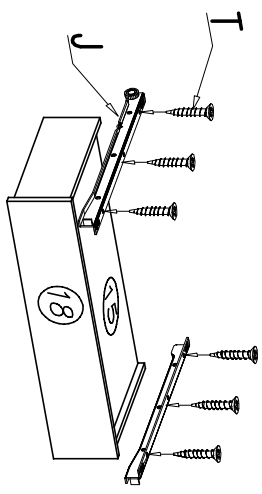
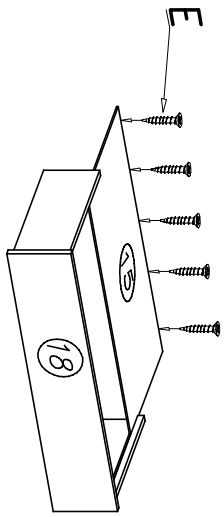
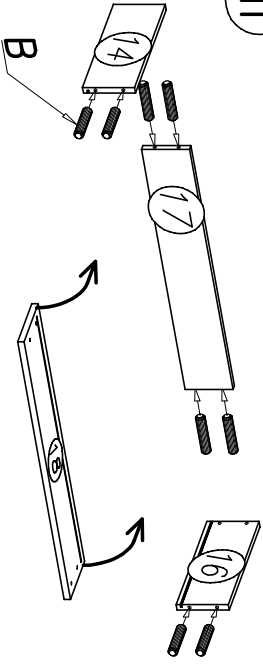
I



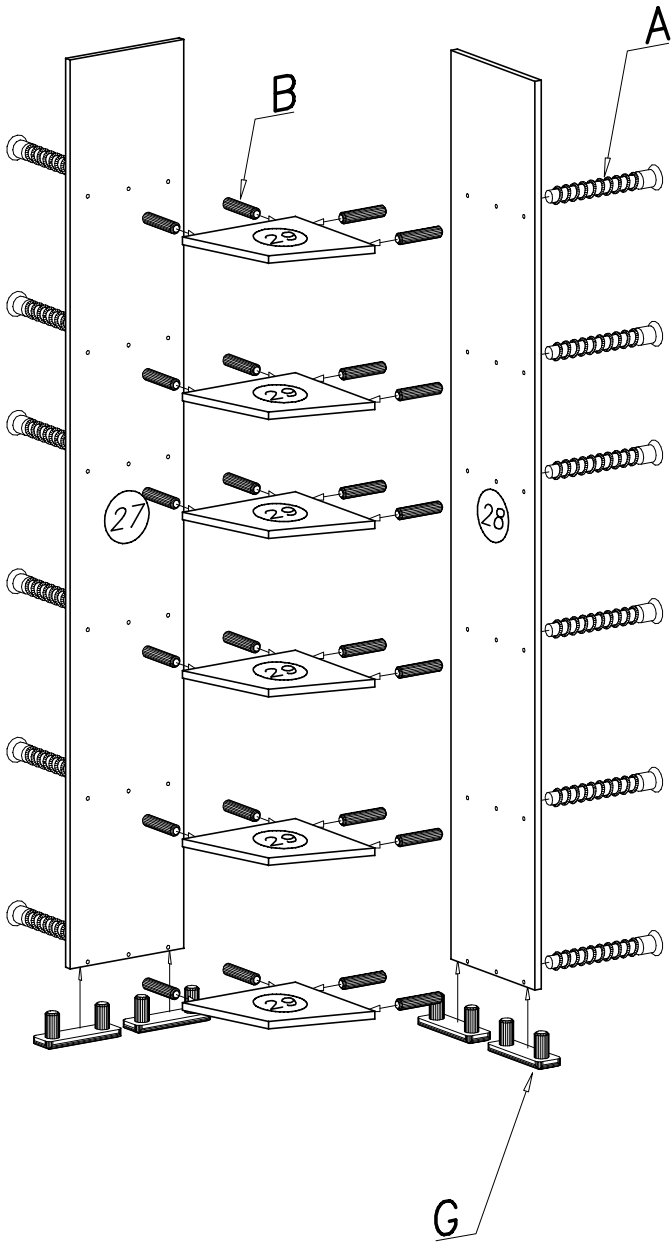
II



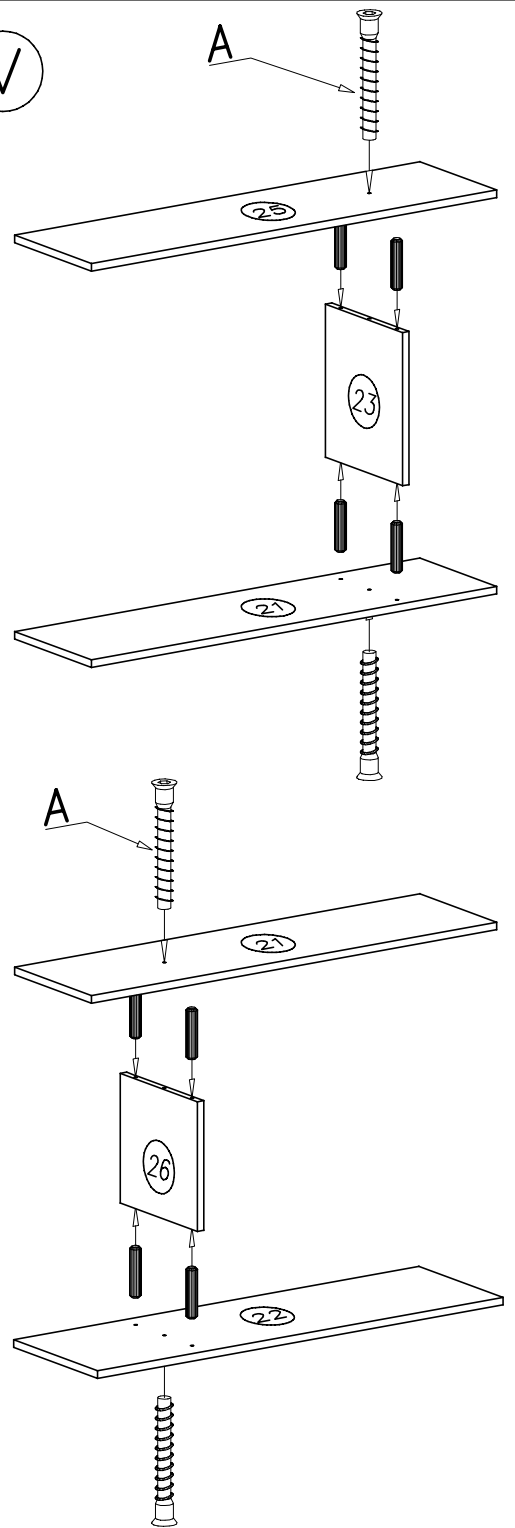
III



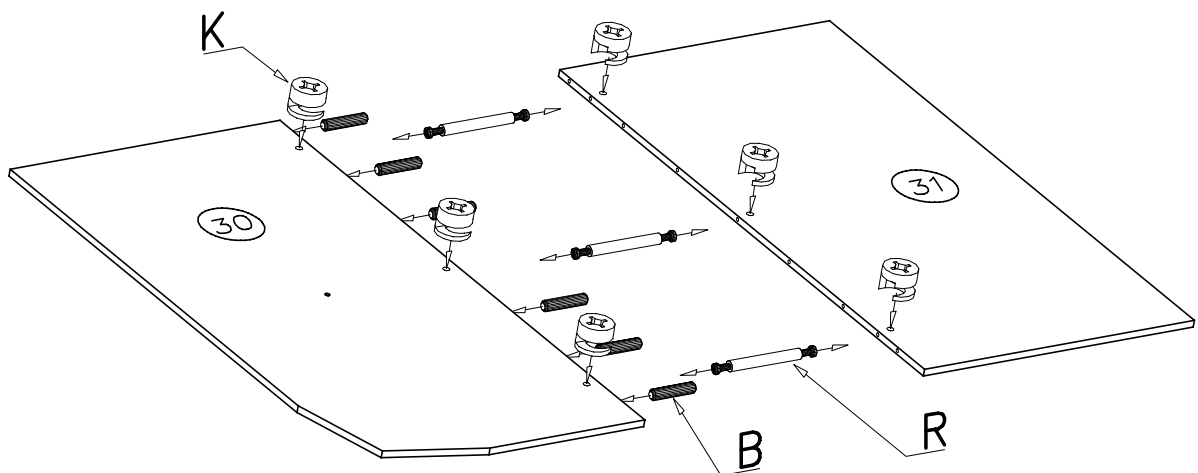
IV



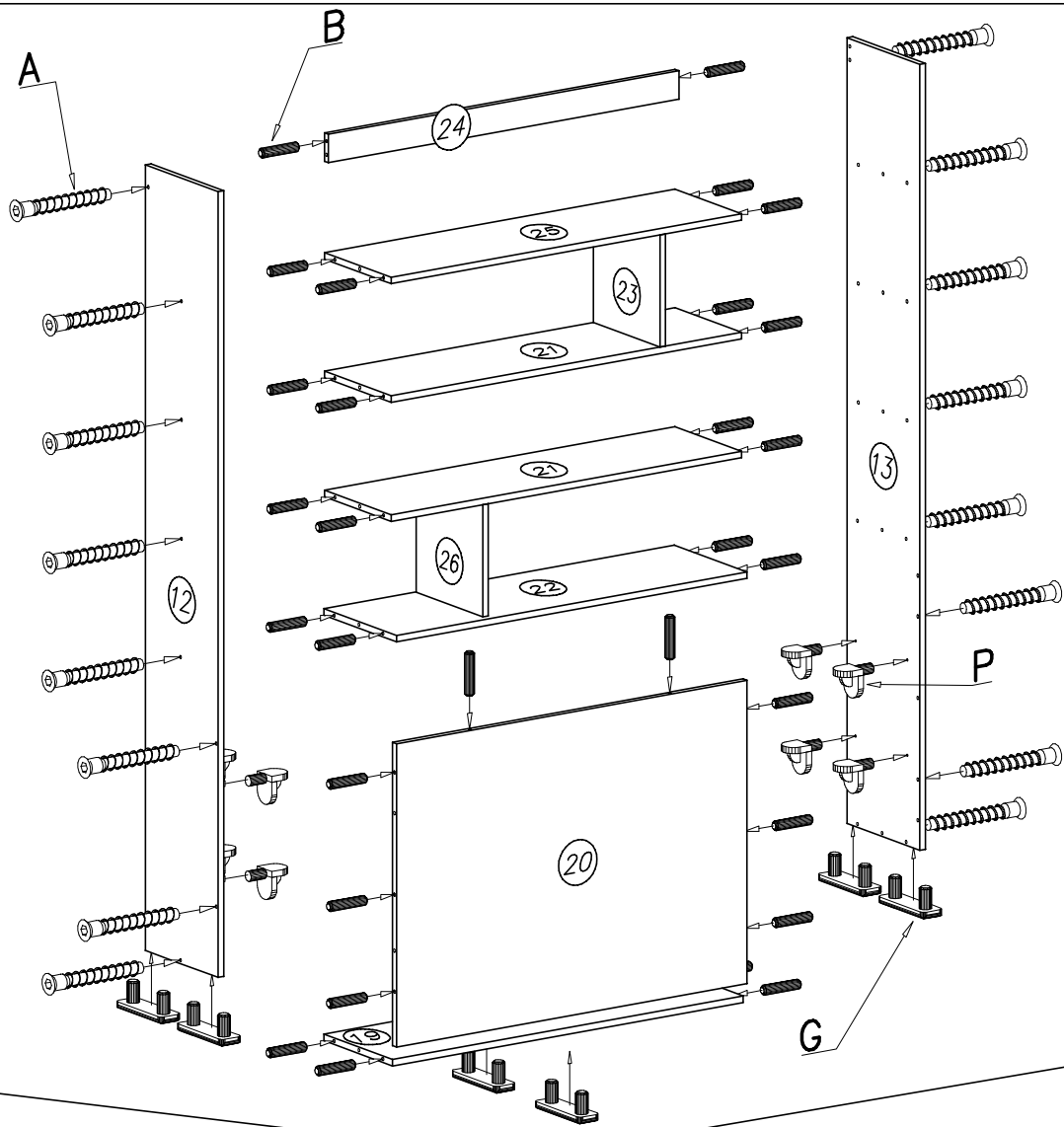
V



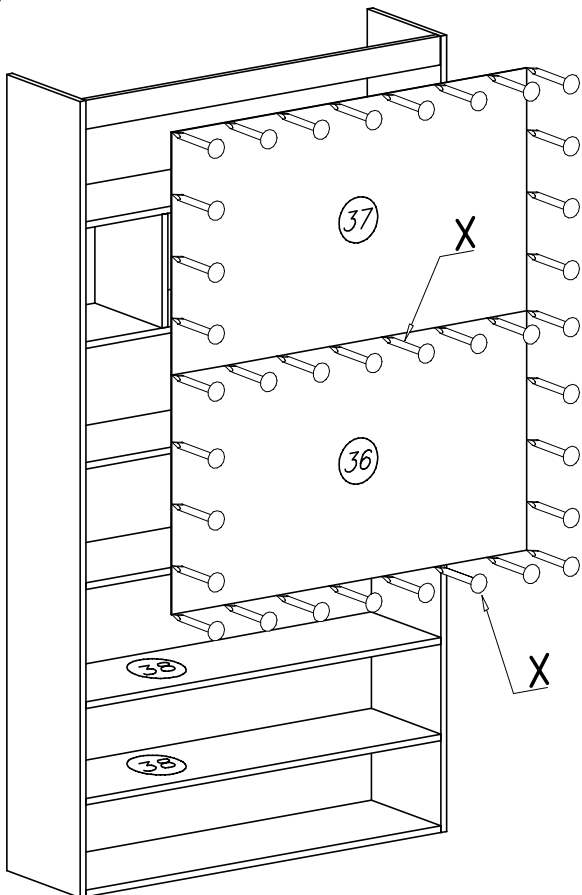
VI



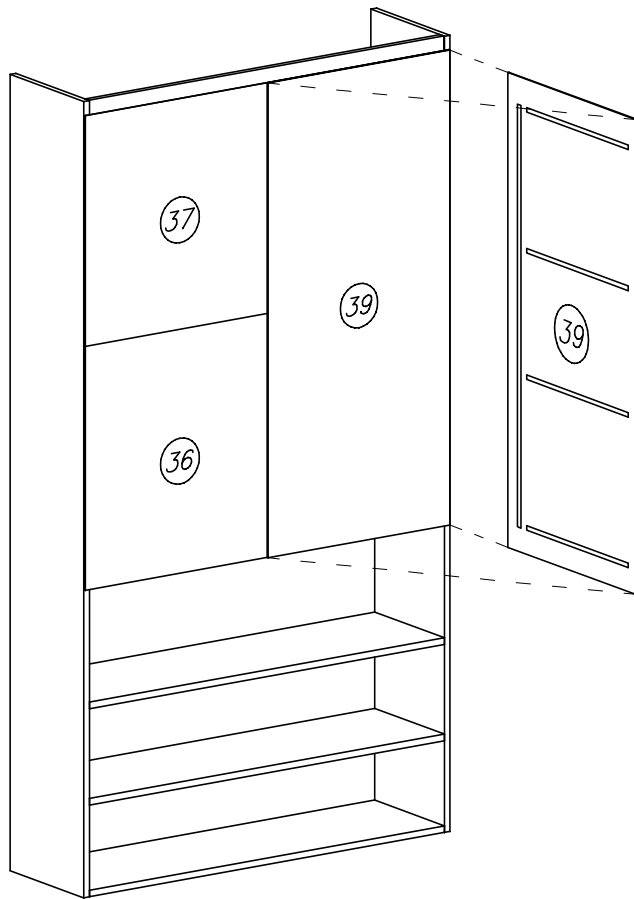
VII



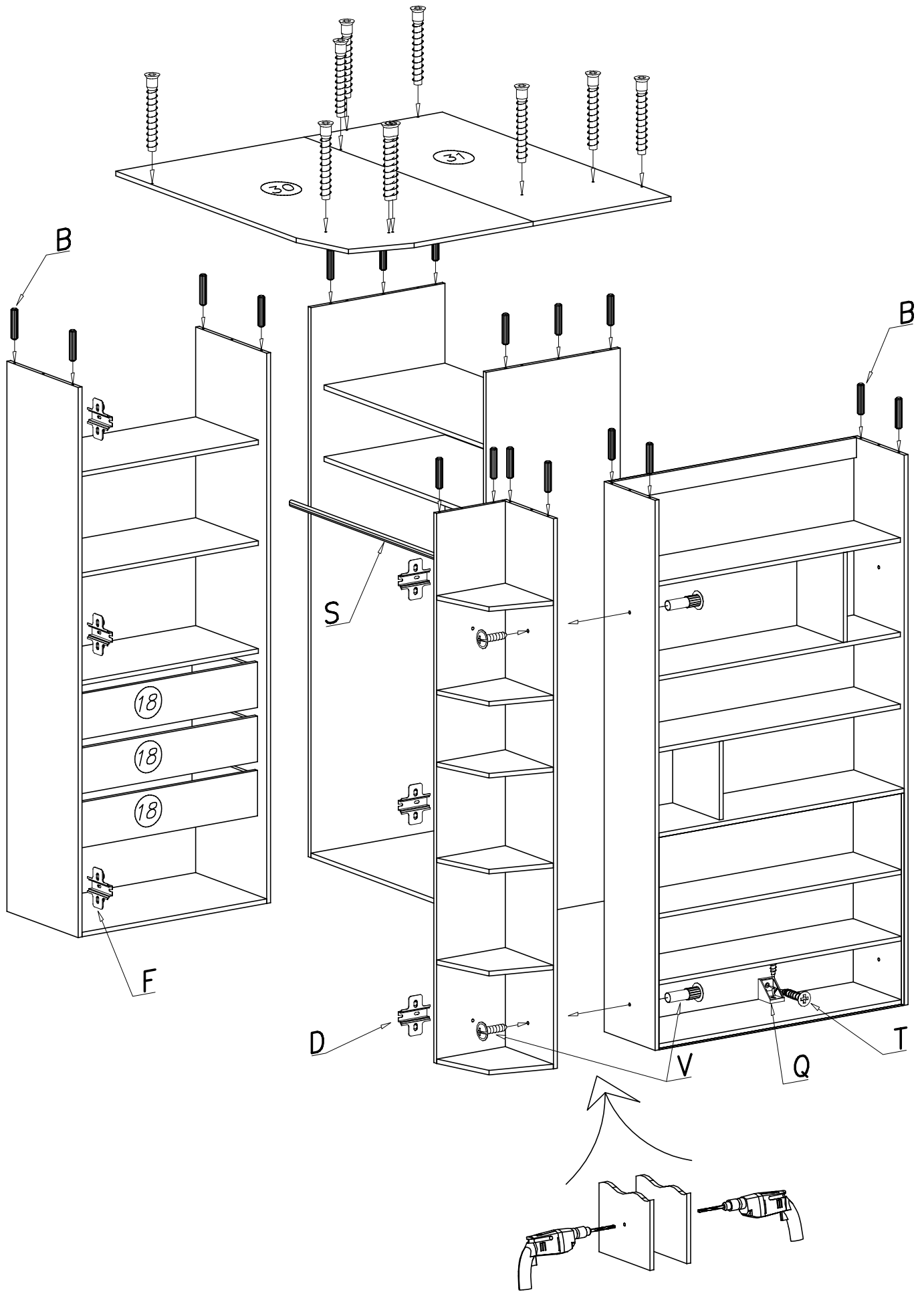
VIII



IX



(X)



(XI)

