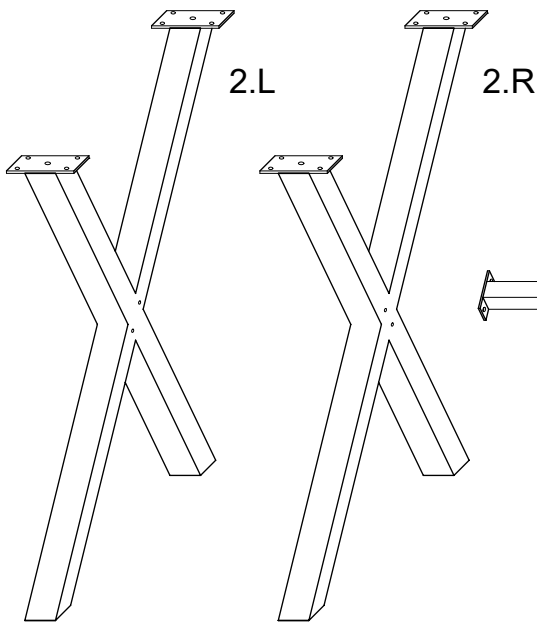
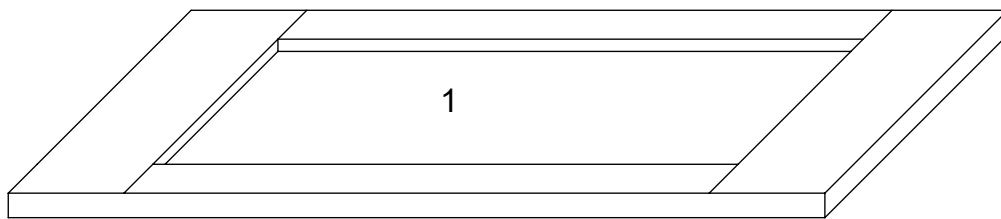
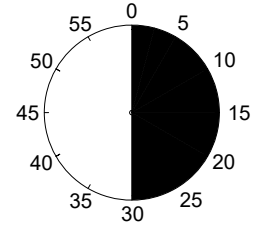
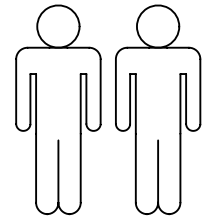
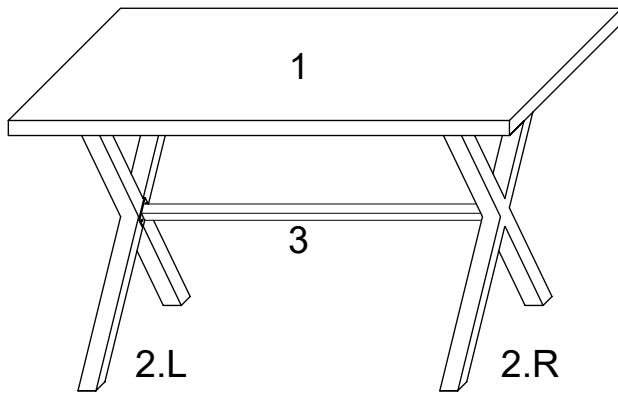






# "Bonny"

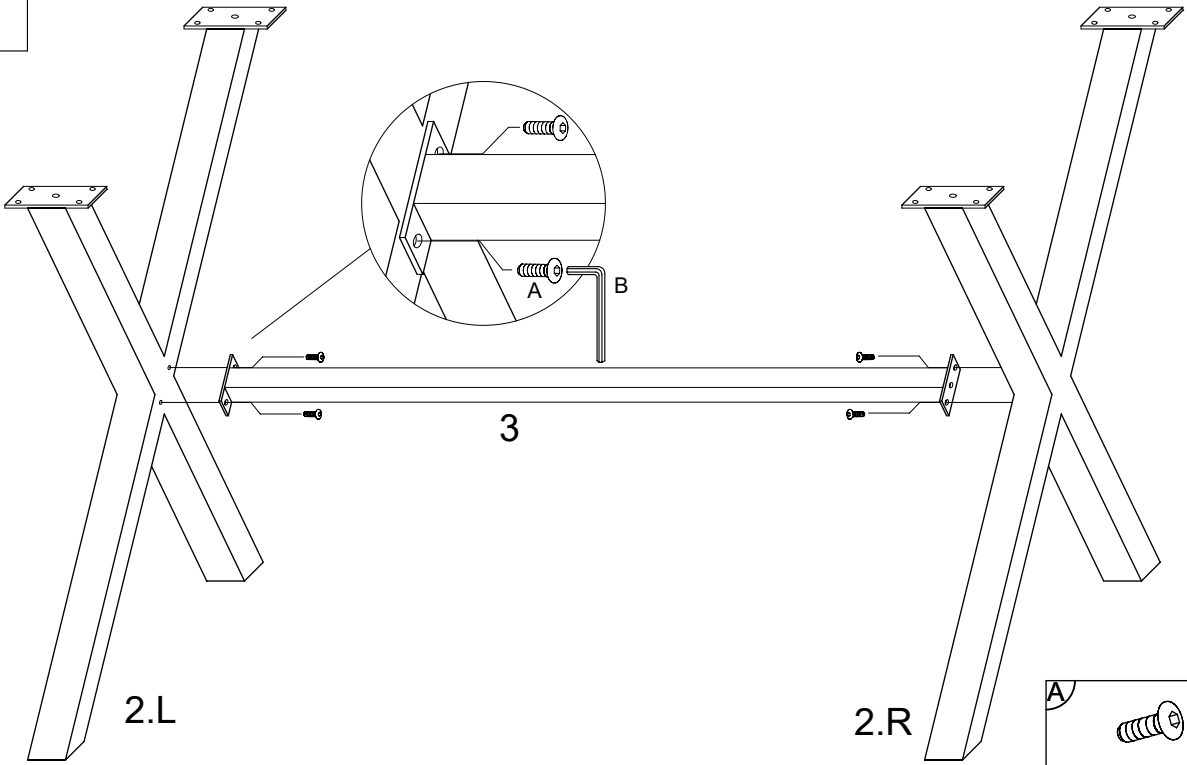


		
1	1 x	1/2
2.L	1 x	2/2
2.R	1 x	2/2
3	1 x	2/2

A	M6x12	B	SW 4	C	4,5x35
	4x		1x		16x

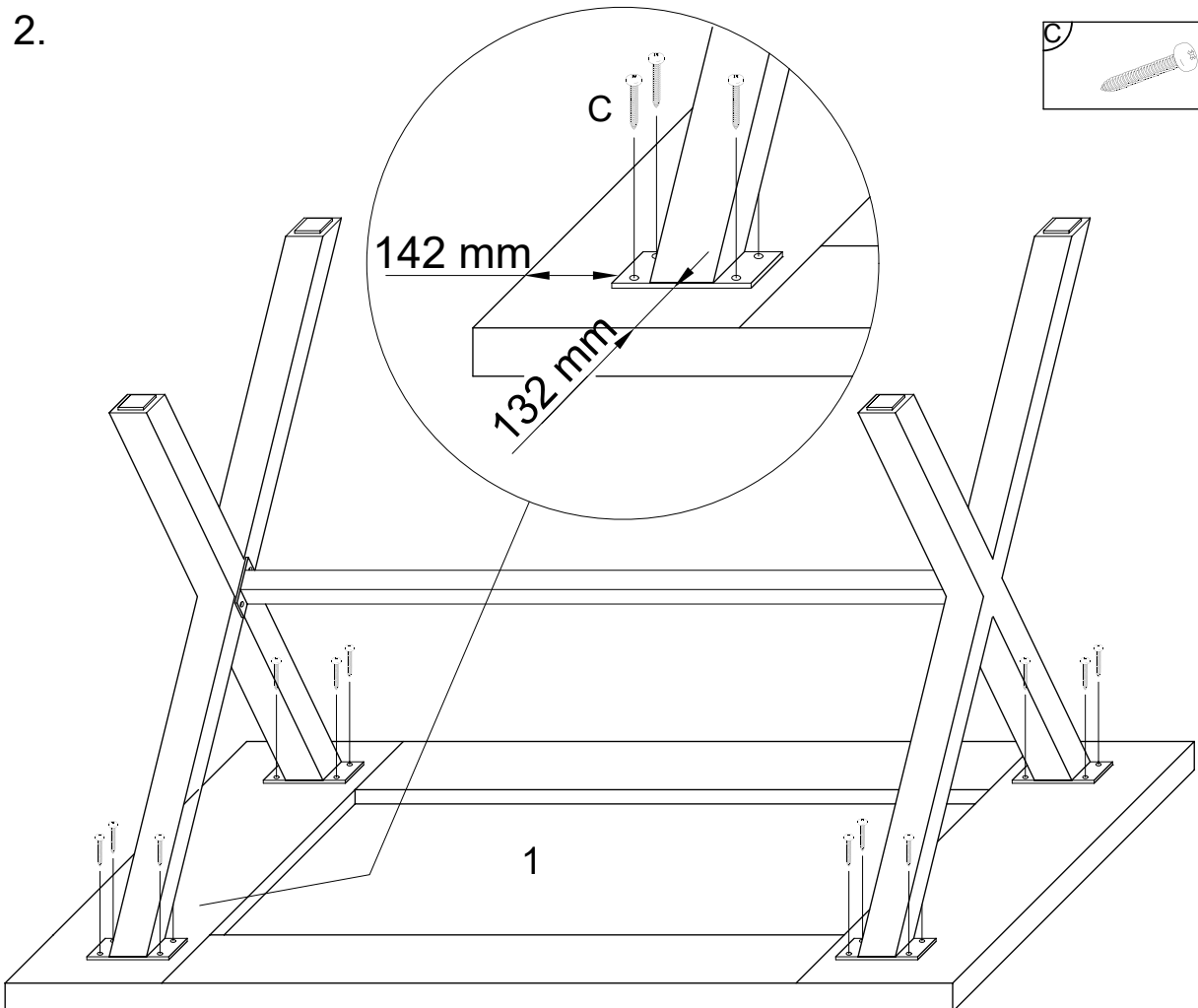
I.

1.



A	M6x12
	4x
B	SW 4
	1x

2.



C	4,5x35
	16x

II.

3.

