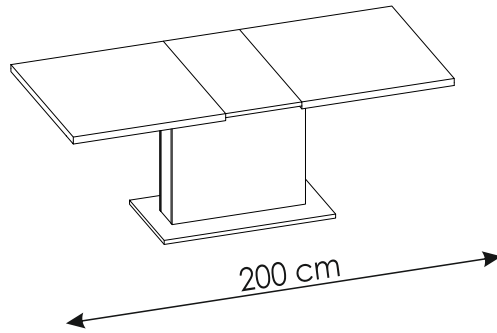


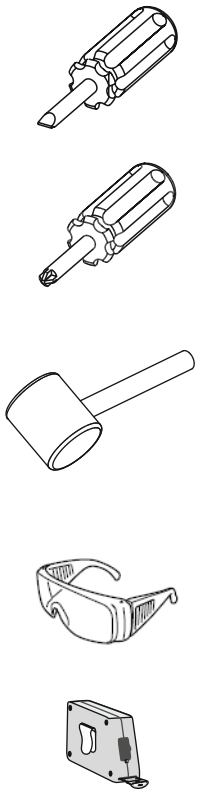
MDT20



40 min



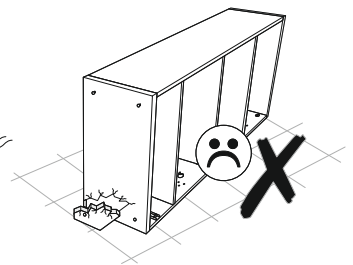
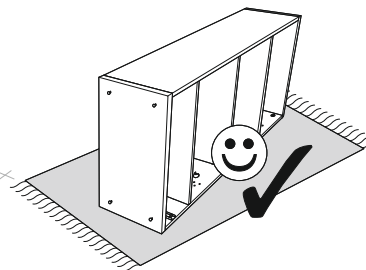
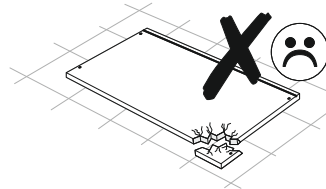
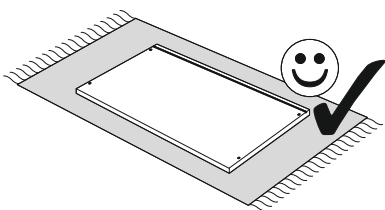
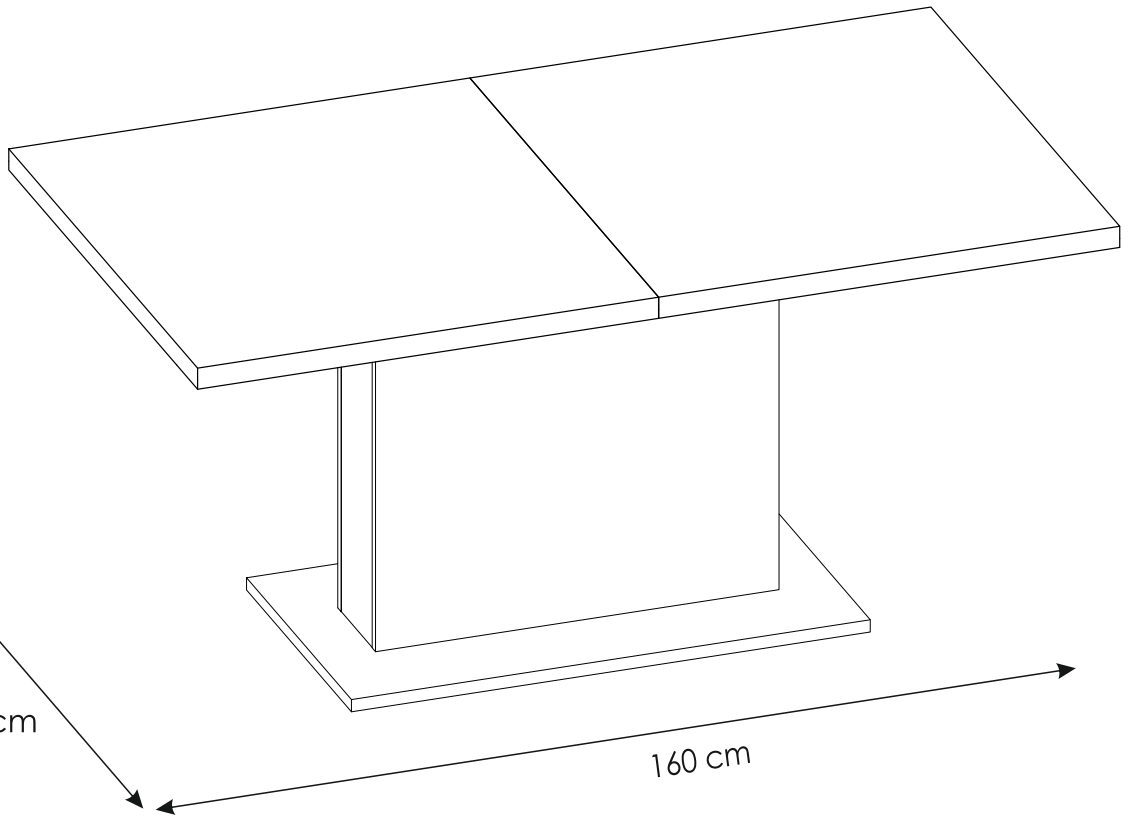
200 cm

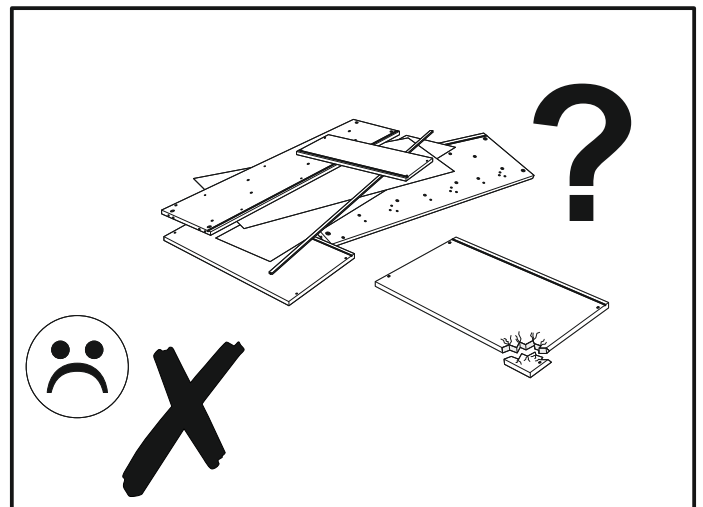
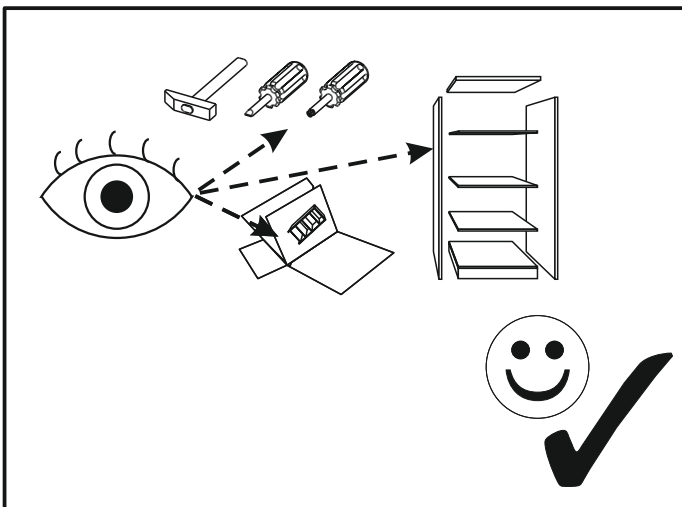
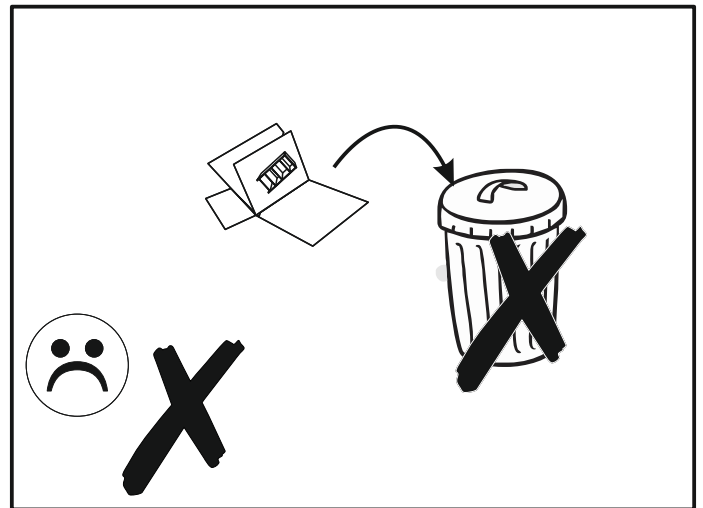
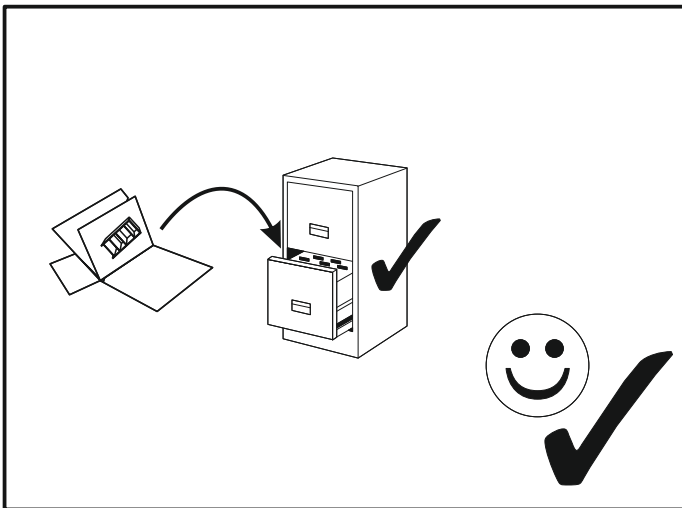
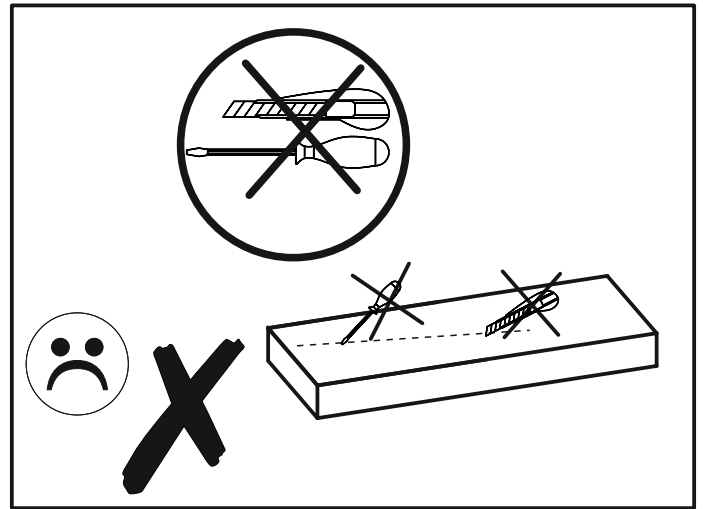
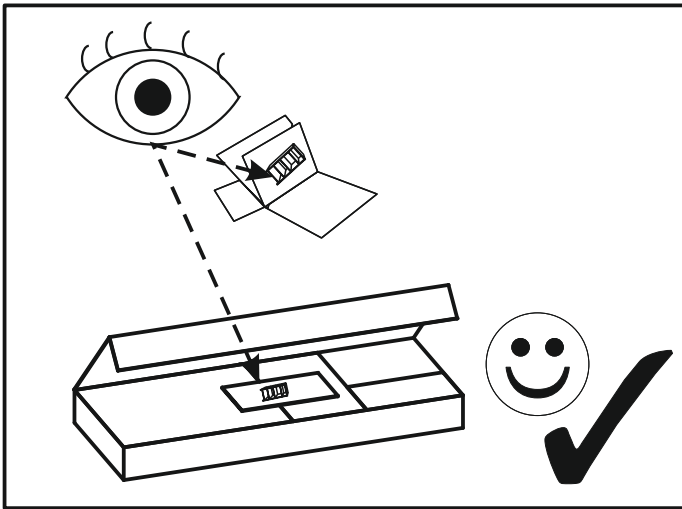


76 cm

90 cm

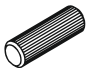

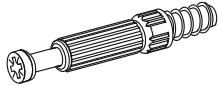
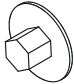
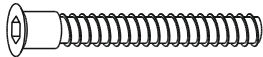

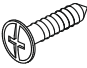
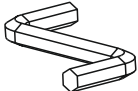

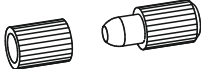
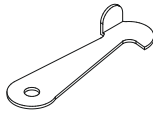

160 cm

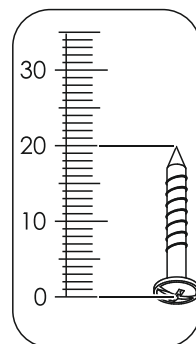
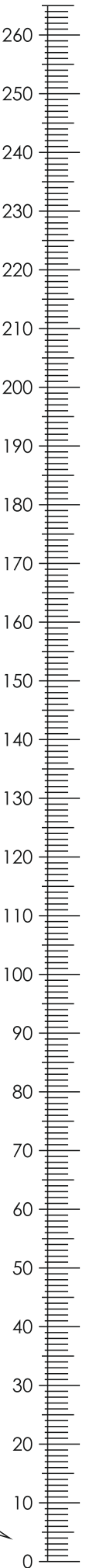




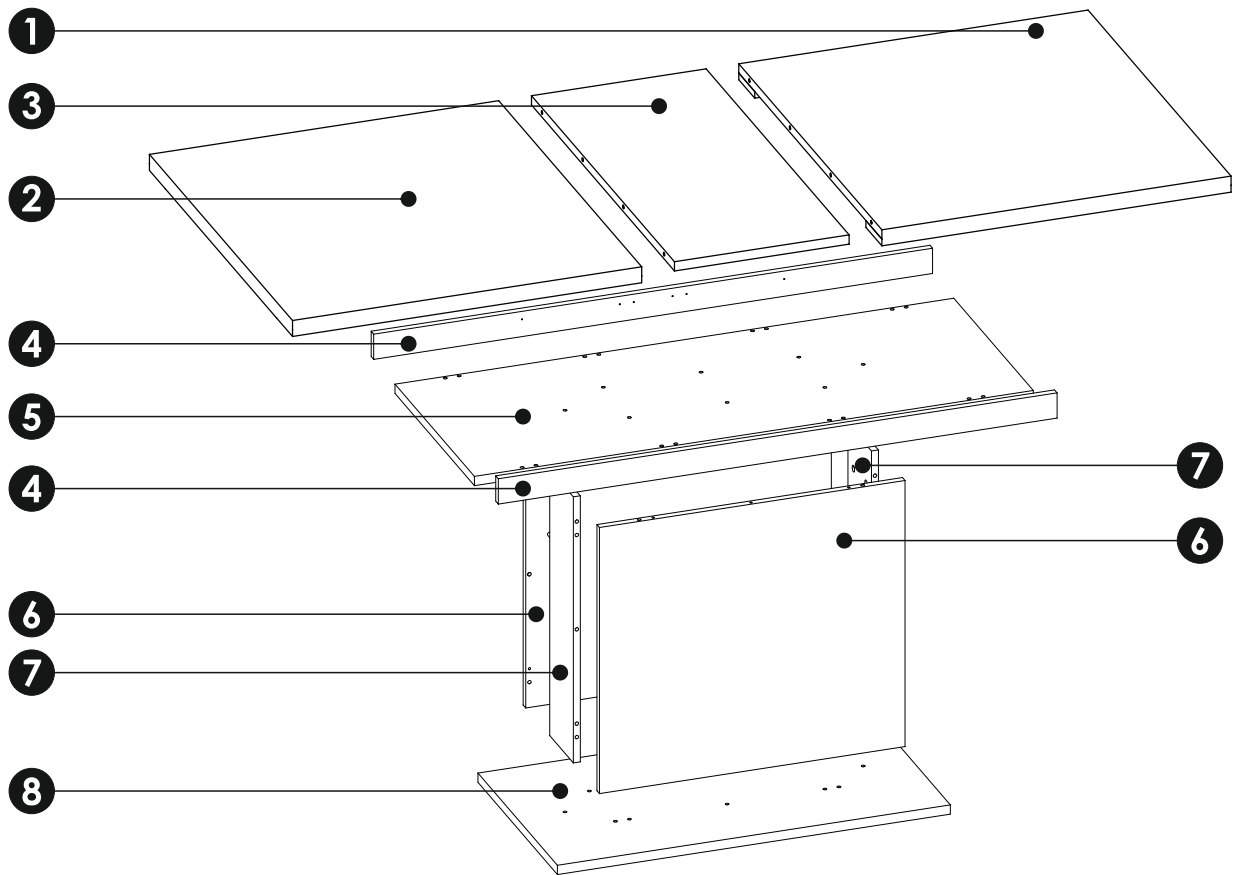
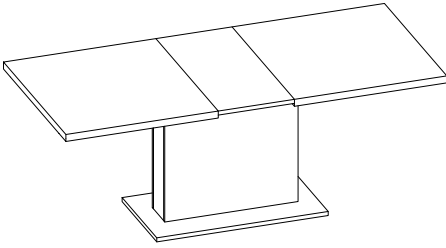
MDT20

MM

A1 8 x 35 mm x28 	E1 $\varnothing 15 \times 12,5$ mm x8 	F1 6 x 34 mm x8 
G0 x8 	G2 7 x 60 mm x24 	I2 4 x 16 mm x24 
I3 4 x 20 mm x20 	M x1 	O2A $\varnothing 20$ x14 
R8 x8 	S19 x4 	T10 x2 

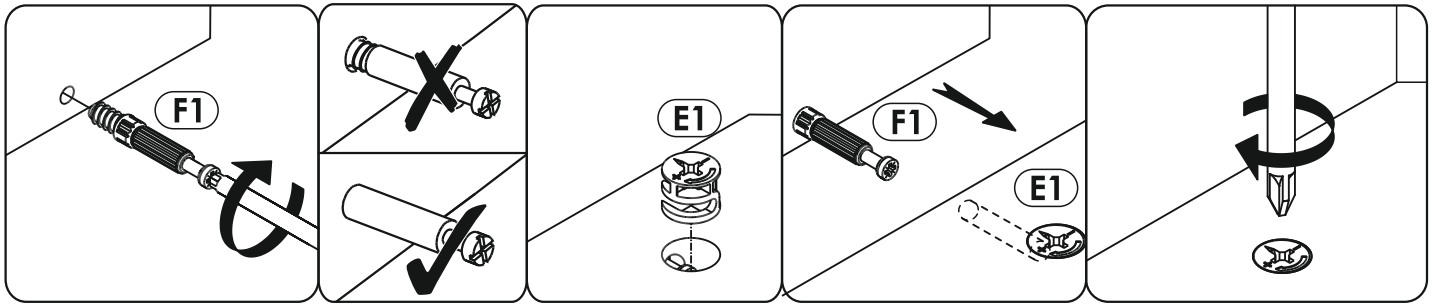


MDT20

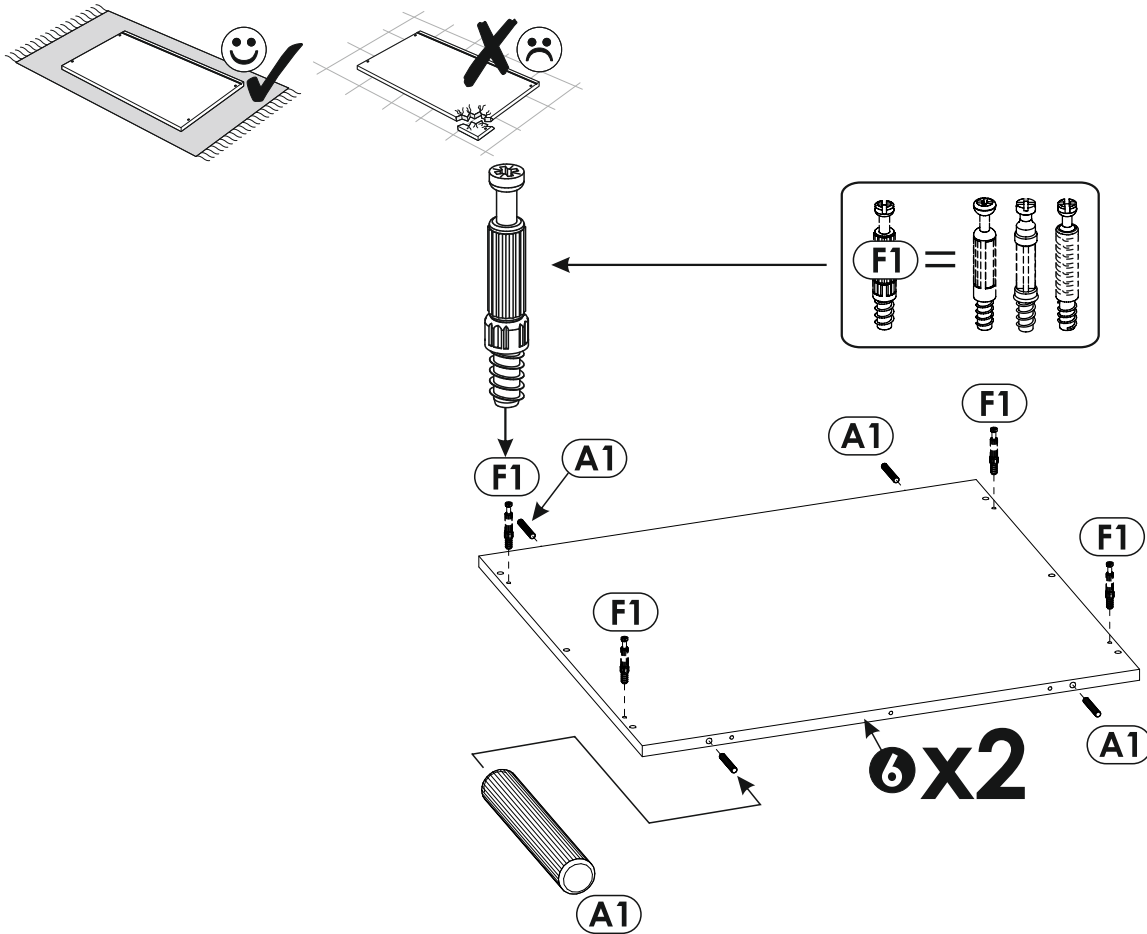


1	900	800	22	x1	1/2
2	900	800	22	x1	1/2
3	900	400	22	x1	2/2
4	1280	60	16	x2	2/2

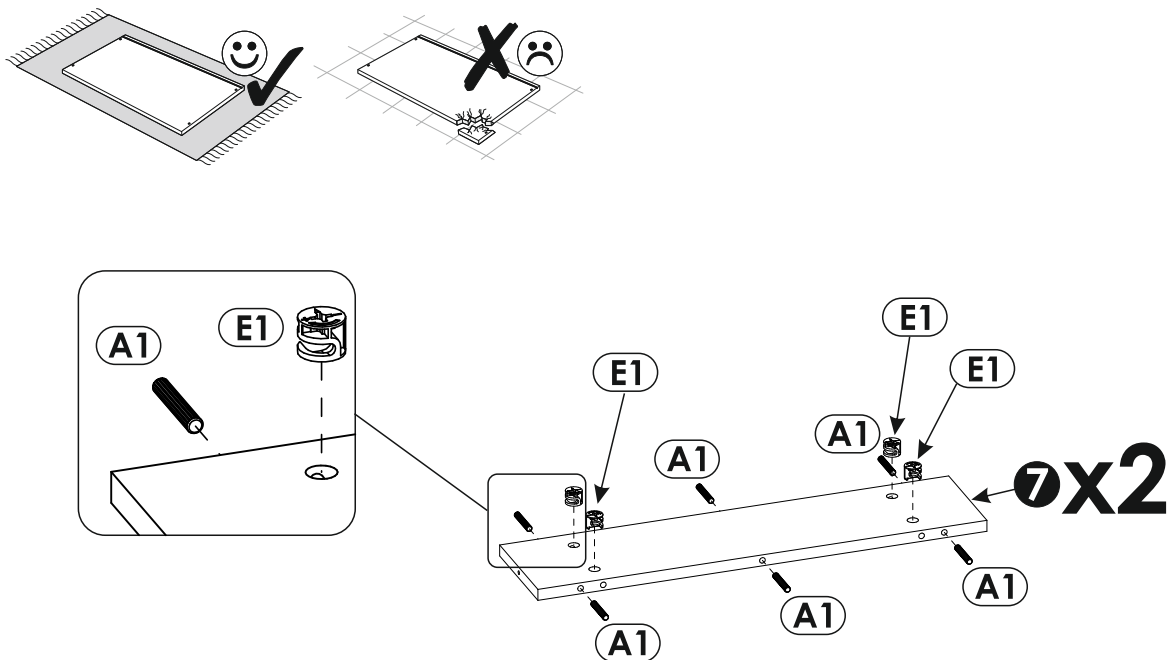
5	1280	500	22	x1	2/2
6	700	632	16	x2	1/2
7	148	632	16	x2	2/2
8	900	500	22	x1	2/2



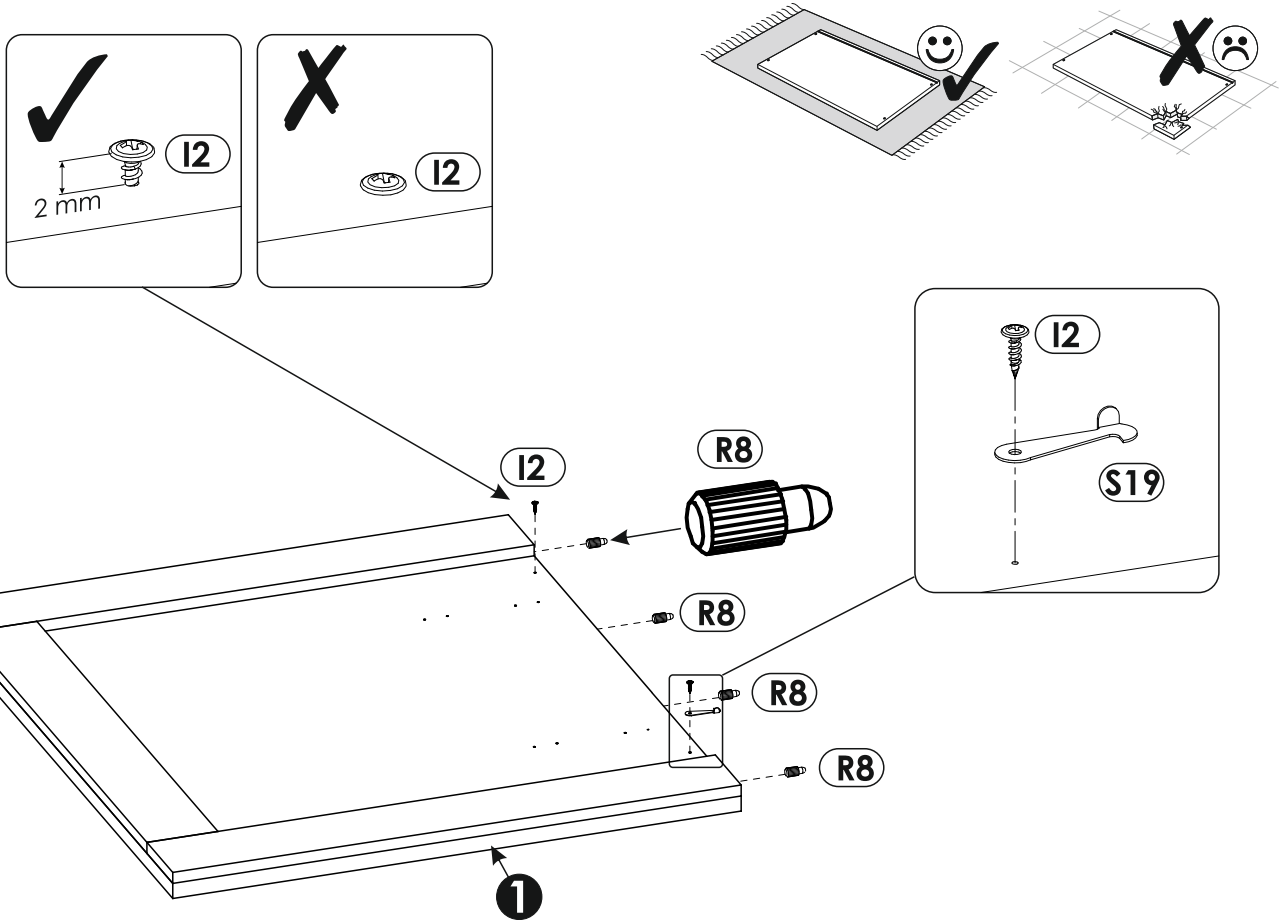
1 ▶



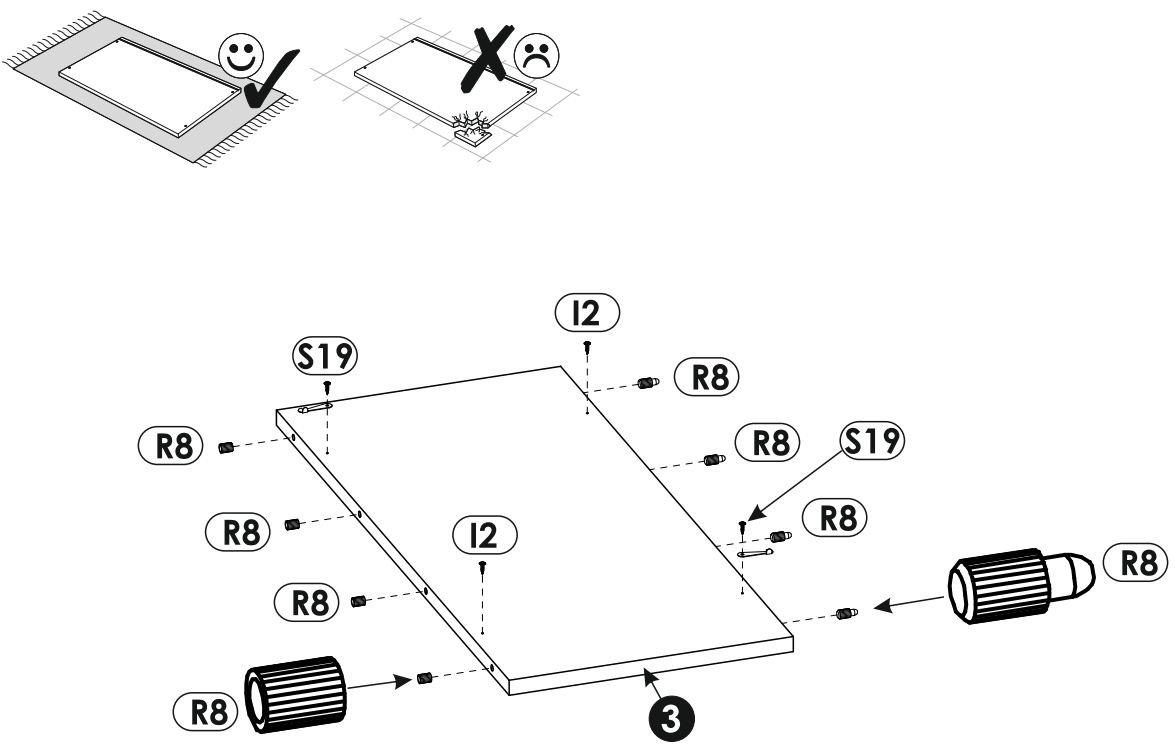
2 ▶



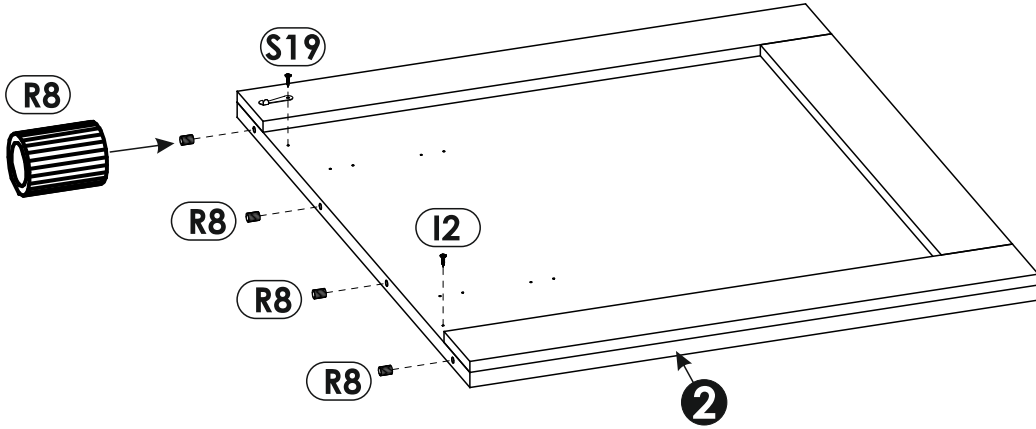
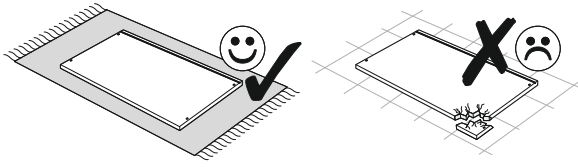
3 ▶



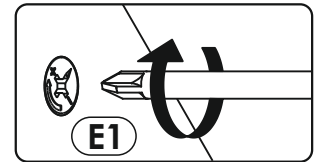
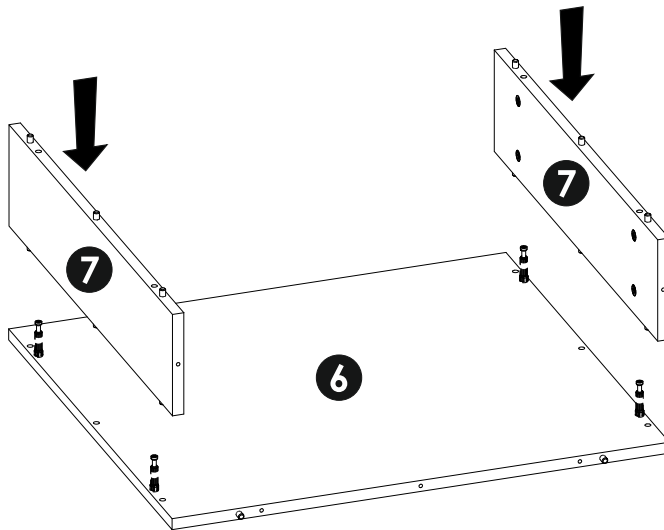
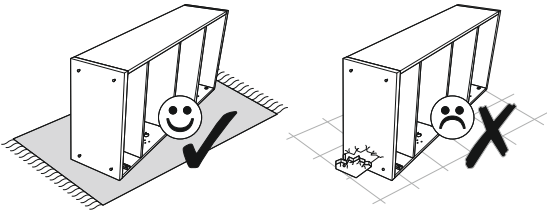
4 ▶



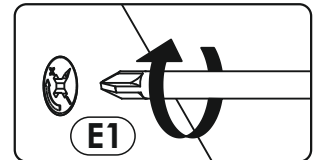
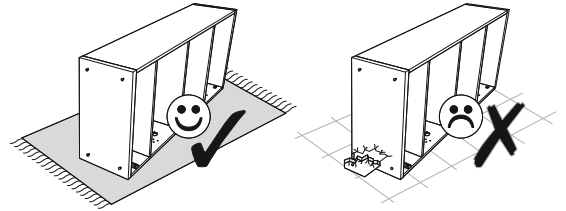
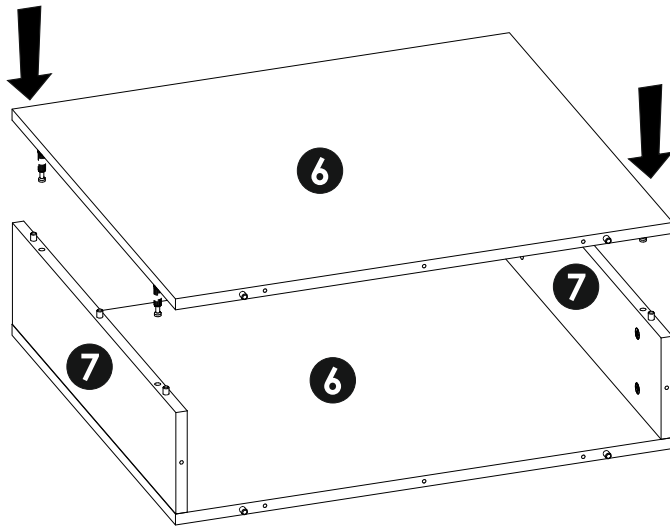
5 ▶



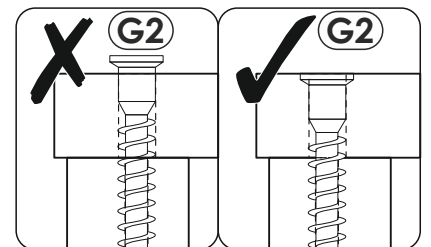
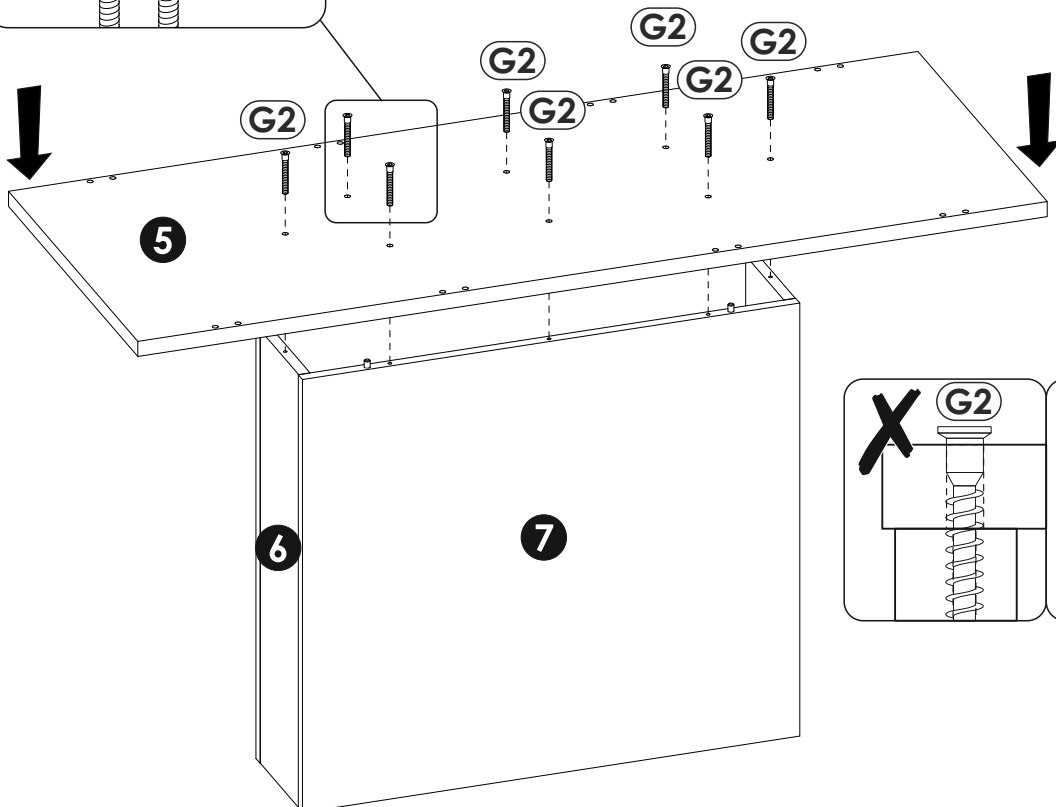
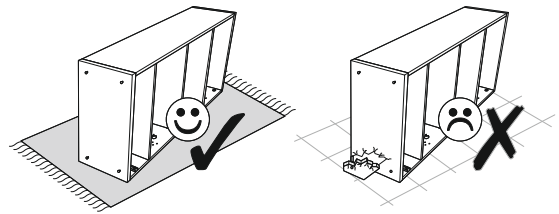
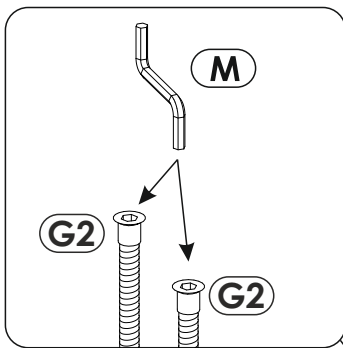
6 ▶



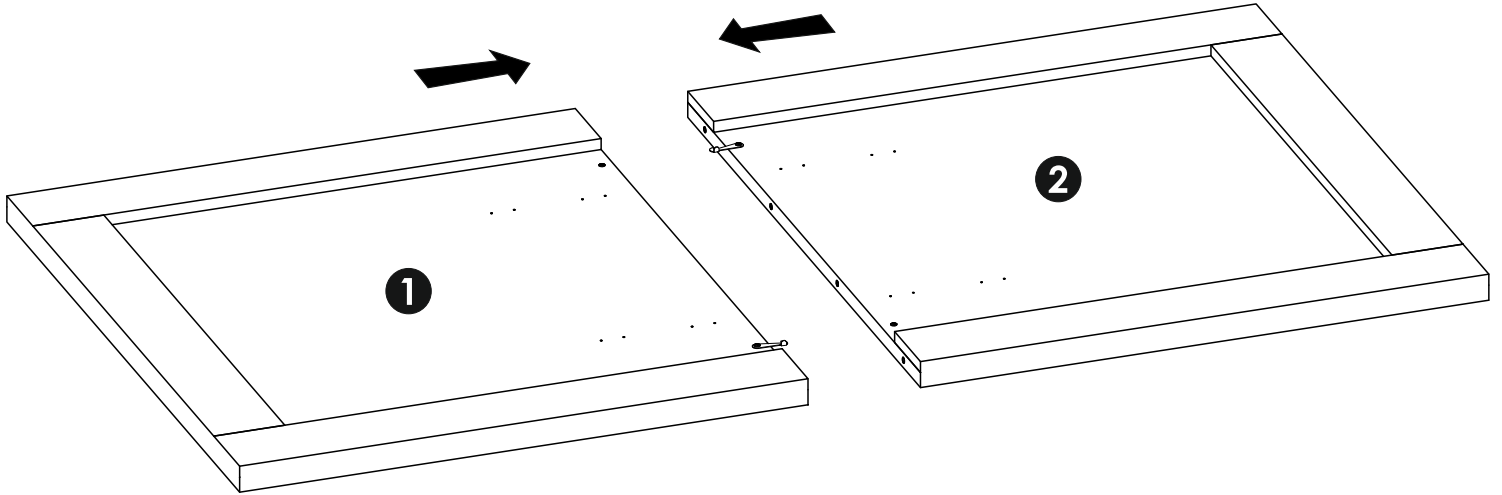
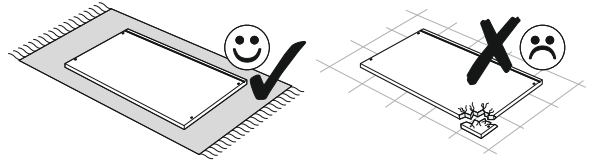
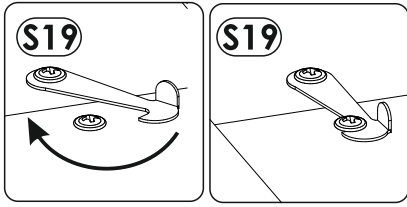
7 ▶



8 ▶

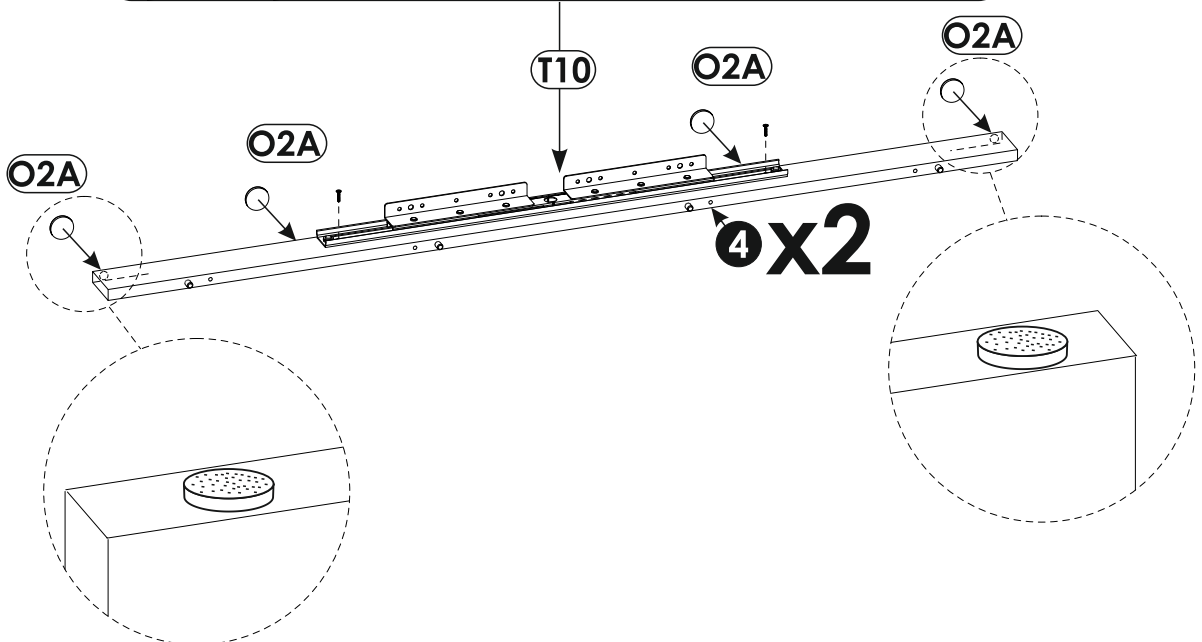
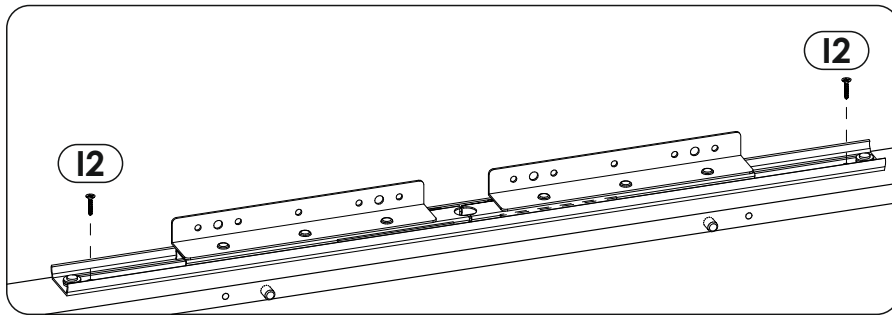
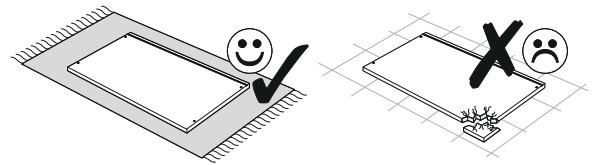


9 ▶

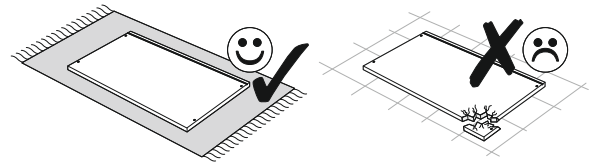


10 ▶

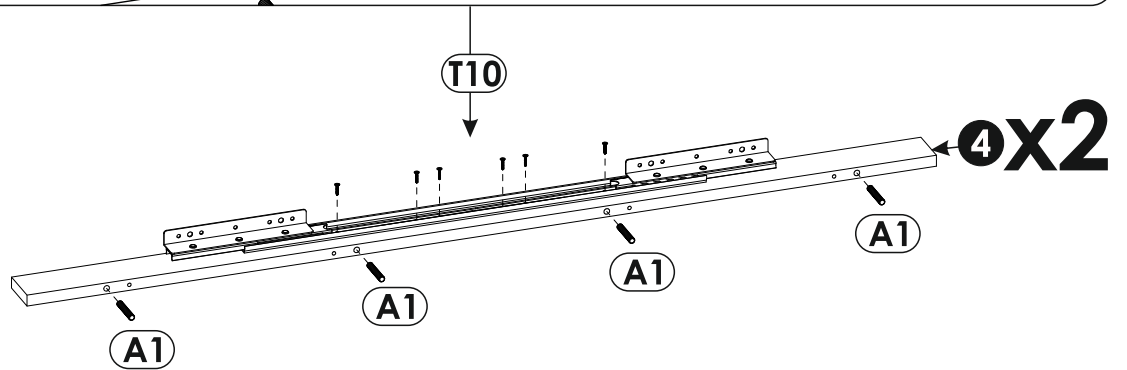
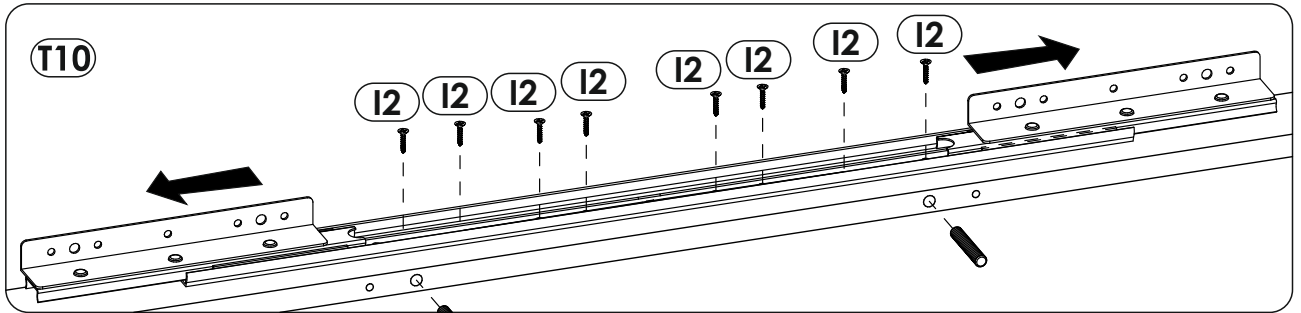
a ▶



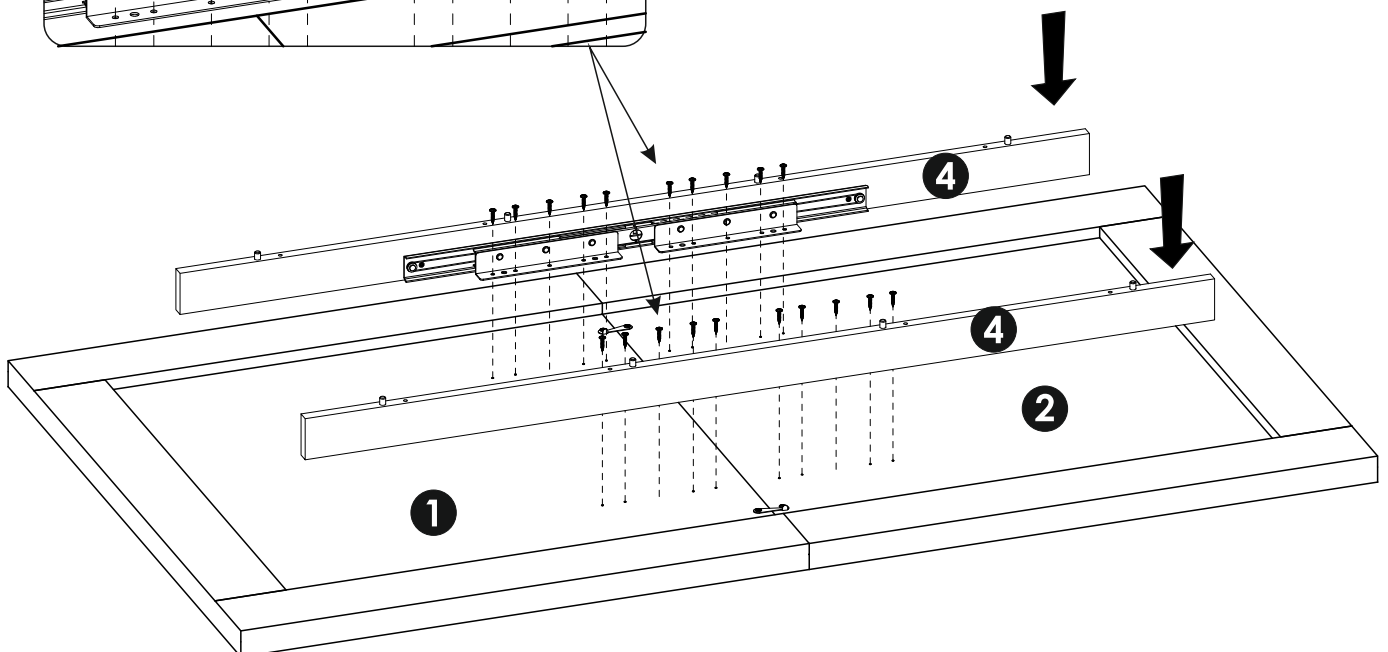
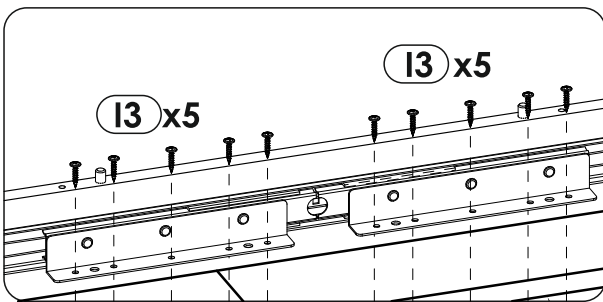
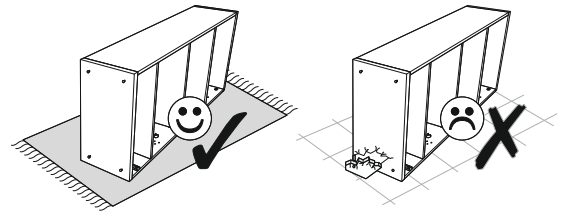
10 ▶



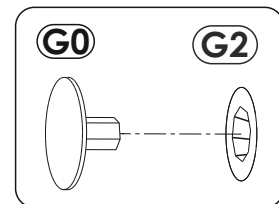
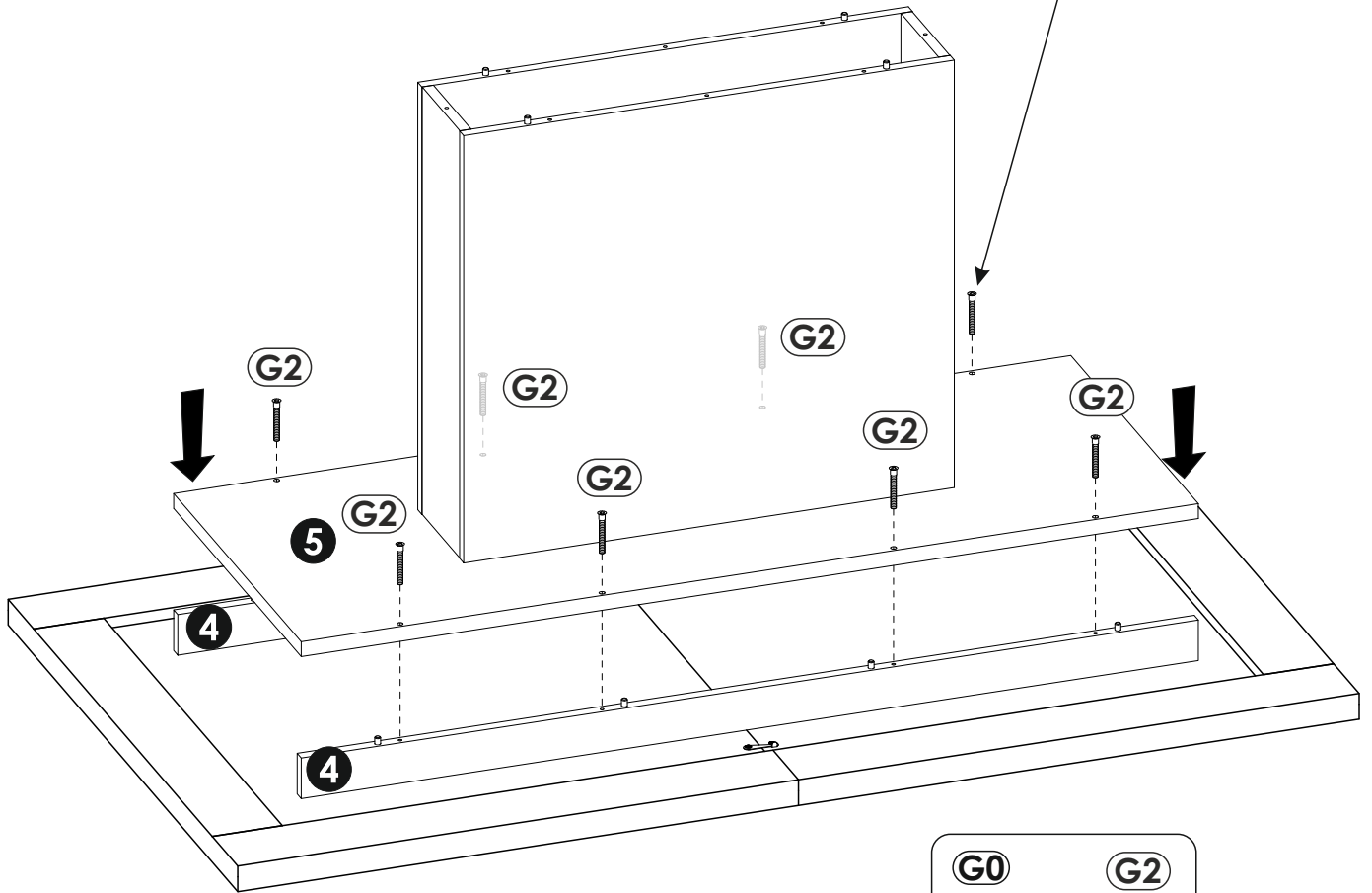
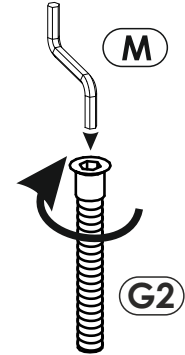
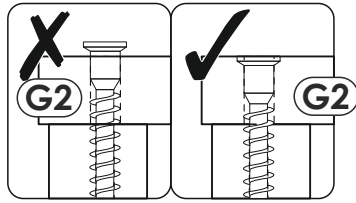
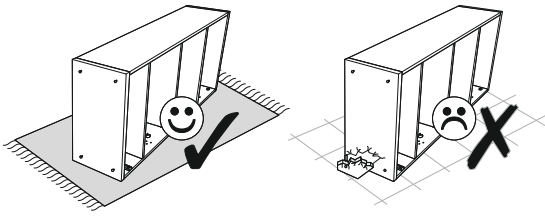
b ▶



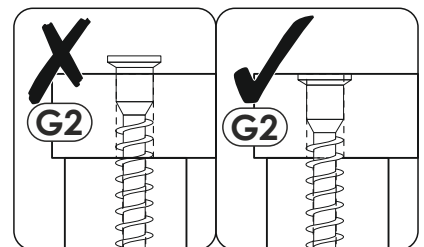
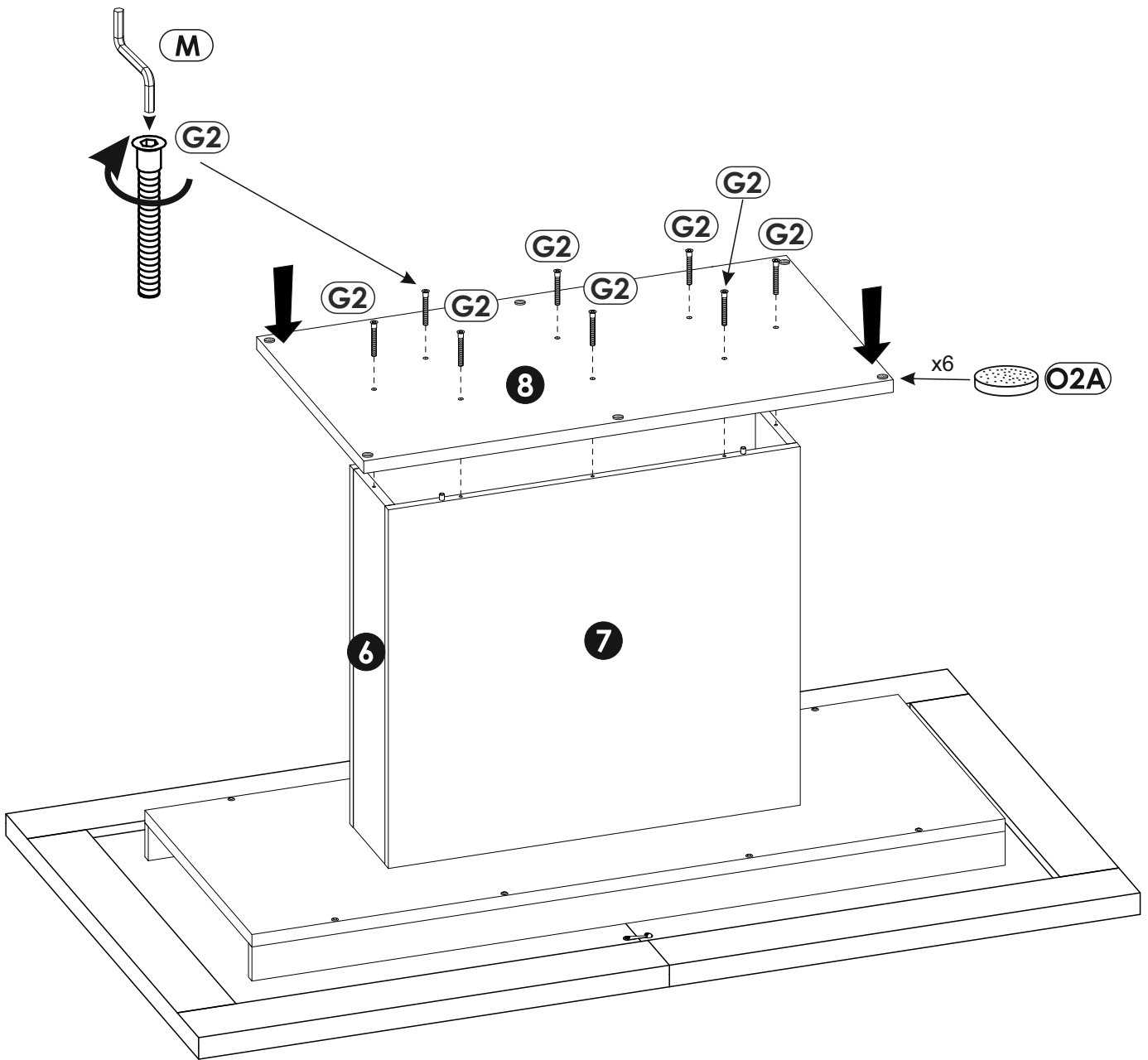
11 ▶



12▶



13▶



14▶

