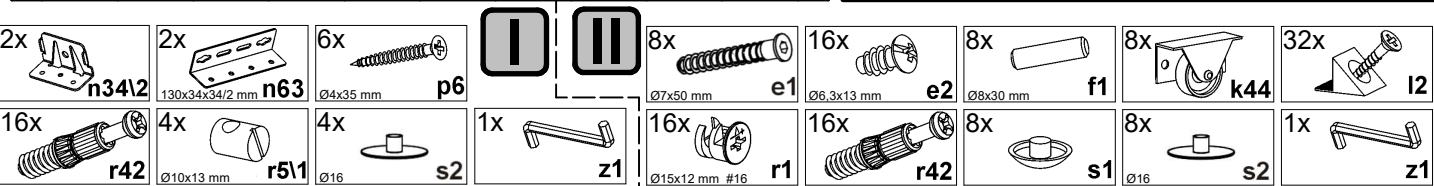
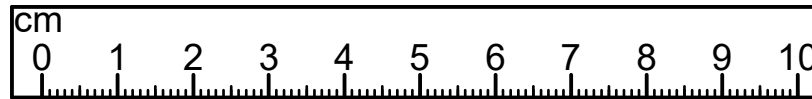
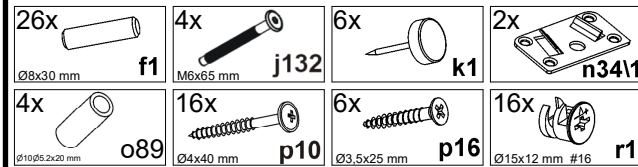
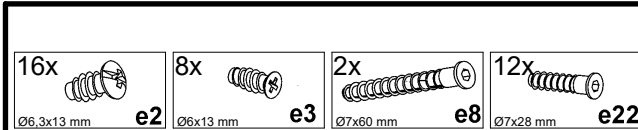
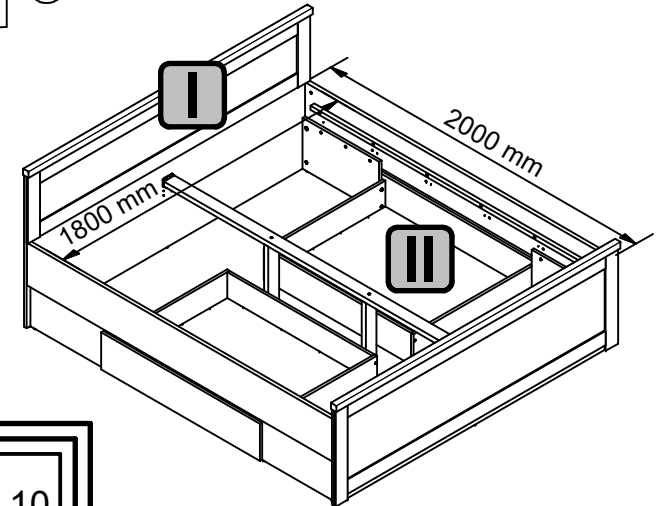
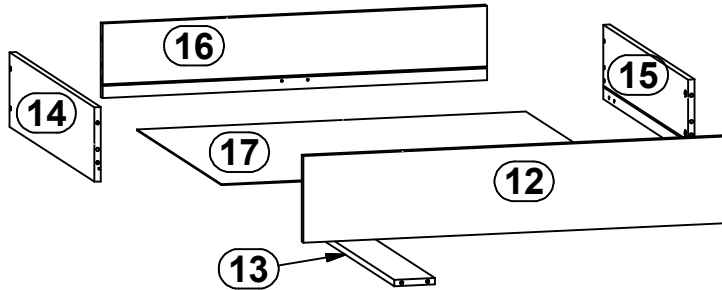
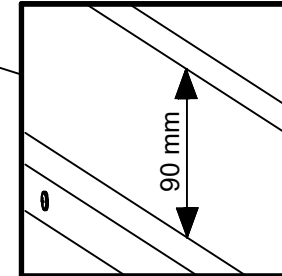
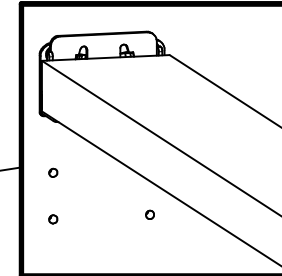
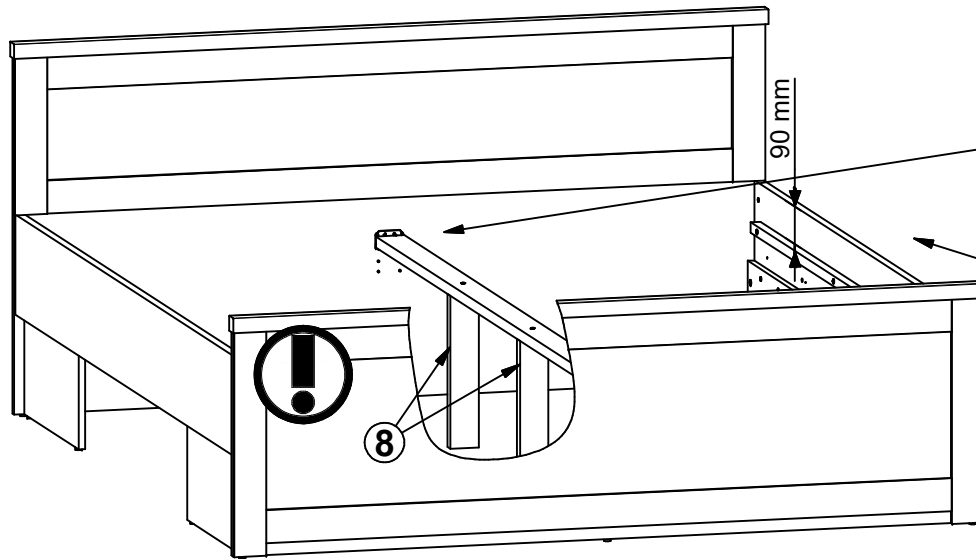


| A | B | C (mm) | | D | |
|----|------------|--------|-----|----|-----|
| 1 | L30-006 | 1850 | 864 | 25 | 1/4 |
| 2 | L30-007 | 1850 | 544 | 25 | 2/4 |
| 3 | L30-105 | 2000 | 242 | 22 | 3/4 |
| 4 | L30-106 | 2000 | 242 | 22 | 3/4 |
| 5 | L30-402 | 500 | 290 | 16 | 3/4 |
| 6 | L30-403 | 500 | 290 | 16 | 3/4 |
| 7 | L30-575-01 | 1860 | 36 | 36 | 3/4 |
| 8 | ZZ1-425 | 370 | 70 | 27 | 3/4 |
| 9 | ZZ1-426 | 306 | 70 | 27 | 3/4 |
| 10 | ZZ1-719 | 1983 | 70 | 27 | 3/4 |
| 11 | ZZ1-747 | 1880 | 25 | 25 | 3/4 |

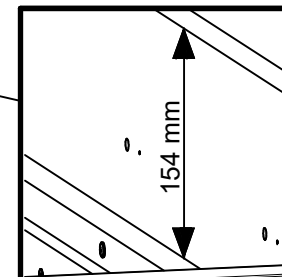
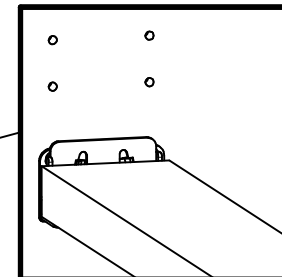
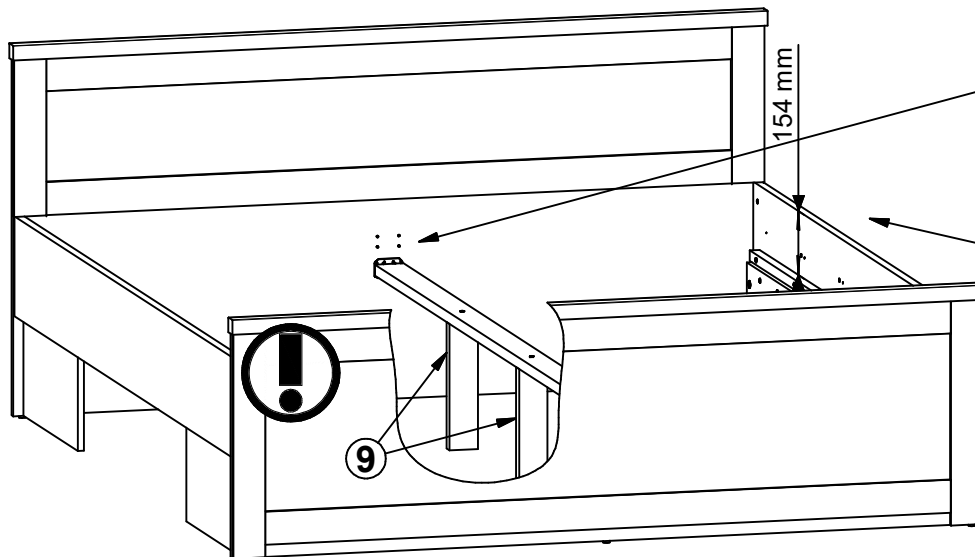
| A | B | C (mm) | | D | |
|----|---------|--------|-----|-----|-----|
| 12 | L30-008 | 1040 | 210 | 16 | 4/4 |
| 13 | L30-404 | 763 | 100 | 16 | 4/4 |
| 14 | L30-504 | 780 | 180 | 16 | 4/4 |
| 15 | L30-505 | 780 | 180 | 16 | 4/4 |
| 16 | L30-506 | 948 | 180 | 16 | 4/4 |
| 17 | L30-904 | 959 | 777 | 2,5 | 1/4 |

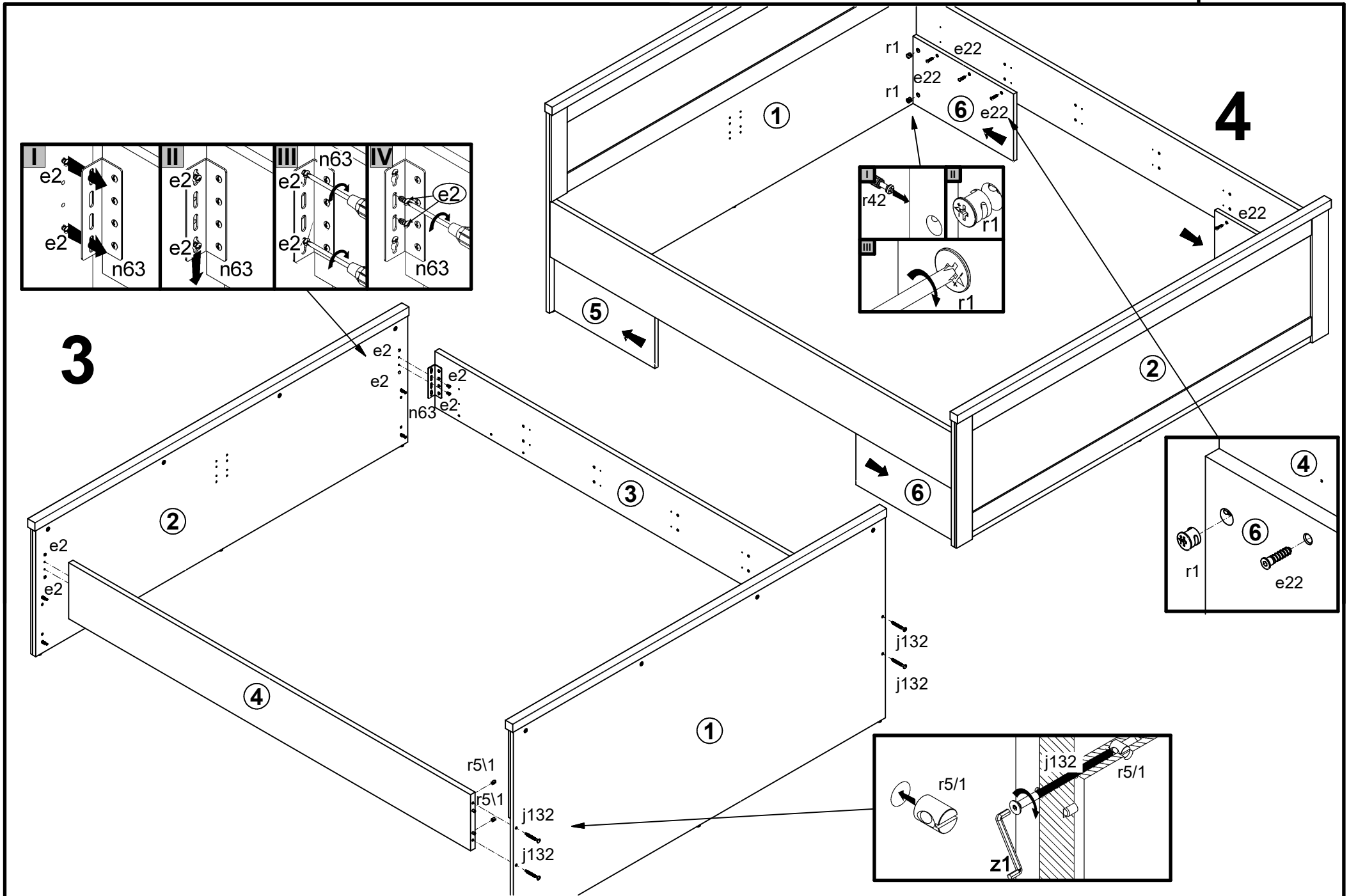


1A

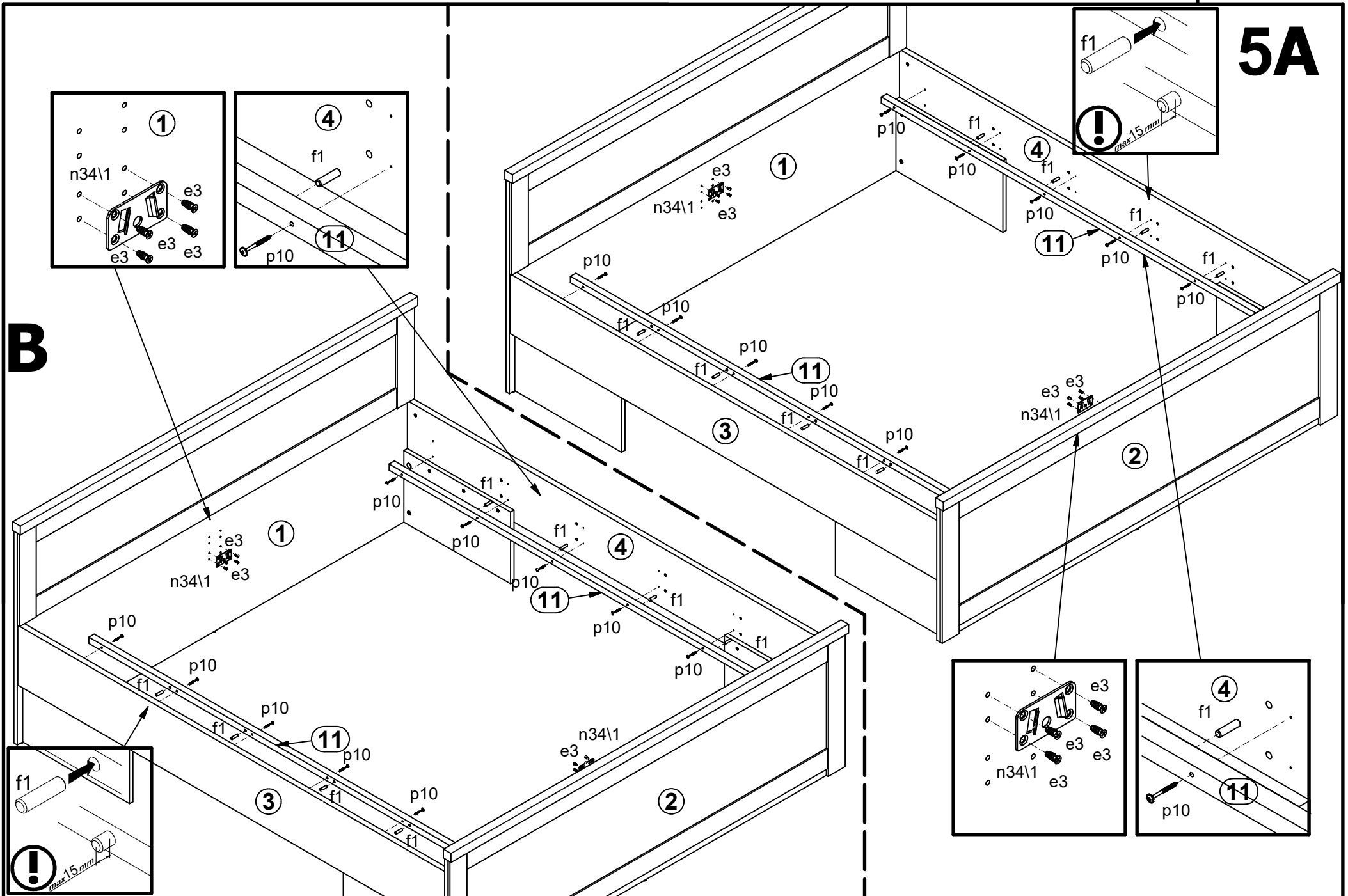


B





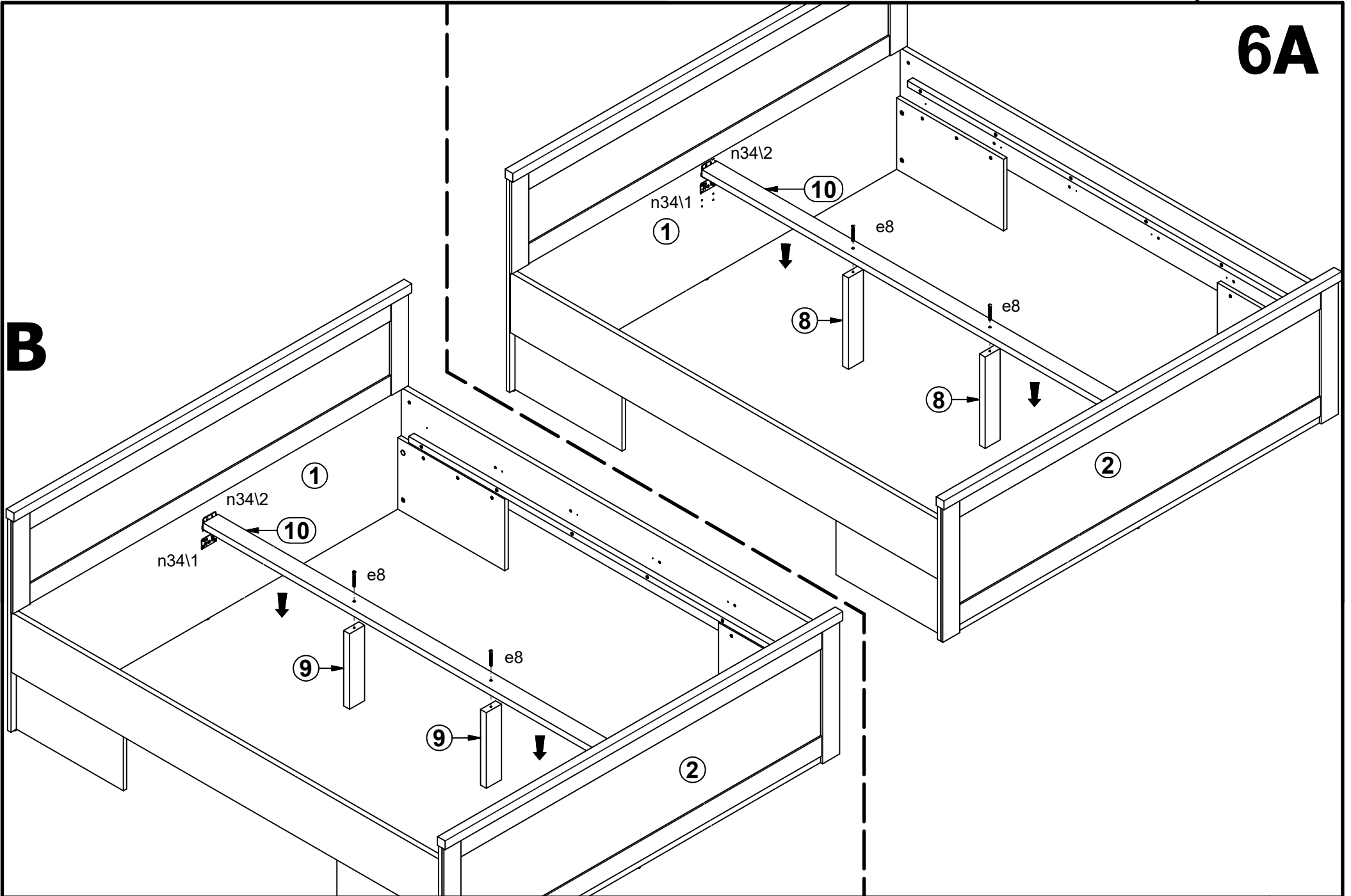
5A



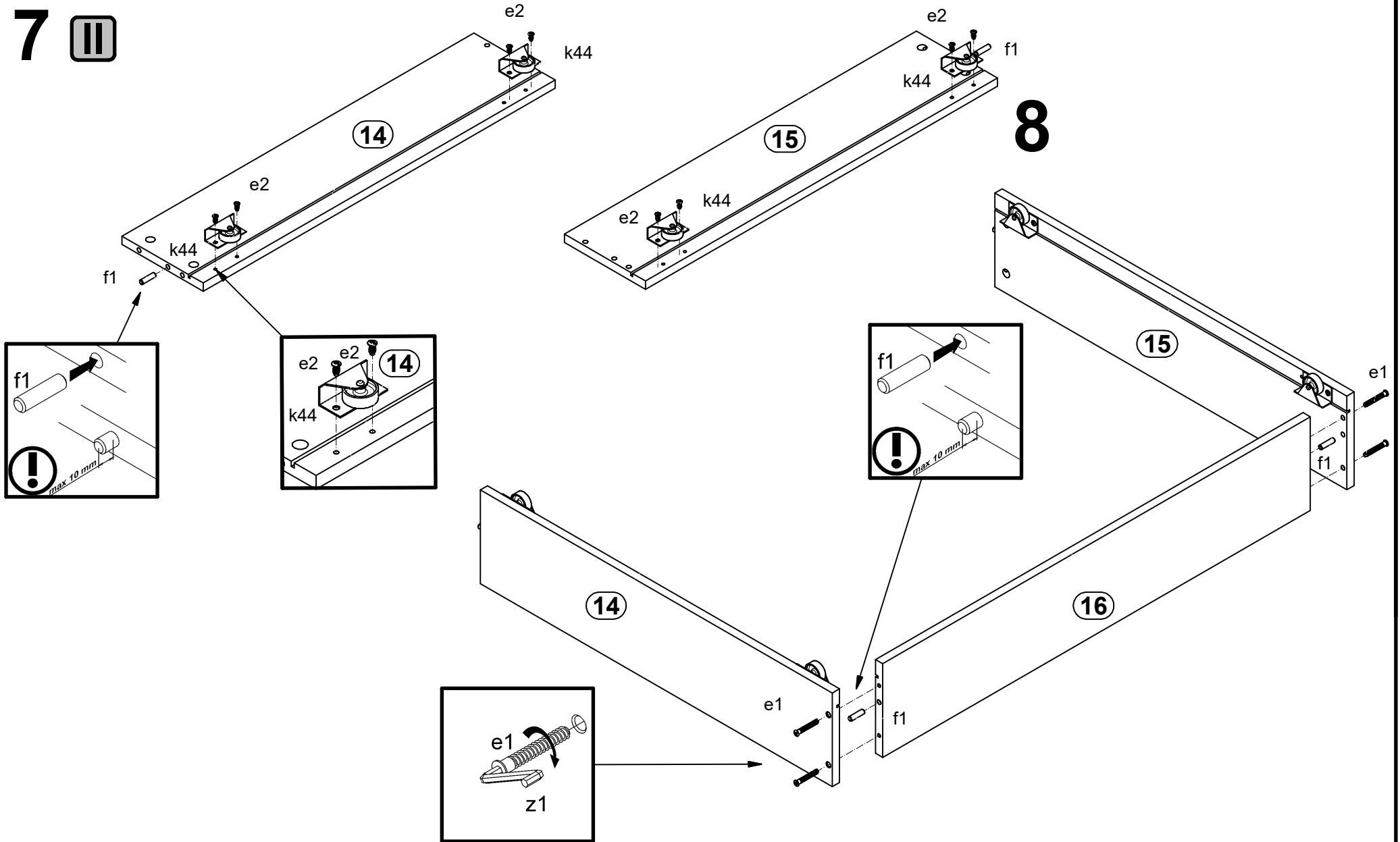
B

6A

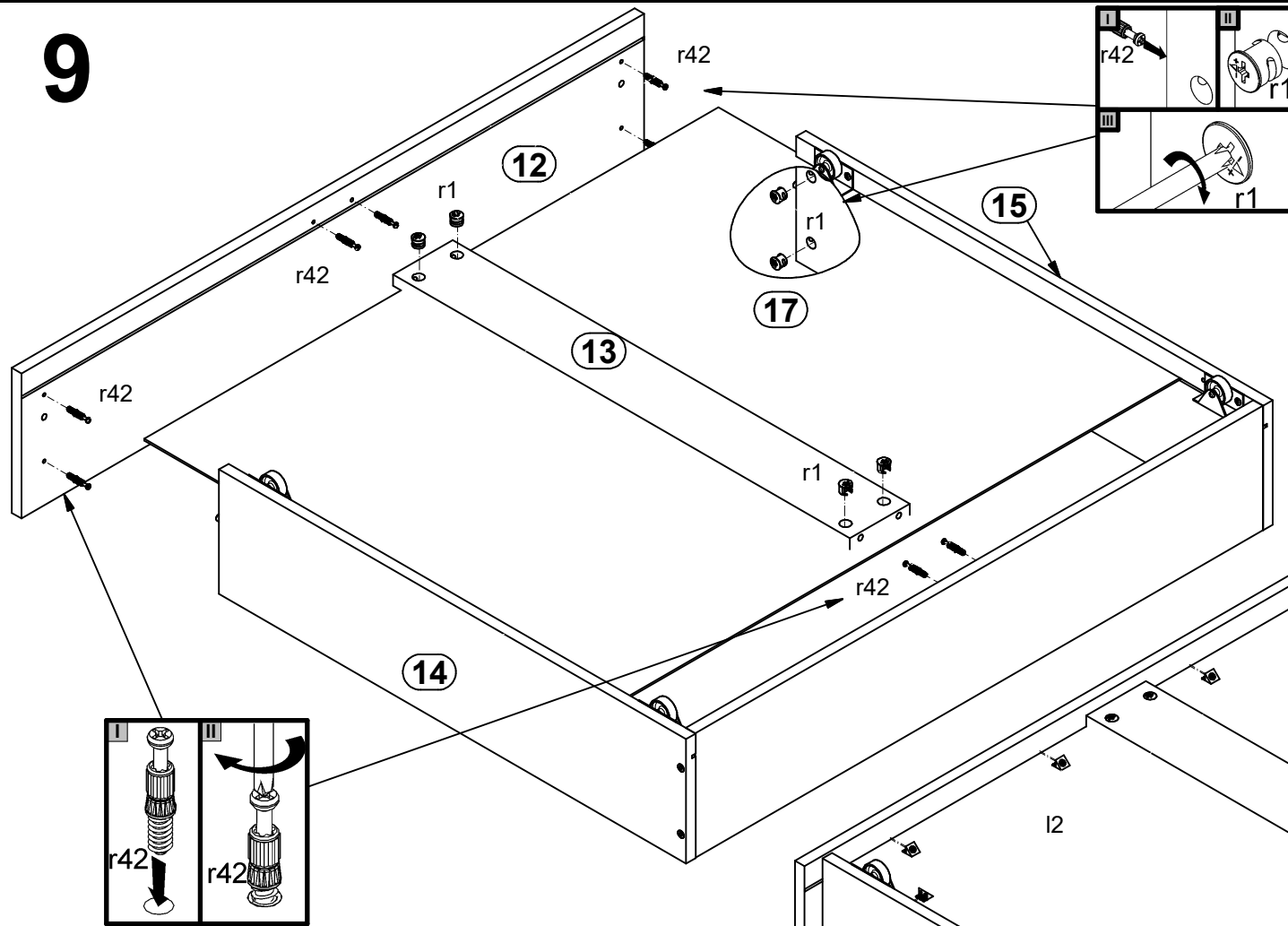
B



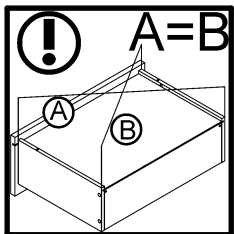
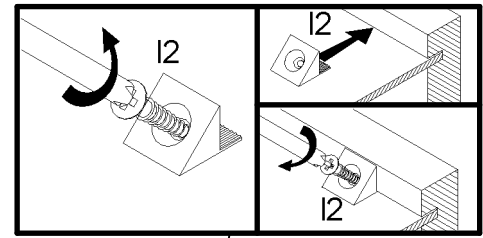
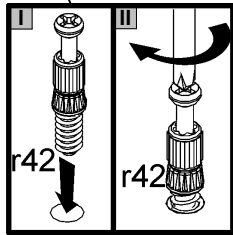
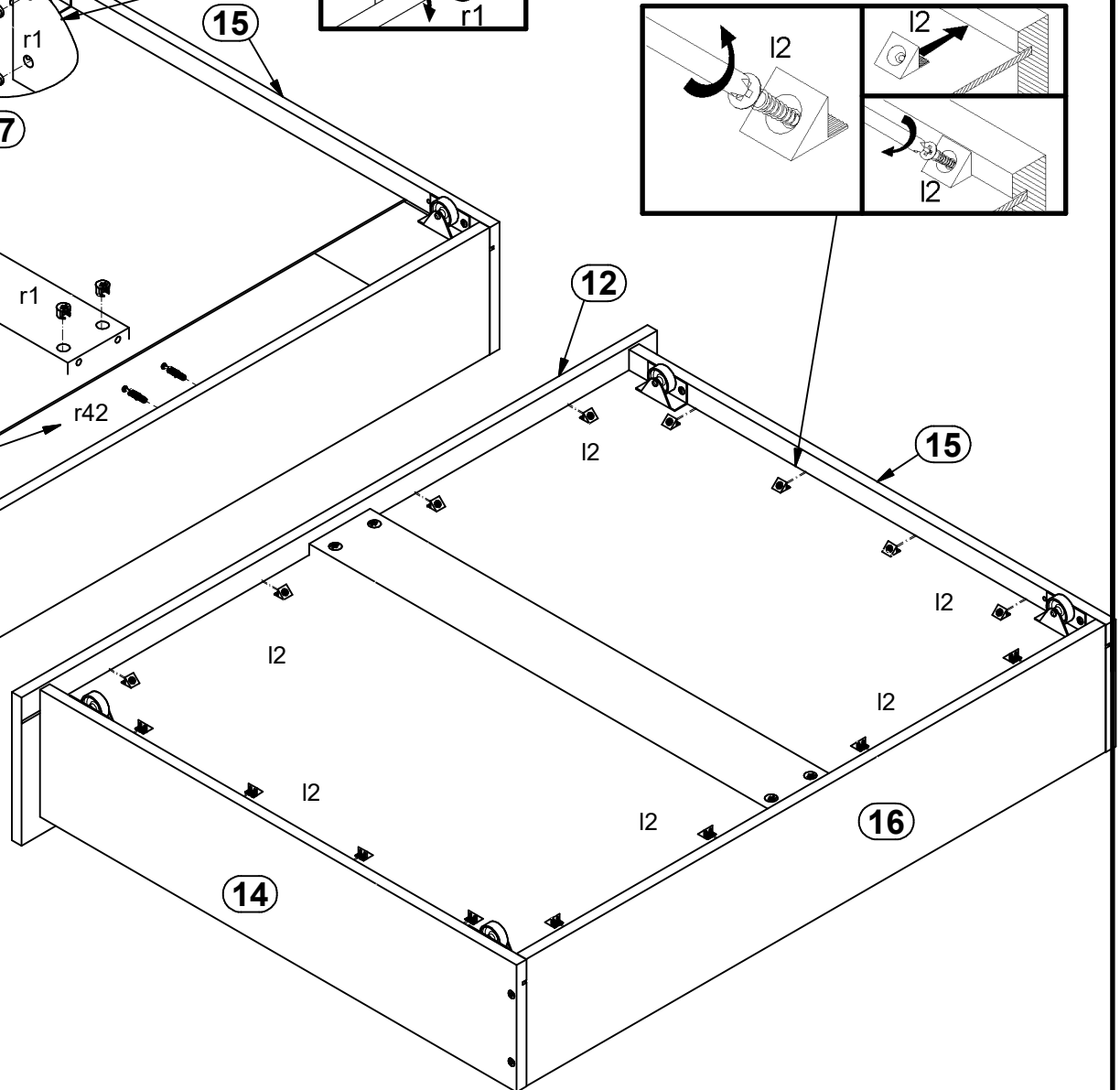
7



9



10



11

