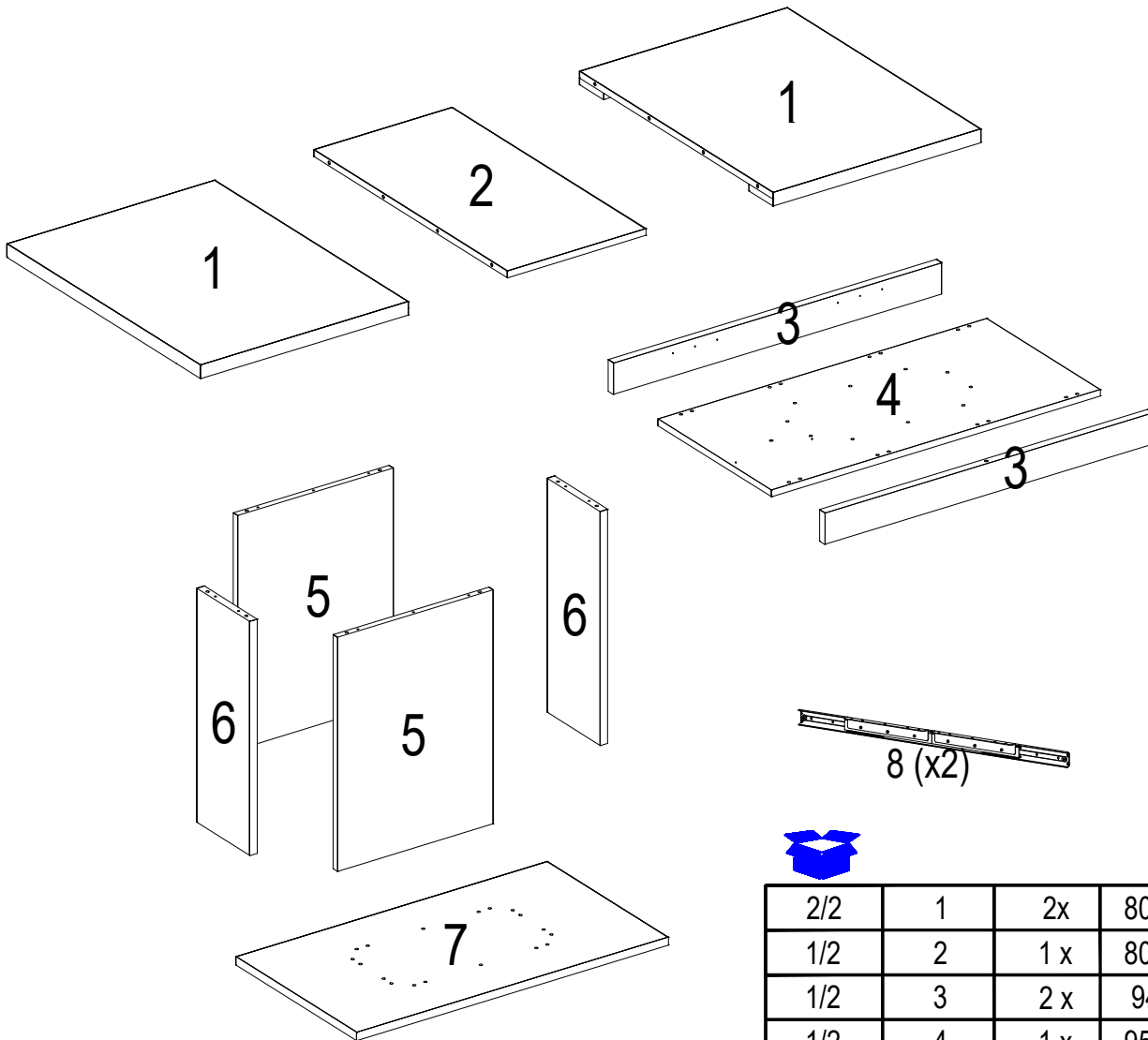
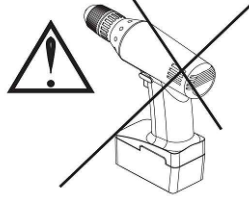
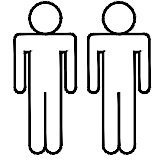
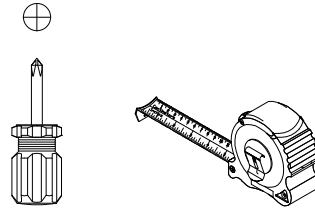
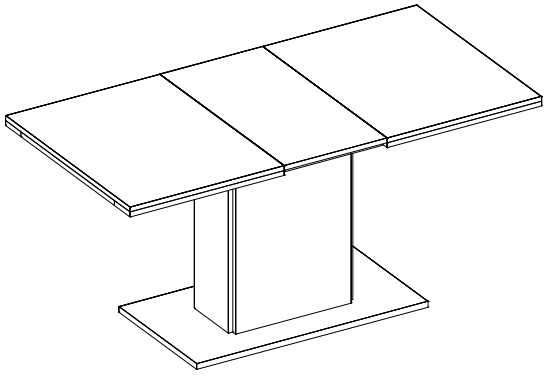


# Alice



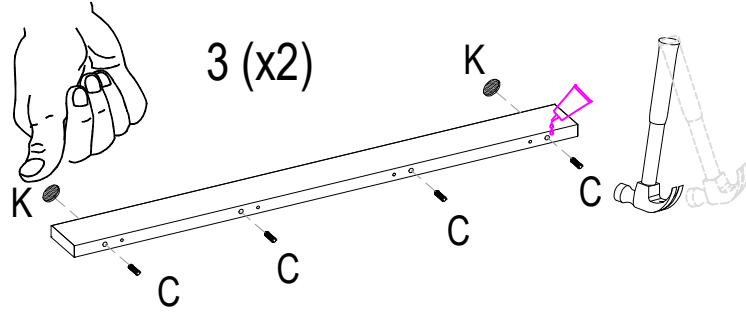
2/2	1	2x	800 x 600 x 36
1/2	2	1 x	800 x 400 x 18
1/2	3	2 x	948 x 83 x 22
1/2	4	1 x	950 x 470 x 18
2/2	5	2 x	616 x 450 x 18
1/2	6	2 x	616 x 220 x 22
1/2	7	1 x	900 x 500 x 22

A	28x	B	18x	C	24x	D	6x	E	2x	F	1x
G	4x	H	44x	I	8x	J	8x	K	6x		

I.

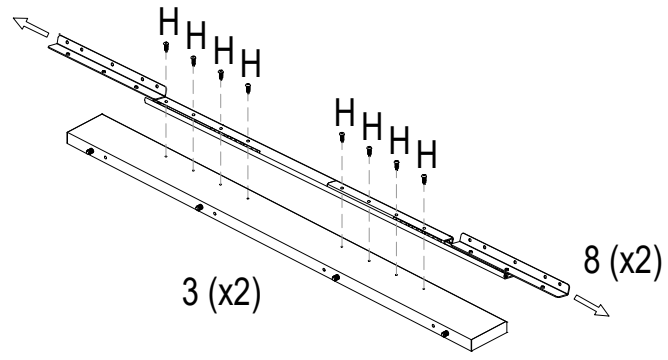
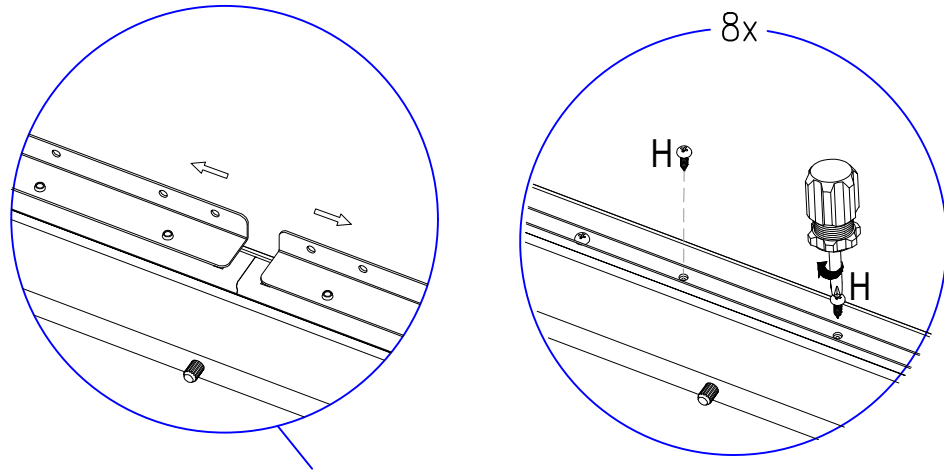
1.

- C** 8x30  
**8x**
- E**  
**1x**
- K** Ø20  
**4x**



2.

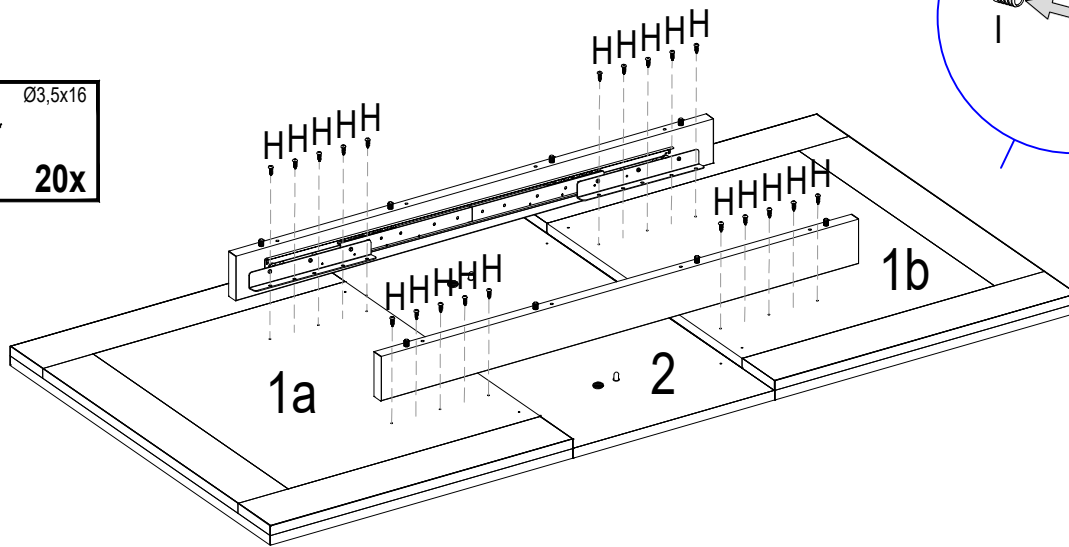
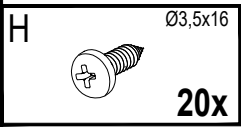
- H** Ø3,5x16  
**16x**



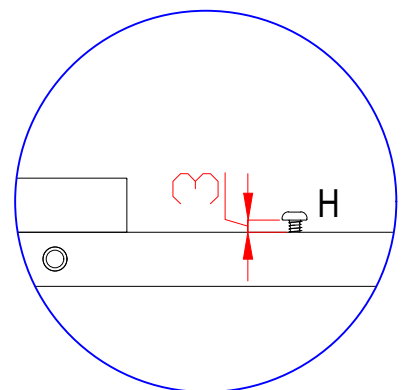
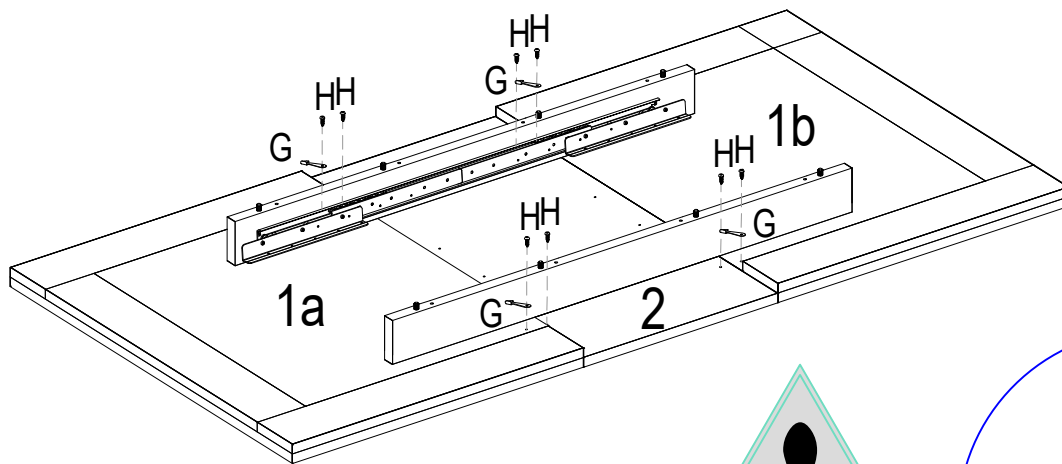
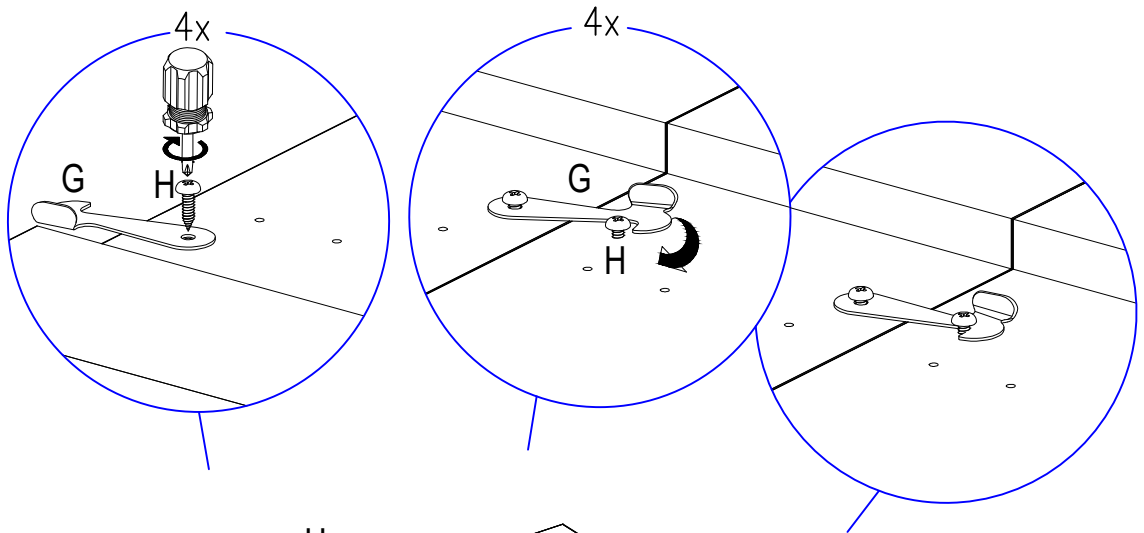
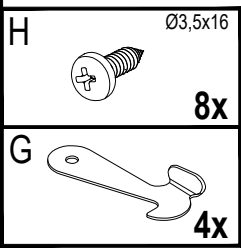


III.

5.

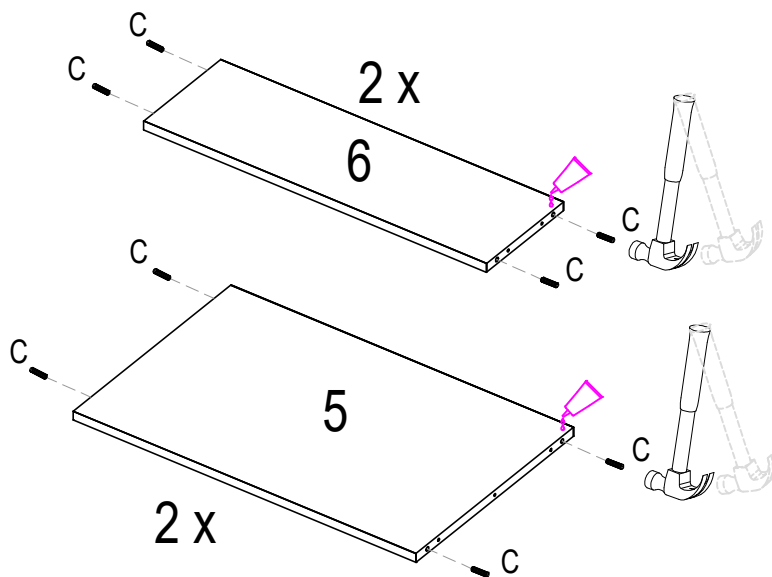
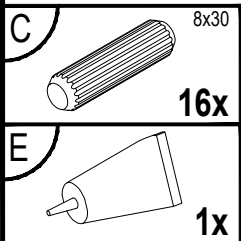


6.

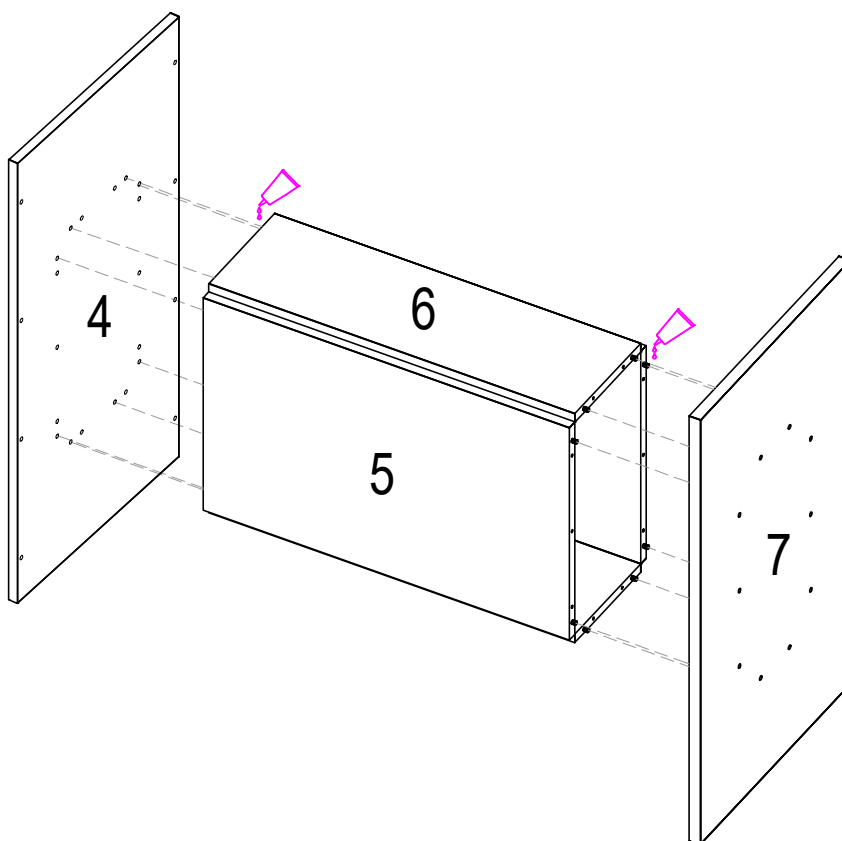
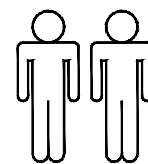
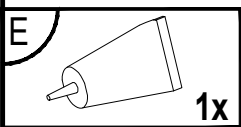


# IV.

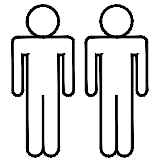
7.



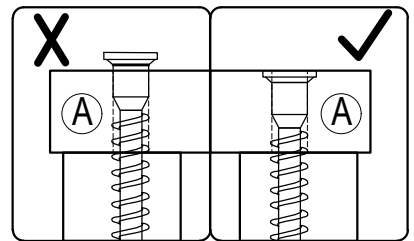
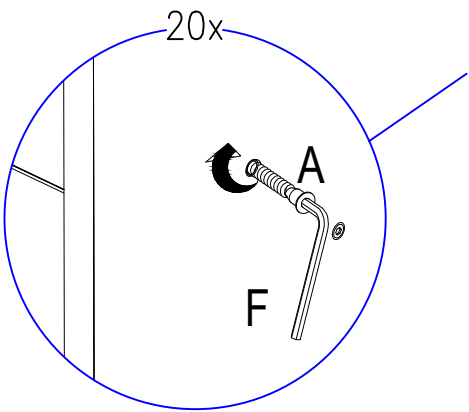
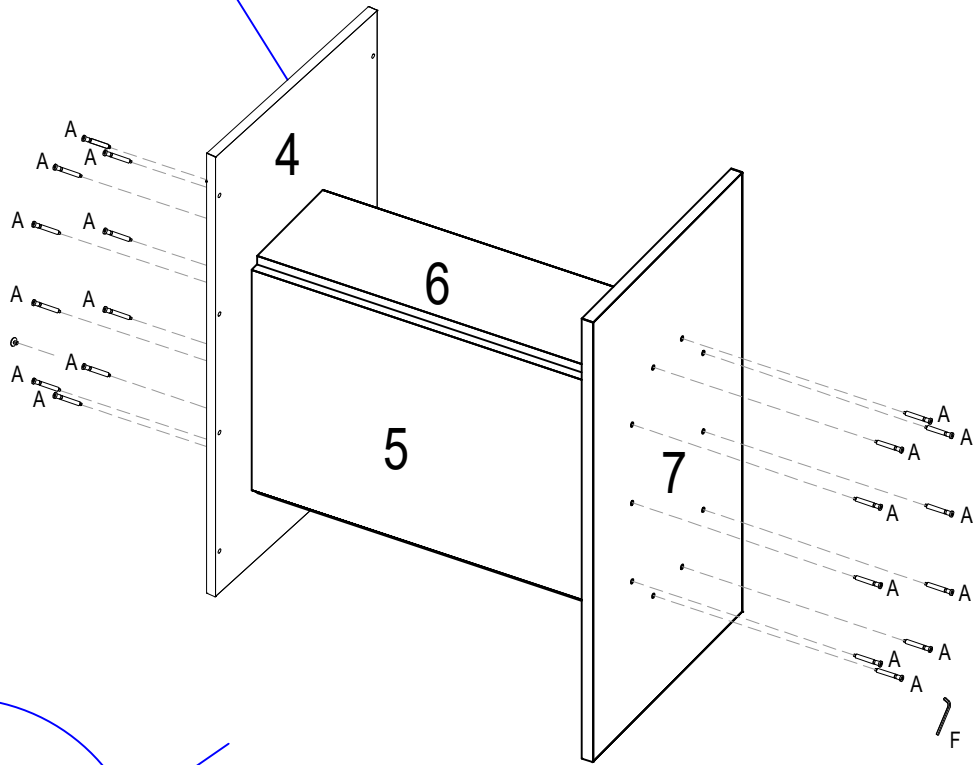
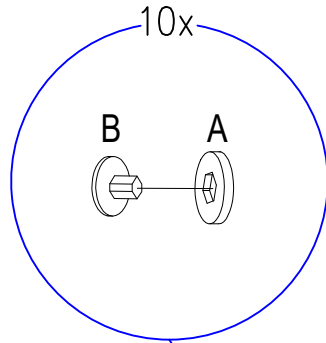
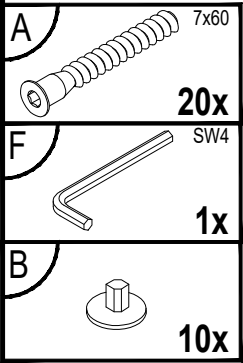
8.



V.

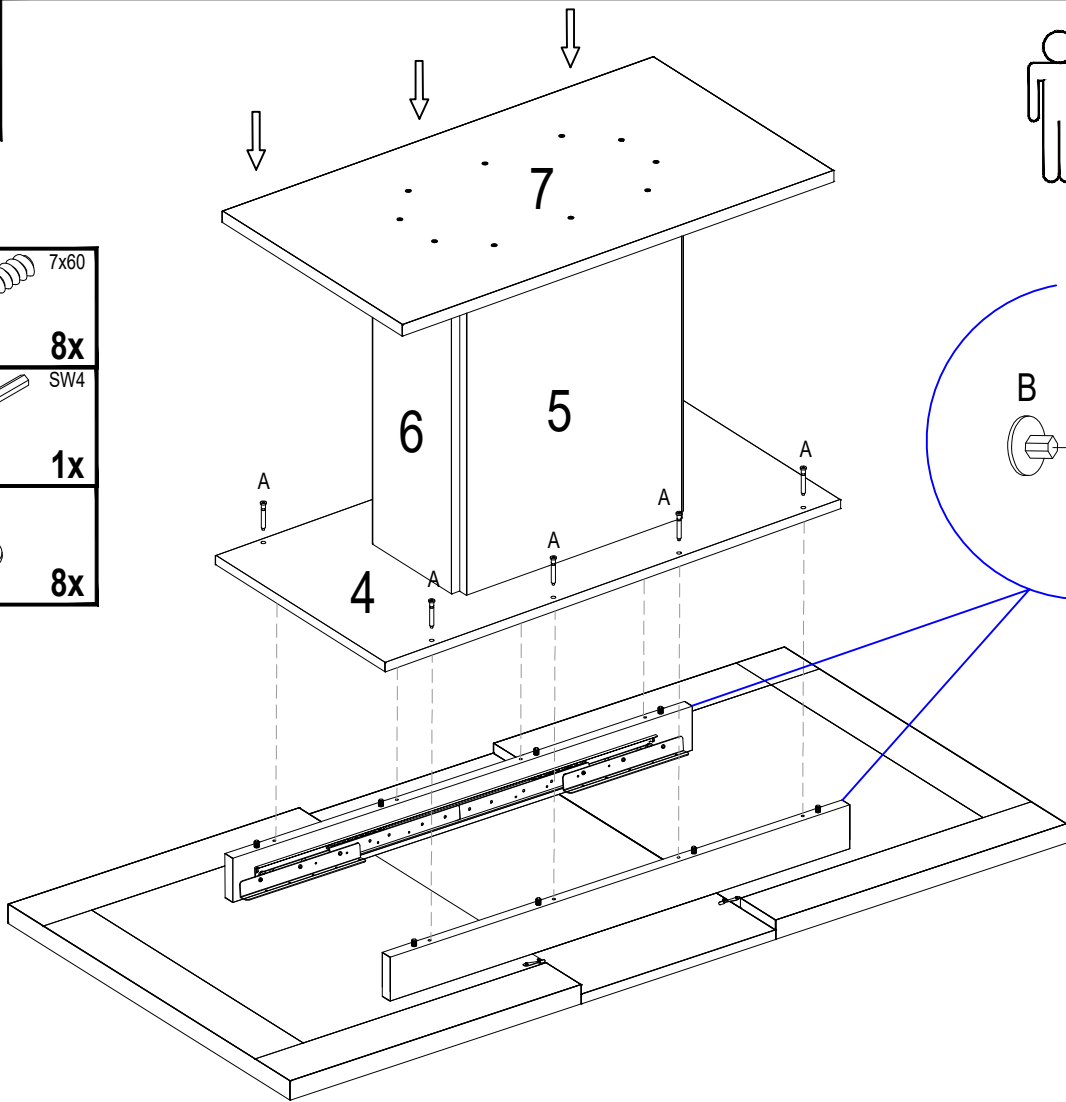
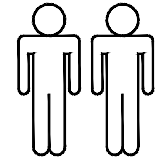
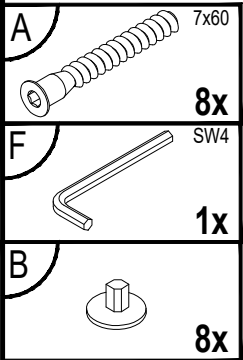


9.

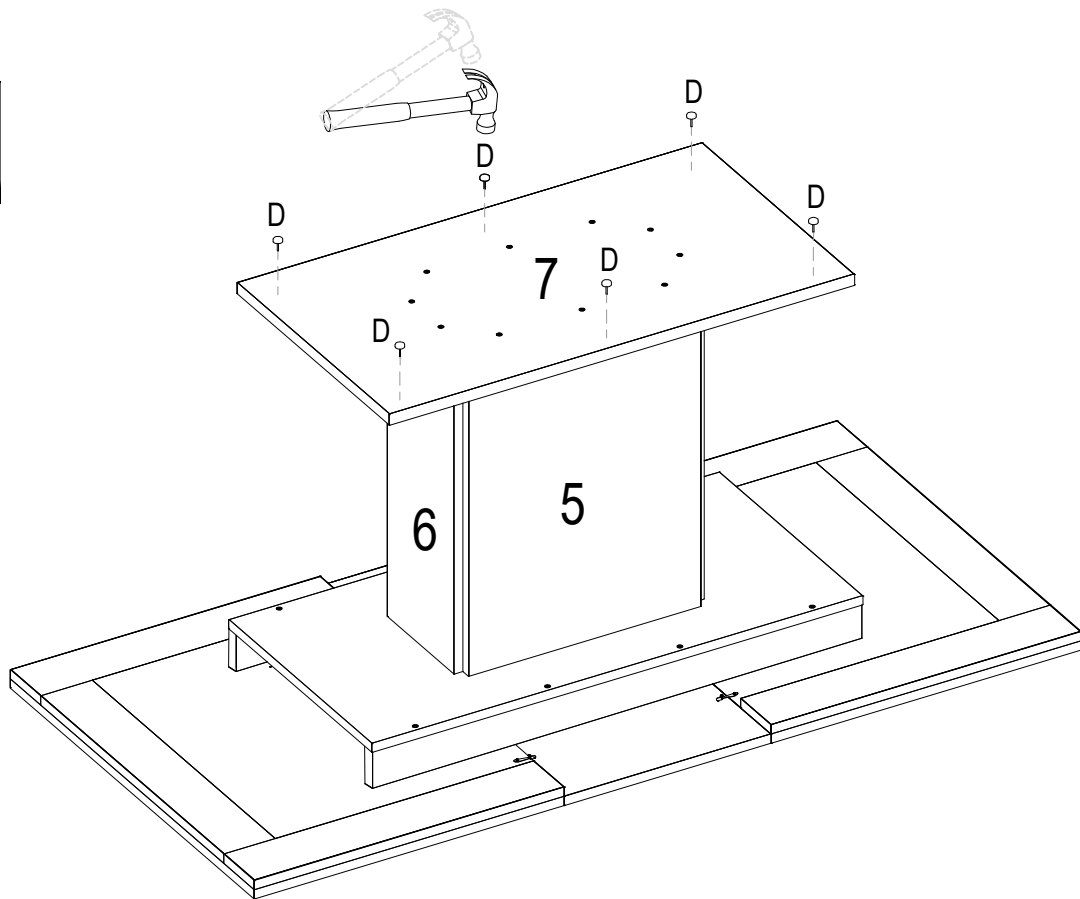
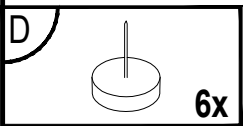


# VI.

10.

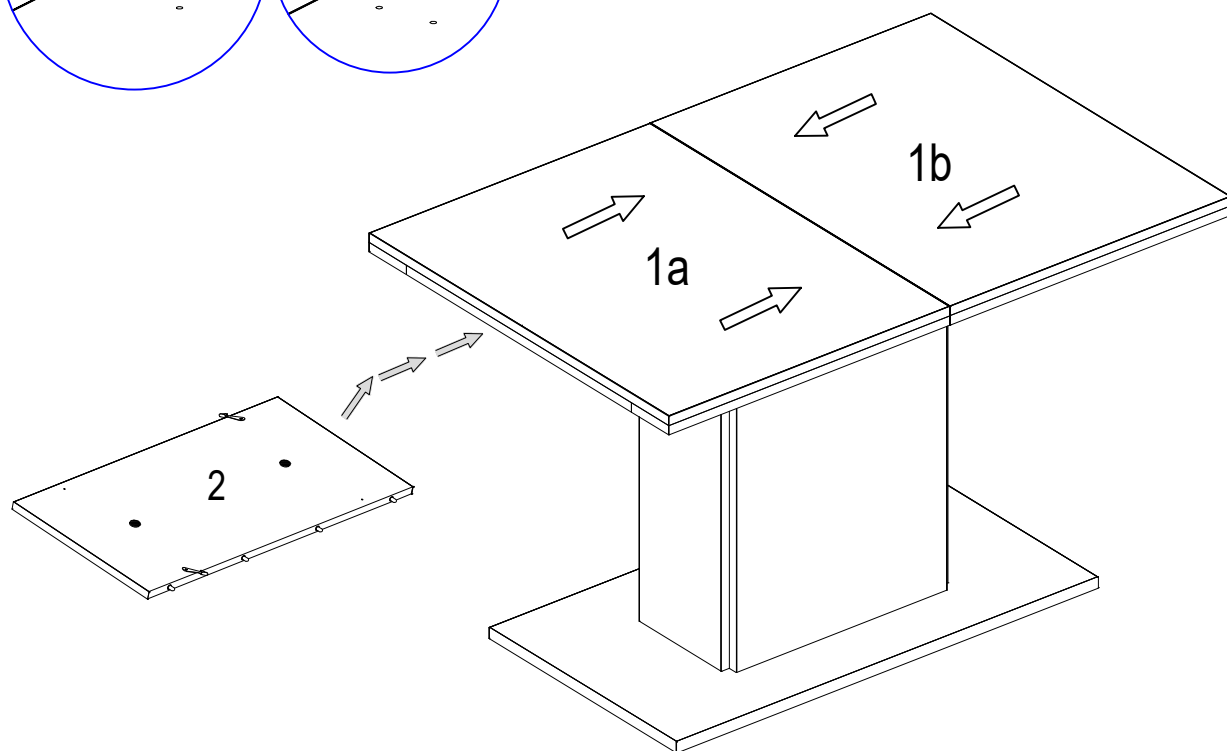
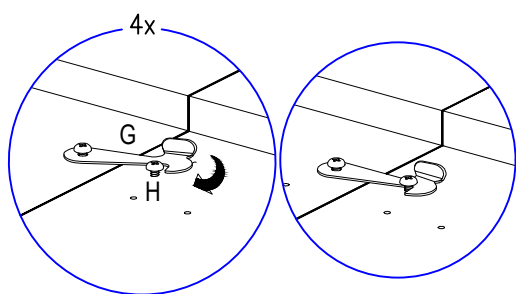
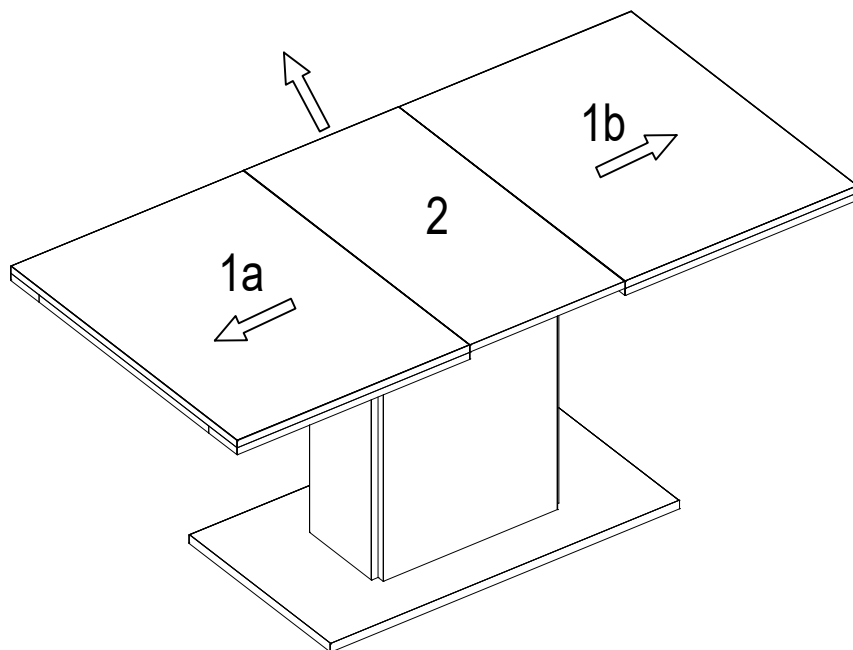
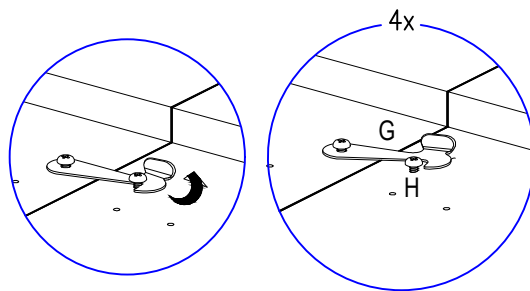


11.



# VII.

12.





VIII.

13.

