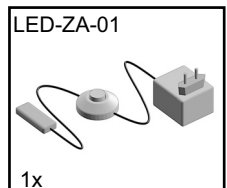
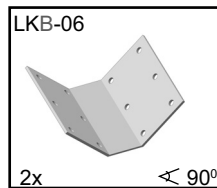
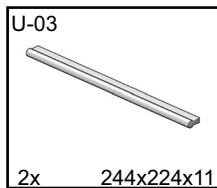
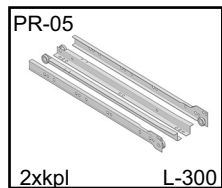
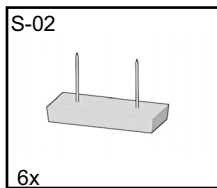
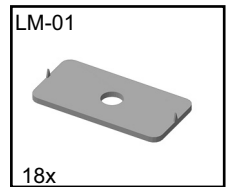
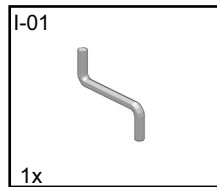
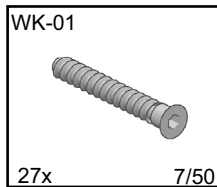
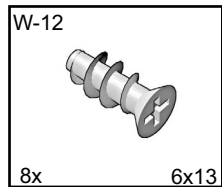
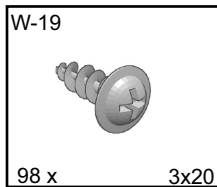
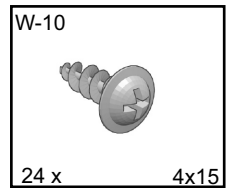
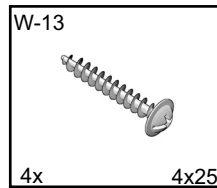
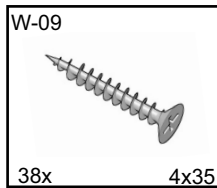
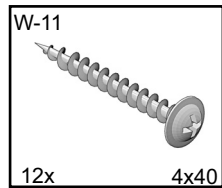
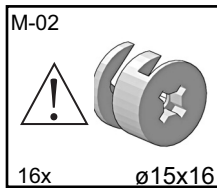
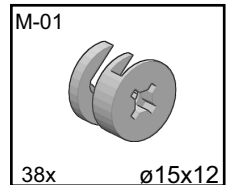
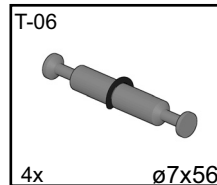
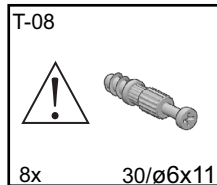
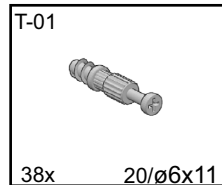
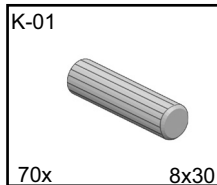
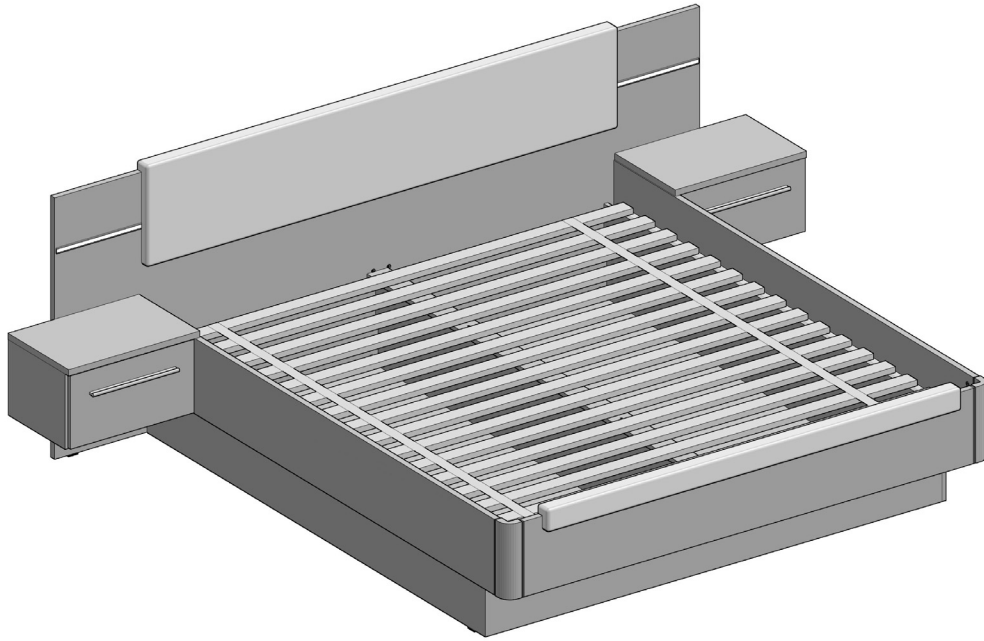
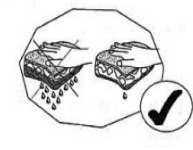
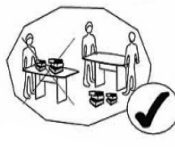
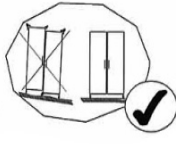
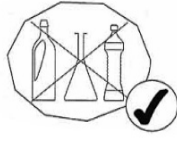
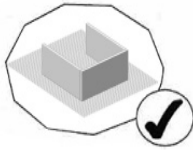


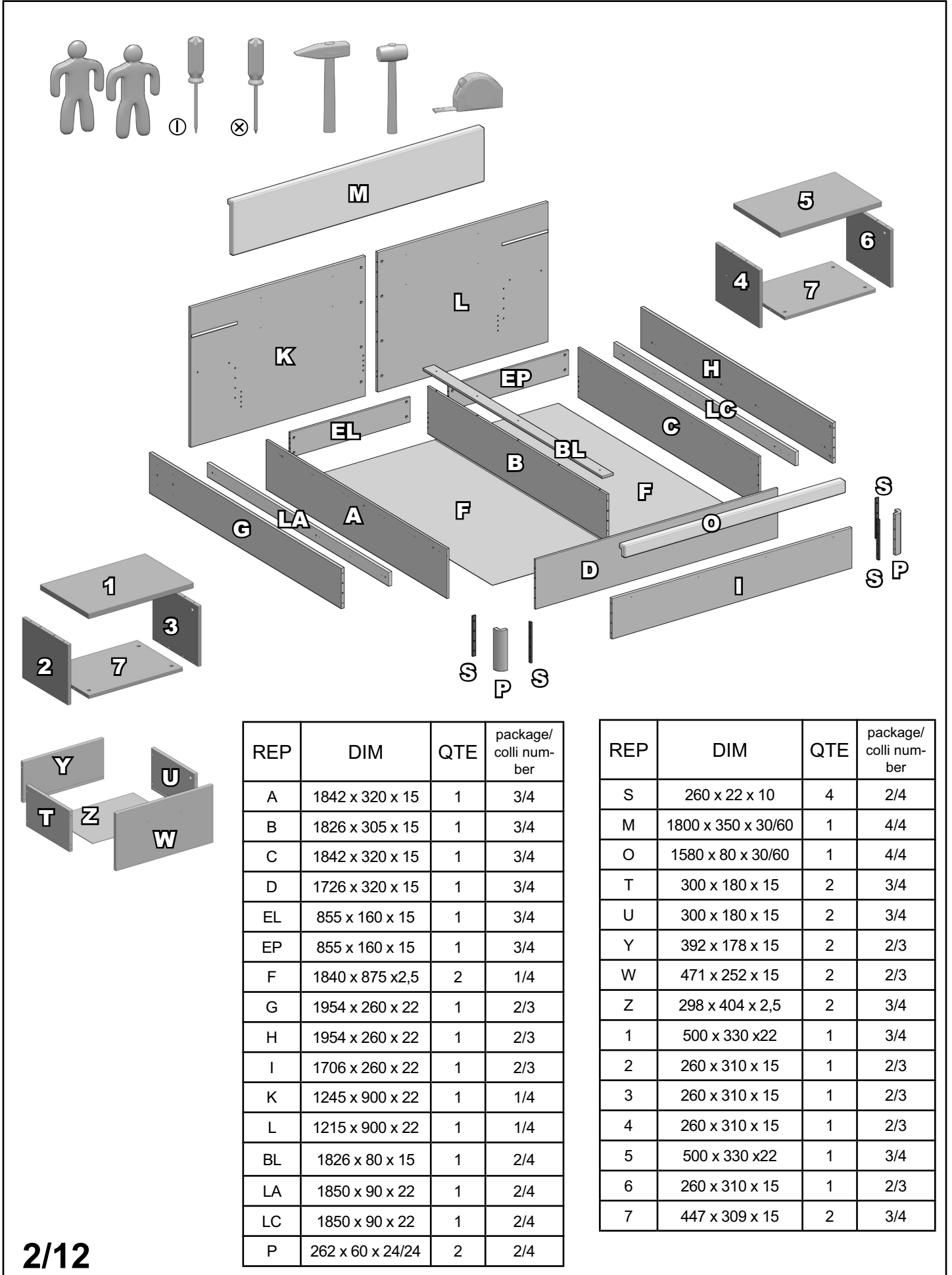
UTAH

UTAH E2 18052015



UTAH

UTAH E2 18052015

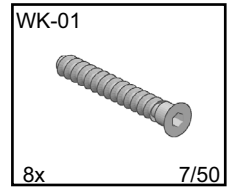
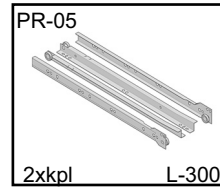
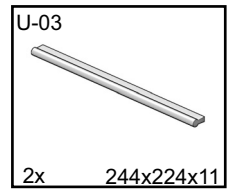
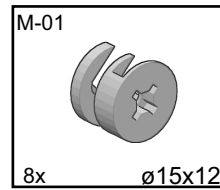
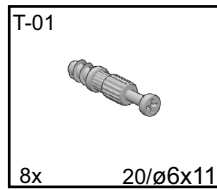
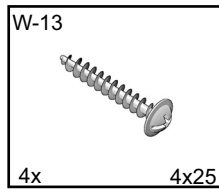
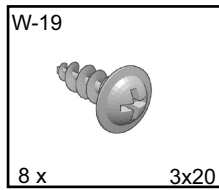


REP	DIM	QTE	package/ colli num- ber
A	1842 x 320 x 15	1	3/4
B	1826 x 305 x 15	1	3/4
C	1842 x 320 x 15	1	3/4
D	1726 x 320 x 15	1	3/4
EL	855 x 160 x 15	1	3/4
EP	855 x 160 x 15	1	3/4
F	1840 x 875 x 2,5	2	1/4
G	1954 x 260 x 22	1	2/3
H	1954 x 260 x 22	1	2/3
I	1706 x 260 x 22	1	2/3
K	1245 x 900 x 22	1	1/4
L	1215 x 900 x 22	1	1/4
BL	1826 x 80 x 15	1	2/4
LA	1850 x 90 x 22	1	2/4
LC	1850 x 90 x 22	1	2/4
P	262 x 60 x 24/24	2	2/4

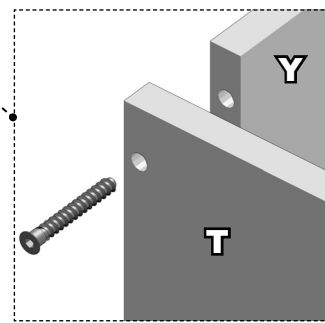
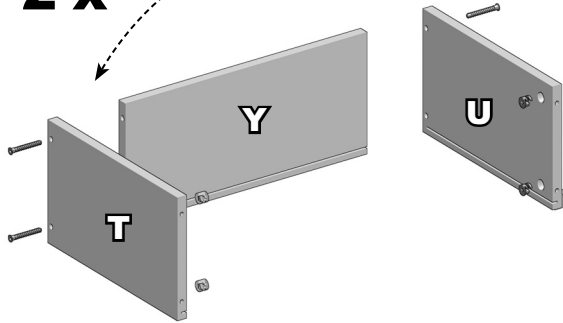
REP	DIM	QTE	package/ colli num- ber
S	260 x 22 x 10	4	2/4
M	1800 x 350 x 30/60	1	4/4
O	1580 x 80 x 30/60	1	4/4
T	300 x 180 x 15	2	3/4
U	300 x 180 x 15	2	3/4
Y	392 x 178 x 15	2	2/3
W	471 x 252 x 15	2	2/3
Z	298 x 404 x 2,5	2	3/4
1	500 x 330 x 22	1	3/4
2	260 x 310 x 15	1	2/3
3	260 x 310 x 15	1	2/3
4	260 x 310 x 15	1	2/3
5	500 x 330 x 22	1	3/4
6	260 x 310 x 15	1	2/3
7	447 x 309 x 15	2	3/4

UTAH

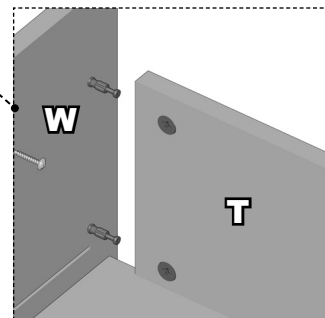
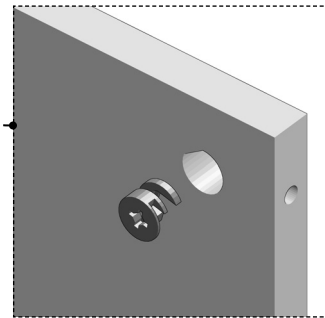
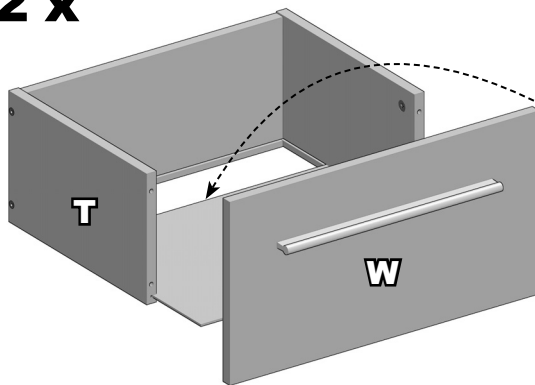
UTAH E2 18052015



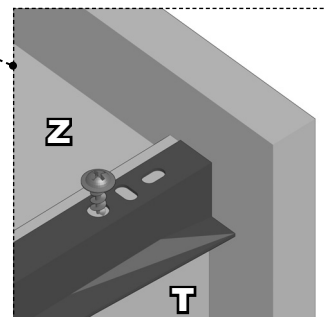
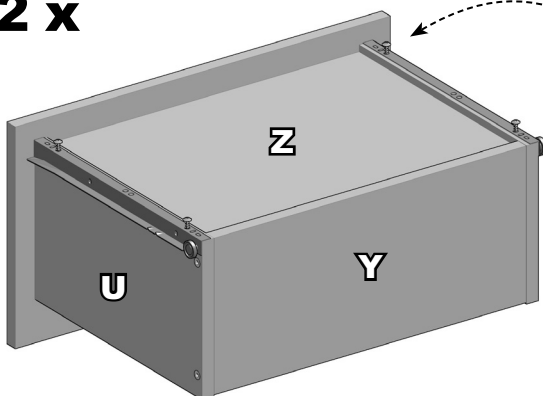
2 x



2 x

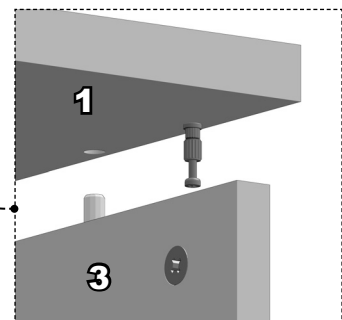
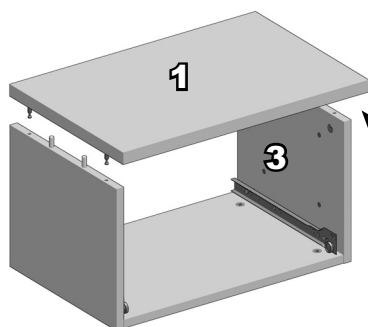
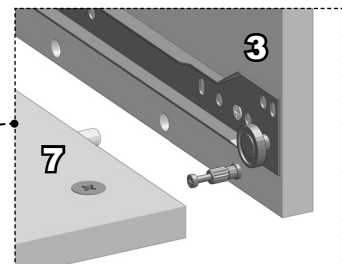
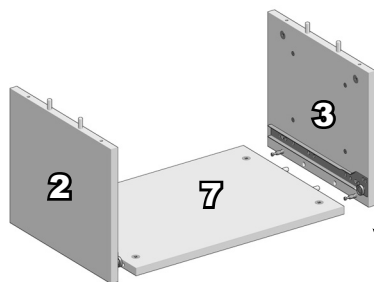
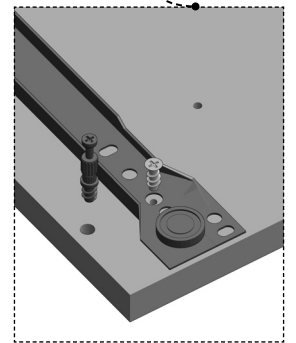
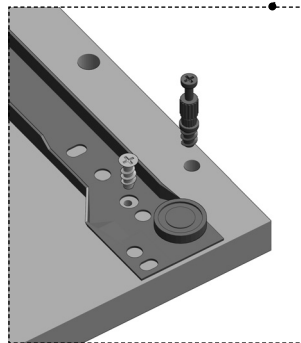
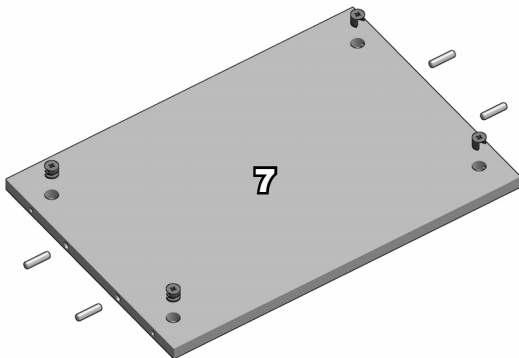
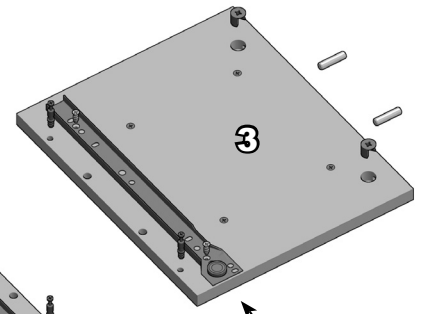
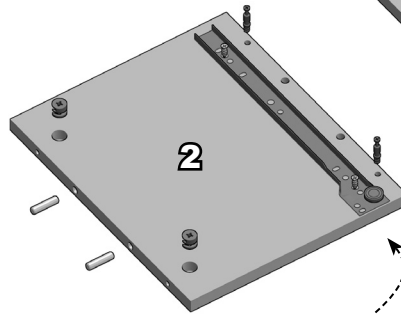
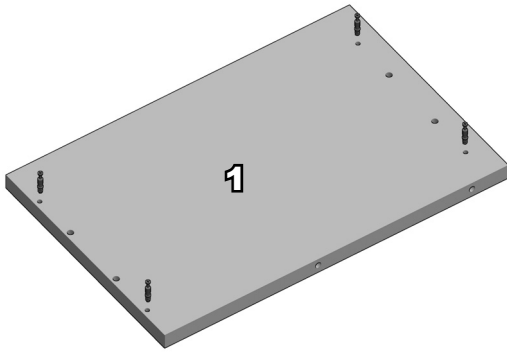
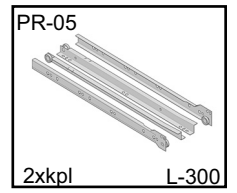
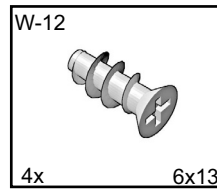
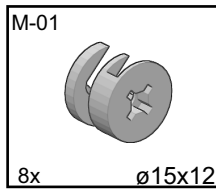
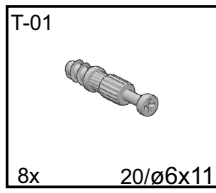
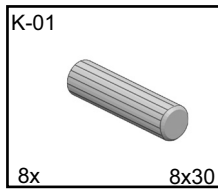


2 x



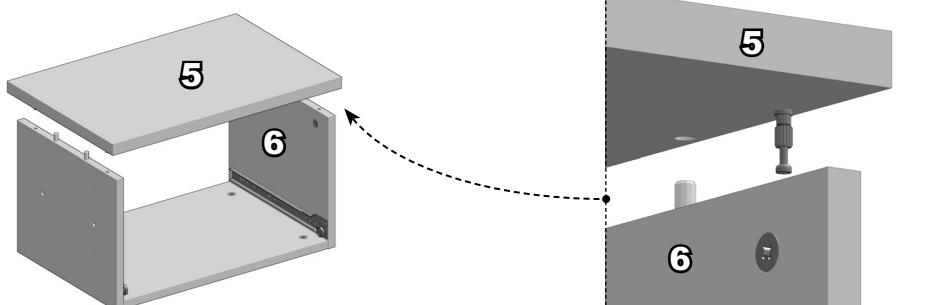
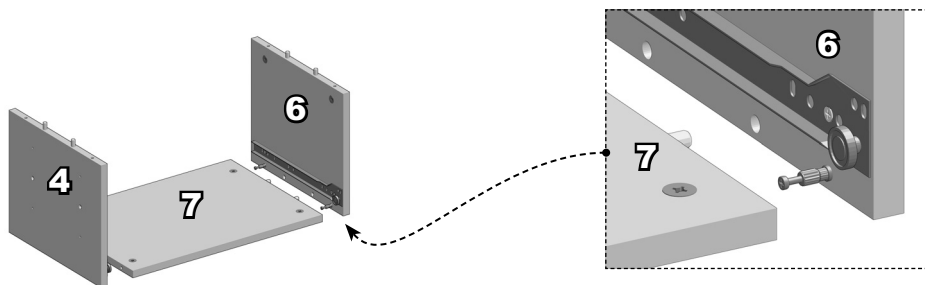
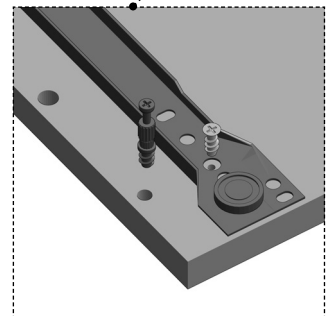
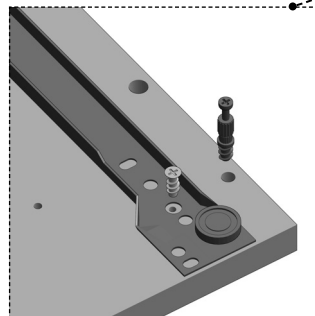
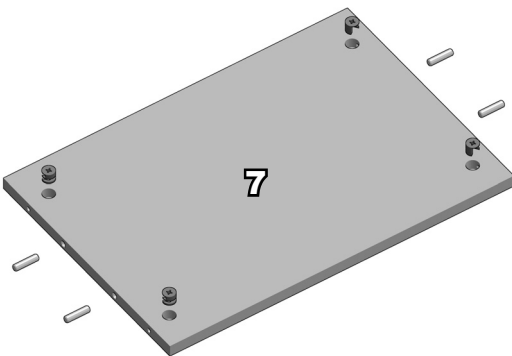
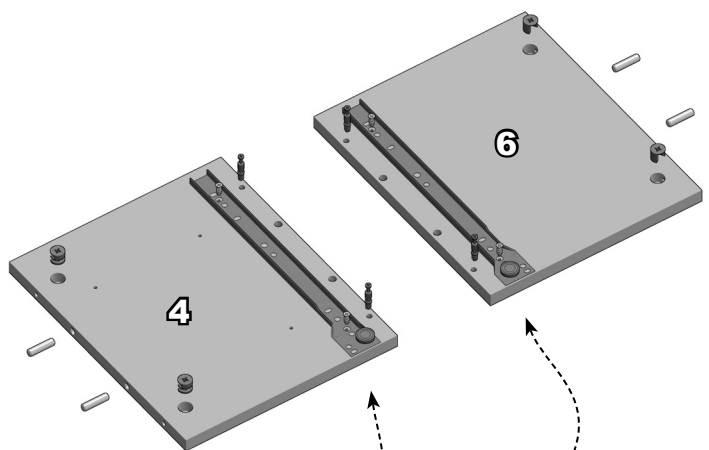
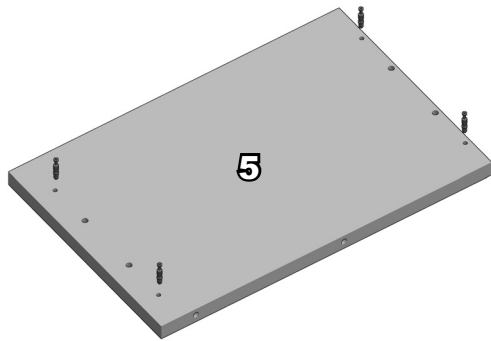
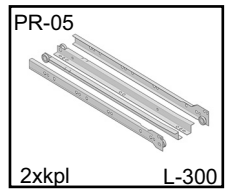
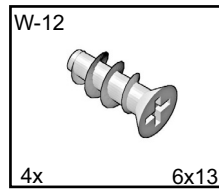
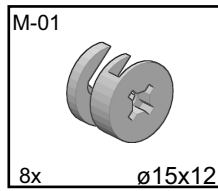
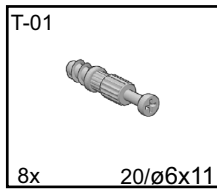
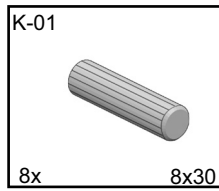
UTAH

UTAH E2 18052015



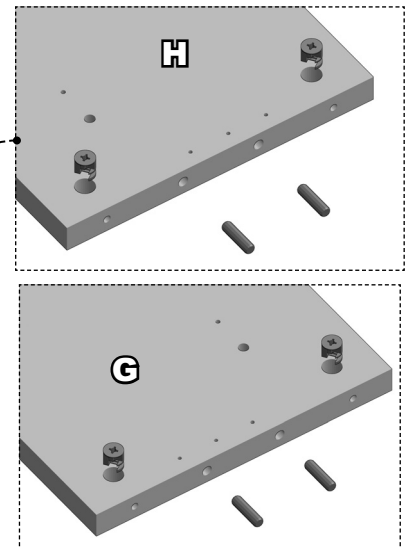
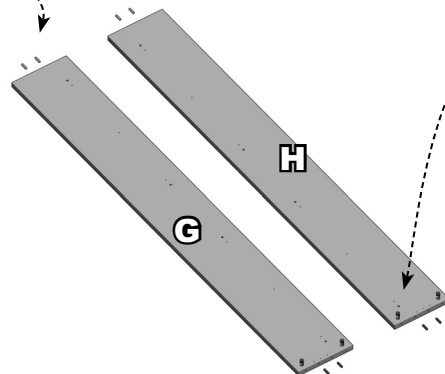
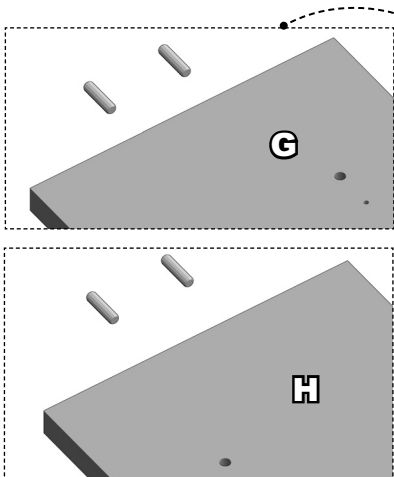
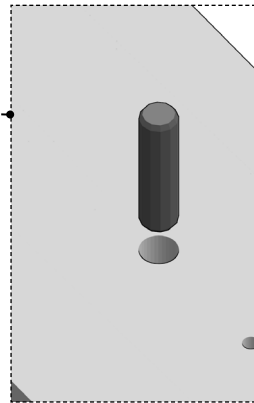
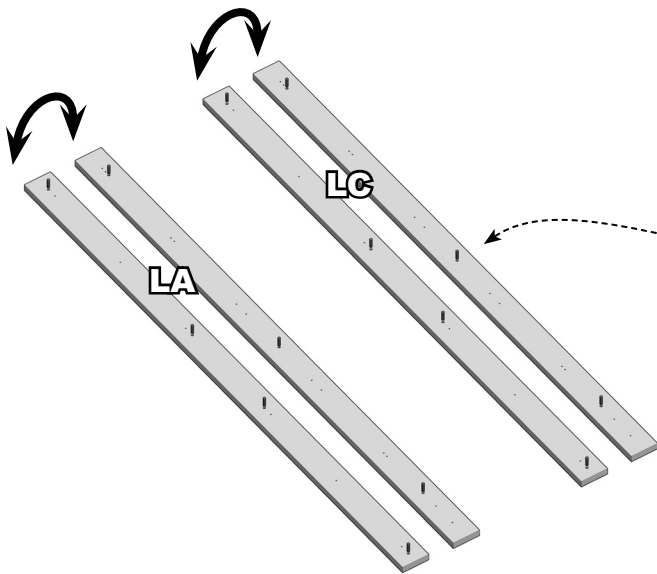
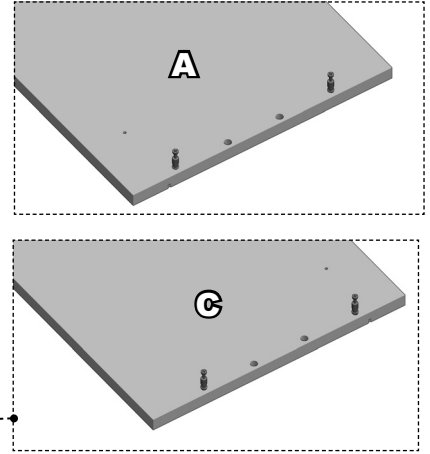
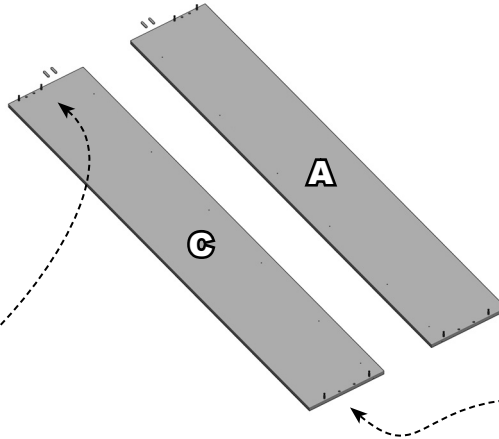
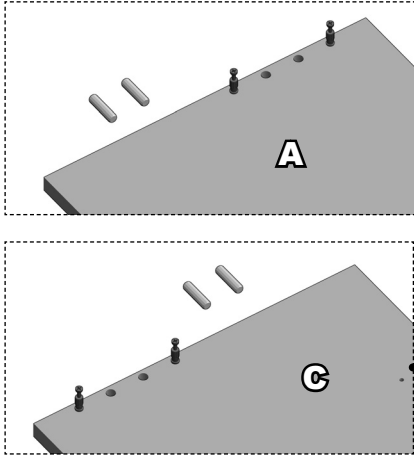
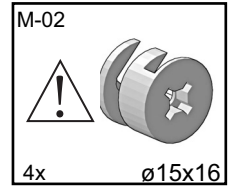
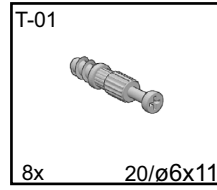
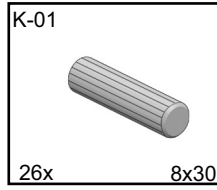
UTAH

UTAH E2 18052015



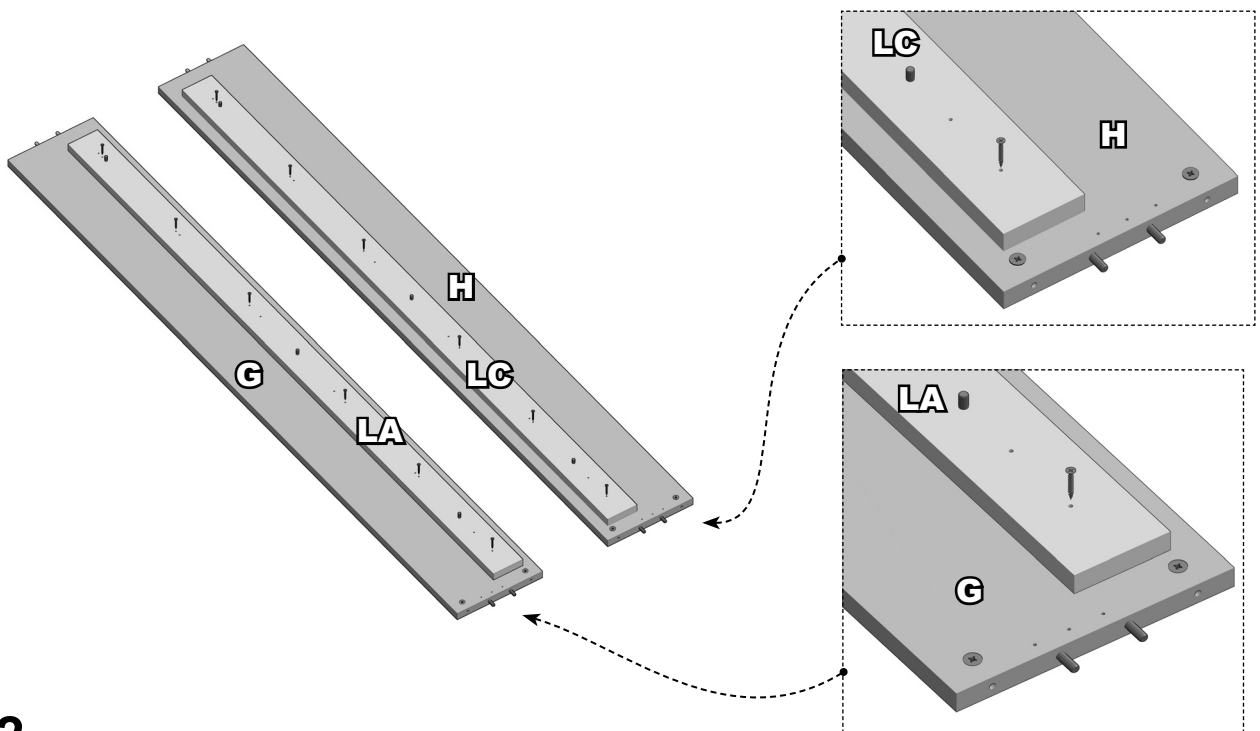
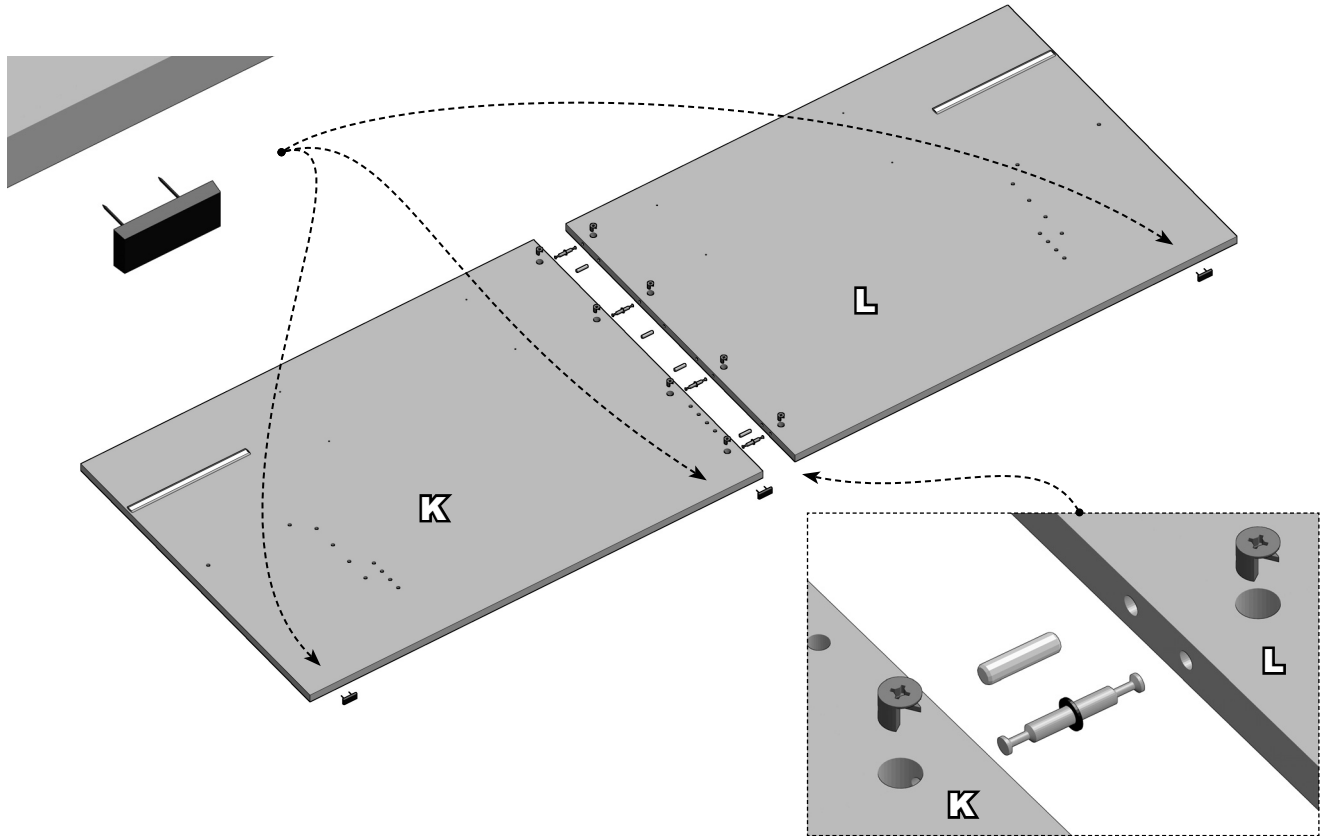
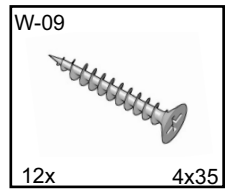
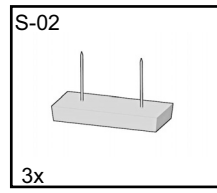
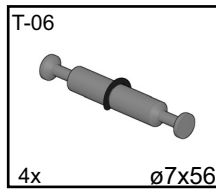
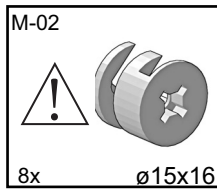
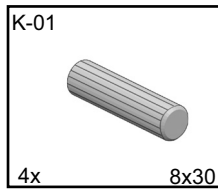
UTAH

UTAH E2 18052015



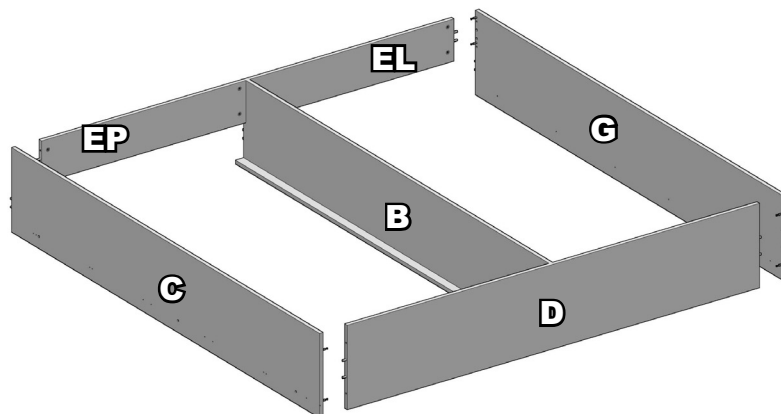
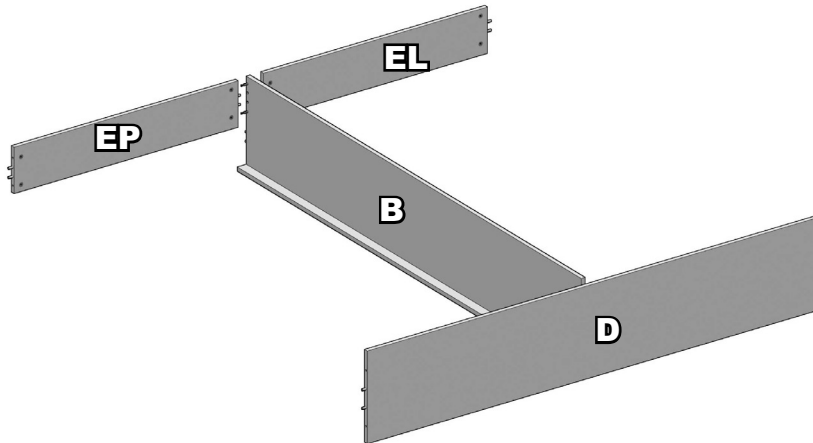
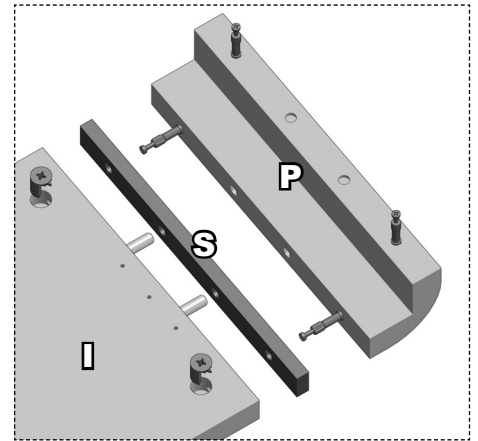
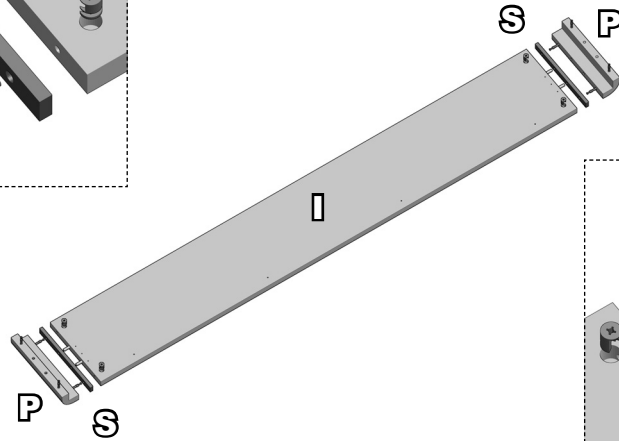
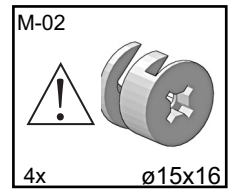
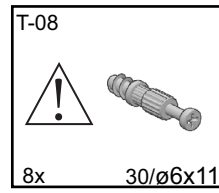
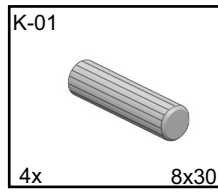
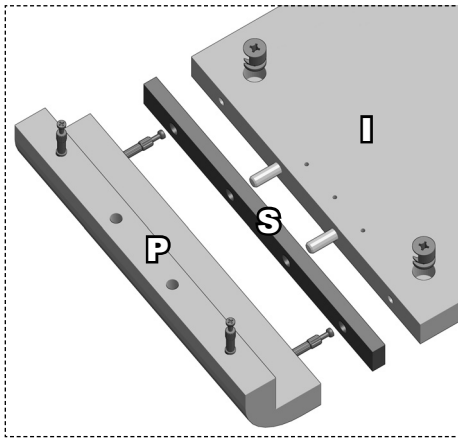
UTAH

UTAH E2 18052015



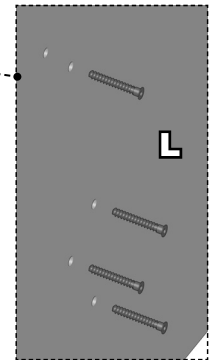
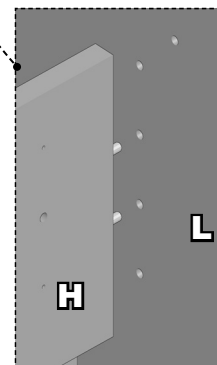
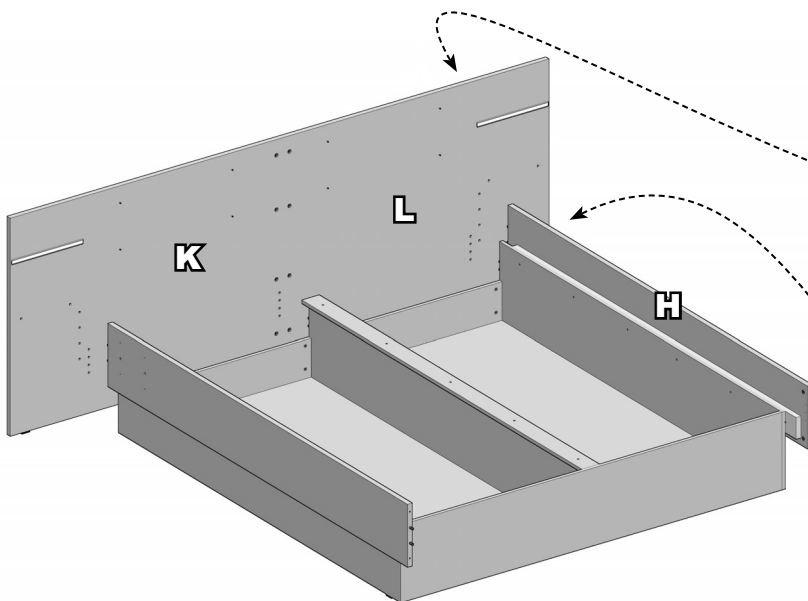
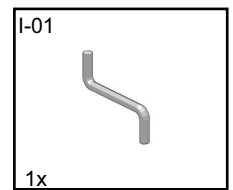
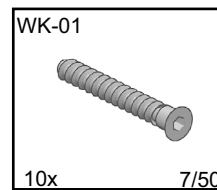
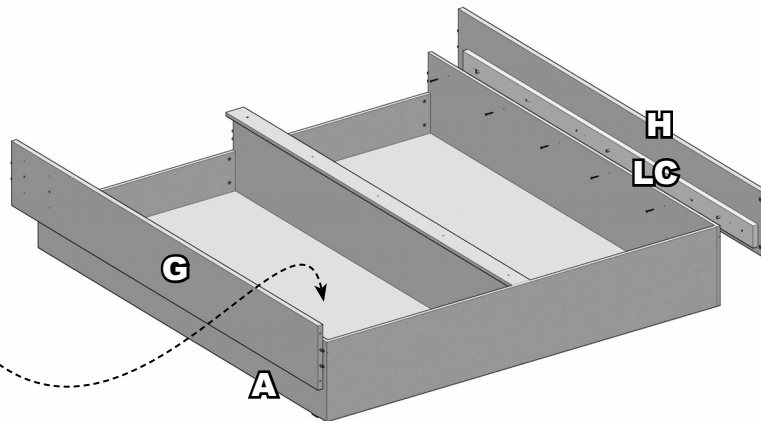
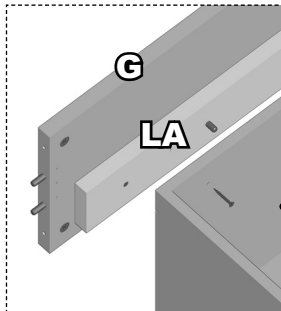
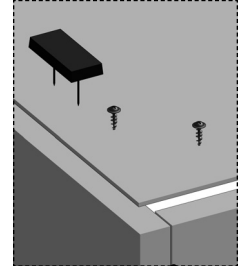
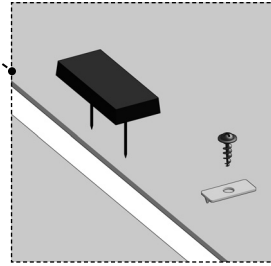
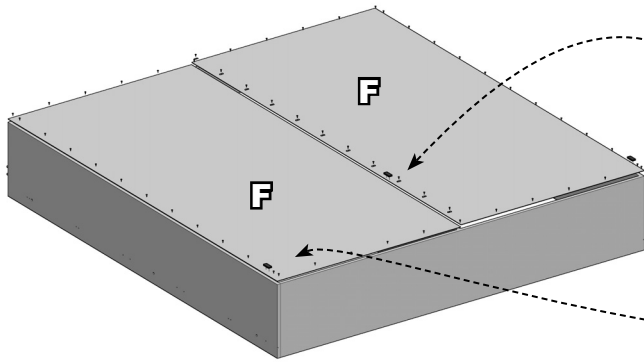
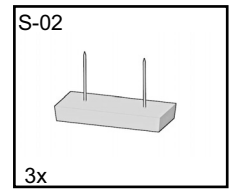
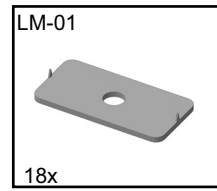
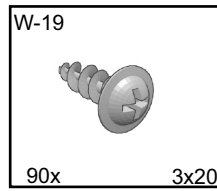
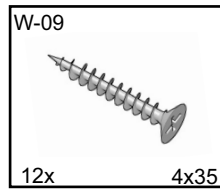
UTAH

UTAH E2 18052015



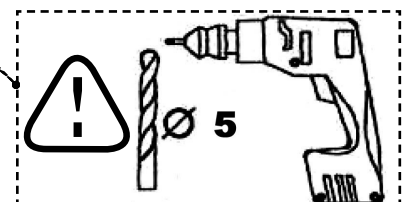
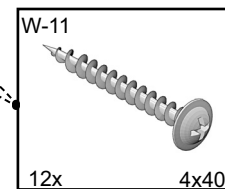
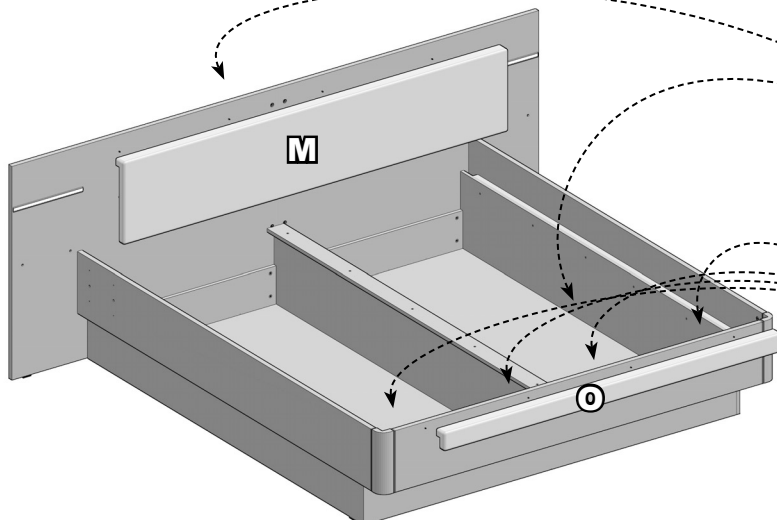
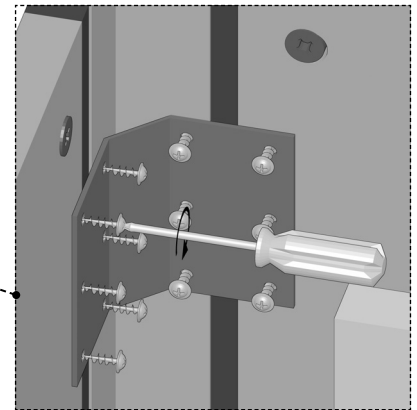
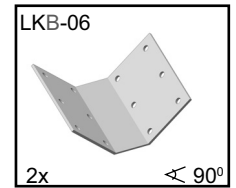
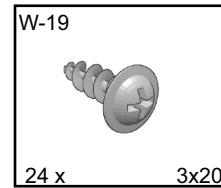
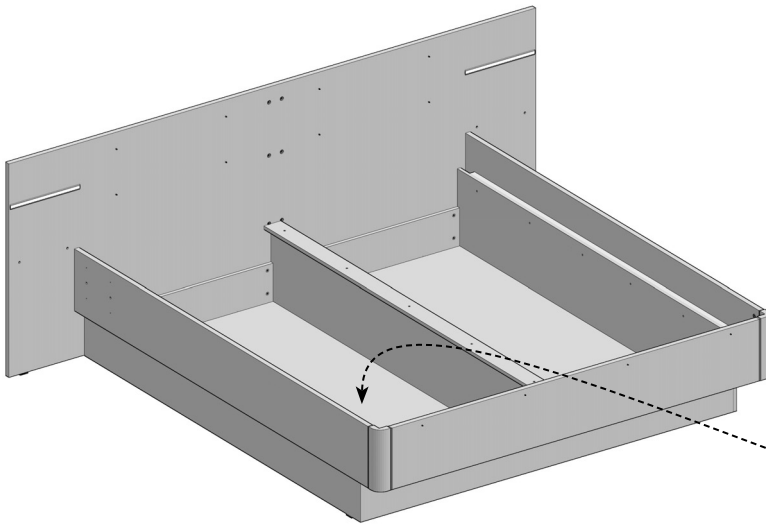
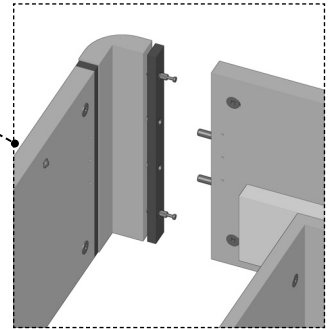
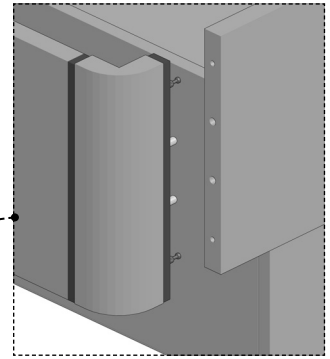
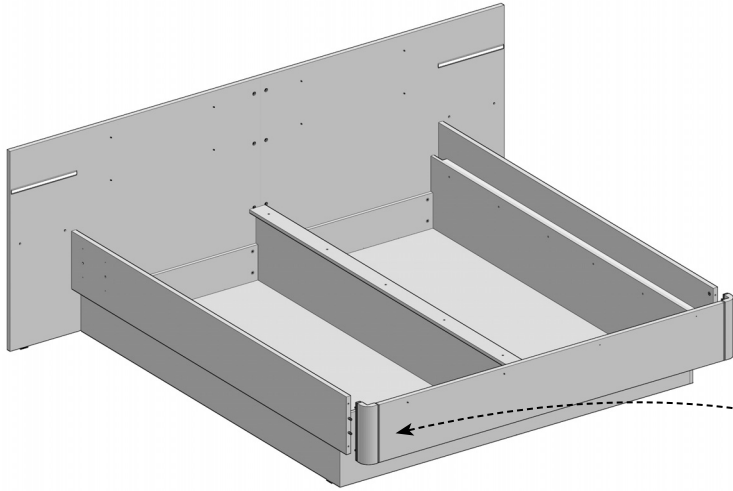
UTAH

UTAH E2 18052015



UTAH

UTAH E2 18052015



UTAH

UTAH E2 18052015

