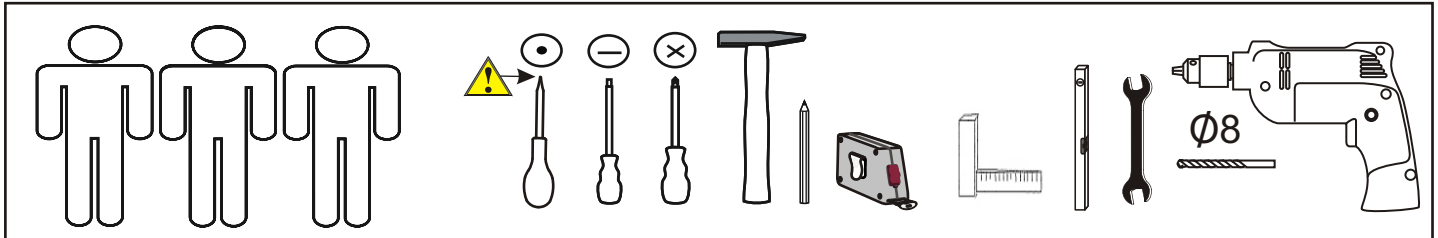
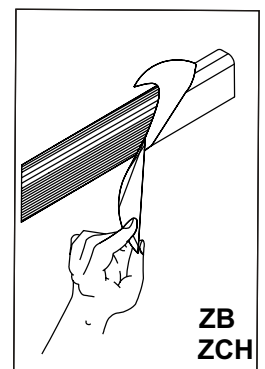
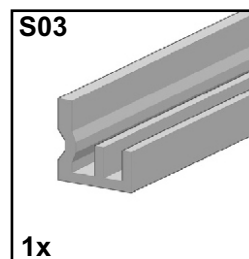
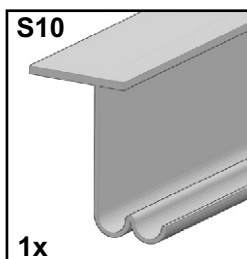
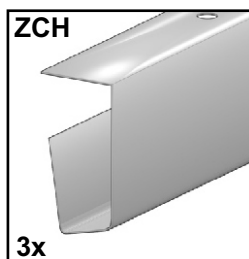
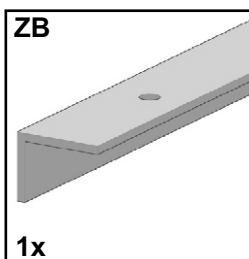







NR	DIM	QTE	COLLI
1	2250x580x15	1	1/7
2	2250x551x15	1	1/7
3	2249x535x15	1	2/7
4	2249x535x15	1	2/7
5	827x465x22	2	4/7
6	986x465x22	1	4/7
7	827x535x15	2	3/7
8	986x535x15	1	3/7
9	827x535x15	2	3/7
10	986x535x15	1	3/7
11	2188x834x2	2	2/7
12	2188x993x2	1	2/7
13	827x50x15	2	3/7
14	827x50x15	2	3/7
15	986x50x15	1	3/7
16	986x50x15	1	3/7
17	1365x440x15	2	5;6/7
18	1365x440x15	2	5;6/7
19	925x440x15	4	5;6/7
20	440x440x15	4	5;6/7
21	1365x440x15	2	5;6/7
ZB	L-2200	1	7/7
ZCH	L-2200	3	7/7
S10	L-2668	1	7/7
S03	L-2668	1	7/7

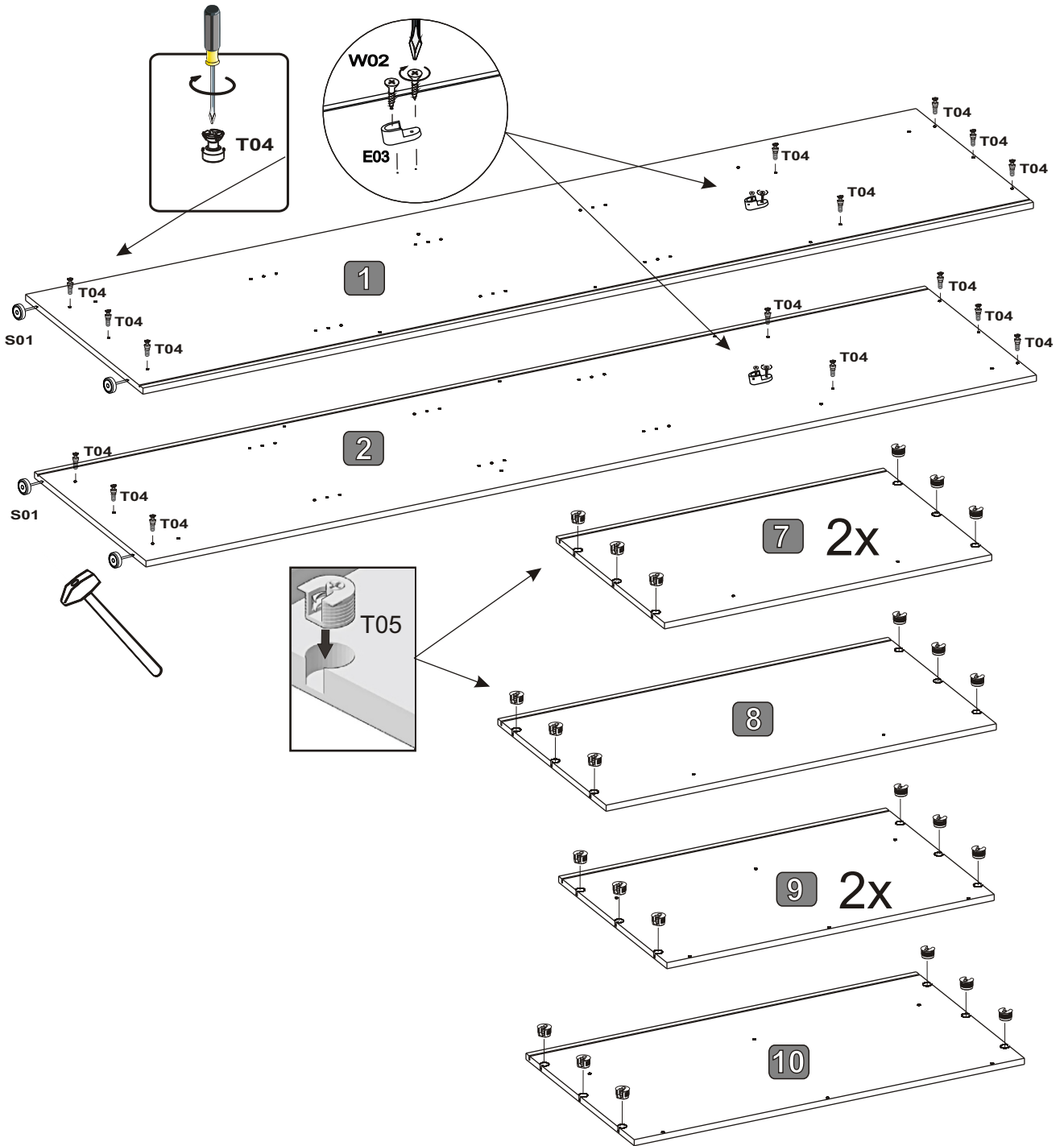


 48x T04	 48x T05	 5x40 18x W16	 1x K01	 24x W08	 18x C02	 1x G-02
 6,3x10 24x W20	 24x R02	 36x R01	 6x E03	 3,5x13 205x W02	 20x S01	 3,5x13 13x W05
 2x P-10	 2x P-07	 1x P-09	 2x P-06	 1x P-08	 2x F-02	 L-821 2x J02
 L-979 1x J03	 1x Sz1	 6x11 28x W12	 2x P01	 4x13 4x W07	 2x F01	 2x F11
 8x K50						








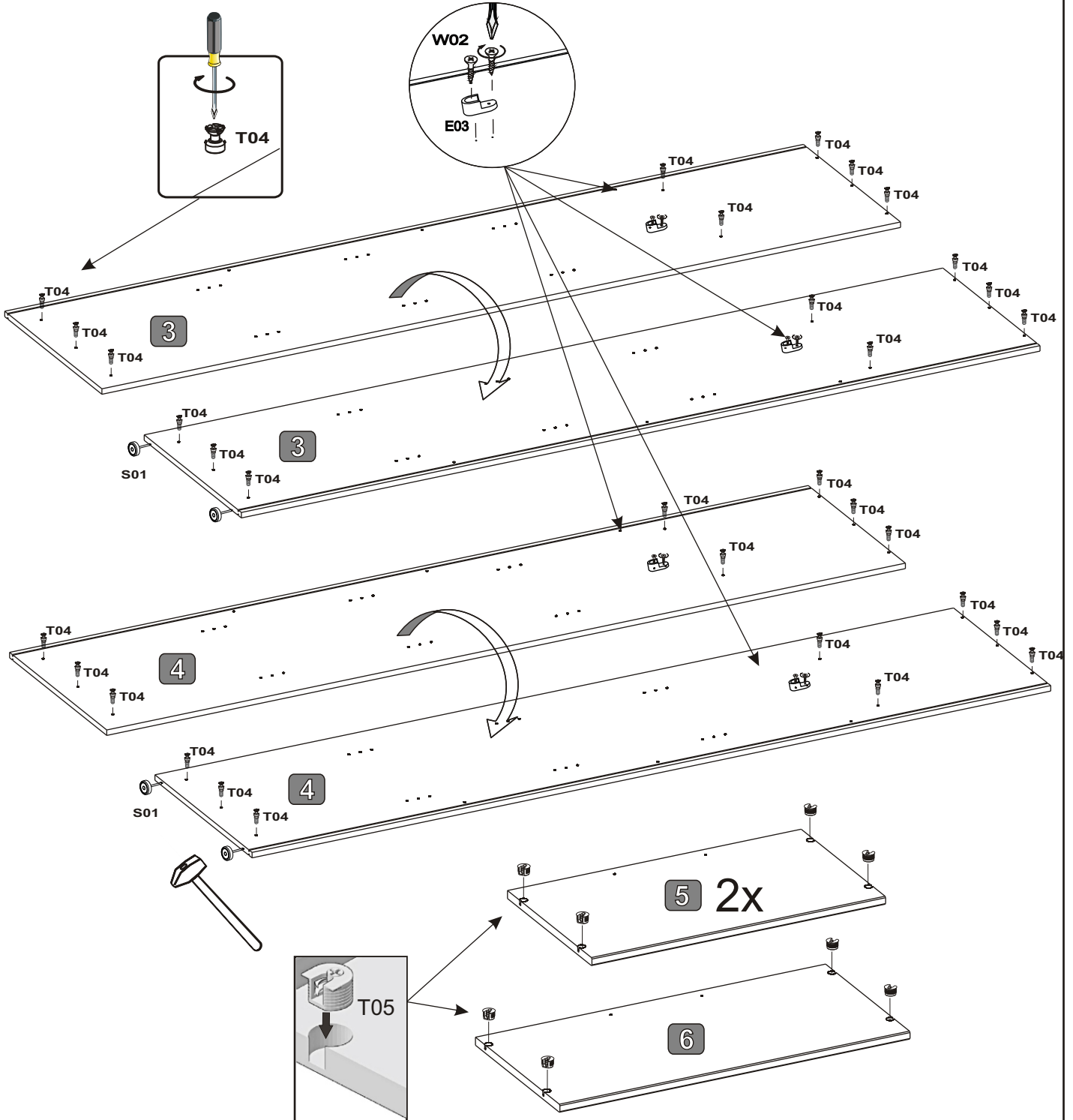
1

4x		36x		2x		16x		4x	
	S01		T05		E03		T04		W02

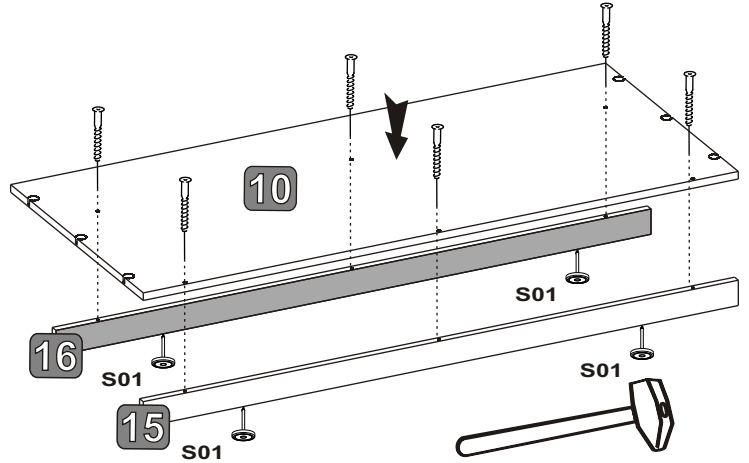
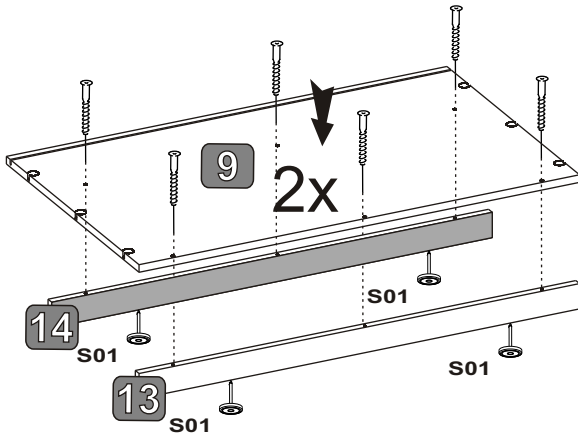
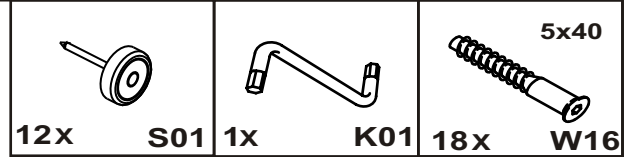


2

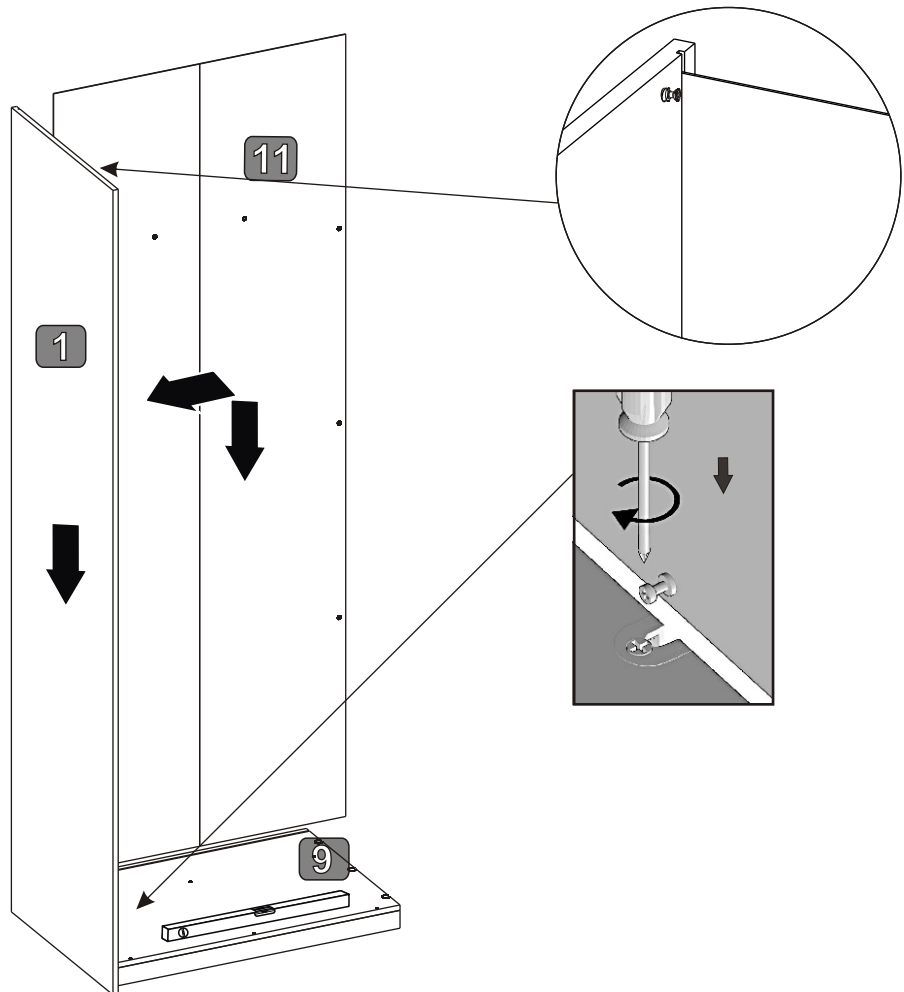
4X		12X		4X		32X		8X	
	S01		T05		E03		T04		W02



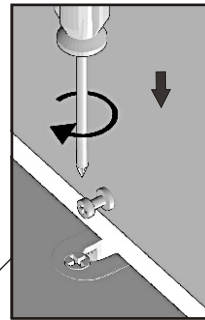
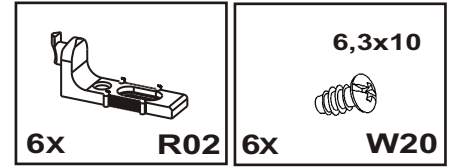
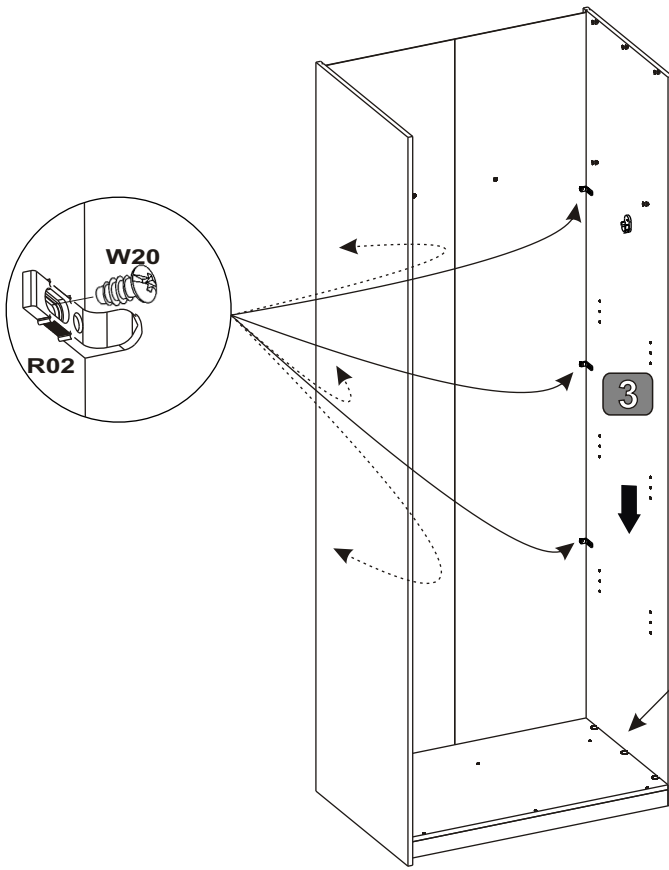
3



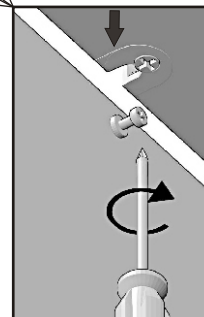
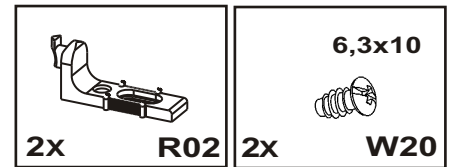
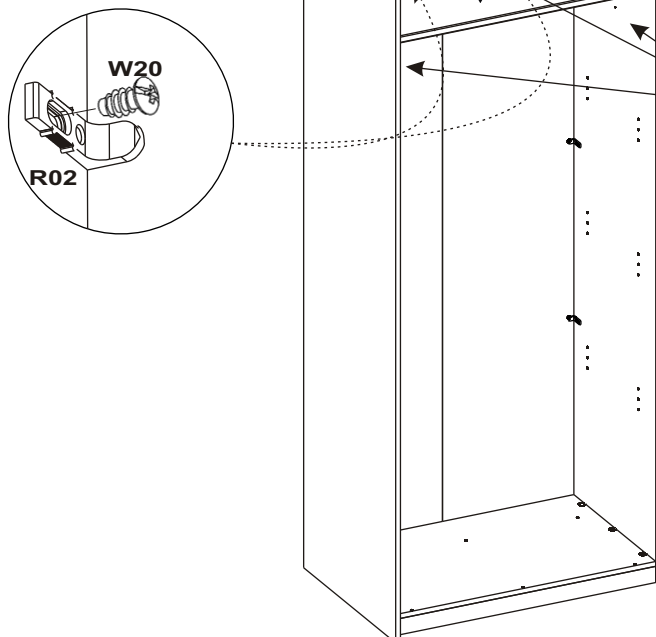
4



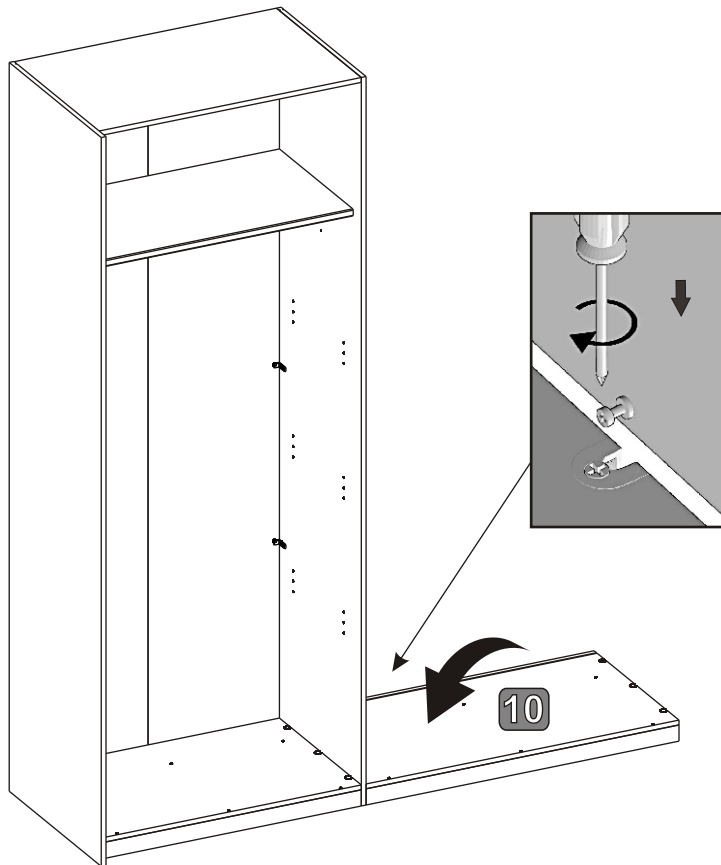
5



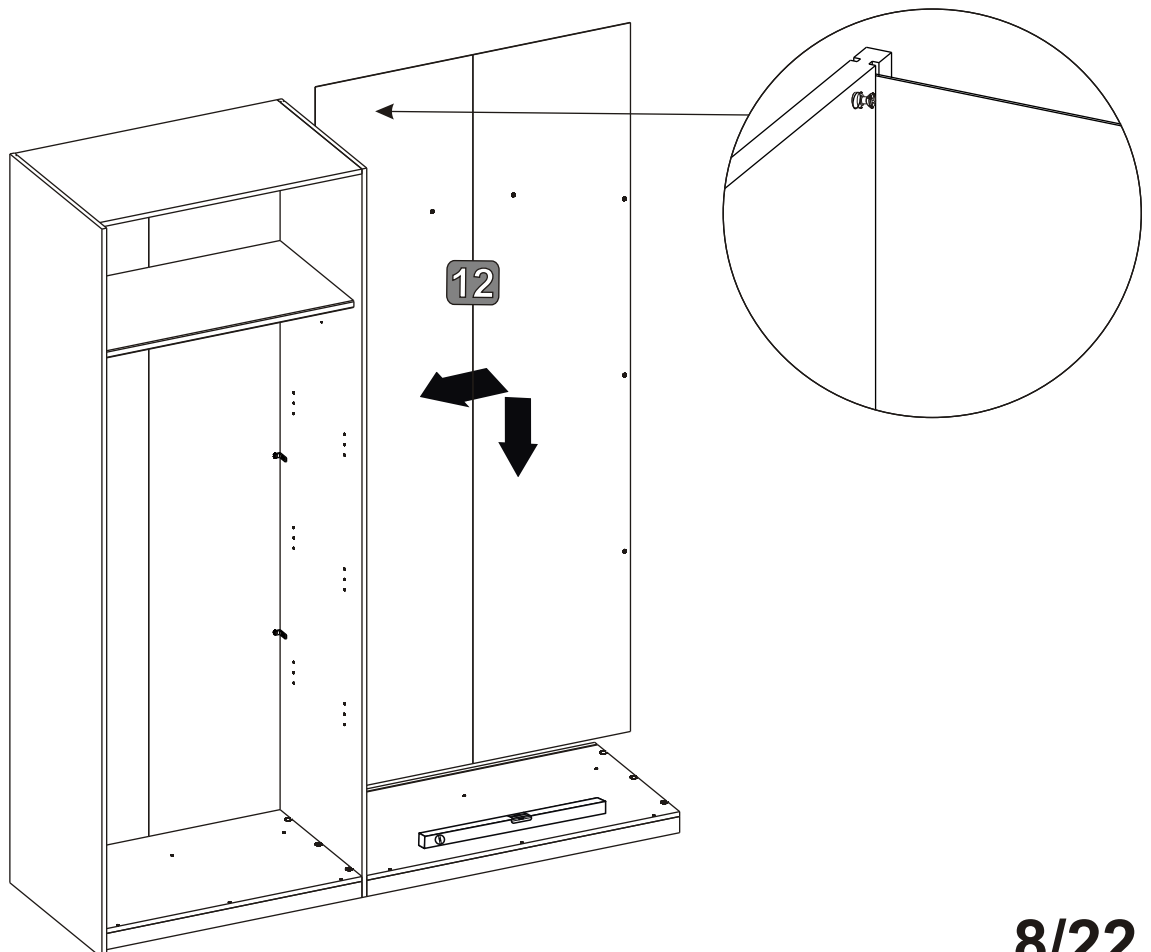
6



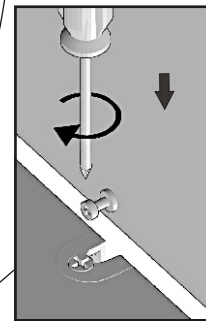
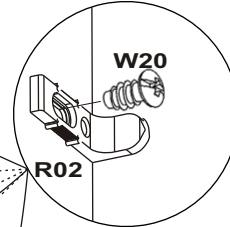
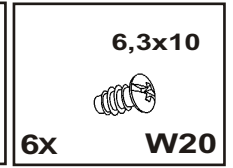
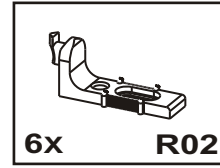
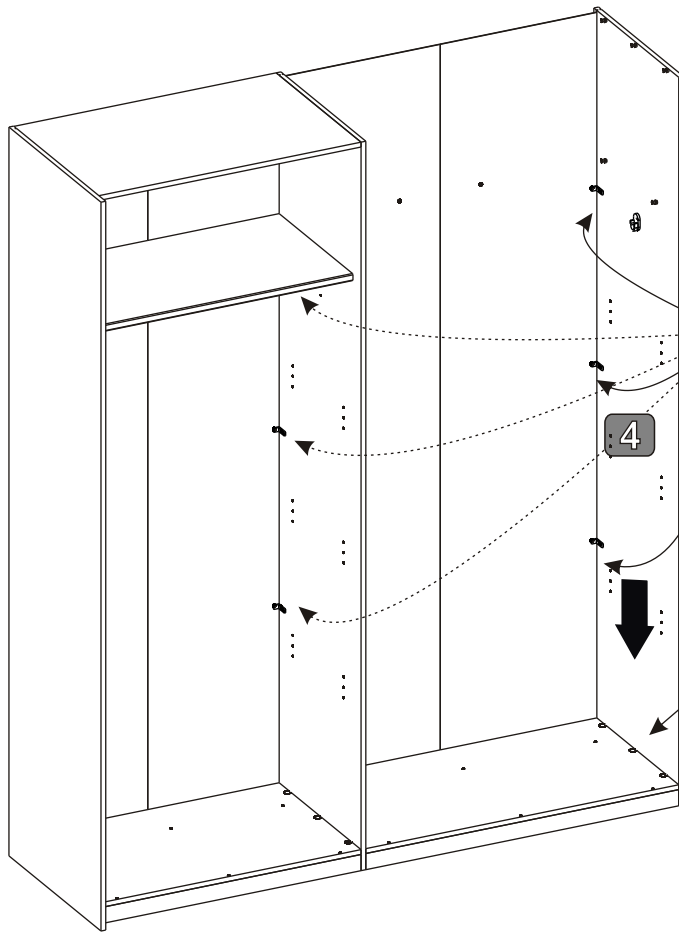
7



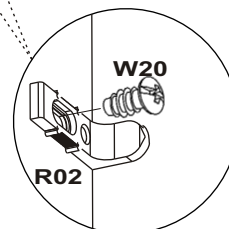
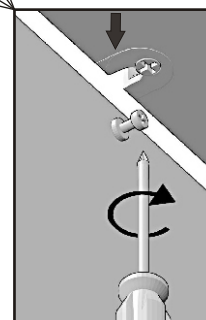
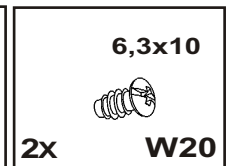
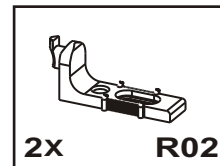
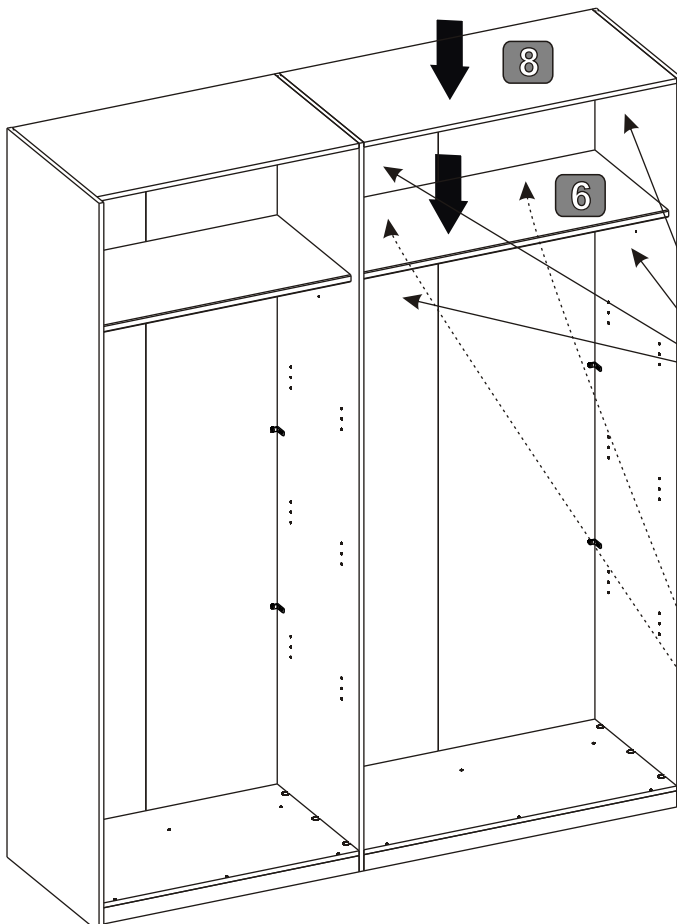
8



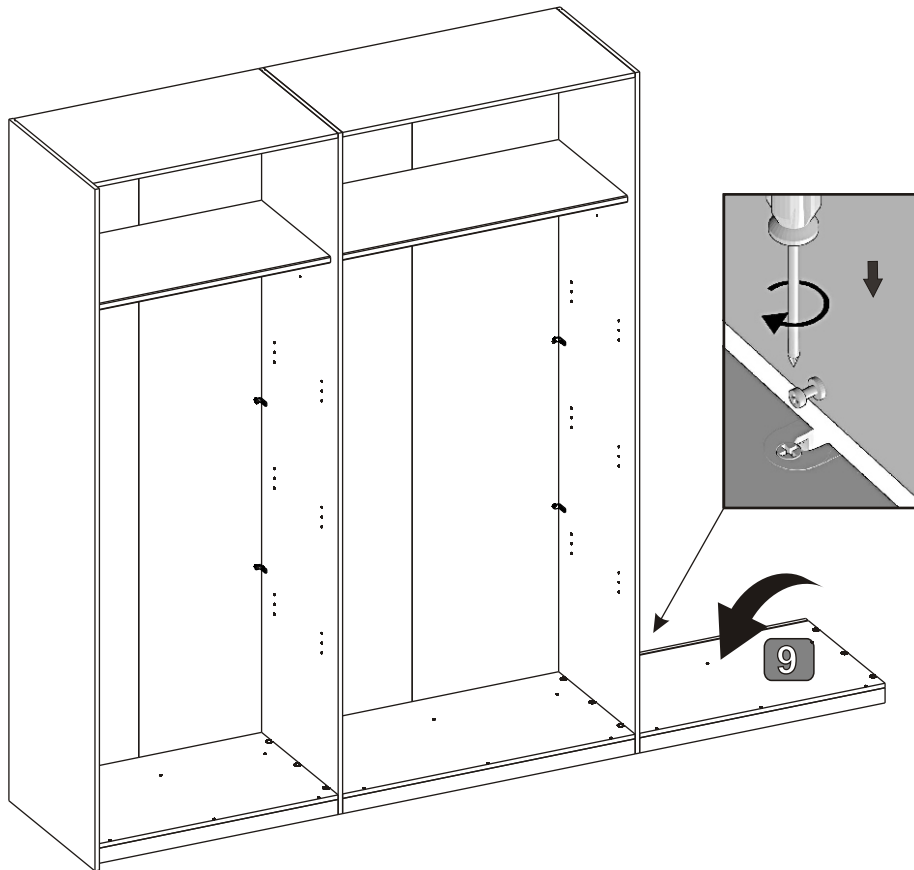
9



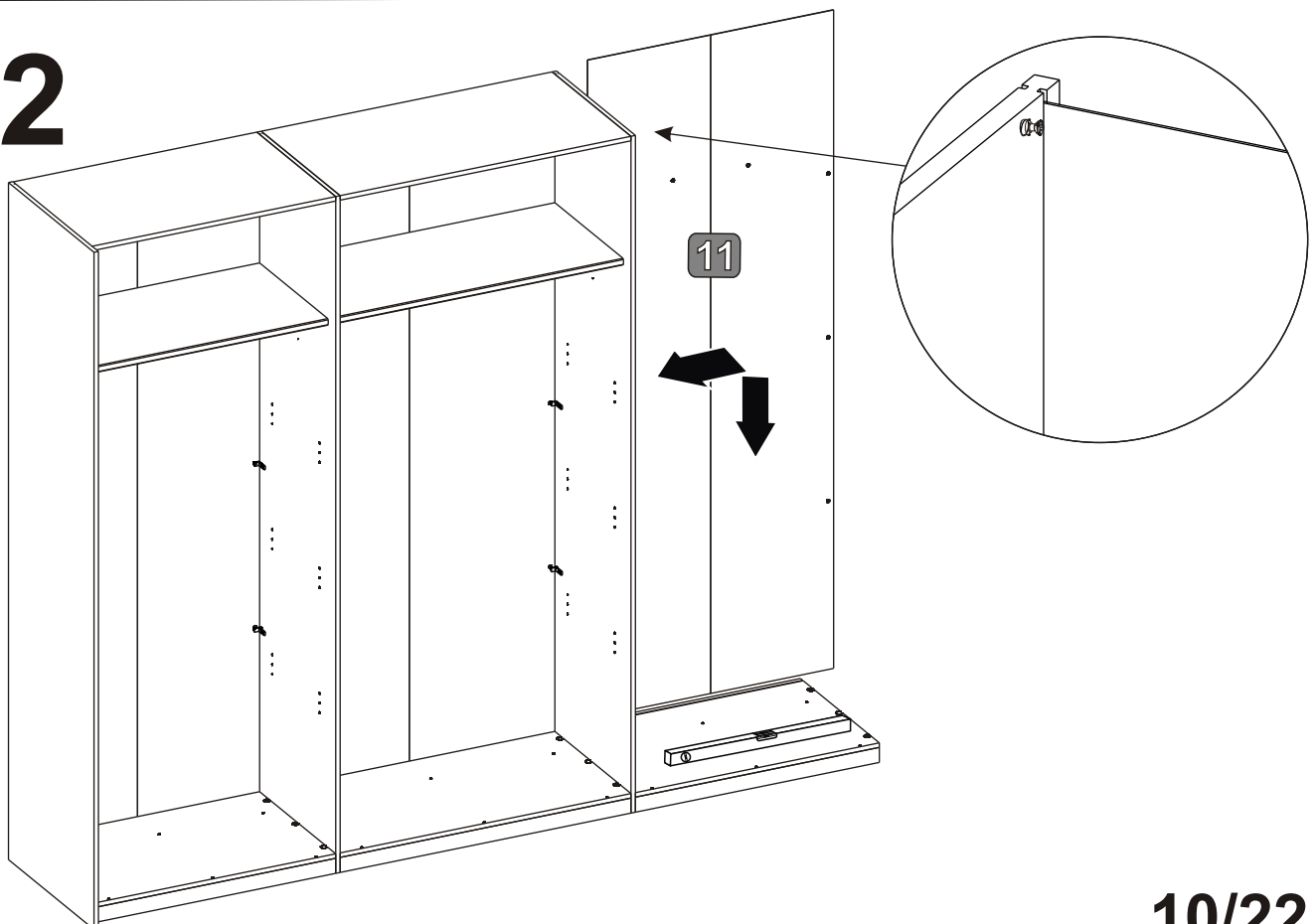
10



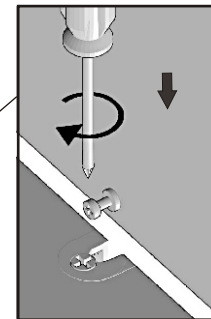
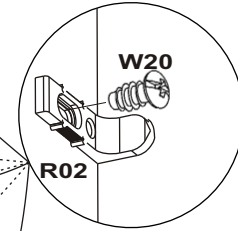
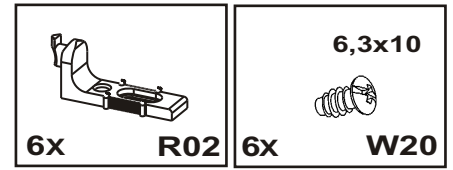
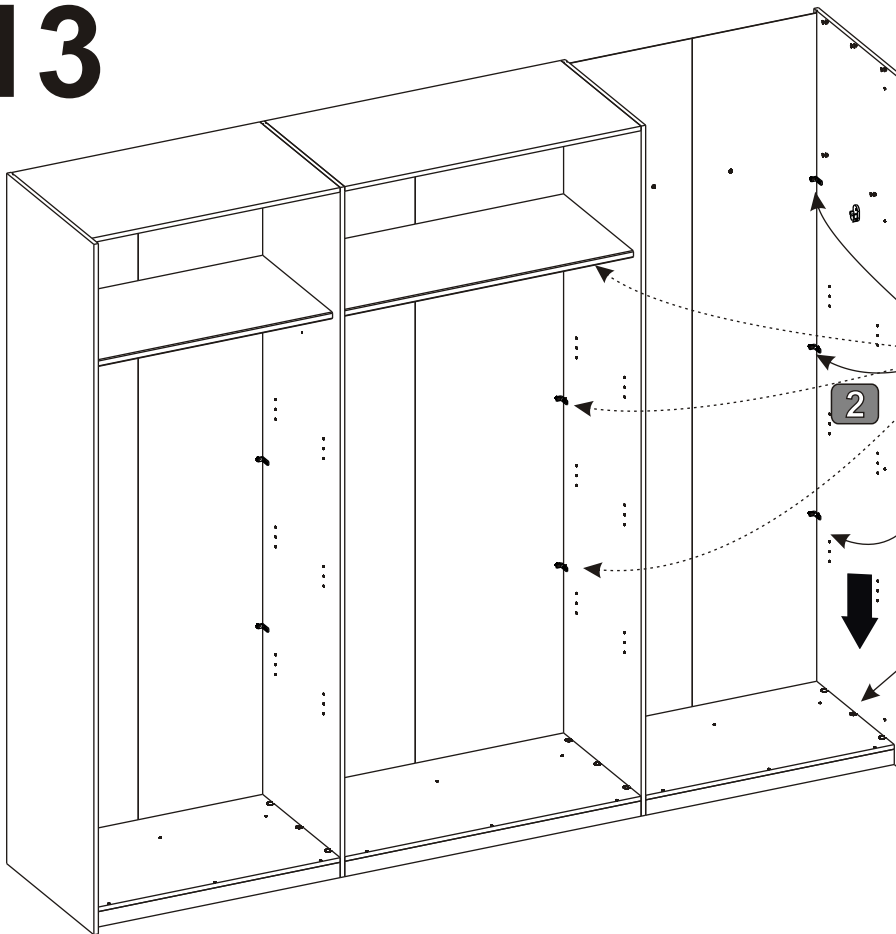
11



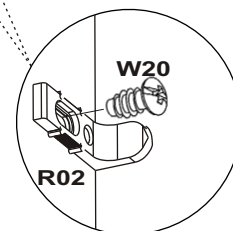
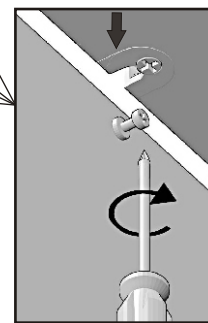
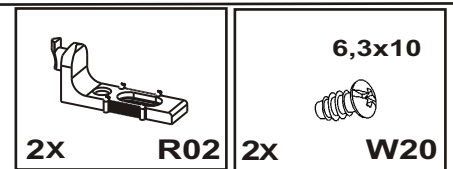
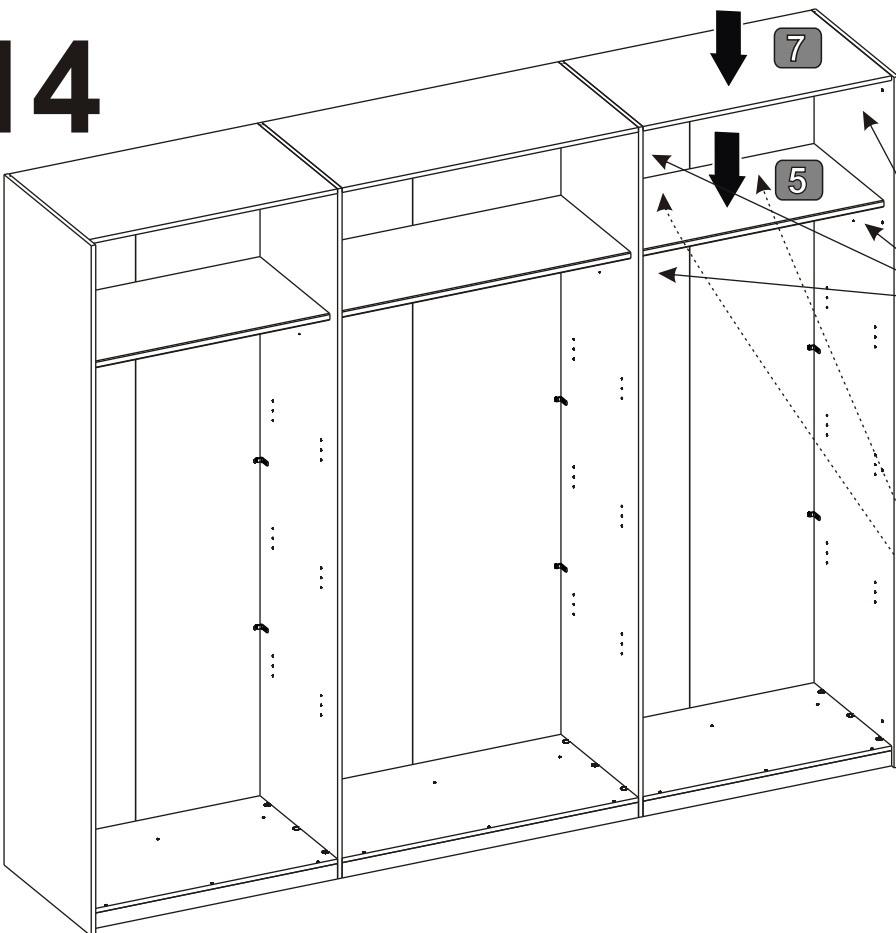
12



13



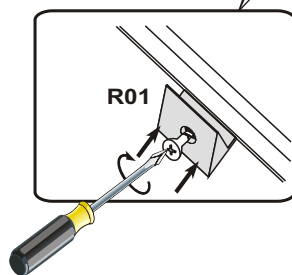
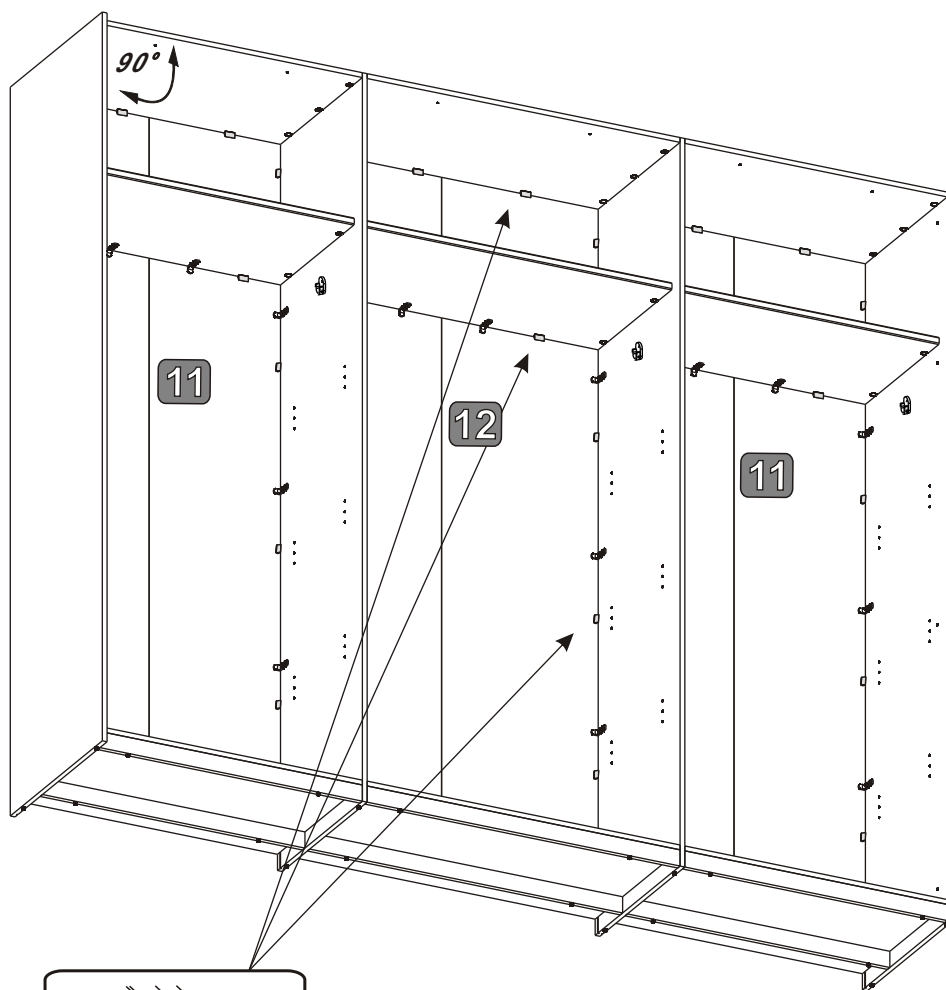
14



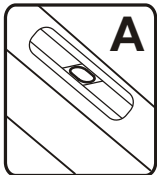
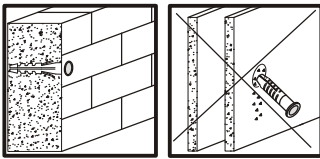
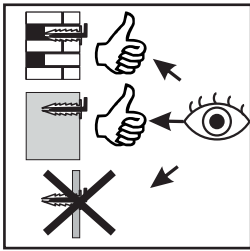
15



36X R01



16



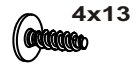
2x

F11



2x

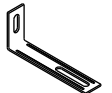
F01



4x13

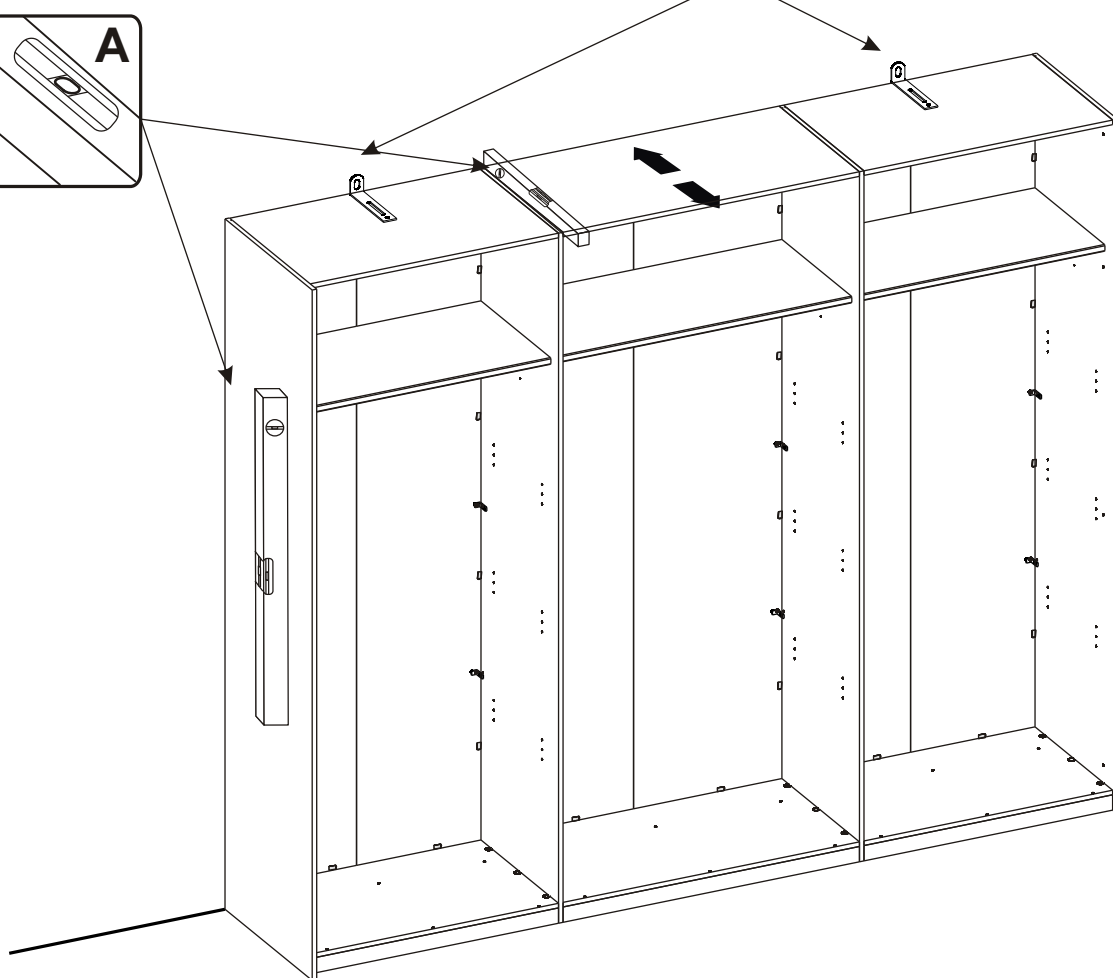
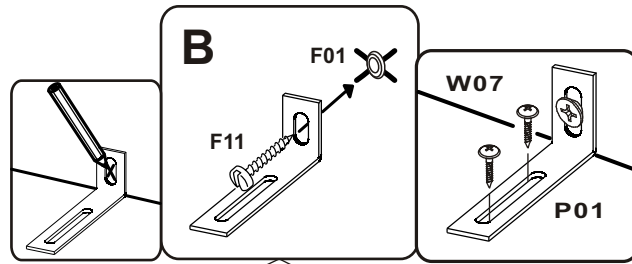
4x

W07

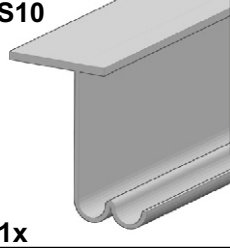
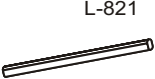





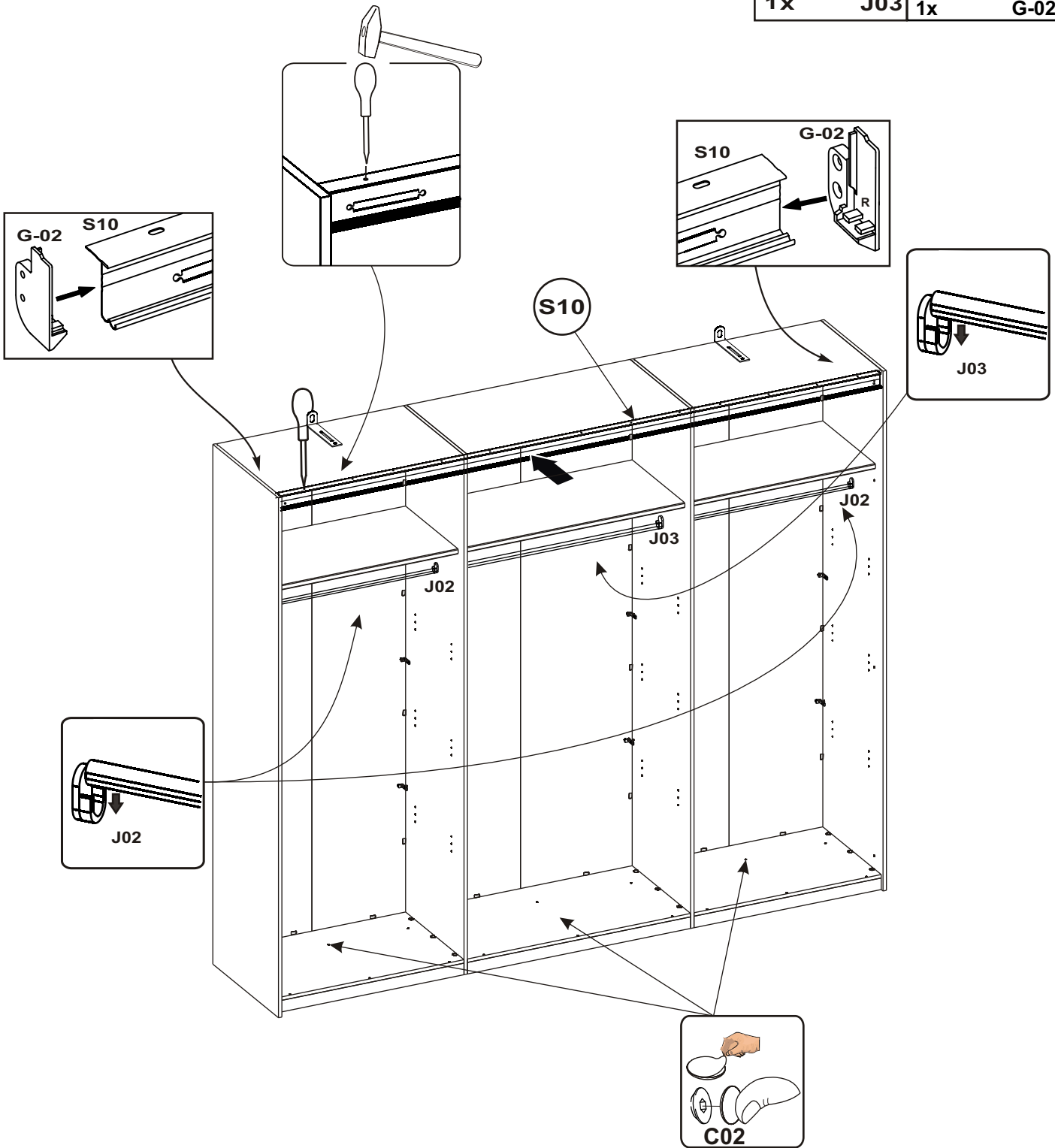
2x

P01



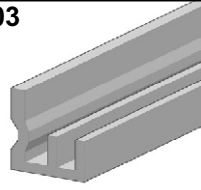
17

S10  1x	L-821  2x J02	 18 x C02
	L-979  1x J03	 1x G-02



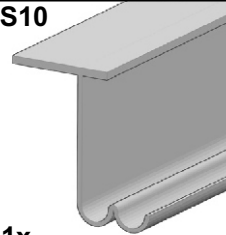
18

S03



1x

S10



1x

3,5x13



13X

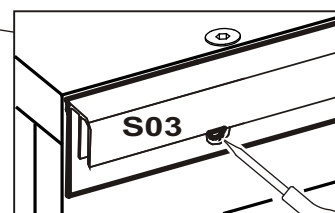
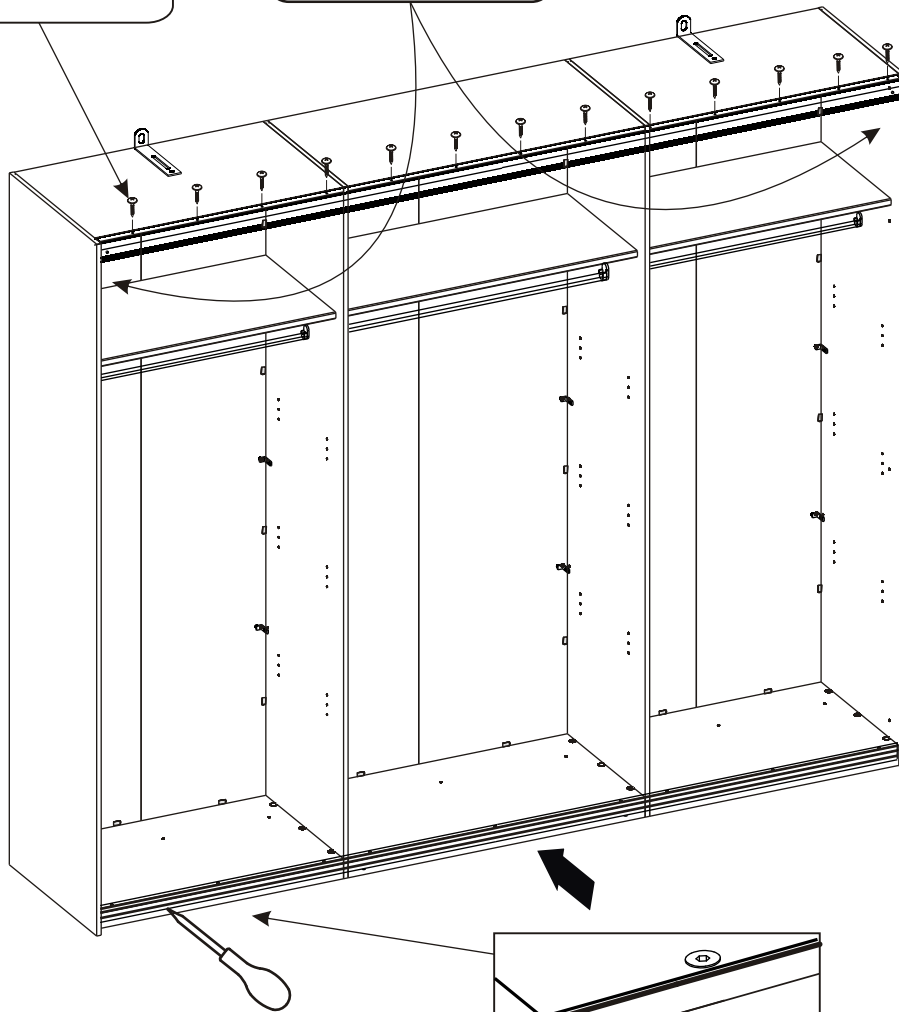
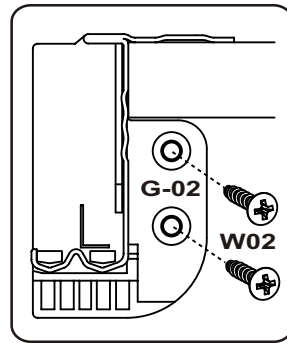
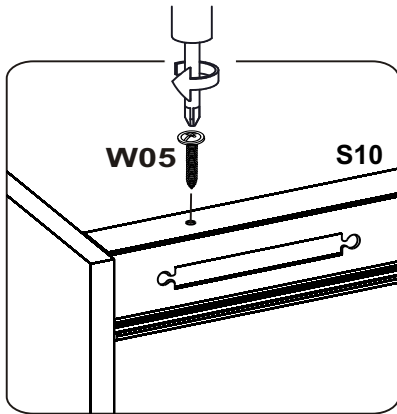
W05

3,5x13

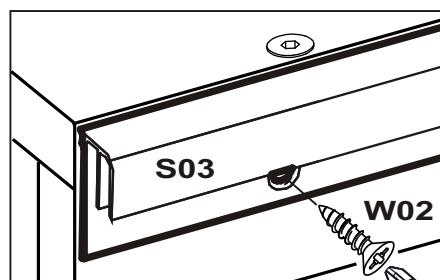
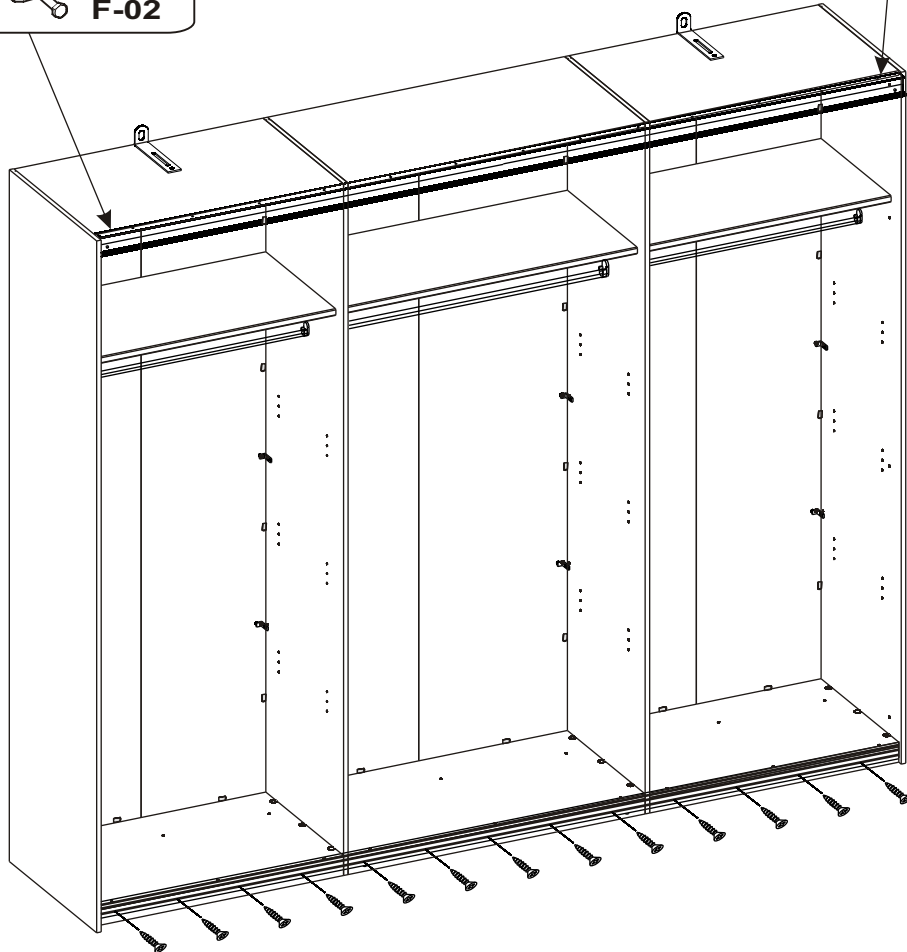
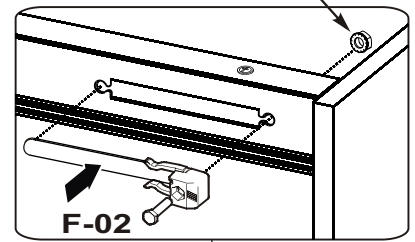
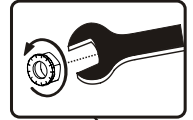
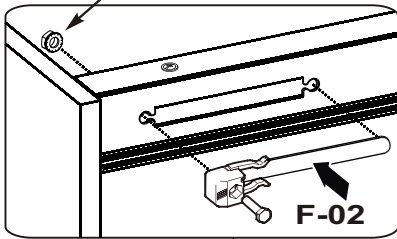
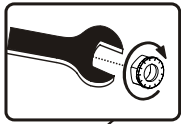
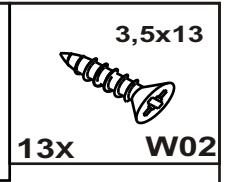
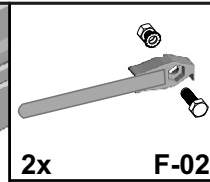
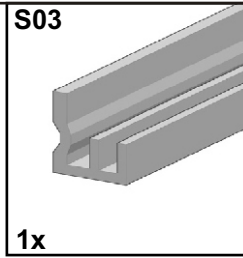


4X

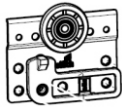


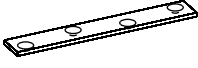
W02

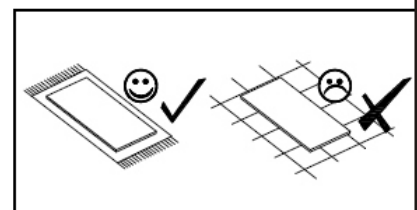
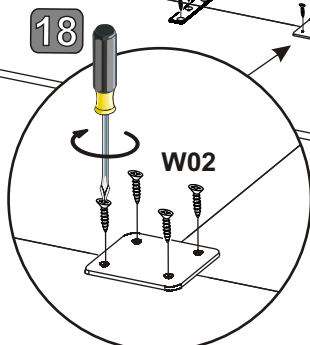
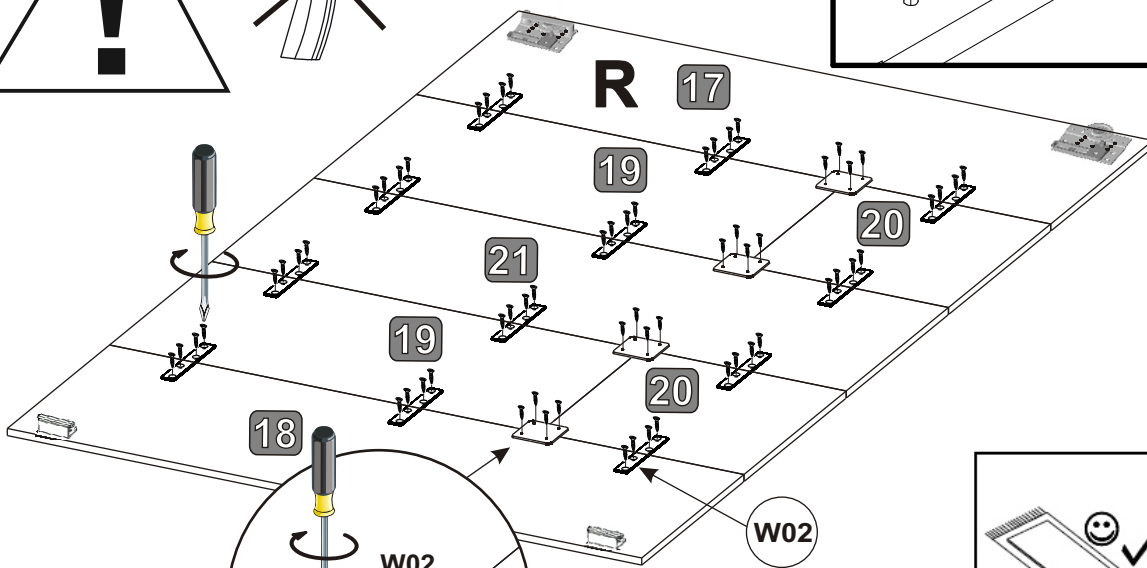
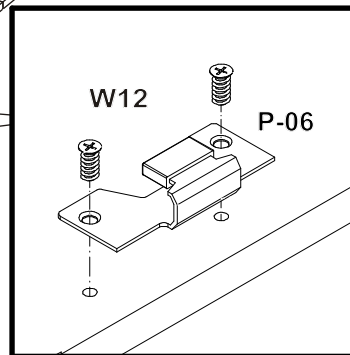
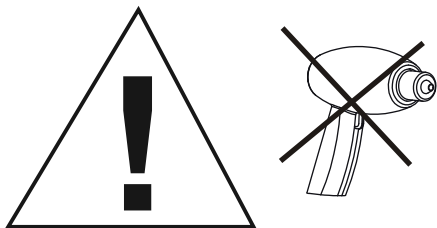
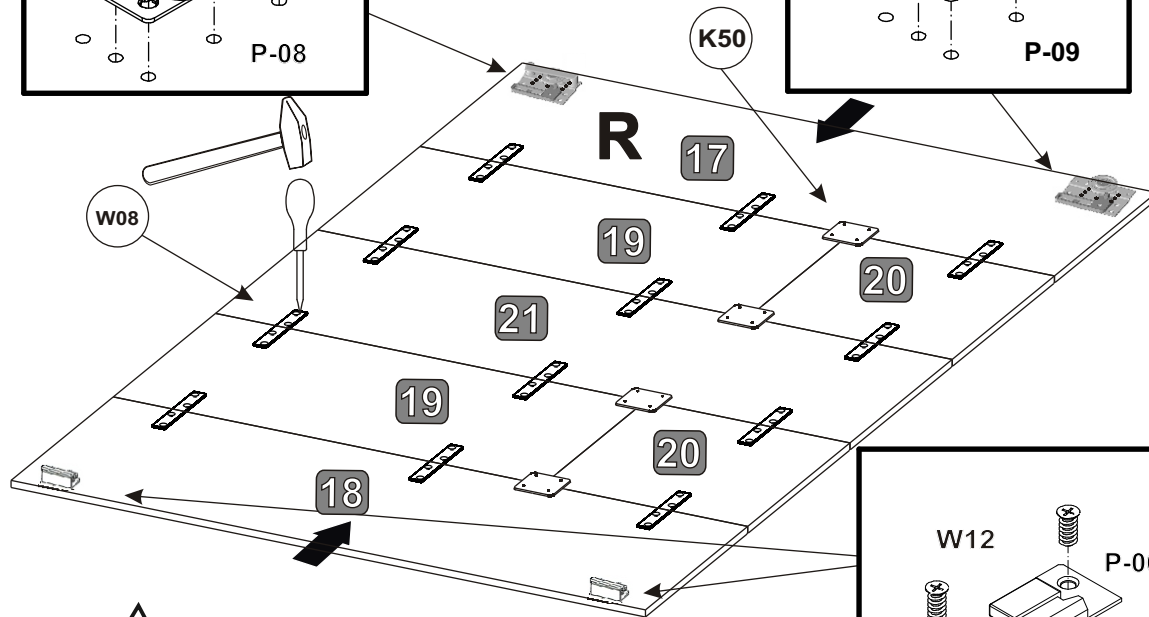
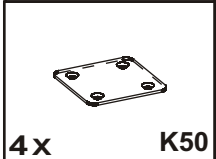
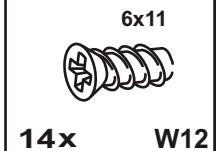
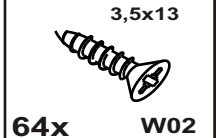
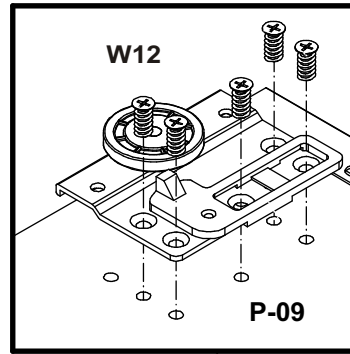
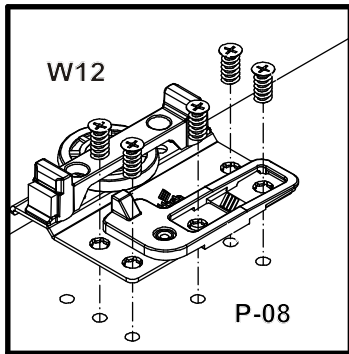


19

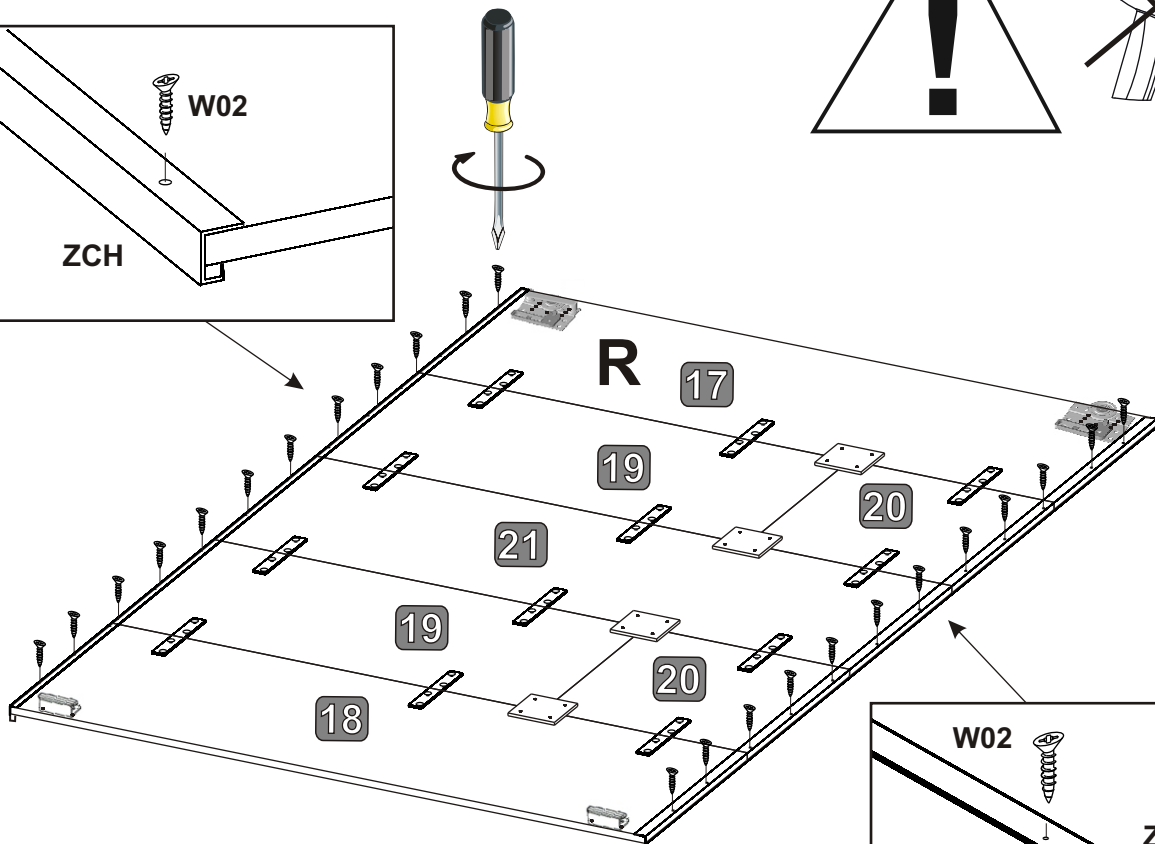
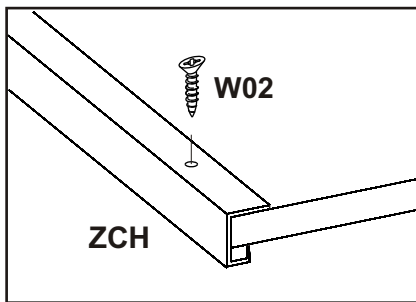
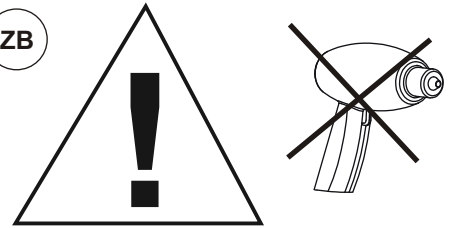
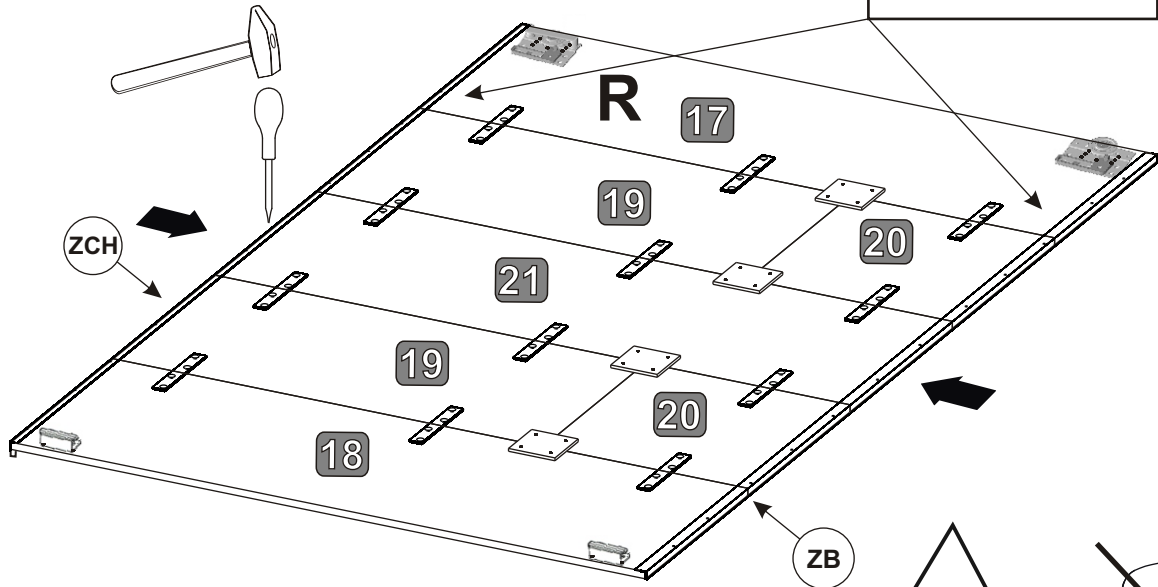
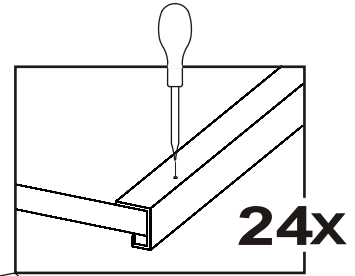
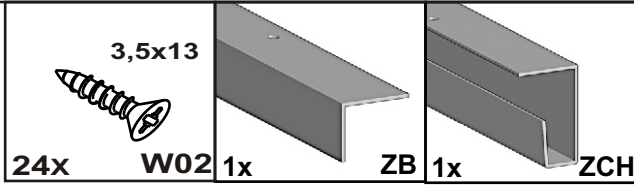


20

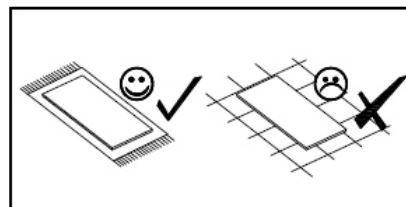
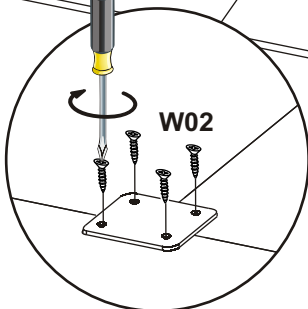
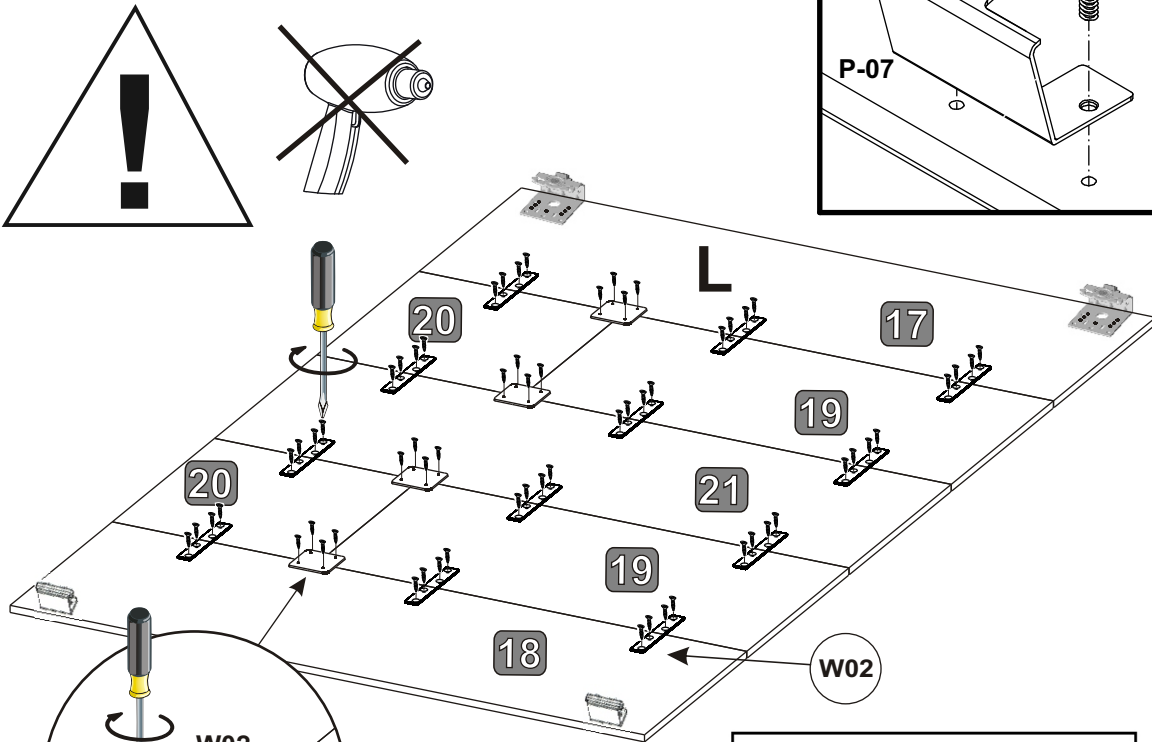
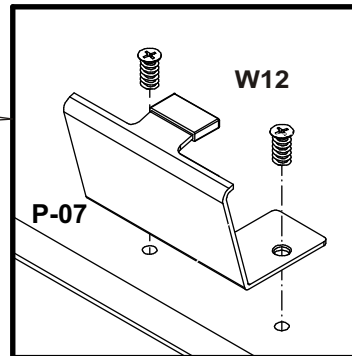
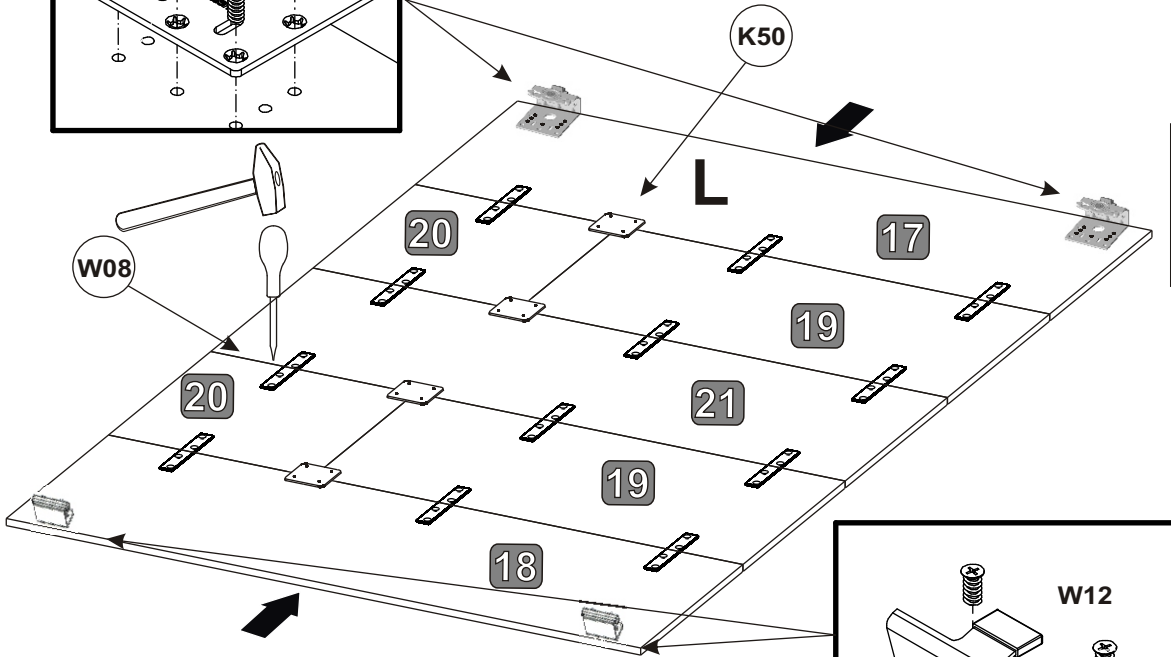
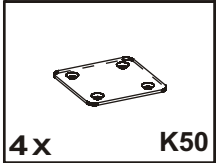
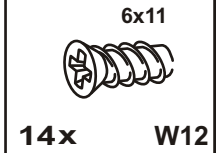
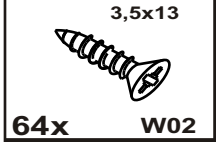
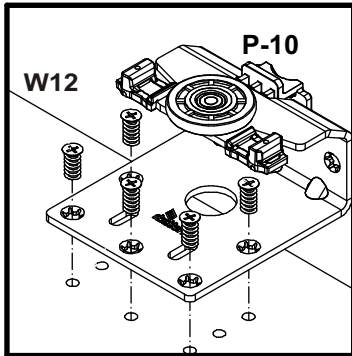
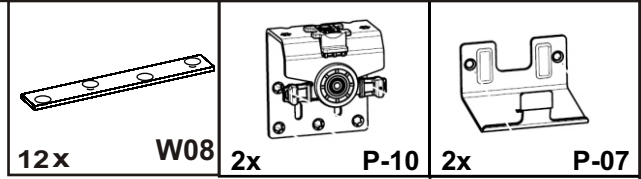
			
1x P-09	2x P-06	1x P-08	12x W08



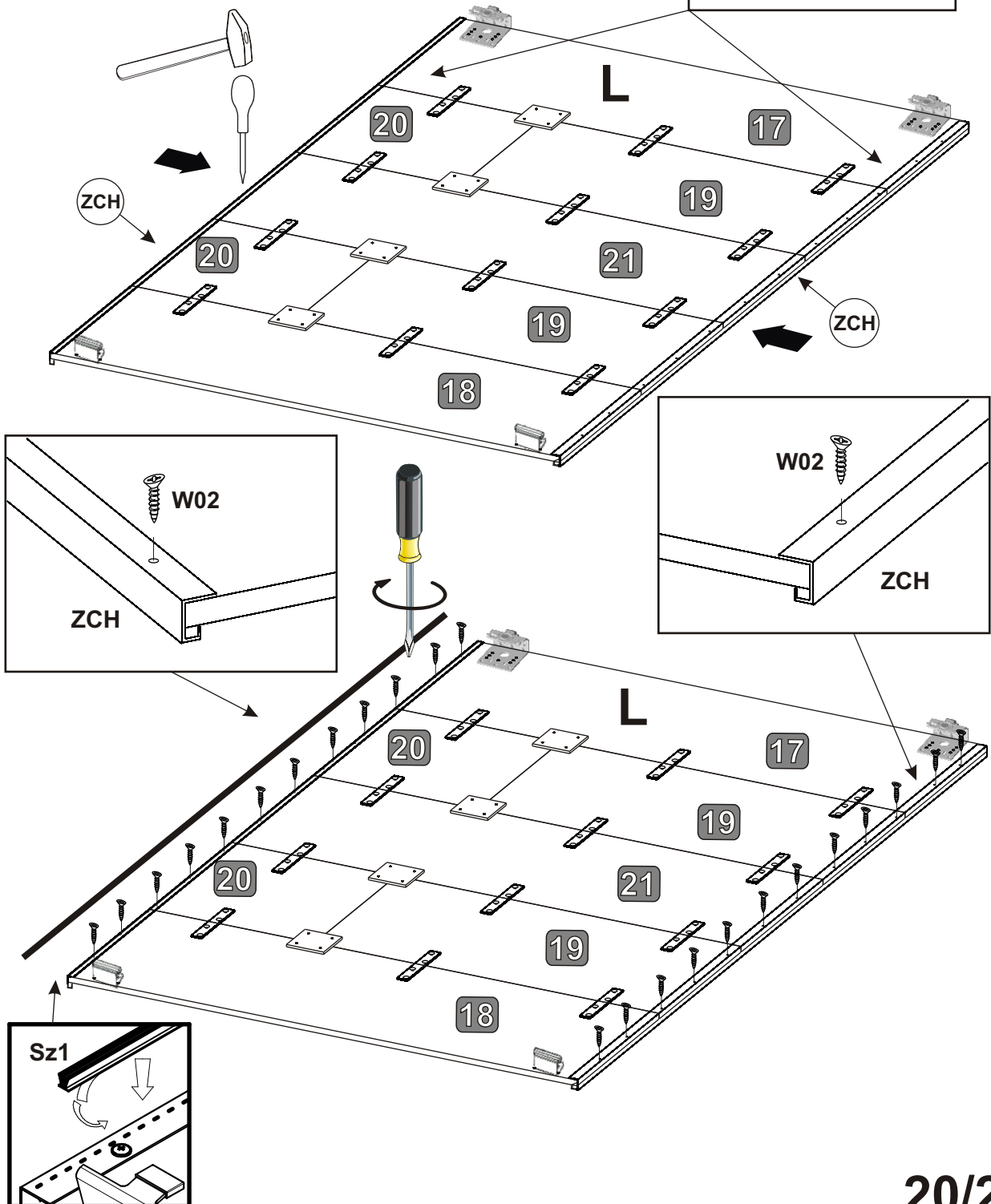
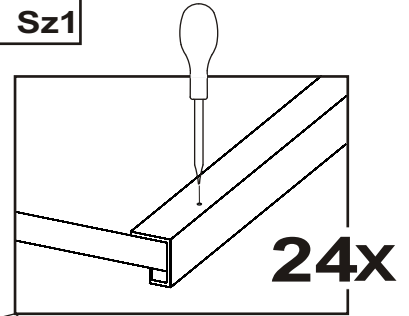
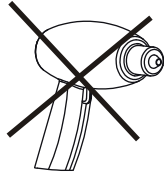
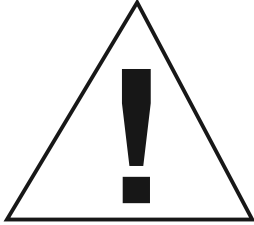
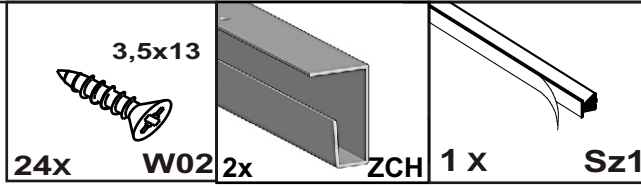
21



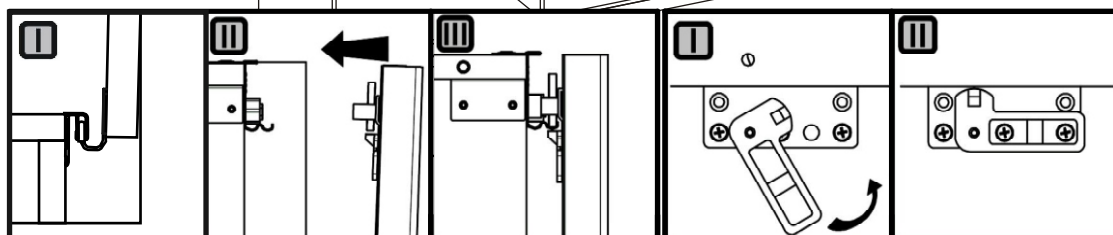
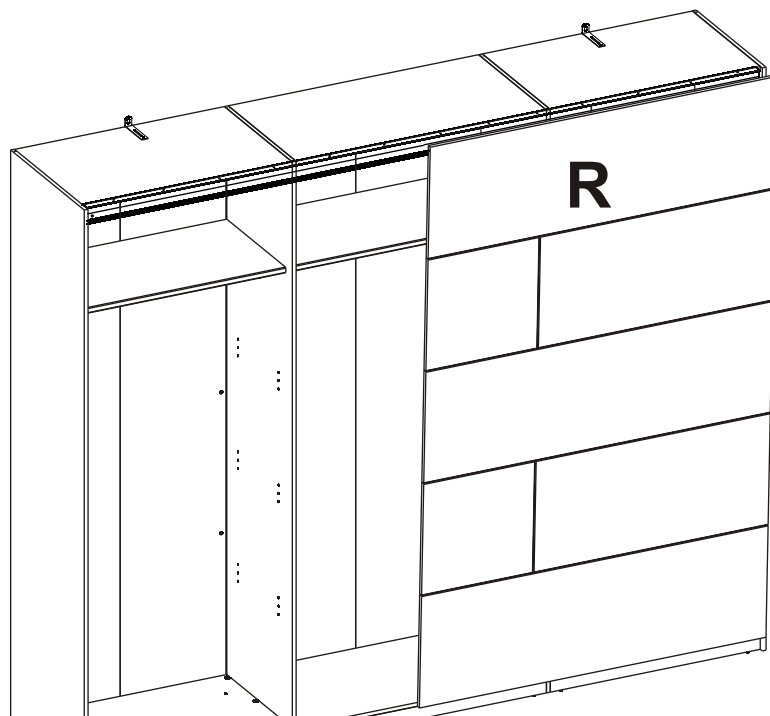
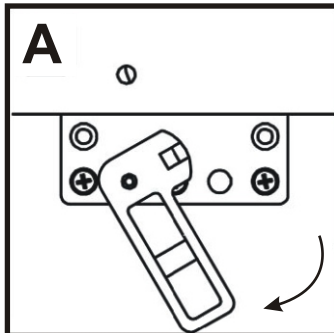
22



23



24



25

