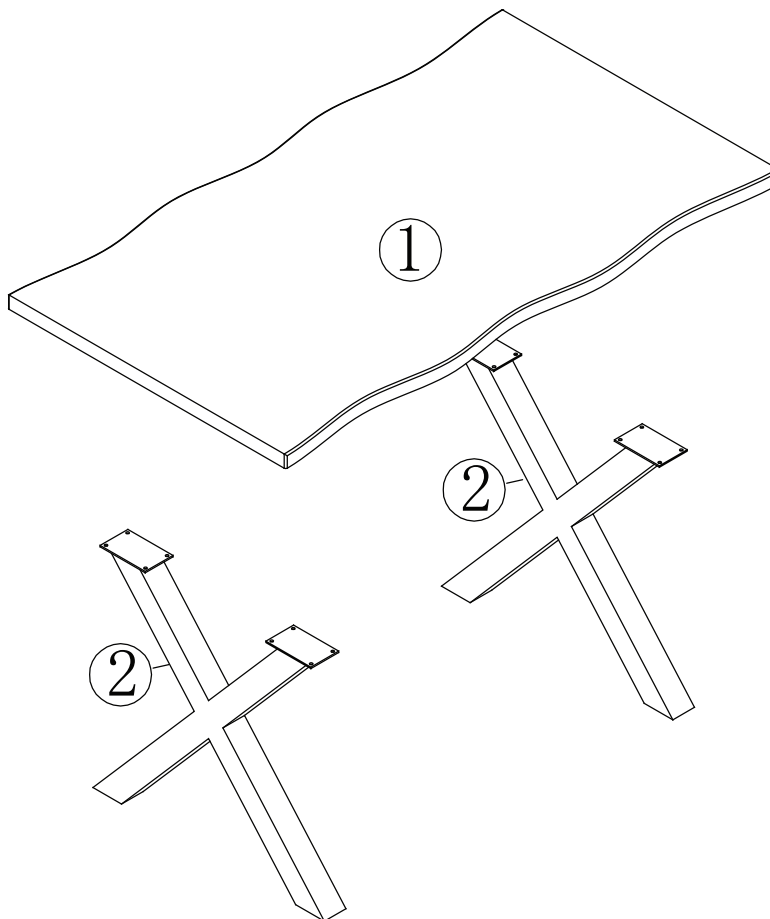
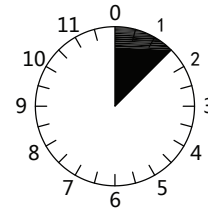
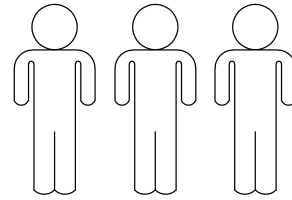
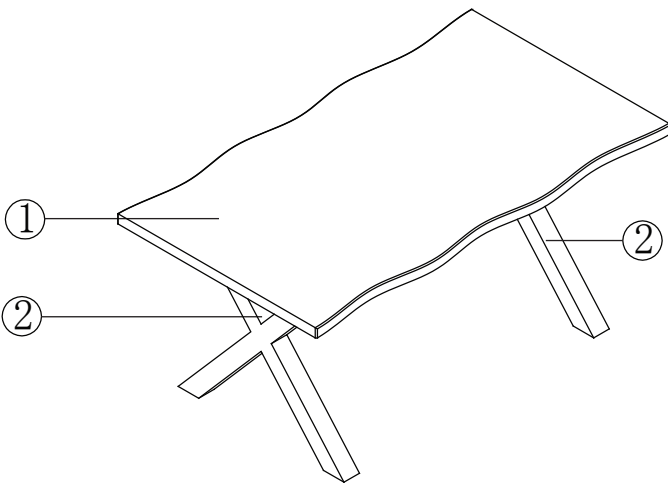


# Anette

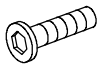

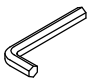


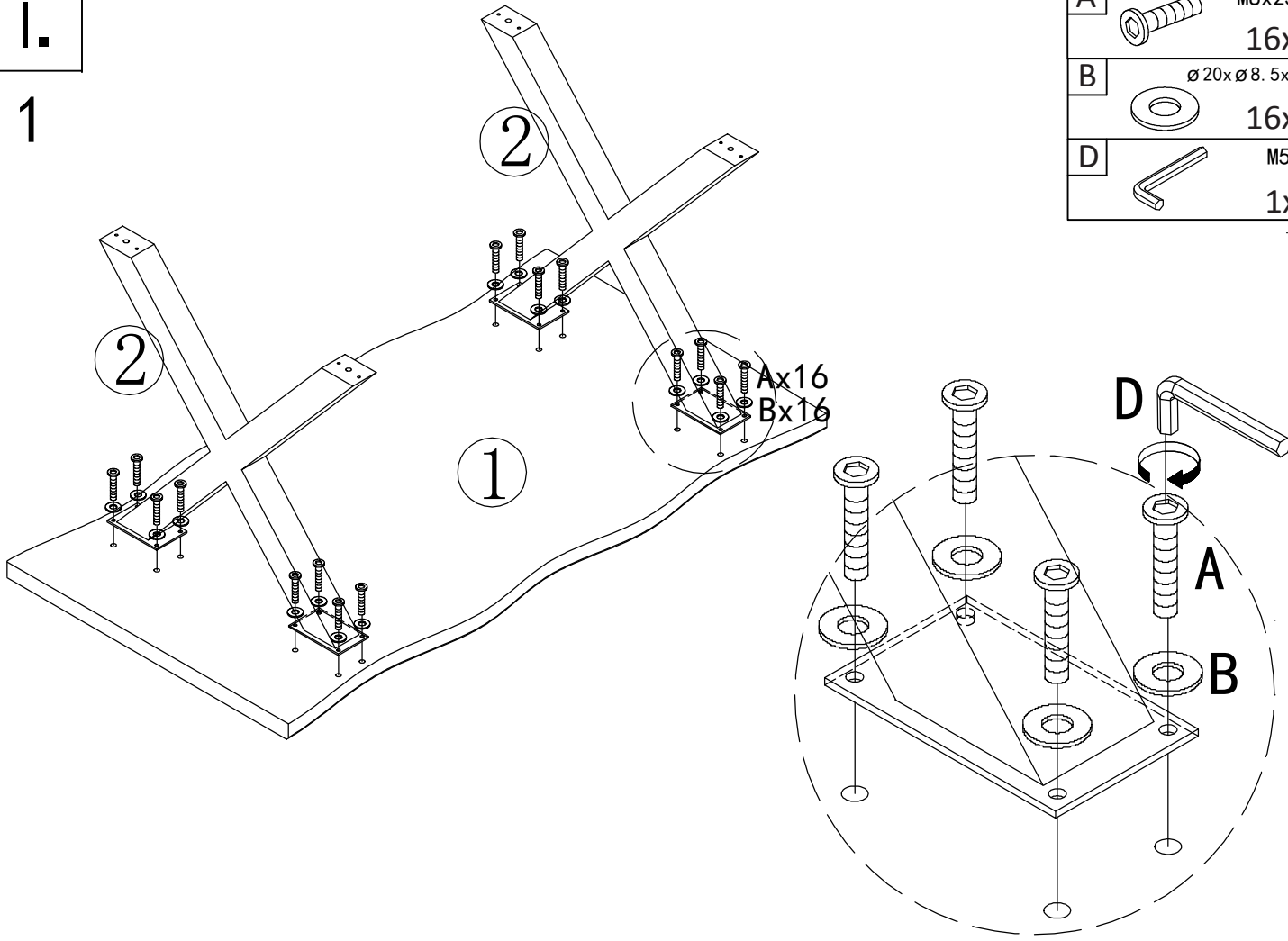
1	1x	1/2
2	2x	2/2

<b>A</b>	M8x25	<b>B</b>	ø 20xø 8.5x2	<b>C</b>	M8xø50x20	<b>D</b>	M5
	16x		16x		4x		1x


I.

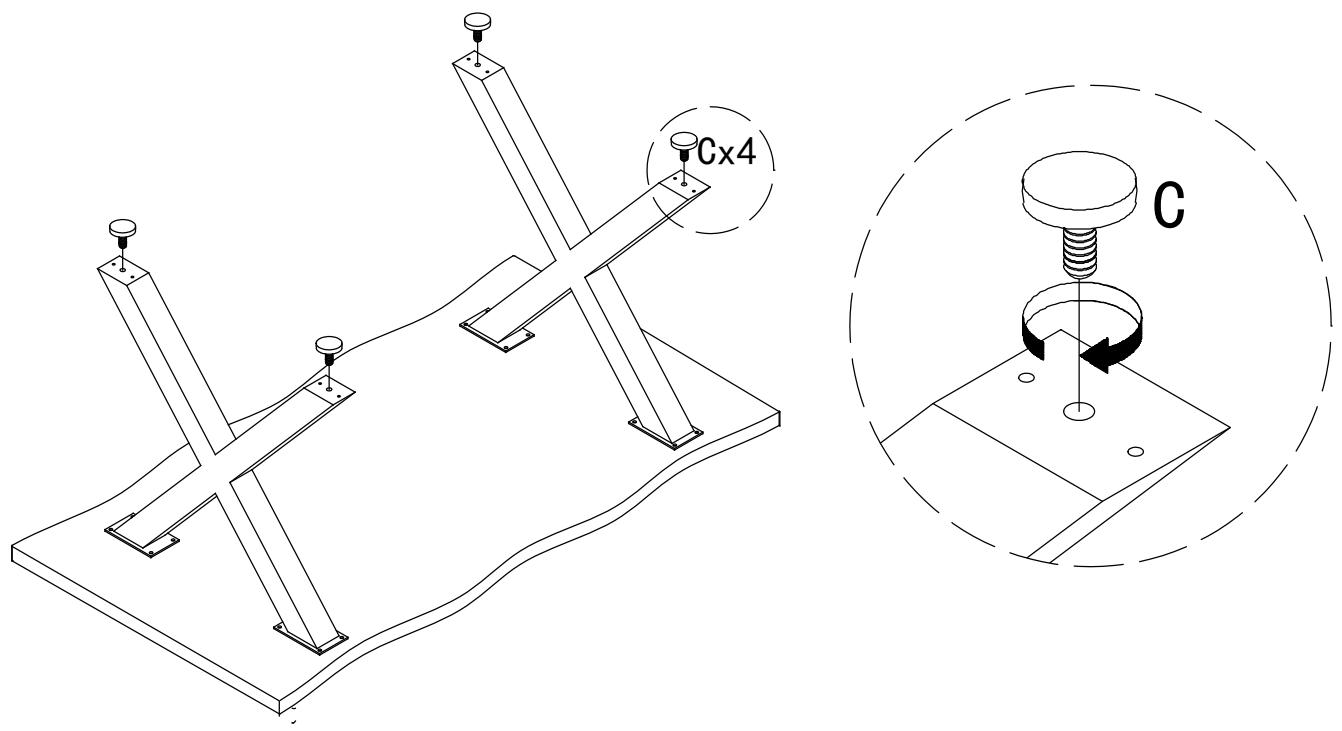
1

A		M8x25 16x
B		∅20x∅8.5x2 16x
D		M5 1x



2

C		M8x∅50x20 4x
---	---	-----------------



II.

3

